



US00D440299S

(12) **United States Design Patent**
Tseng

(10) **Patent No.:** **US D440,299 S**

(45) **Date of Patent:** **** Apr. 10, 2001**

(54) **STOVE**

(75) Inventor: **Chuen-Jong Tseng**, Chiayi Hsien (TW)

(73) Assignee: **Shin Yeh Enterprise Co., Ltd.**, Chiayi Hsien (TW)

(**) Term: **14 Years**

(21) Appl. No.: **29/123,709**

(22) Filed: **May 24, 2000**

(51) **LOC (7) Cl.** **23-03**

(52) **U.S. Cl.** **D23/402**

(58) **Field of Search** D23/402; D7/339,
D7/347; 220/4.27, 4.04, 22.83; 126/9 R,
15 R, 65, 25 R

(56) **References Cited**

U.S. PATENT DOCUMENTS

D. 420,441 * 2/2000 Hall D23/402

* cited by examiner

Primary Examiner—Mitchell Siegel
(74) *Attorney, Agent, or Firm*—Ladas & Parry

(57) **CLAIM**

The ornamental design for stove, as shown and described.

DESCRIPTION

FIG. 1 is a perspective view of stove showing my new design;

FIG. 2 is a front elevational view thereof;

FIG. 3 is a rear elevational view thereof;

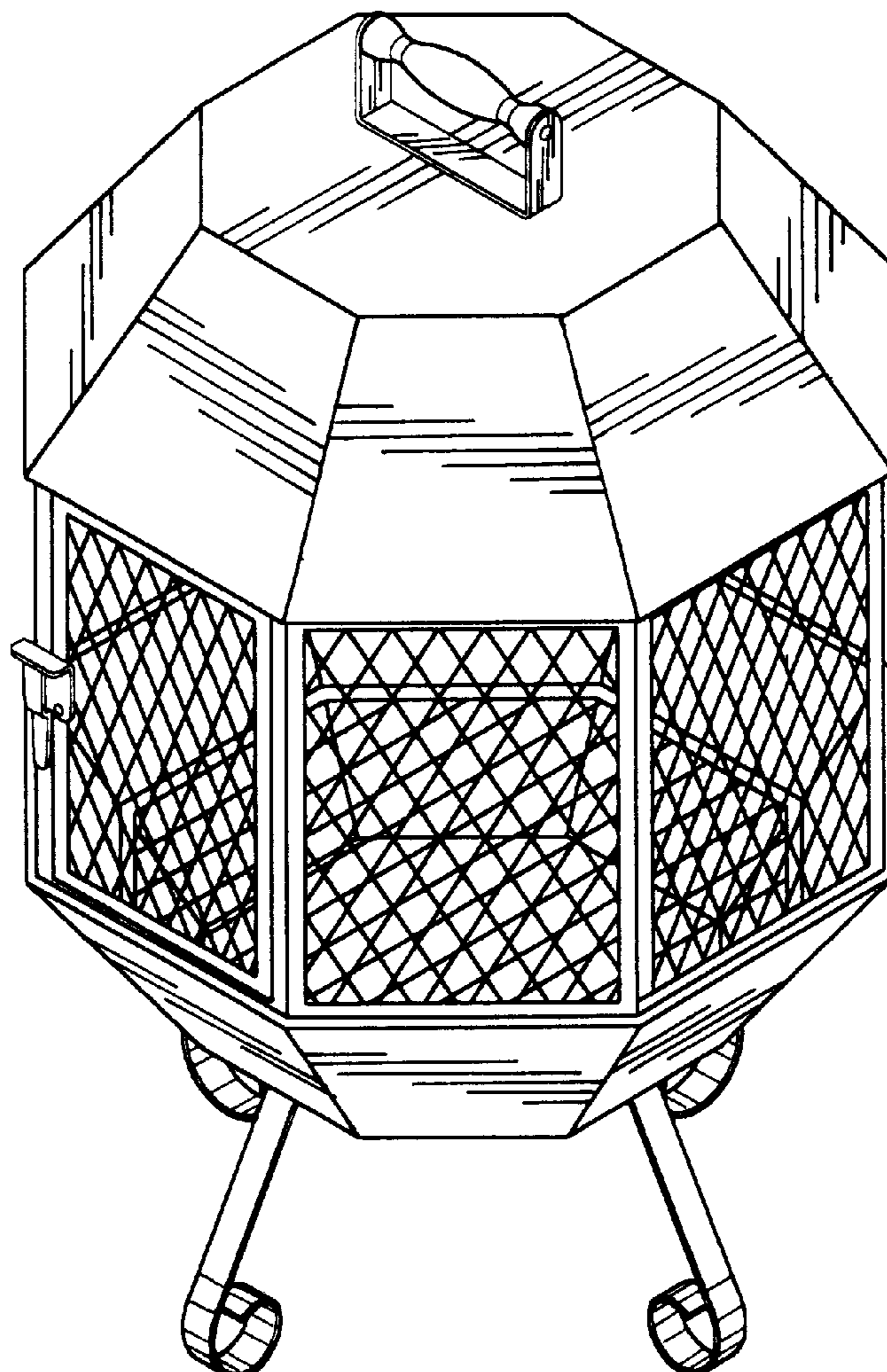
FIG. 4 is a left side elevational view thereof;

FIG. 5 is a right side elevational view thereof;

FIG. 6 is a top plan view thereof; and,

FIG. 7 is a bottom plan view thereof.

1 Claim, 4 Drawing Sheets



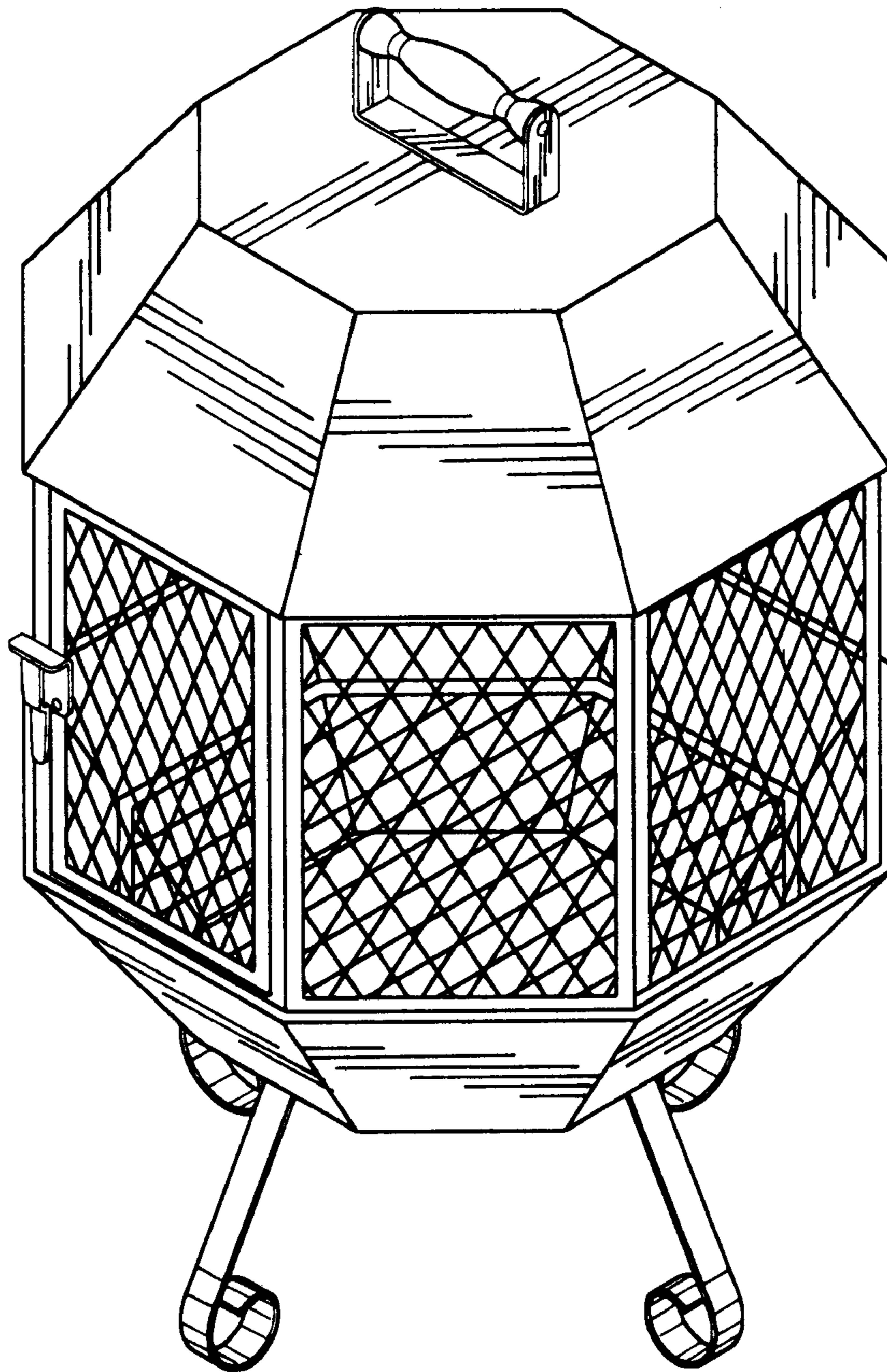


FIG. 1

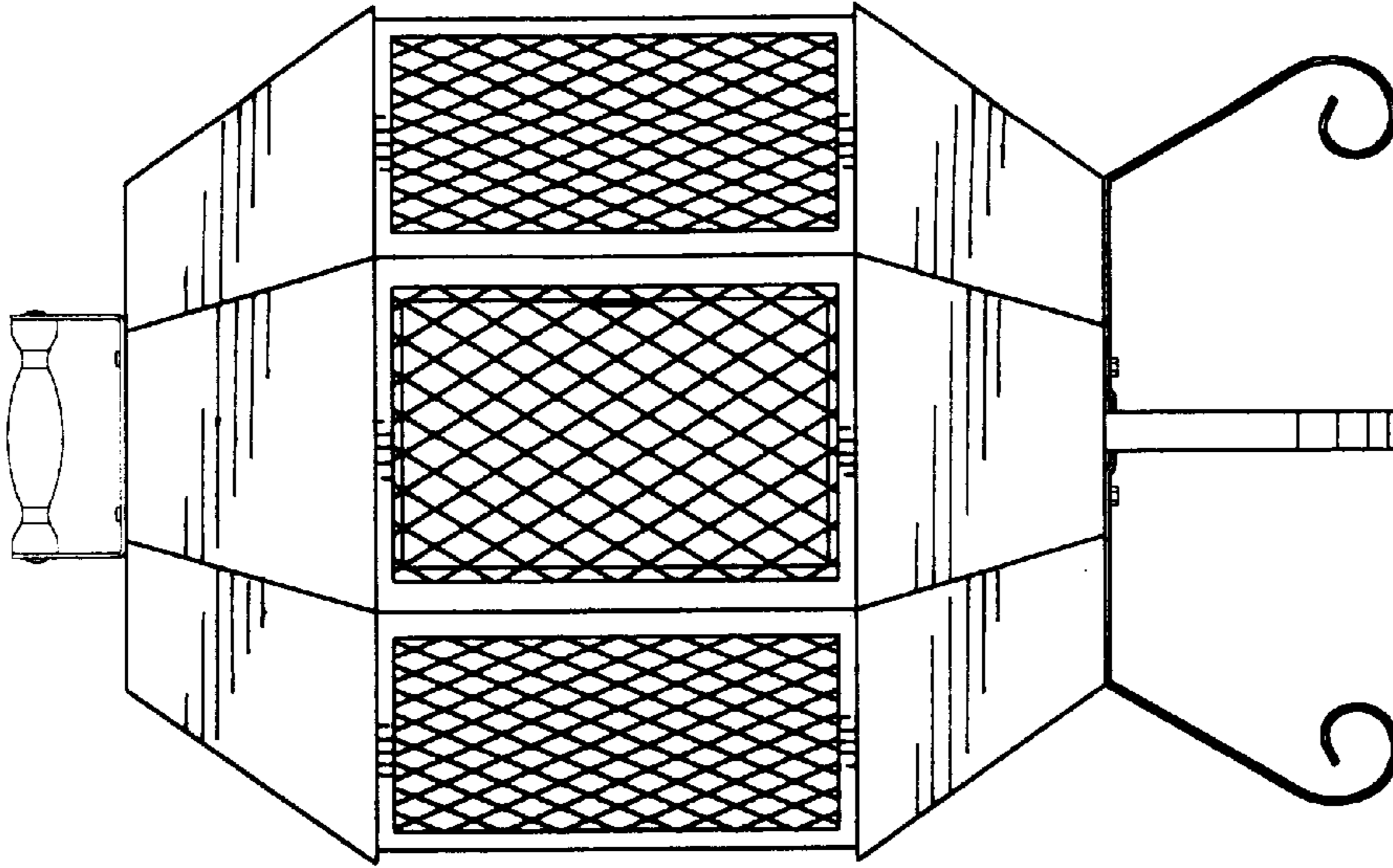


FIG. 3

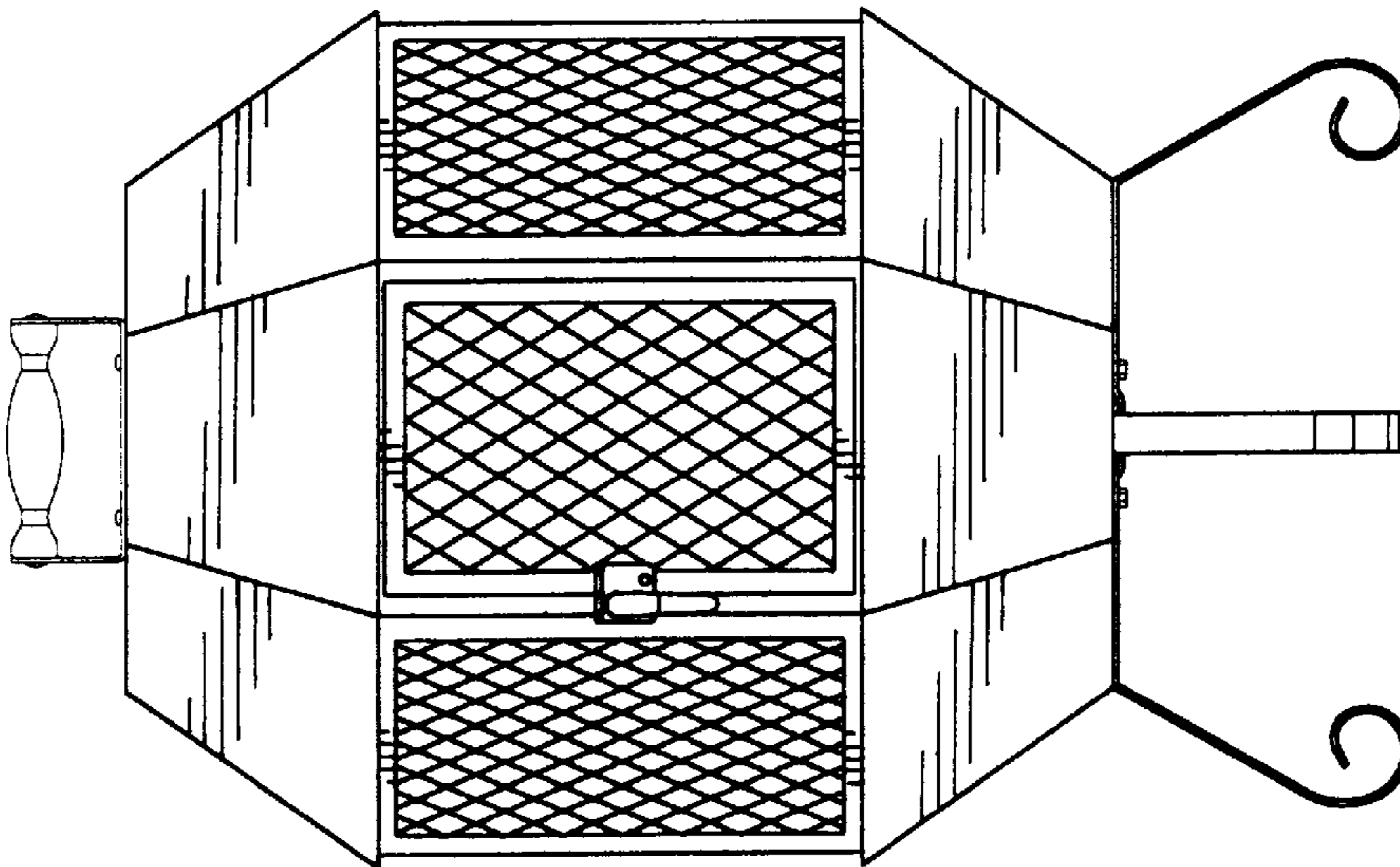


FIG. 2

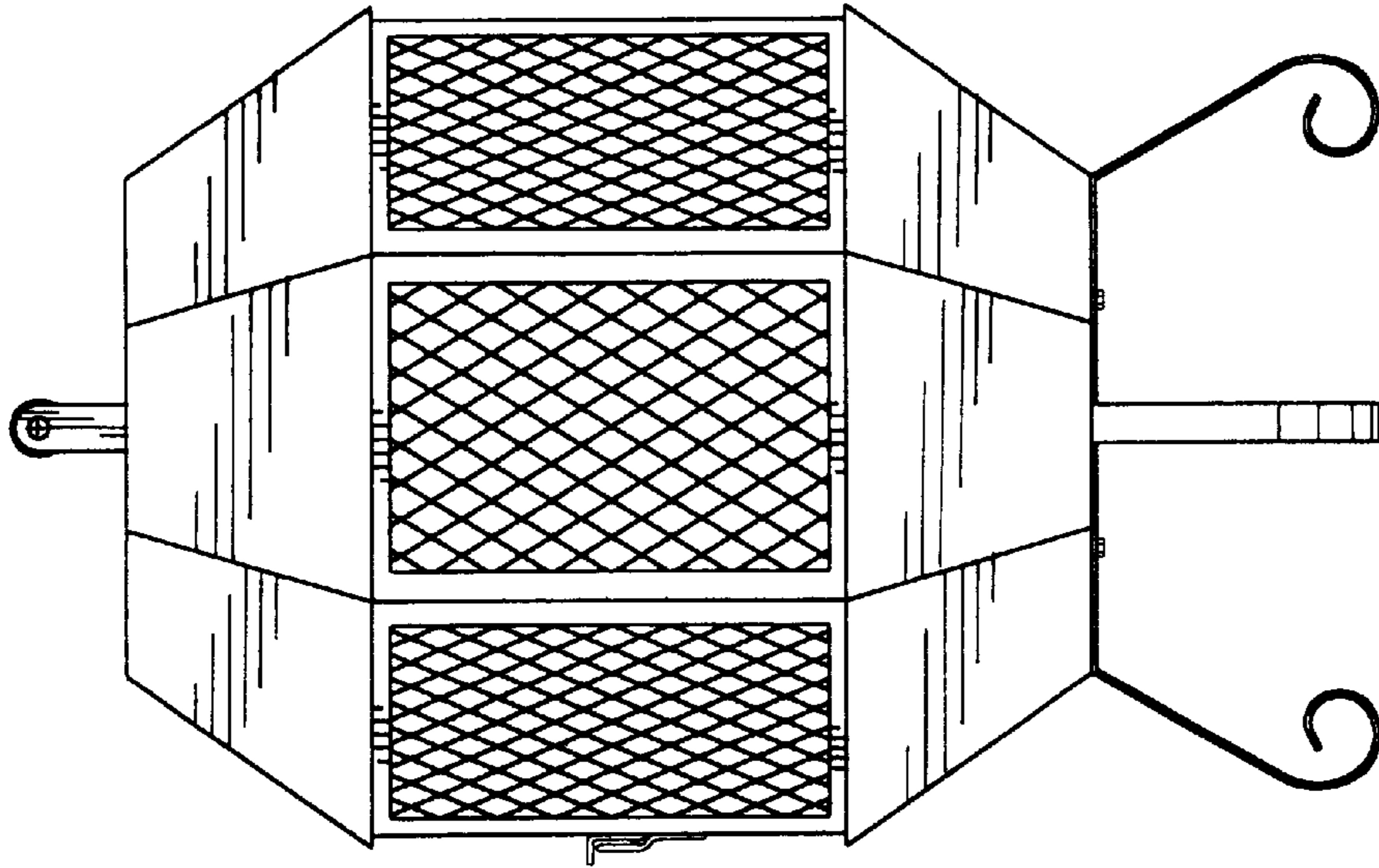


FIG. 4

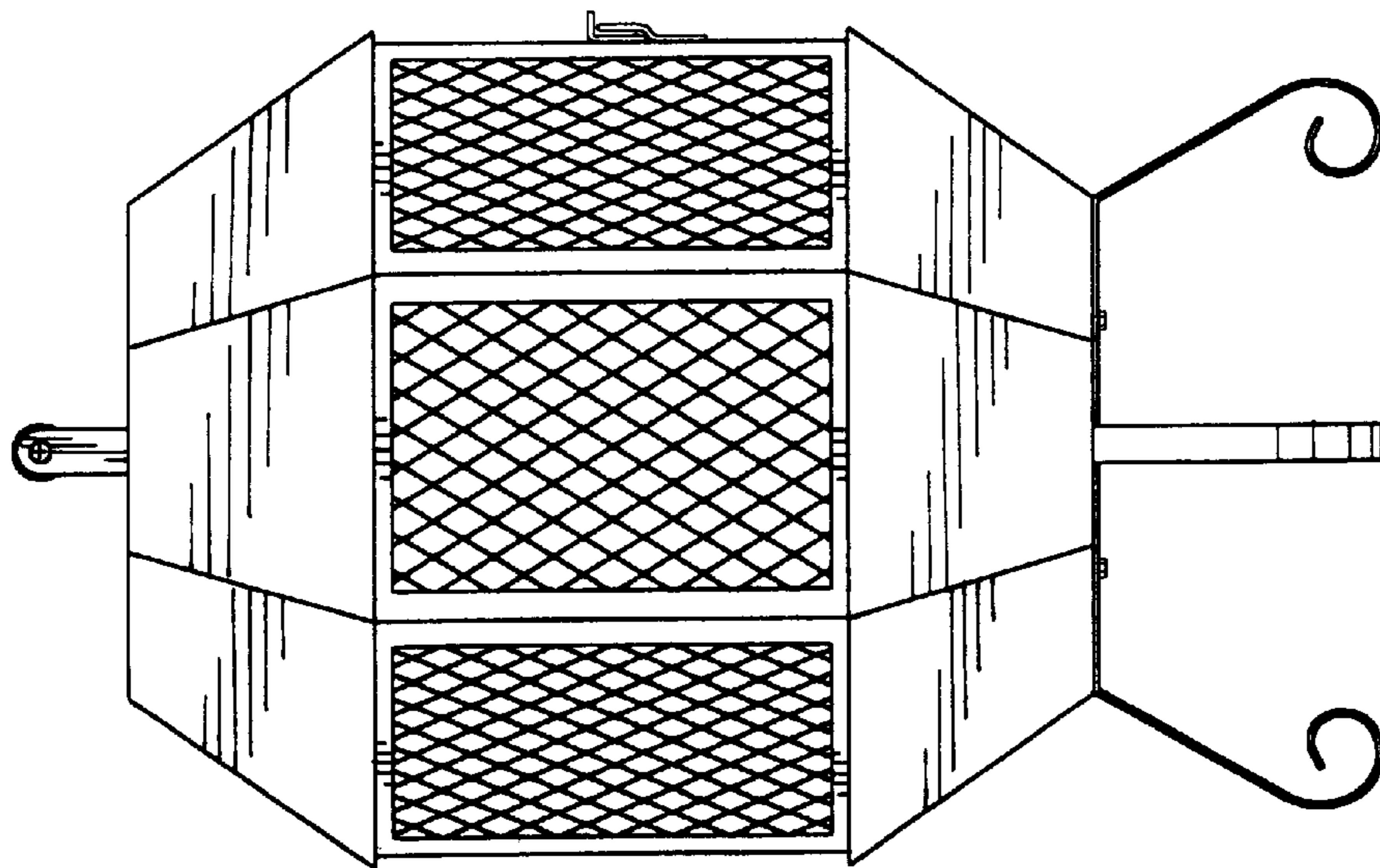


FIG. 5

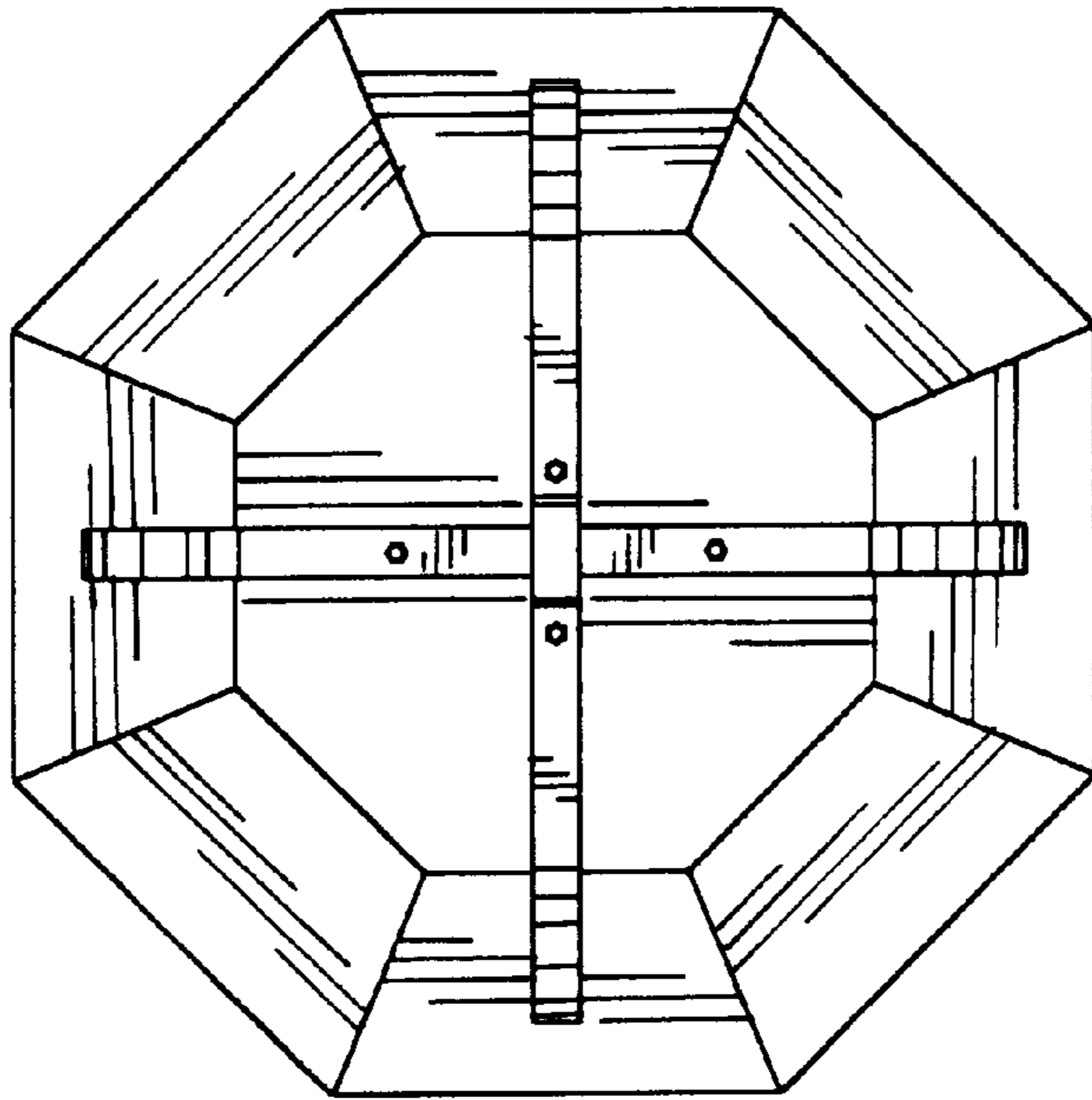


FIG. 7

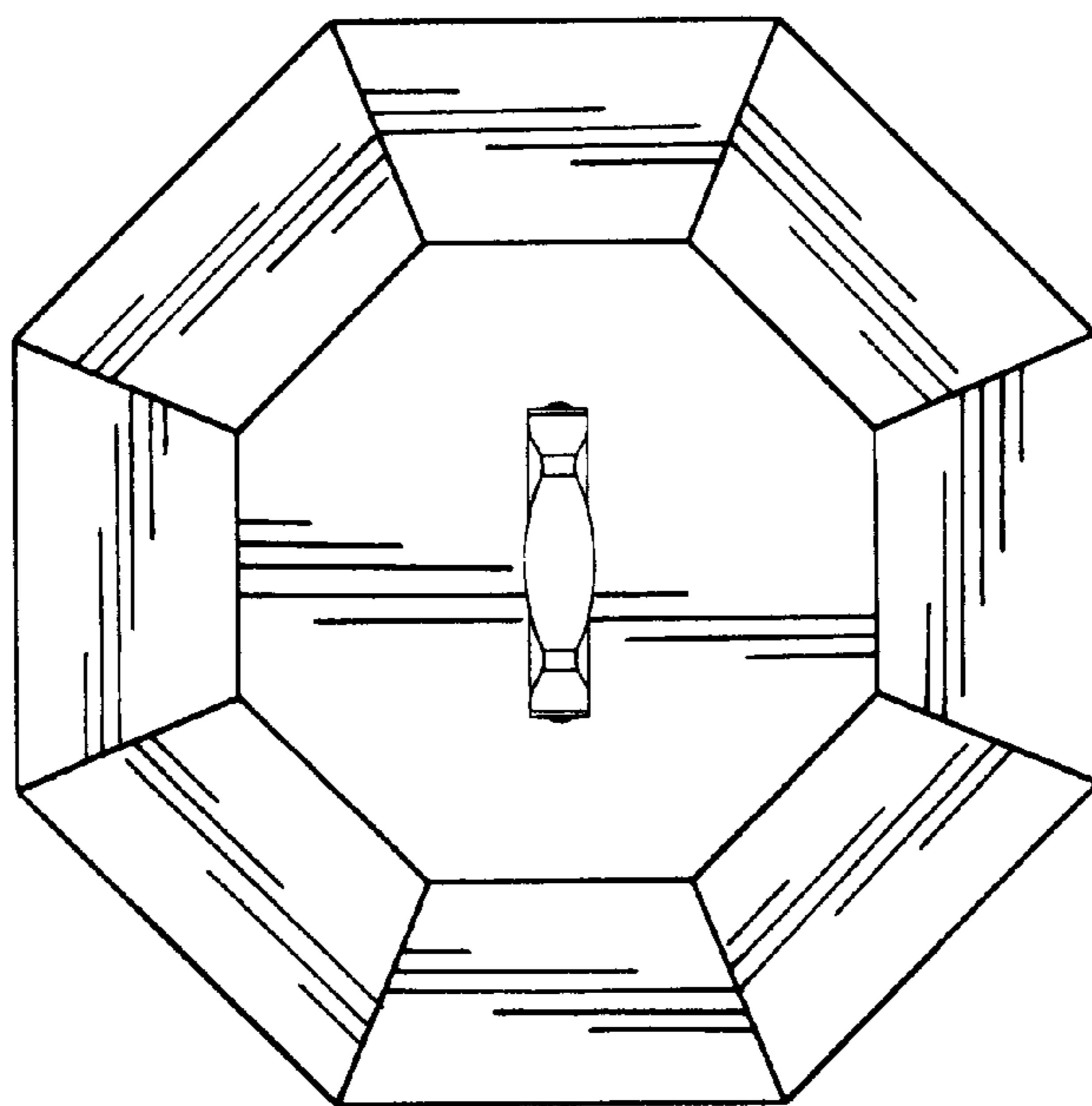


FIG. 6