



US00D440295S

(12) **United States Design Patent**
Honma

(10) **Patent No.:** **US D440,295 S**

(45) **Date of Patent:** **** Apr. 10, 2001**

(54) **AIR FILTER**

(75) **Inventor:** **Hitoshi Honma, Toyosaka (JP)**

(73) **Assignee:** **Koganei Corporation, Tokyo (JP)**

(**) **Term:** **14 Years**

(21) **Appl. No.:** **29/128,028**

(22) **Filed:** **Aug. 16, 2000**

(30) **Foreign Application Priority Data**

Feb. 23, 2000 (JP) 12-003499

(51) **LOC (7) Cl.** **23-04**

(52) **U.S. Cl.** **D23/365**

(58) **Field of Search** **D23/365; 55/DIG. 31,**
55/501

(56) **References Cited**
PUBLICATIONS

AF1000-6000, pp. 905-906.

Primary Examiner—Lisa Lichtenstein

(74) *Attorney, Agent, or Firm*—McCormick, Paulding & Huber LLP

(57) **CLAIM**

The ornamental design for an air filter, as shown and described.

DESCRIPTION

FIG. 1 is a perspective view of an air filter showing my new design;

FIG. 2 is a front elevational view thereof;

FIG. 3 is a right side view thereof;

FIG. 4 is a top plan view thereof; and,

FIG. 5 is a bottom plan view thereof.

1 Claim, 5 Drawing Sheets

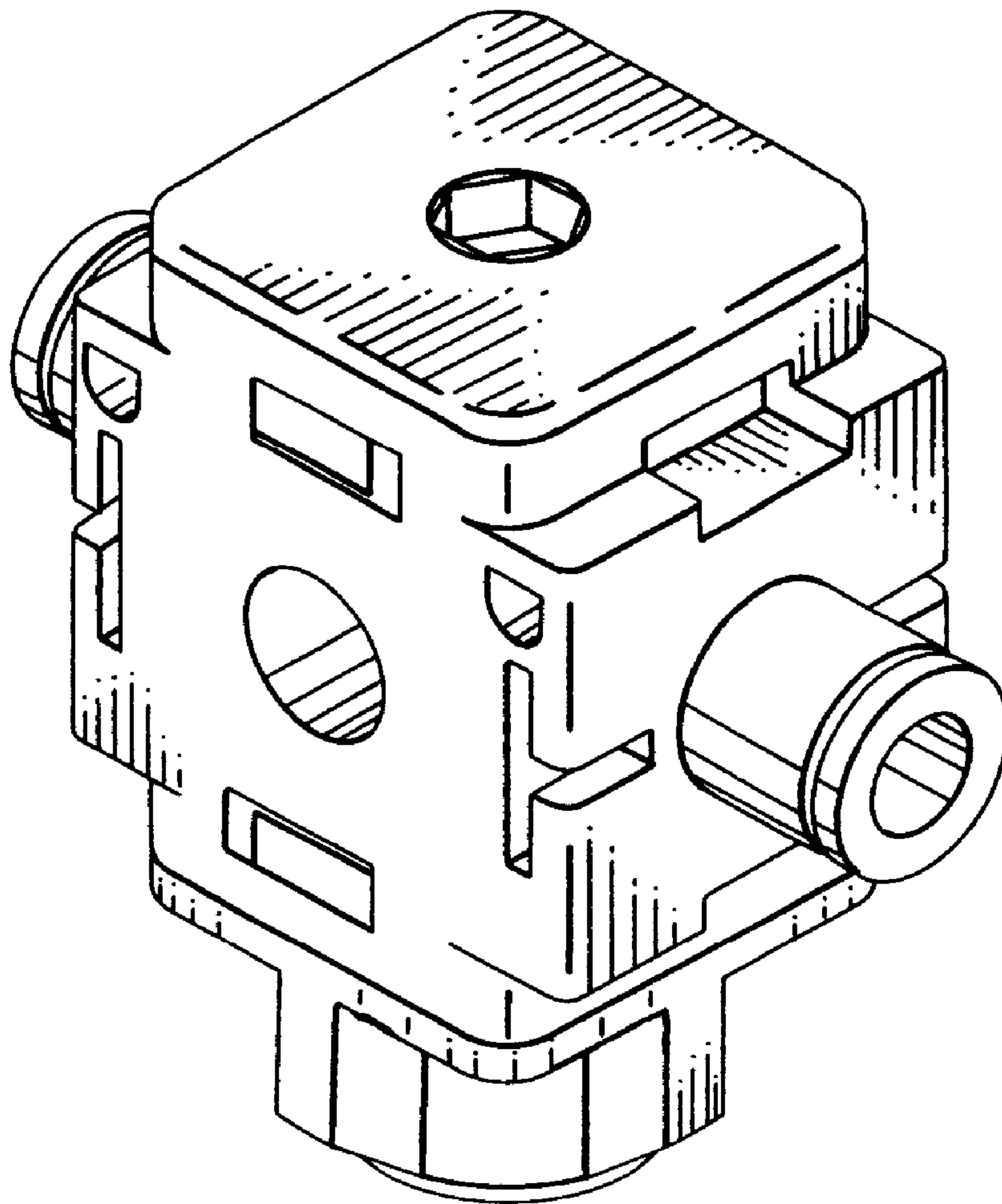


FIG. 1

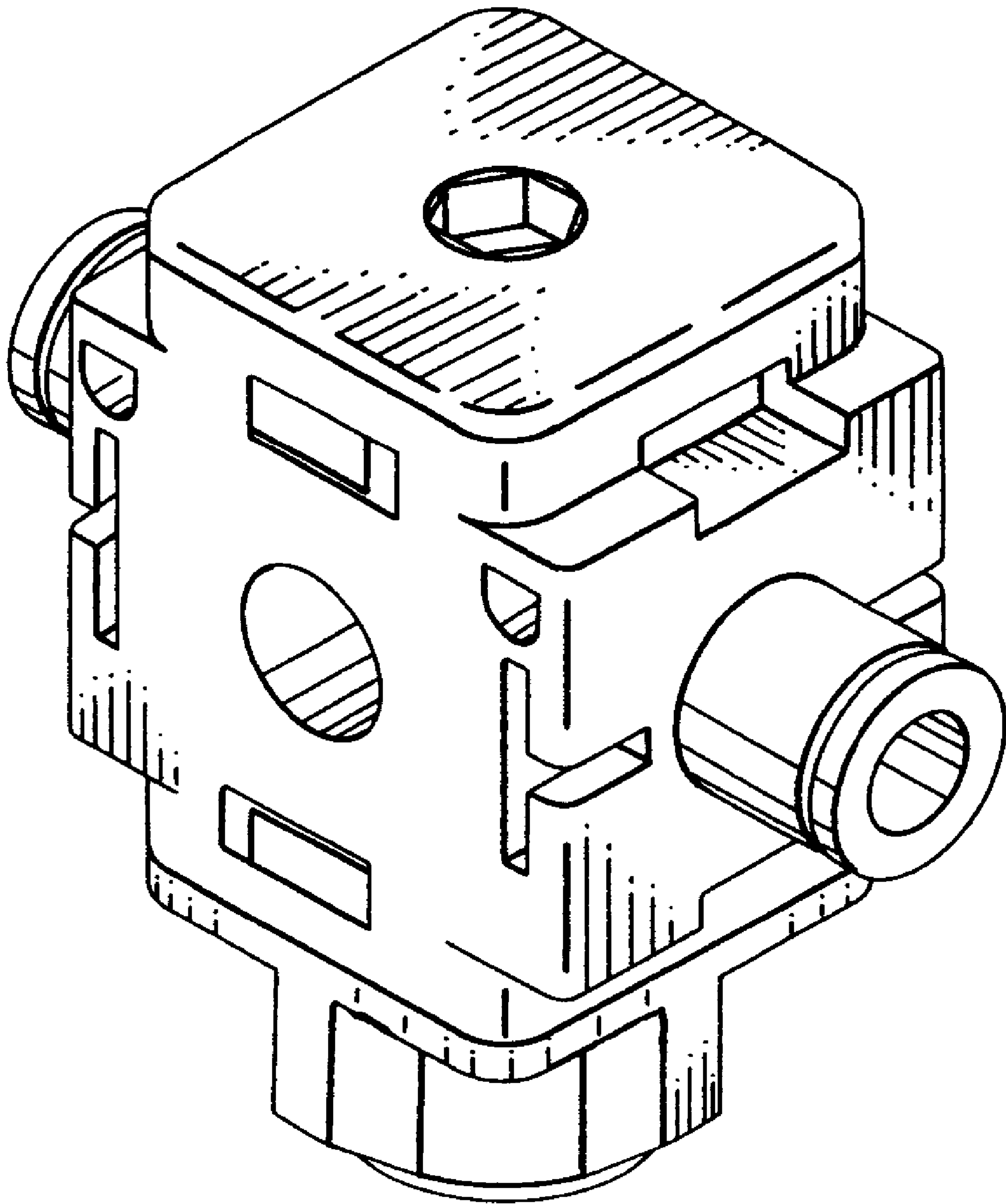


FIG. 2

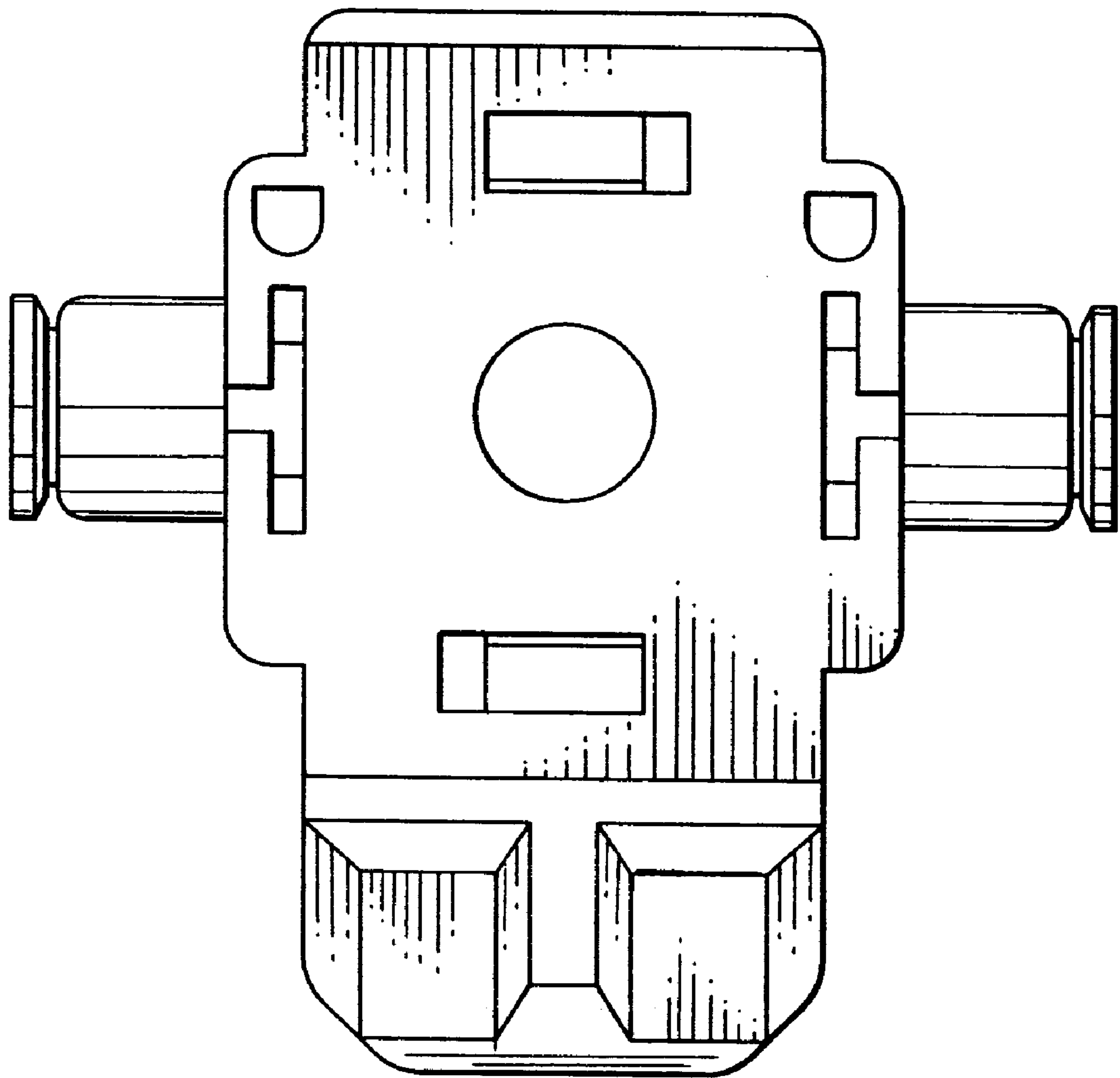


FIG. 3

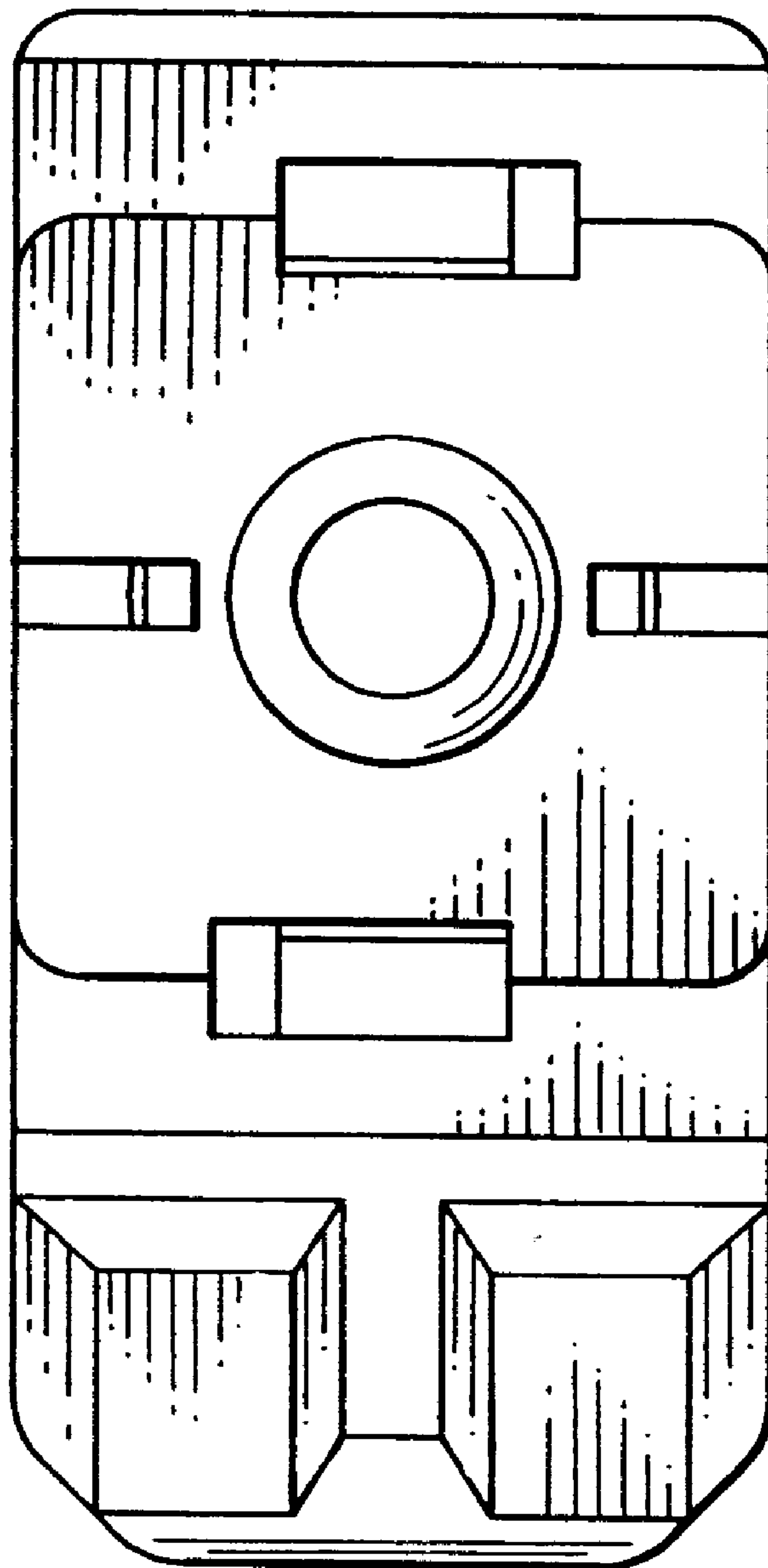


FIG. 4

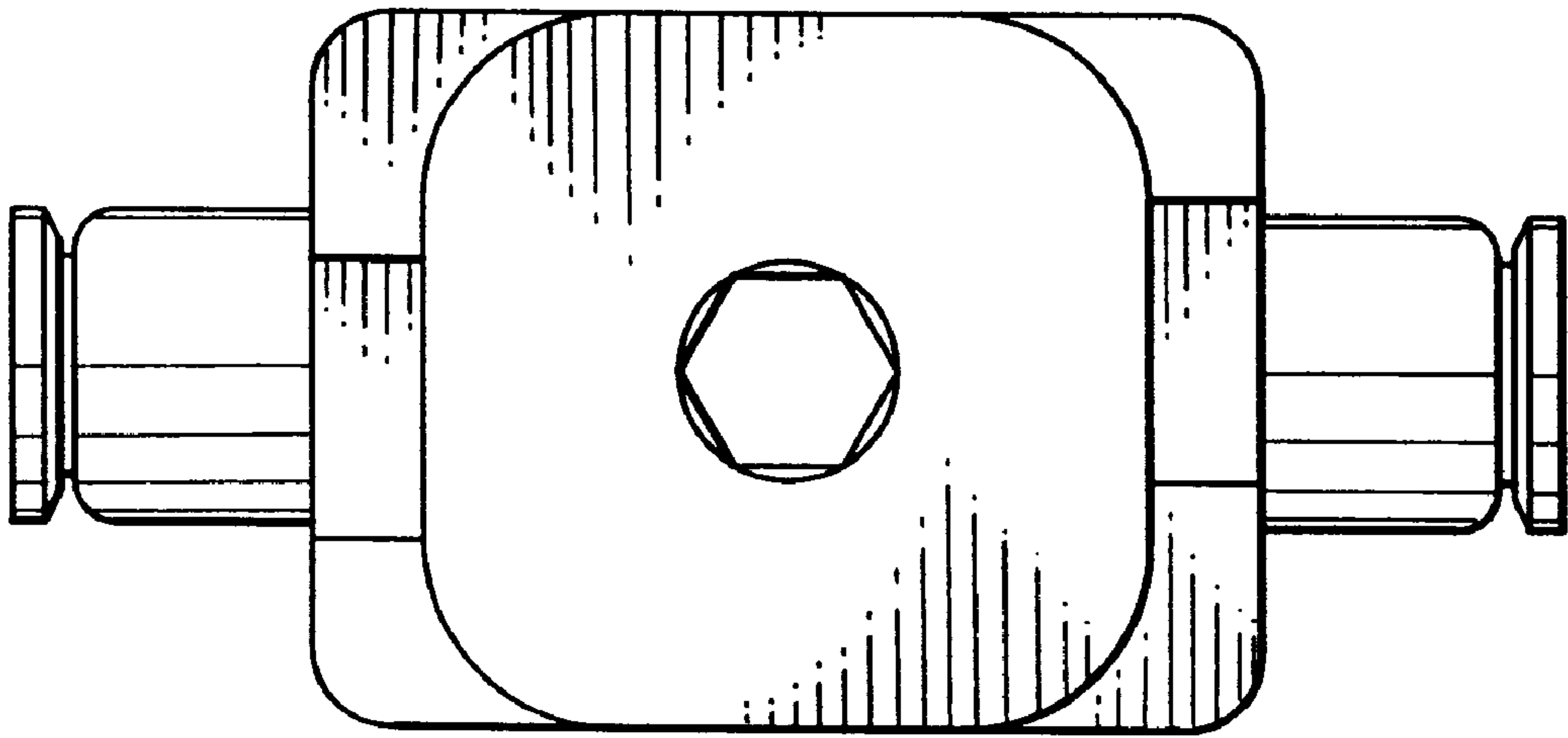


FIG. 5

