



US00D440293S

(12) **United States Design Patent**  
**Gieseke et al.**

(10) **Patent No.:** **US D440,293 S**

(45) **Date of Patent:** **\*\* Apr. 10, 2001**

(54) **COALESCER FILTER**

(75) Inventors: **Steven Scott Gieseke; Robert Allen Dushek**, both of Richfield; **Wayne R. W. Bishop**, St. Louis Park, all of MN (US)

(73) Assignee: **Donaldson Company, Inc.**, Minneapolis, MN (US)

(\*\*) Term: **14 Years**

(21) Appl. No.: **29/114,948**

(22) Filed: **Dec. 3, 1999**

(51) **LOC (7) Cl.** ..... **23-04**

(52) **U.S. Cl.** ..... **D23/365**

(58) **Field of Search** ..... D23/365; D15/1-5; 55/521; 415/200, 201, 213.1

(56) **References Cited**

**U.S. PATENT DOCUMENTS**

Re. 35,433 1/1997 Alexander, III .

- D. 148,396 1/1948 Stevens et al. .
- D. 298,051 10/1988 Matheson et al. .
- D. 368,269 3/1996 Chapman .
- D. 408,513 4/1999 Reede .
- D. 410,010 5/1999 Gieseke et al. .
- D. 420,117 2/2000 Gieseke et al. .

*Primary Examiner*—Lisa Lichtenstein

(74) *Attorney, Agent, or Firm*—Merchant & Gould P.C.

(57) **CLAIM**

The ornamental design for coalescer filter, as shown and described.

**DESCRIPTION**

FIG. 1 is a perspective view of a coalescer filter, embodying our new design;

FIG. 2 is a top plan view thereof;

FIG. 3 is a bottom plan view thereof;

FIG. 4 is a side elevational view thereof; and,

FIG. 5 is another side elevational view thereof.

**1 Claim, 3 Drawing Sheets**

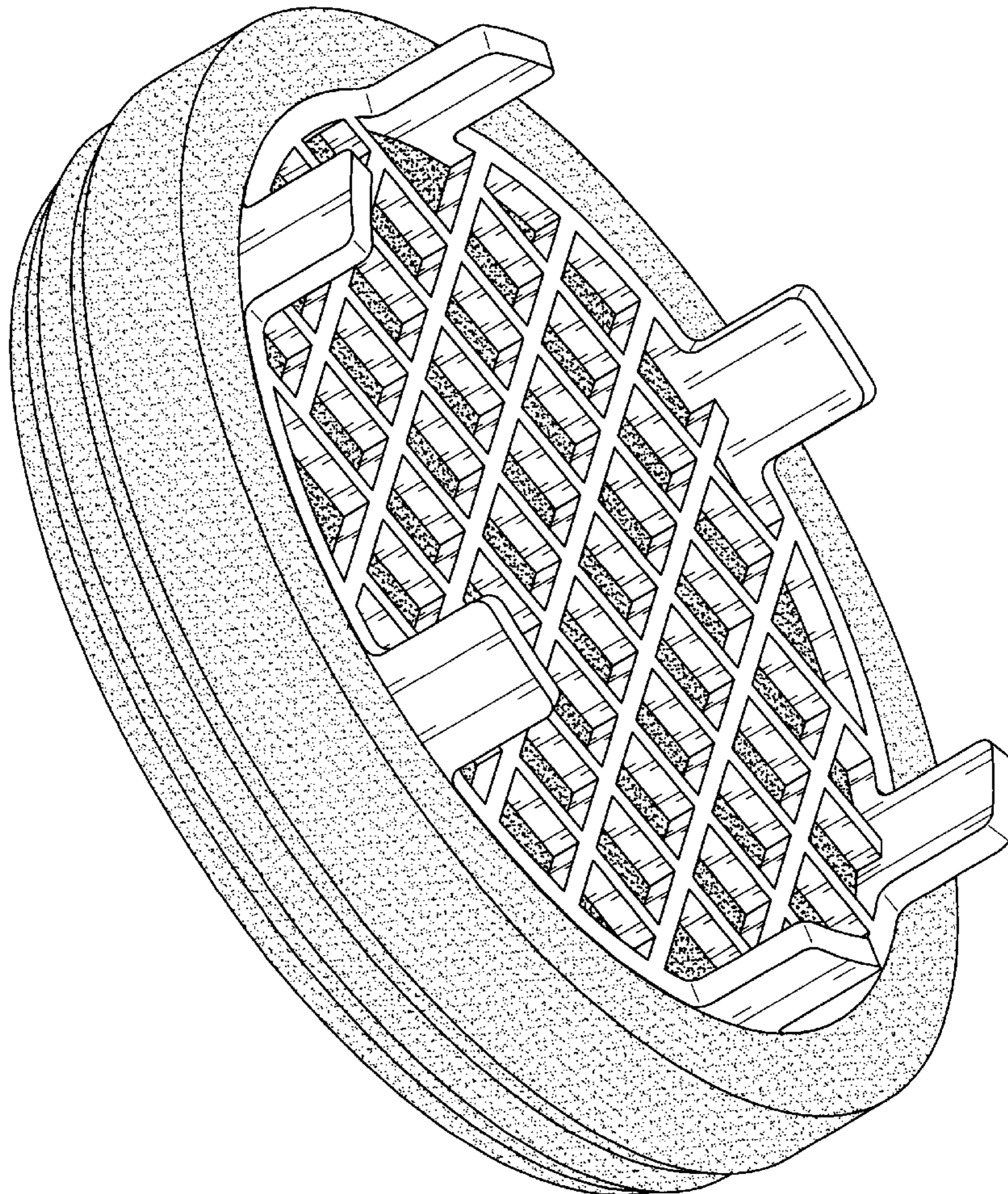




FIG. 1

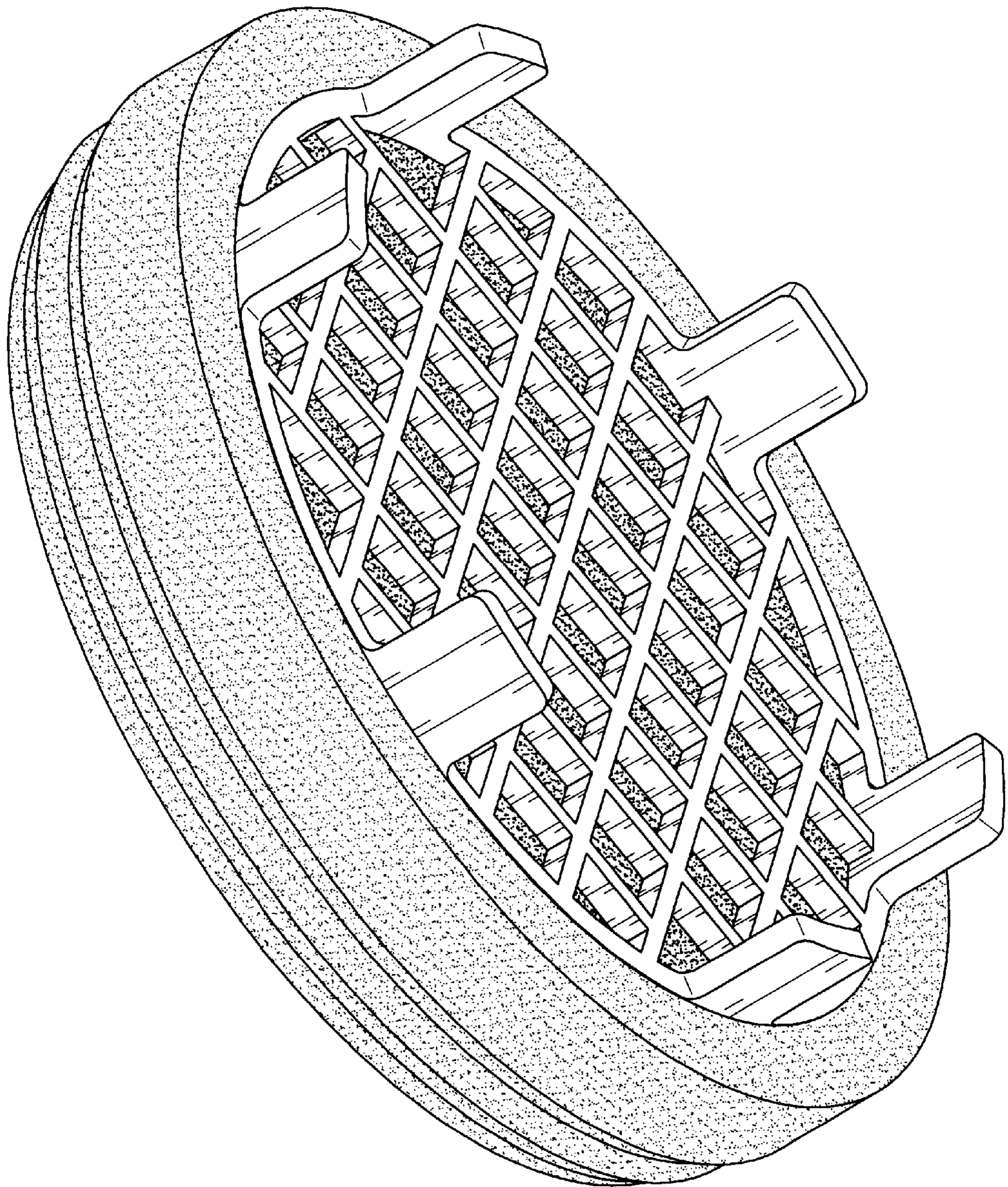




FIG. 2

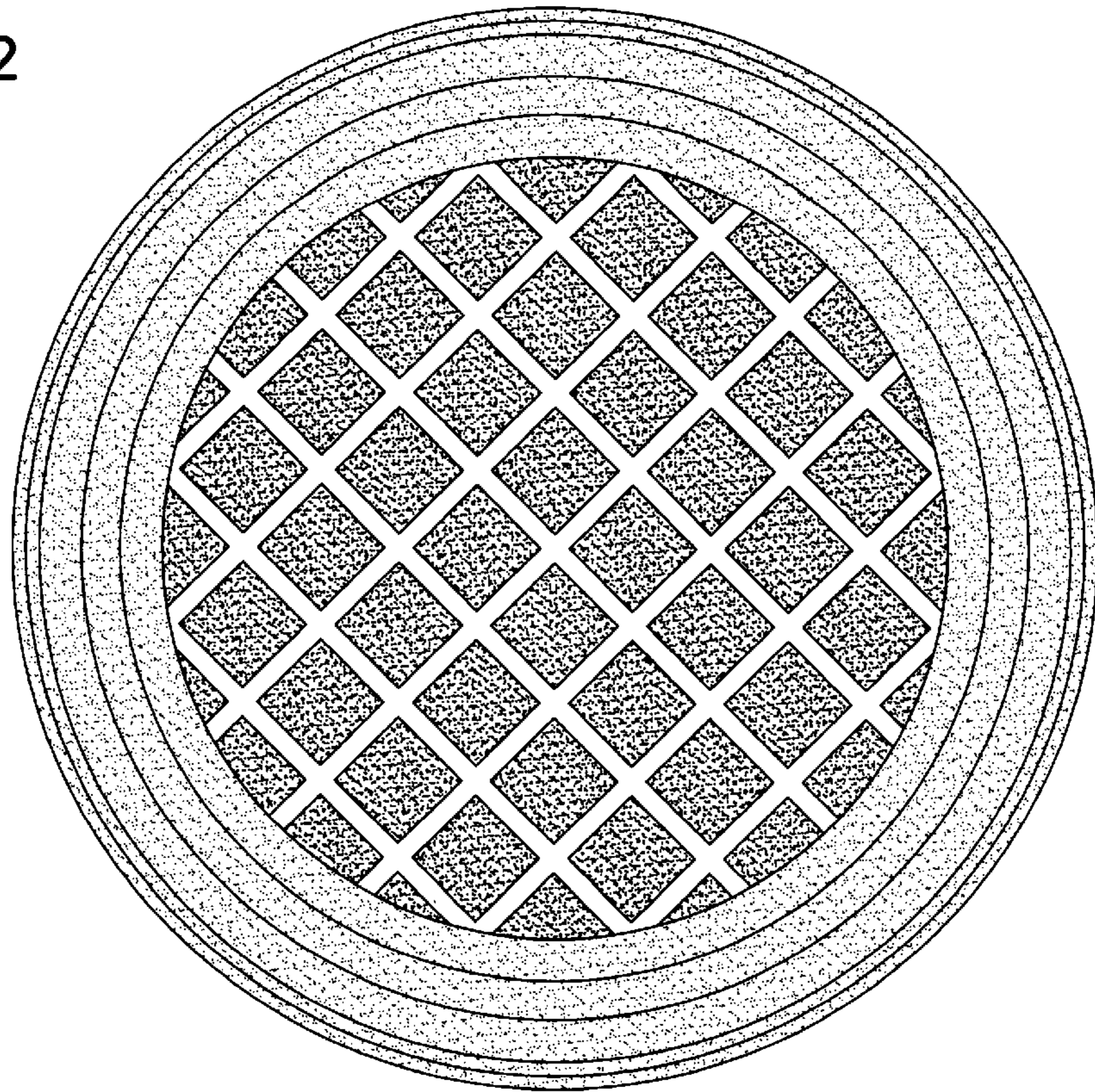


FIG. 3

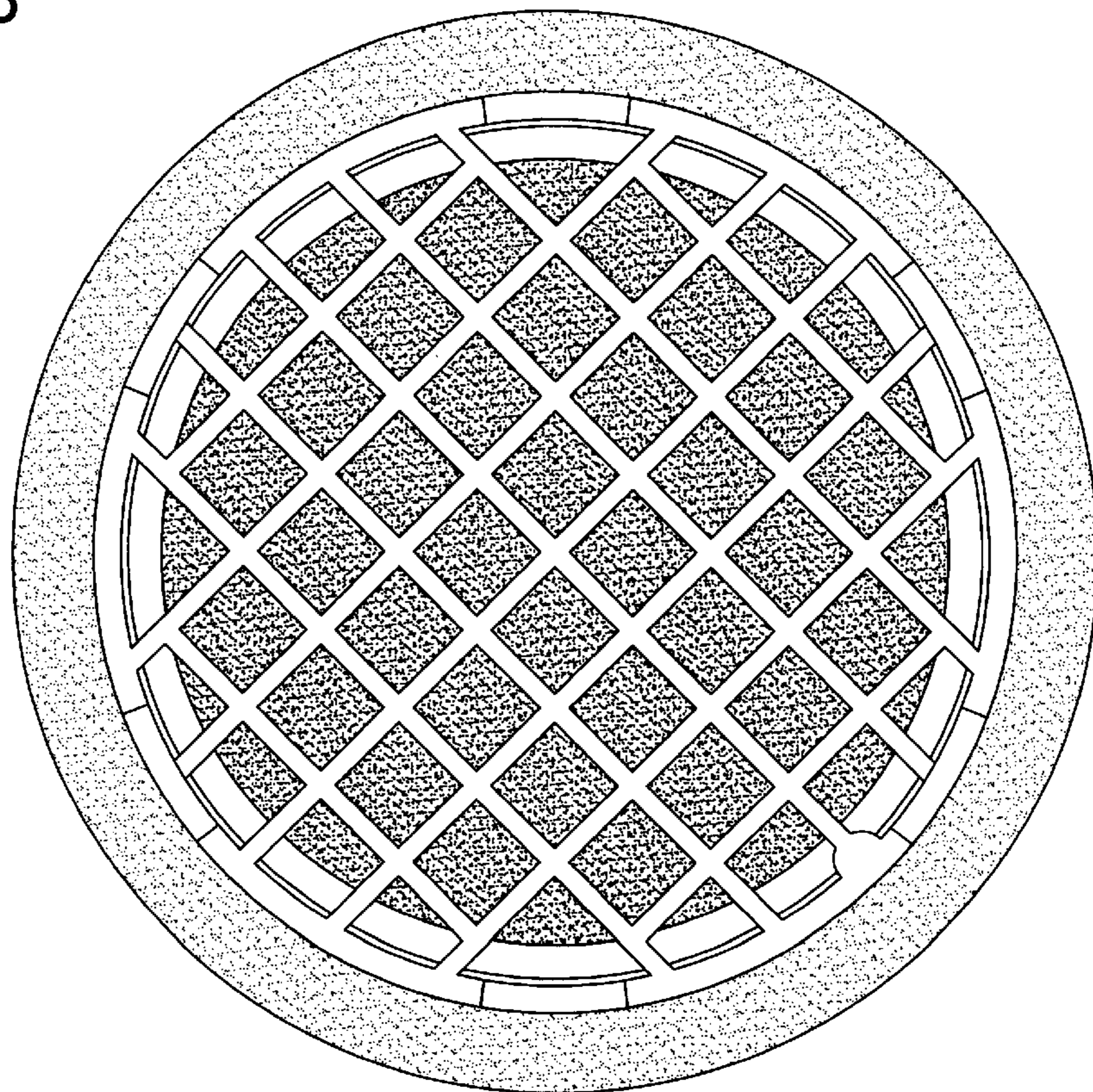




FIG. 4

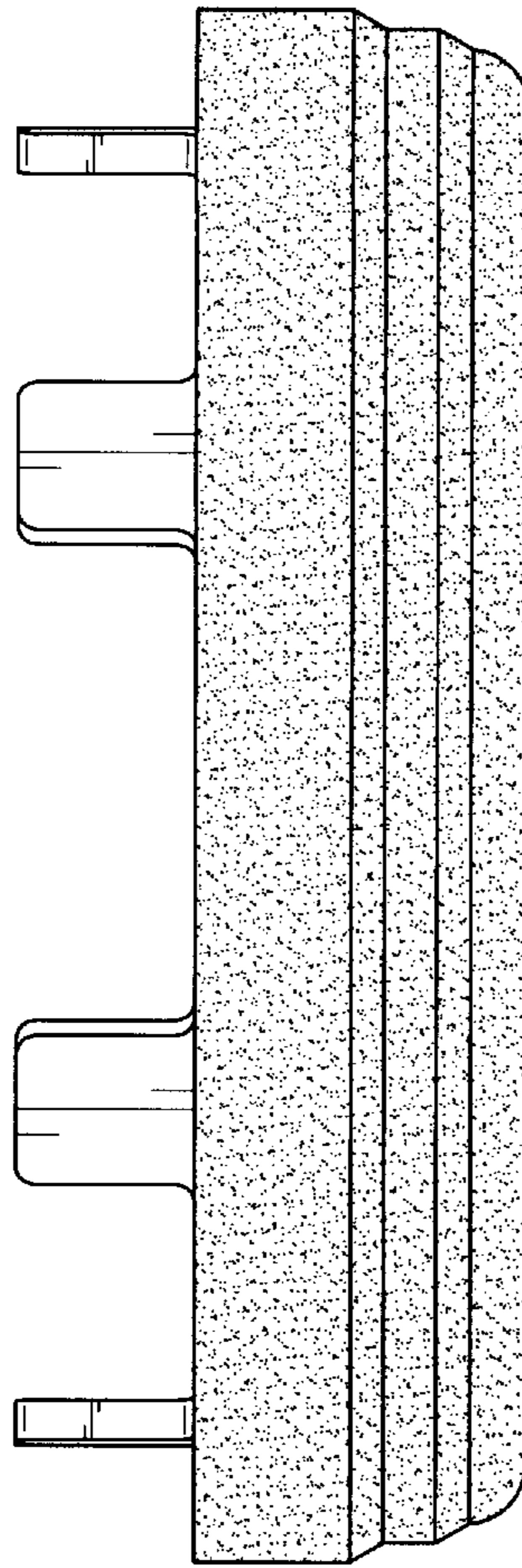


FIG. 5

