



US00D440291S

(12) **United States Design Patent**  
**Wolpert et al.**

(10) **Patent No.:** **US D440,291 S**

(45) **Date of Patent:** **\*\* Apr. 10, 2001**

(54) **ELECTRIC LIQUID VAPORIZER**

D. 393,063 3/1998 Wefler .

(75) Inventors: **Christopher J. Wolpert**, Scottsdale;  
**Donald C. Schreer**, Phoenix; **Carl Triplett**, Scottsdale; **Kristopher J. Stathakis**, Scottsdale; **Mengtao Pete He**, Scottsdale; **Debra Park**, Mesa, all of AZ (US)

\* cited by examiner

*Primary Examiner*—Lisa Lichtenstein  
(74) *Attorney, Agent, or Firm*—The Dial Corporation

(73) Assignee: **The Dial Corporation**, Scottsdale, AZ (US)

(57) **CLAIM**

The ornamental design for the electric liquid vaporizer, as shown.

(\*\*) Term: **14 Years**

**DESCRIPTION**

(21) Appl. No.: **29/113,693**

FIG. 1 is a perspective view of an electric liquid vaporizer showing our new design;

(22) Filed: **Nov. 8, 1999**

FIG. 2 is a rear view of the electric liquid vaporizer of FIG. 1;

(51) **LOC (7) Cl.** ..... **23-04**

FIG. 3 is a right side elevational view of the electric liquid vaporizer of FIG. 1;

(52) **U.S. Cl.** ..... **D23/360**

FIG. 4 is a left side elevational view of the electric liquid vaporizer of FIG. 1;

(58) **Field of Search** ..... D23/360, 366-369; 261/DIG. 65; 239/34, 55-60; 422/120

FIG. 5 is a perspective view of the housing unit of FIG. 1; FIG. 6 is a right side elevational view of the housing unit of FIG. 1;

(56) **References Cited**

**U.S. PATENT DOCUMENTS**

- D. 159,407 7/1950 Costello .
- D. 189,420 12/1960 Diehl .
- D. 307,180 4/1990 Luthy .
- D. 332,138 \* 12/1992 Lonker ..... D23/366
- D. 335,530 5/1993 Schimanski .
- D. 346,207 4/1994 Martin .
- D. 357,330 4/1995 Wong et al. .
- D. 359,346 \* 6/1995 Martin ..... D23/366
- D. 381,443 7/1997 Yuen .
- D. 386,974 12/1997 Wefler .

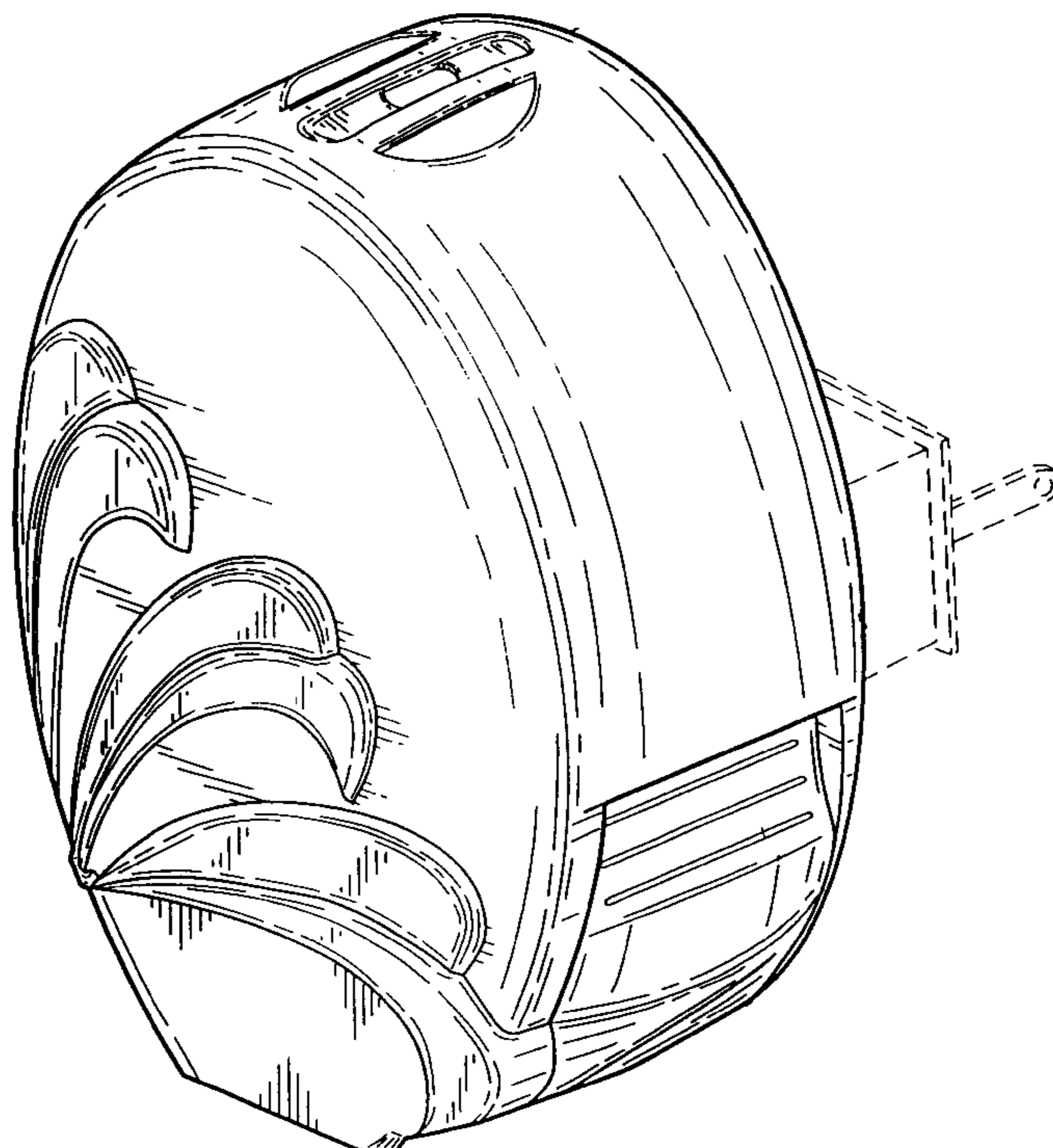
FIG. 7 is a left side elevational view of the housing unit of FIG. 1;

FIG. 8 is a bottom plan view of the housing unit of FIG. 1; FIG. 9 is a cut-away front view of the housing unit of FIG. 1;

FIG. 10 is a perspective view of an alternate embodiment electric liquid vaporizer; and,

FIG. 11 is a right side elevational view of the electric liquid vaporizer of FIG. 10.

**1 Claim, 11 Drawing Sheets**



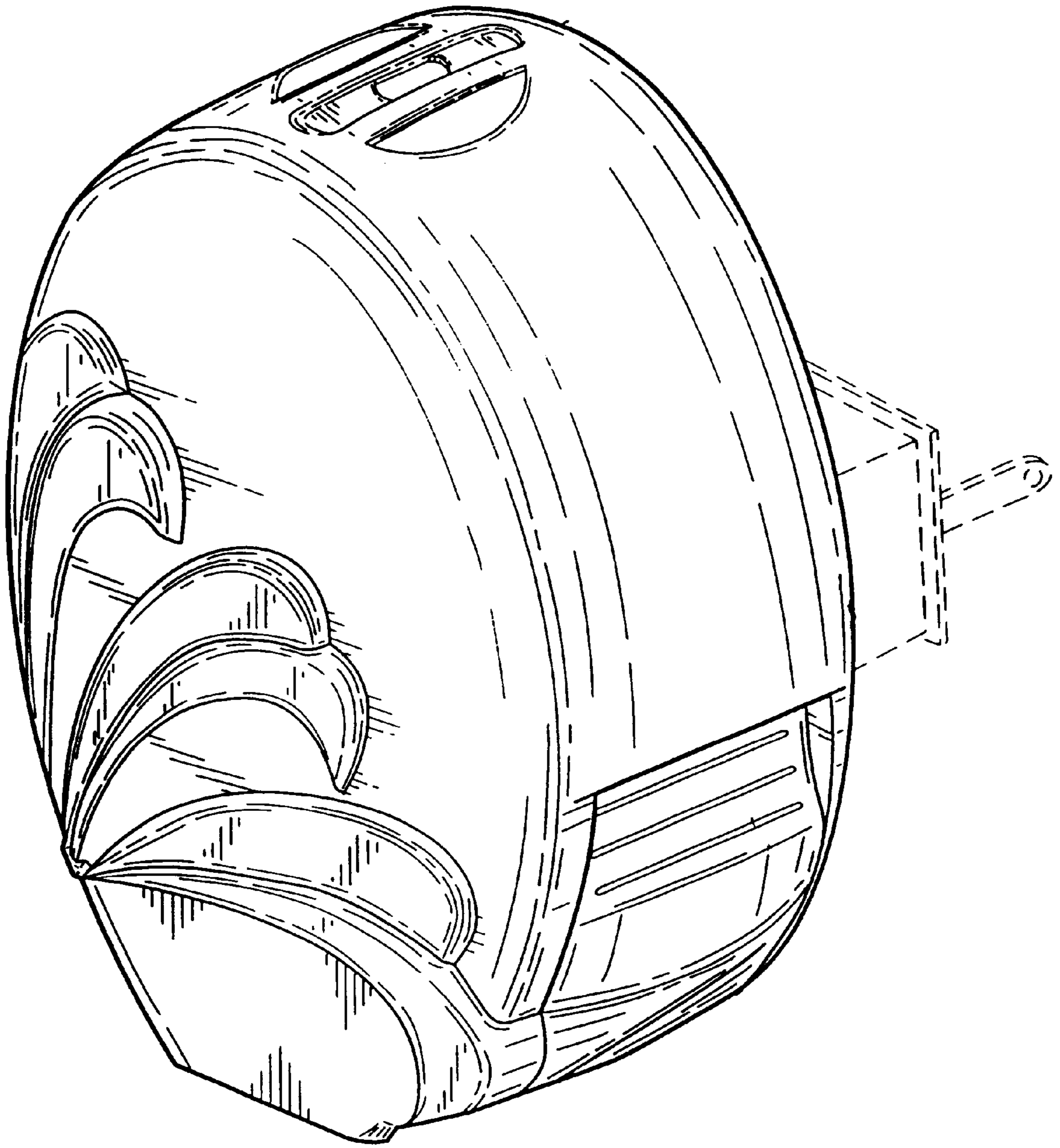


FIG. 1

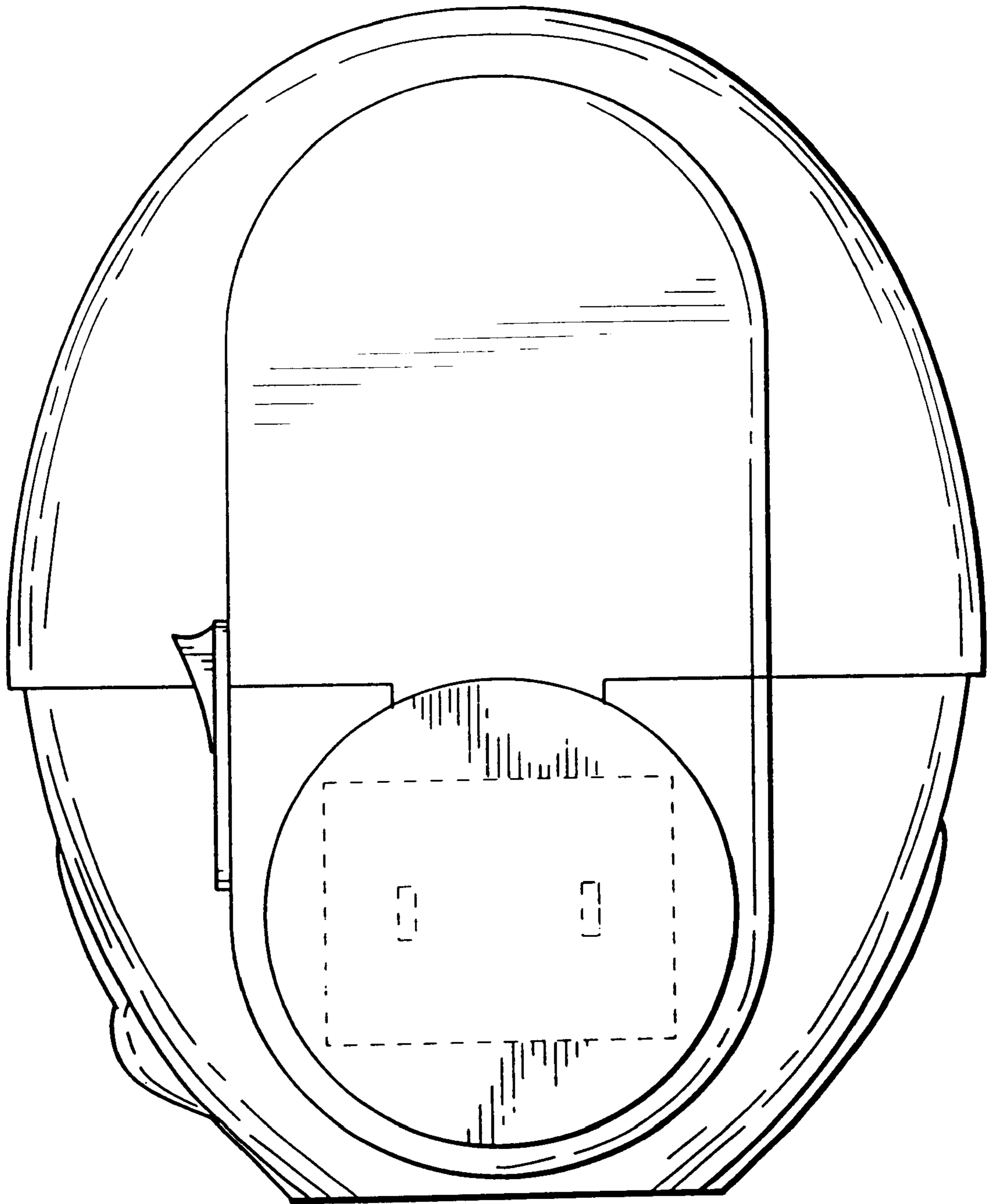


FIG.2

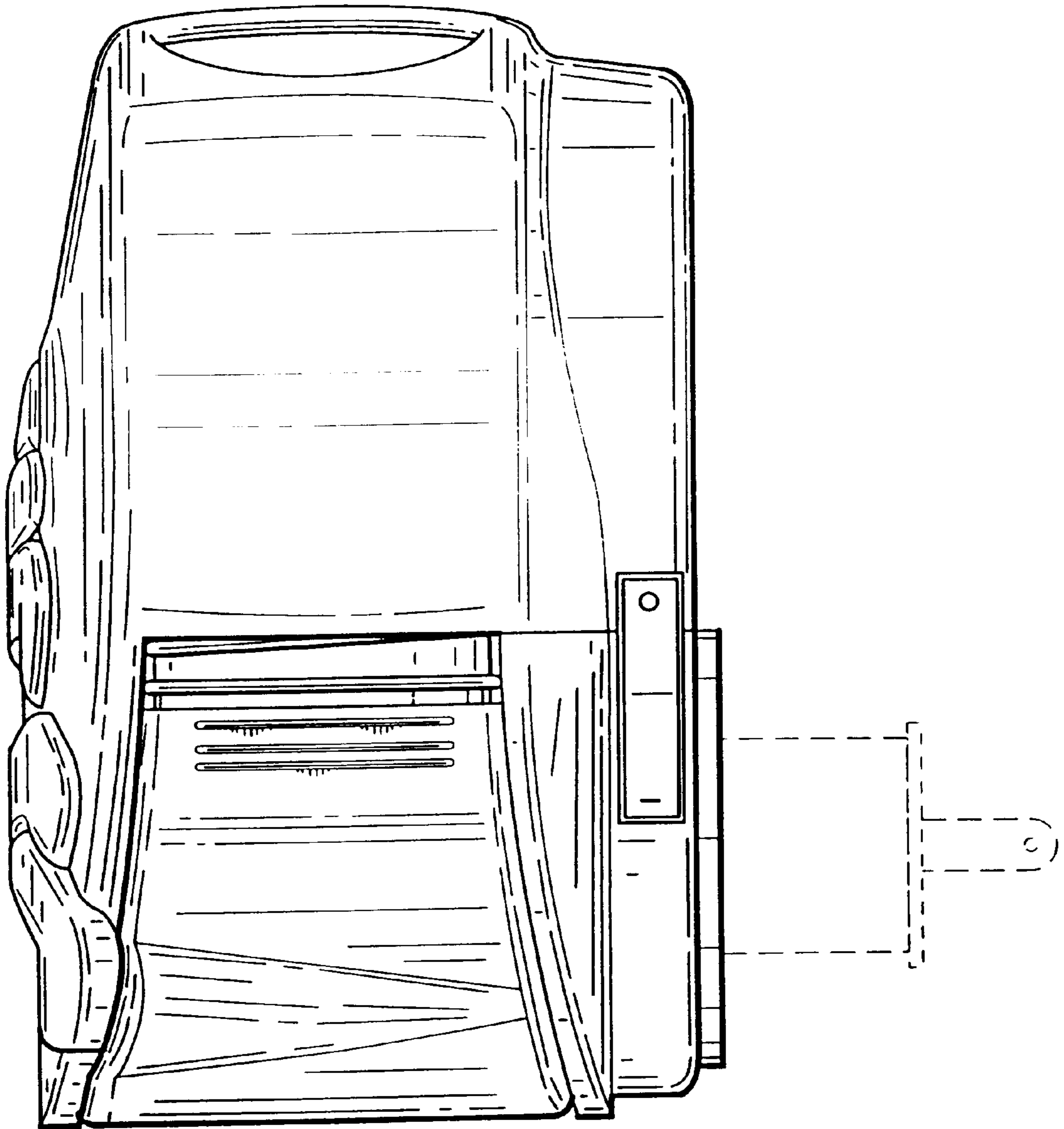


FIG.3

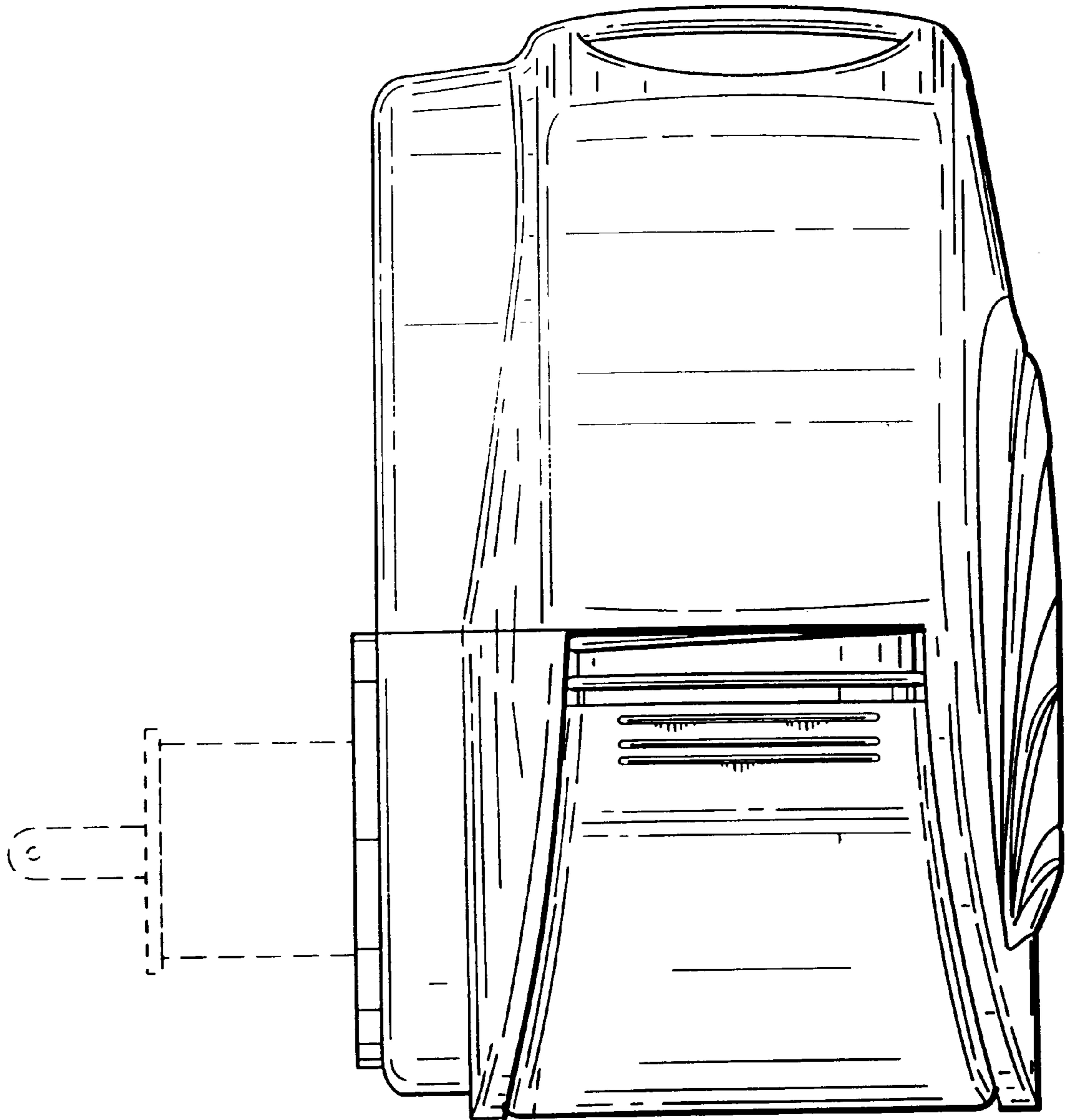


FIG.4

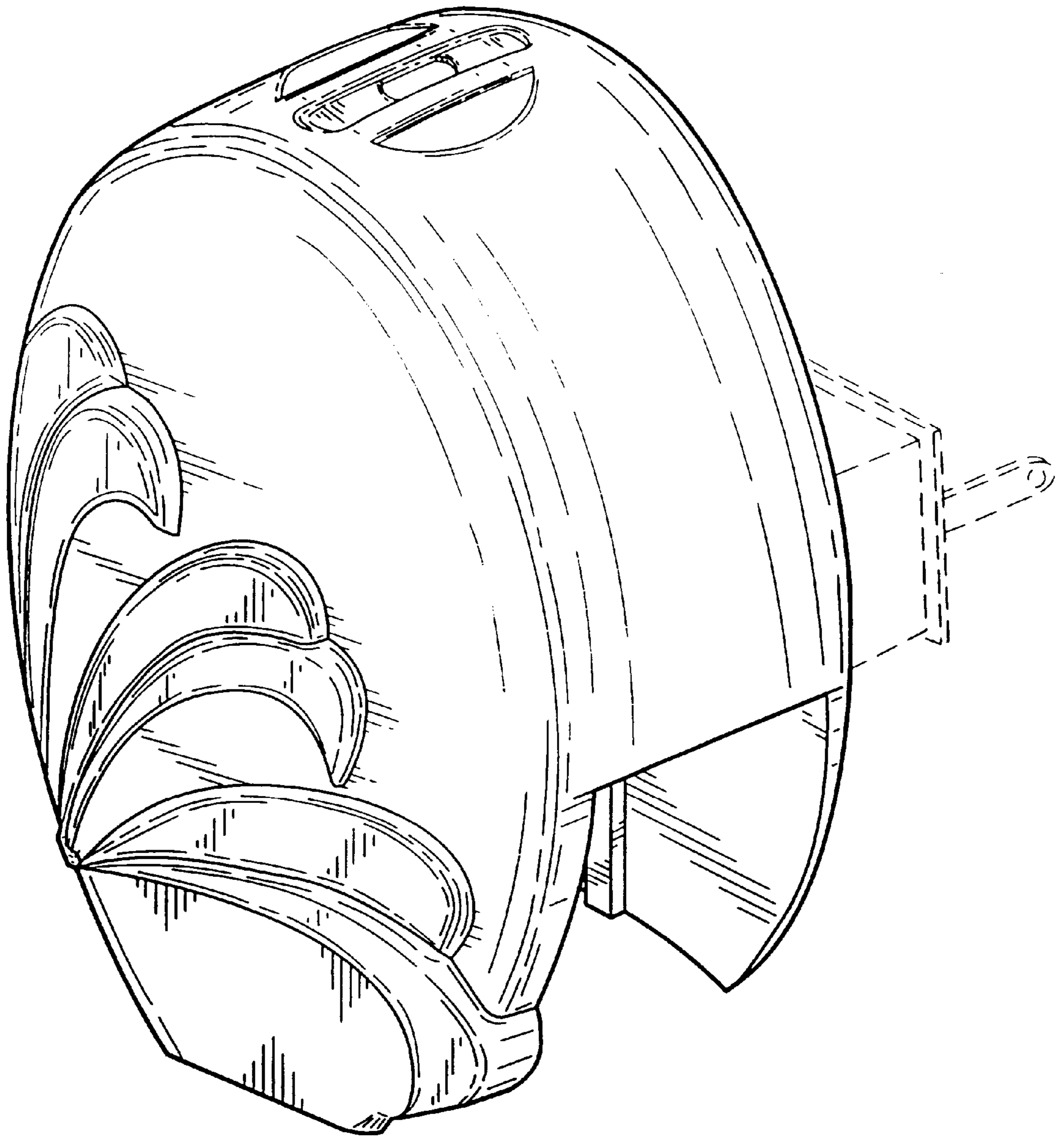


FIG.5

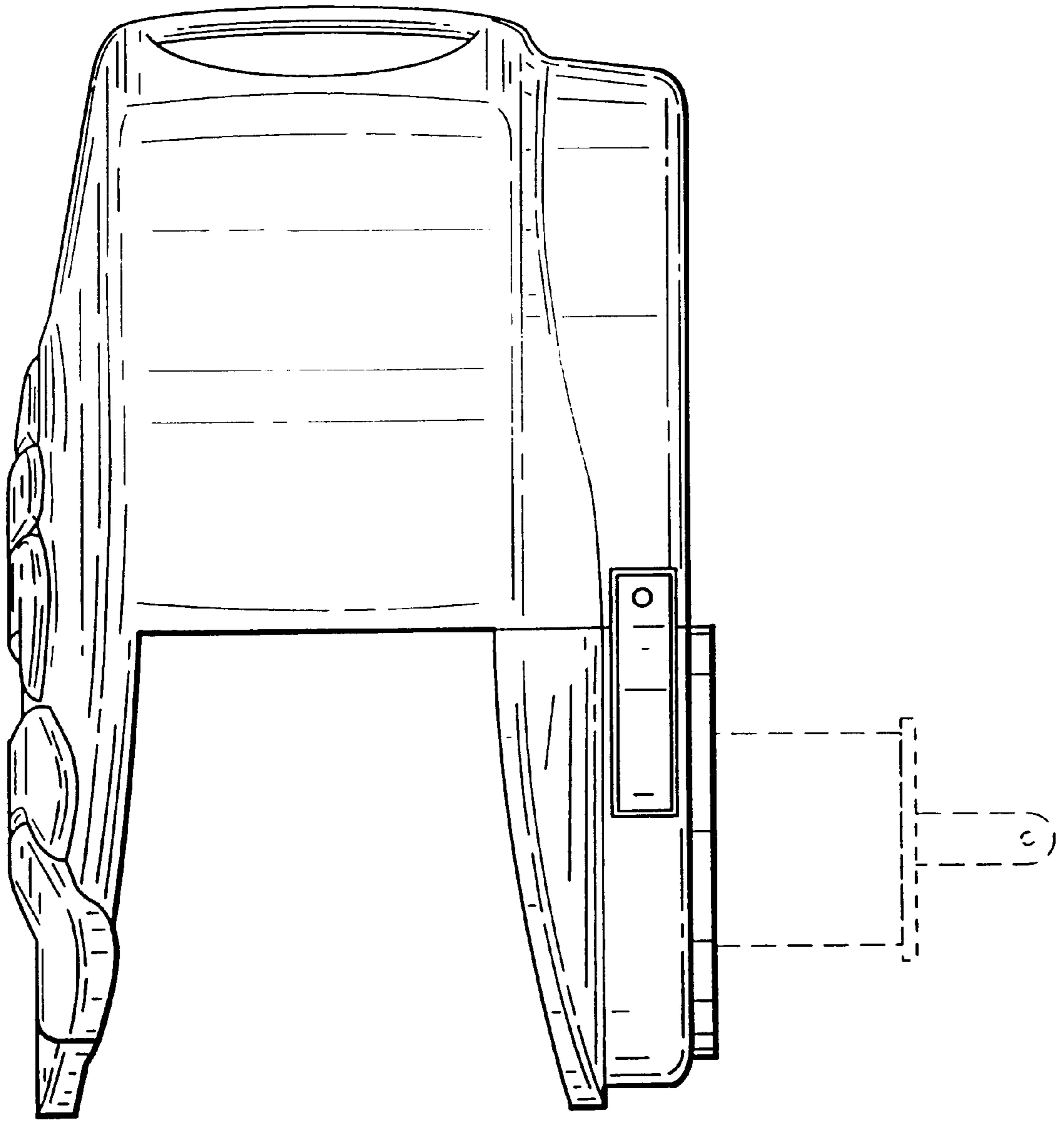


FIG.6

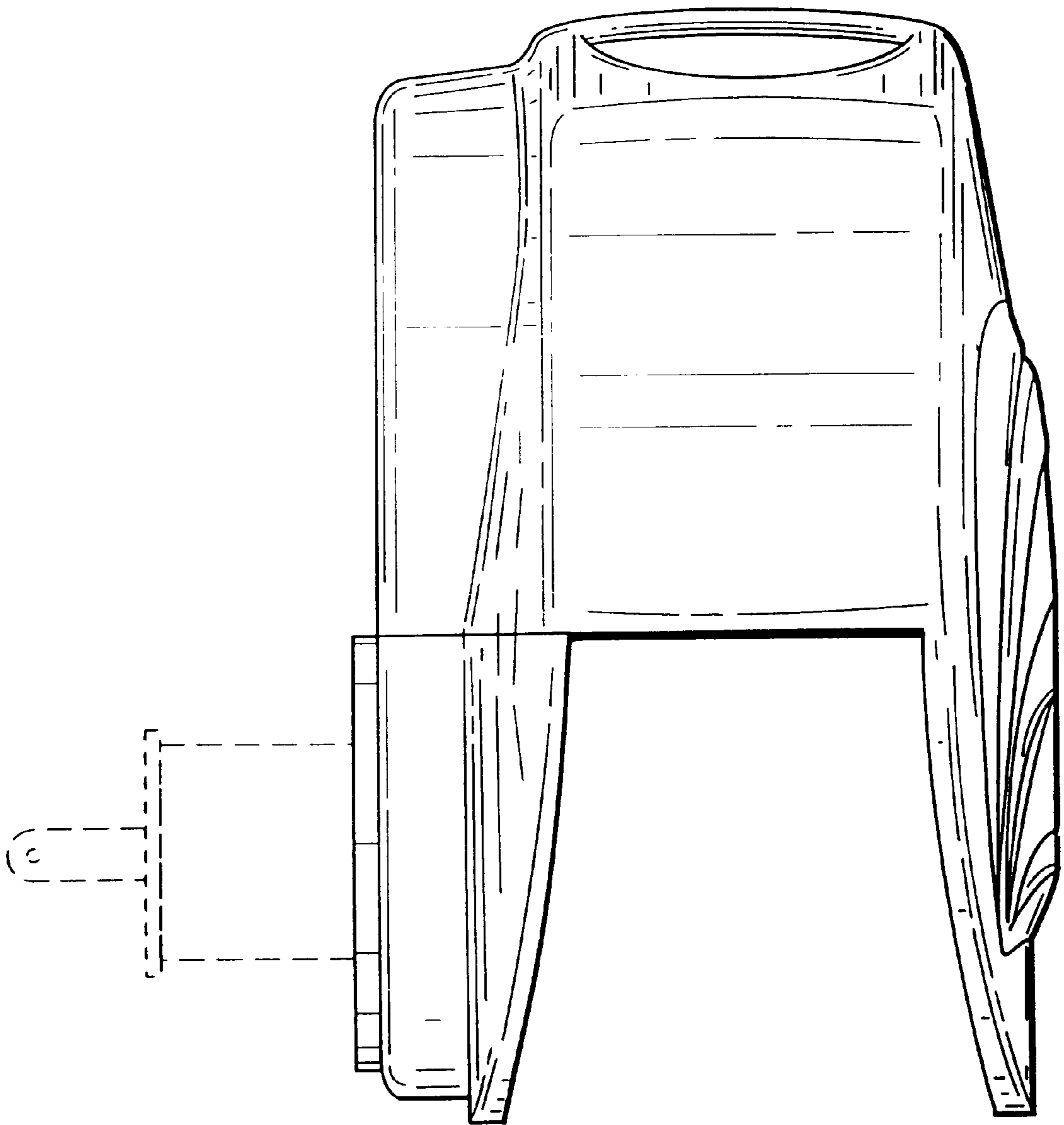


FIG.7



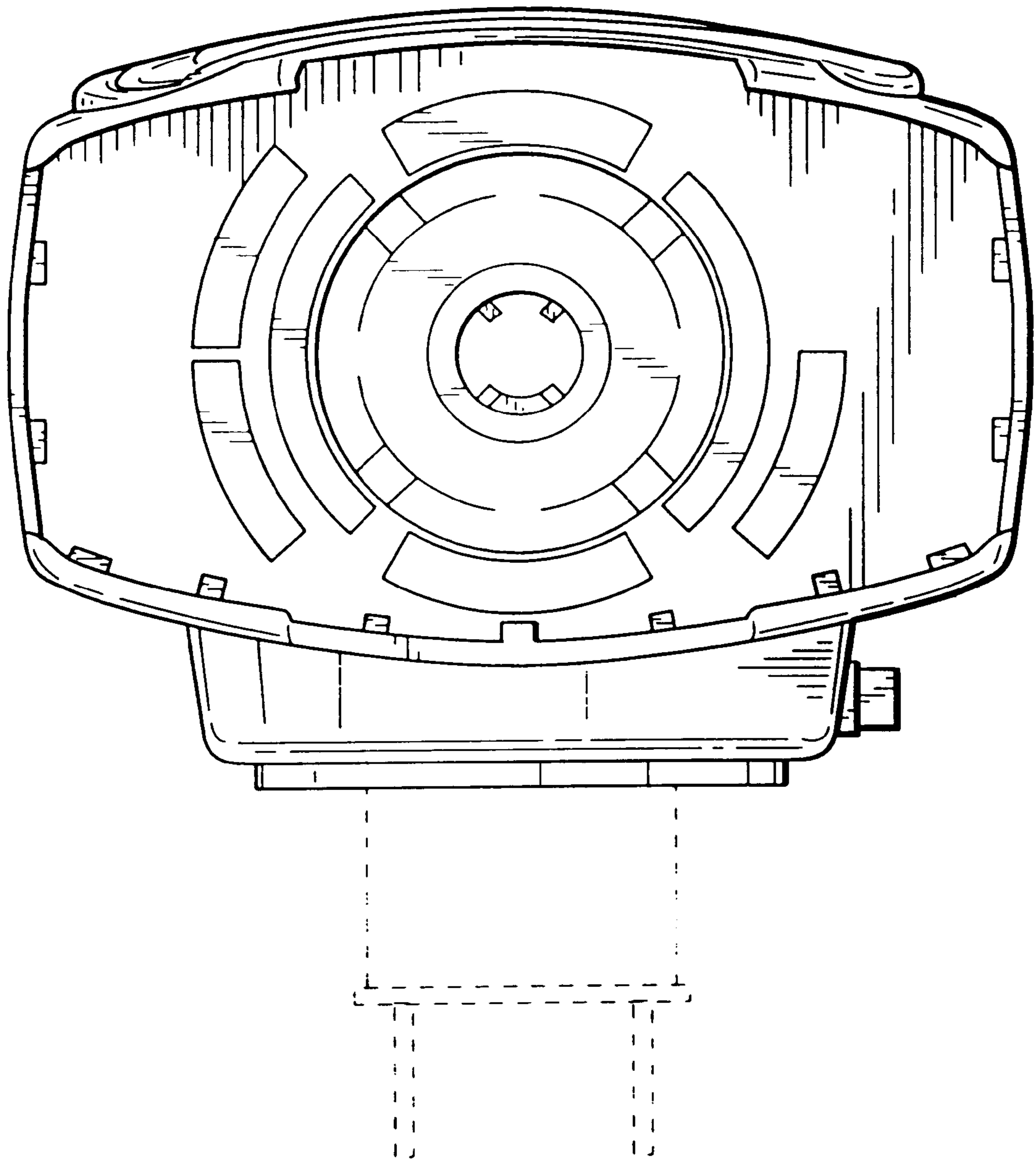


FIG. 8

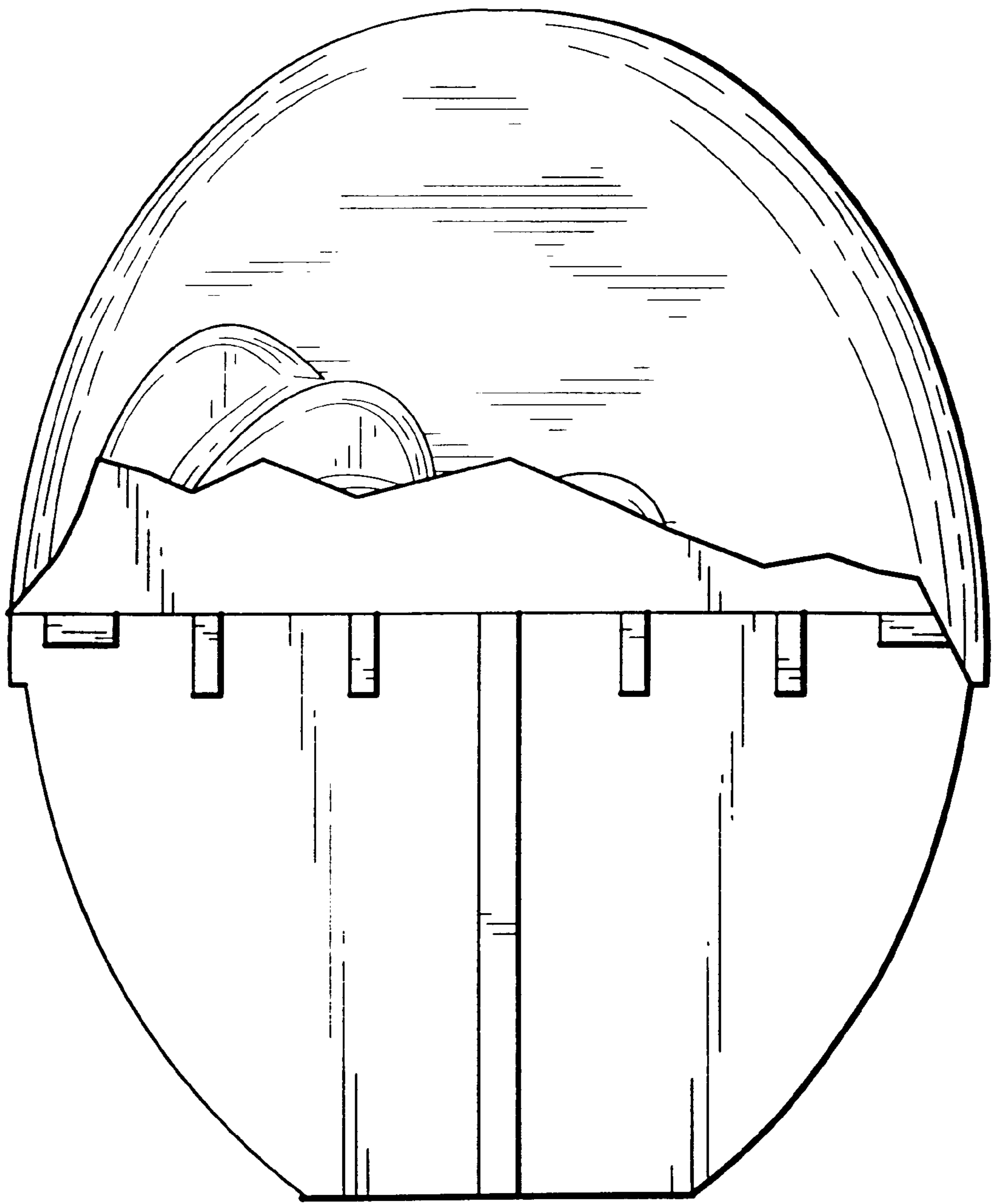


FIG.9

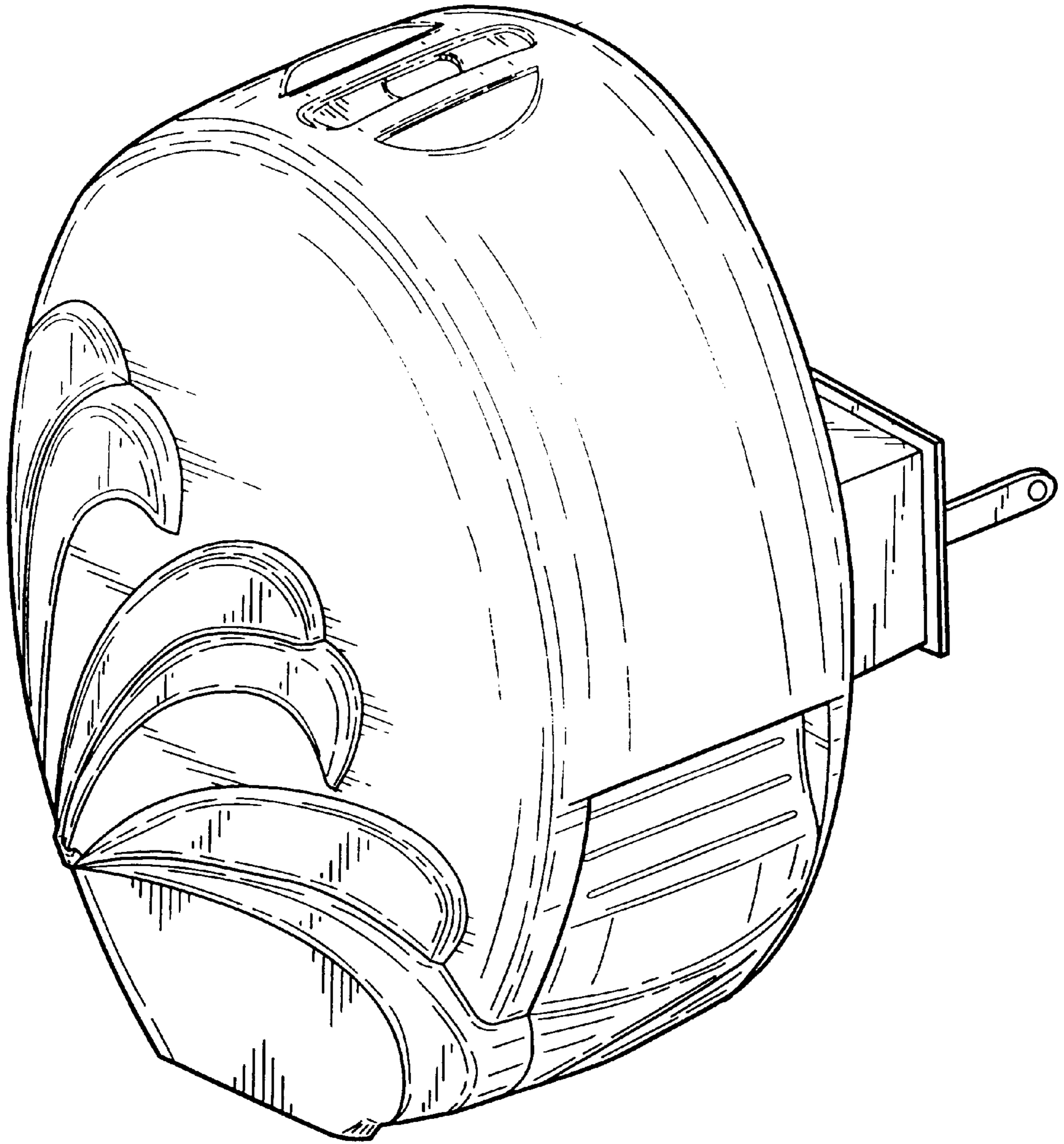


FIG.10

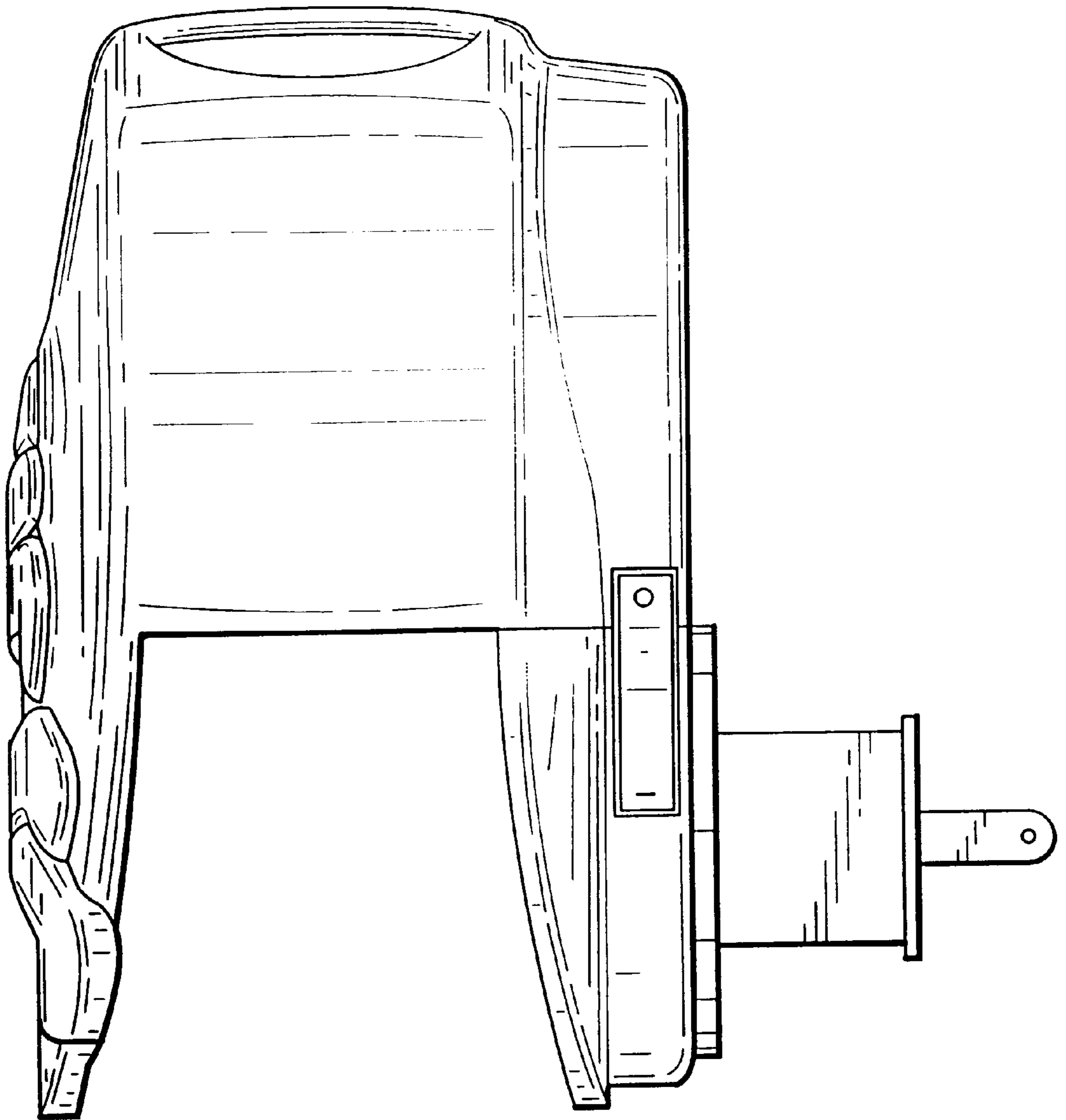


FIG.11