



US00D440286S

(12) **United States Design Patent**  
**Kato**

(10) **Patent No.:** **US D440,286 S**

(45) **Date of Patent:** **\*\* Apr. 10, 2001**

(54) **CONFIRMING TOOL FOR A PIPE CONNECTOR**

(75) Inventor: **Kazuhiro Kato**, Nagoya (JP)

(73) Assignee: **Tokai Rubber Industries, Ltd.**,  
Komaki (JP)

(\*\*) Term: **14 Years**

(21) Appl. No.: **29/084,562**

(22) Filed: **Mar. 5, 1998**

(30) **Foreign Application Priority Data**

Oct. 30, 1997 (JP) ..... 9-73692

(51) **LOC (7) Cl.** ..... **23-01**

(52) **U.S. Cl.** ..... **D23/266**

(58) **Field of Search** ..... D23/259, 262,  
D23/265, 266; 285/45, 420, 421

(56) **References Cited**

**U.S. PATENT DOCUMENTS**

- D. 381,406 \* 7/1997 Brown ..... D23/266
- D. 383,197 \* 9/1997 Brown ..... D23/266
- D. 403,412 \* 12/1998 McMahon et al. .... D23/266

\* cited by examiner

*Primary Examiner*—Marcus A. Jackson

(74) *Attorney, Agent, or Firm*—Oblon, Spivak, McClelland,  
Maier & Neustadt, P.C.

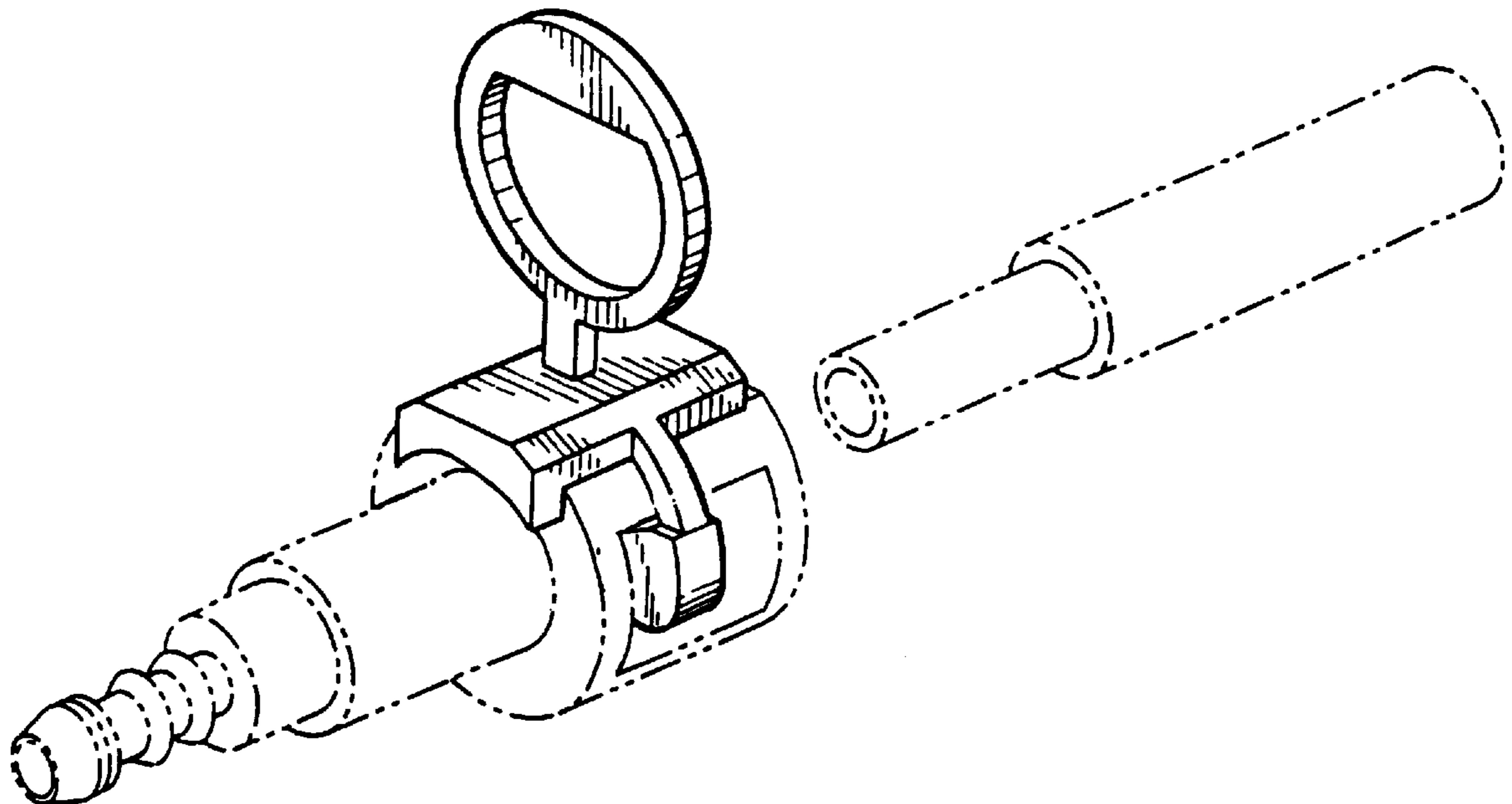
(57) **CLAIM**

The ornamental design for confirming tool for a pipe connector, as shown and described.

**DESCRIPTION**

FIG. 1 is a front elevational view of confirming tool for a pipe connector, embodying my new design;  
 FIG. 2 is a rear elevational view thereof;  
 FIG. 3 is a top plan view thereof;  
 FIG. 4 is a bottom view thereof;  
 FIG. 5 is a right side elevational view thereof;  
 FIG. 6 is a left side elevational view thereof;  
 FIG. 7 is a sectional view thereof taken along line 7—7 in FIG. 1;  
 FIG. 8 is a top, front and right side perspective view thereof as shown when in use;  
 FIG. 9 is a rear elevational view thereof, with the claimed design shown in use in an alternate position;  
 FIG. 10 is a rear elevational view thereof, with the claimed design shown in use in an alternate position; and,  
 FIG. 11 is a rear elevational view thereof, with the claimed design shown in use in an alternate position.  
 The phantom line showing of the structure in FIGS. 8–11 is for illustrative purposes only and forms no part of the claimed invention.

**1 Claim, 3 Drawing Sheets**



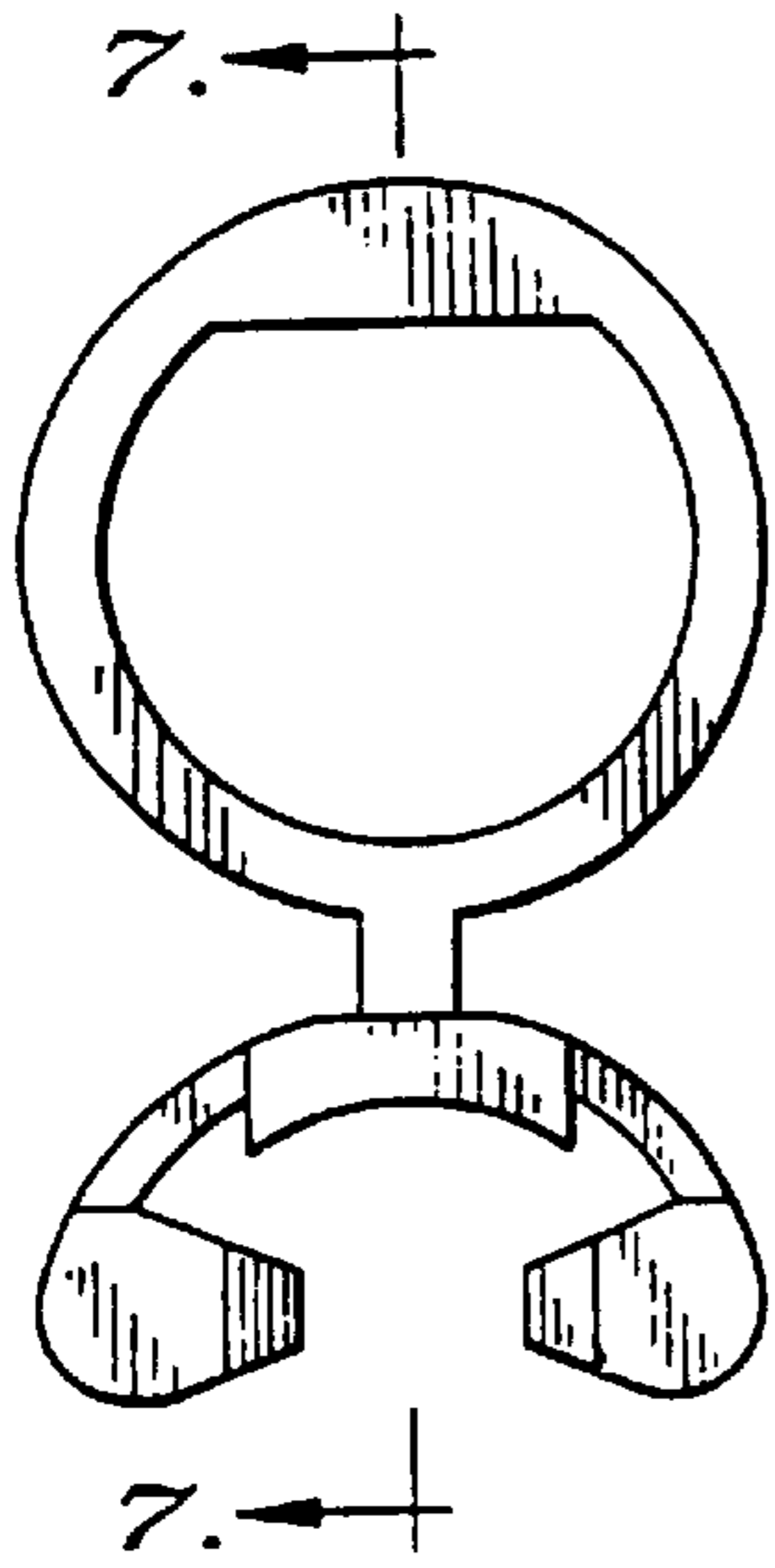


FIG. 1

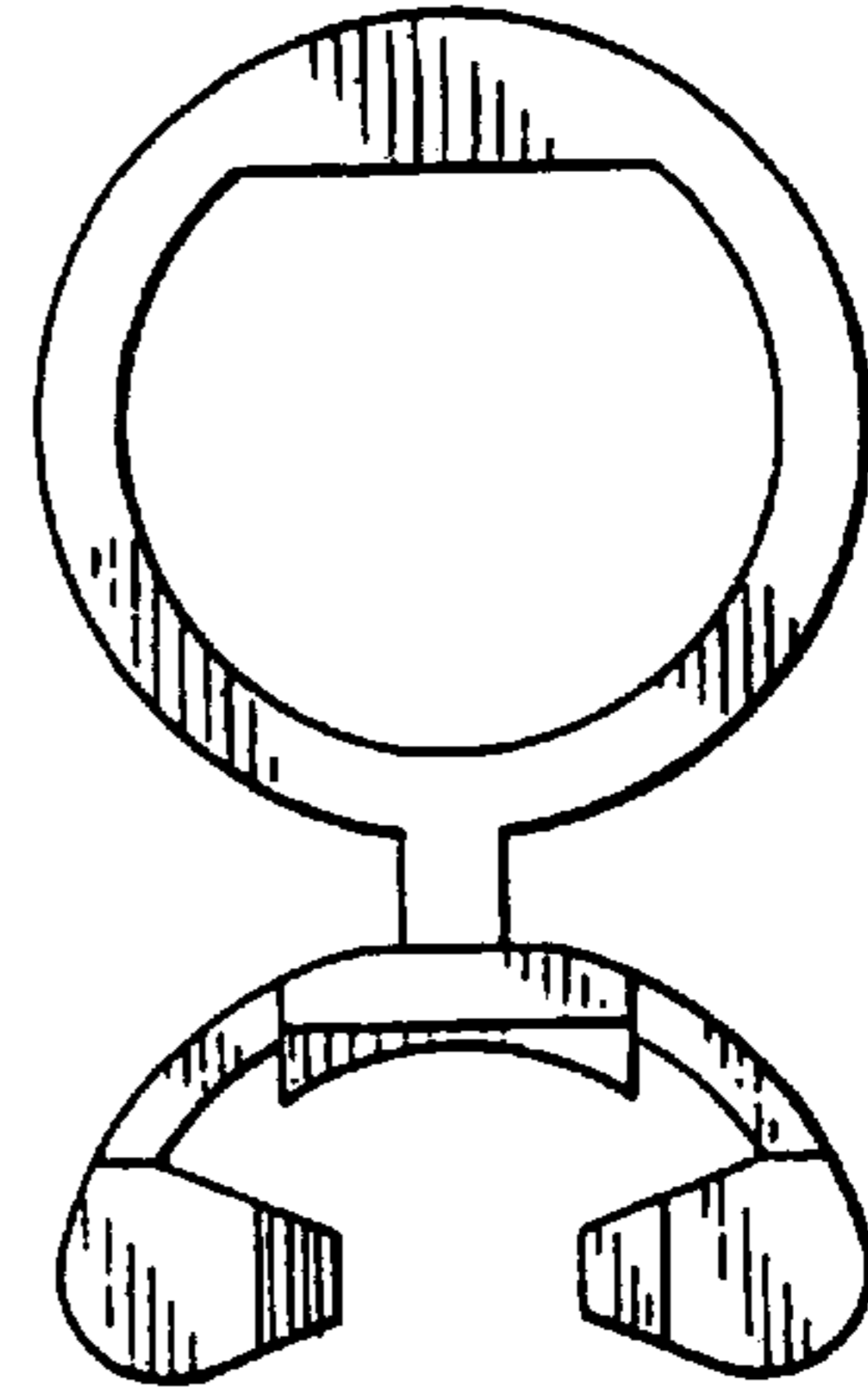


FIG. 2

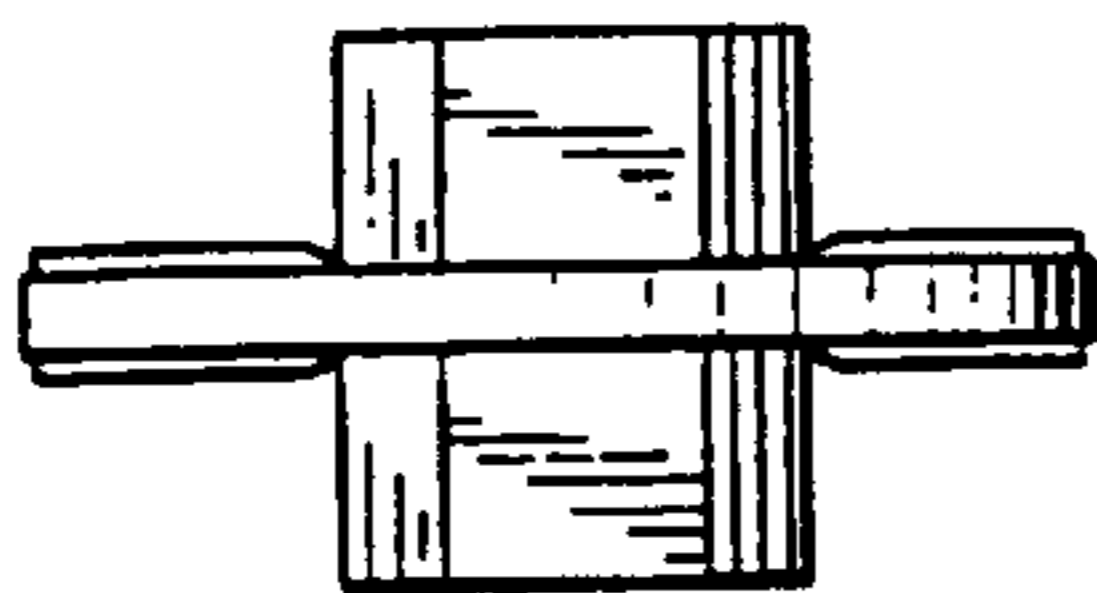


FIG. 3

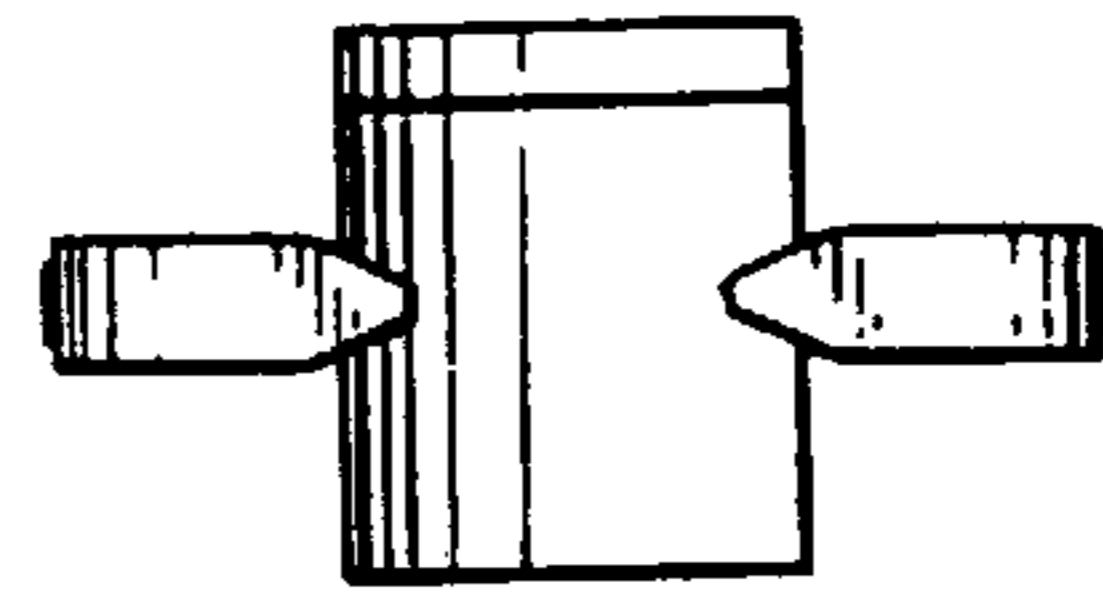


FIG. 4

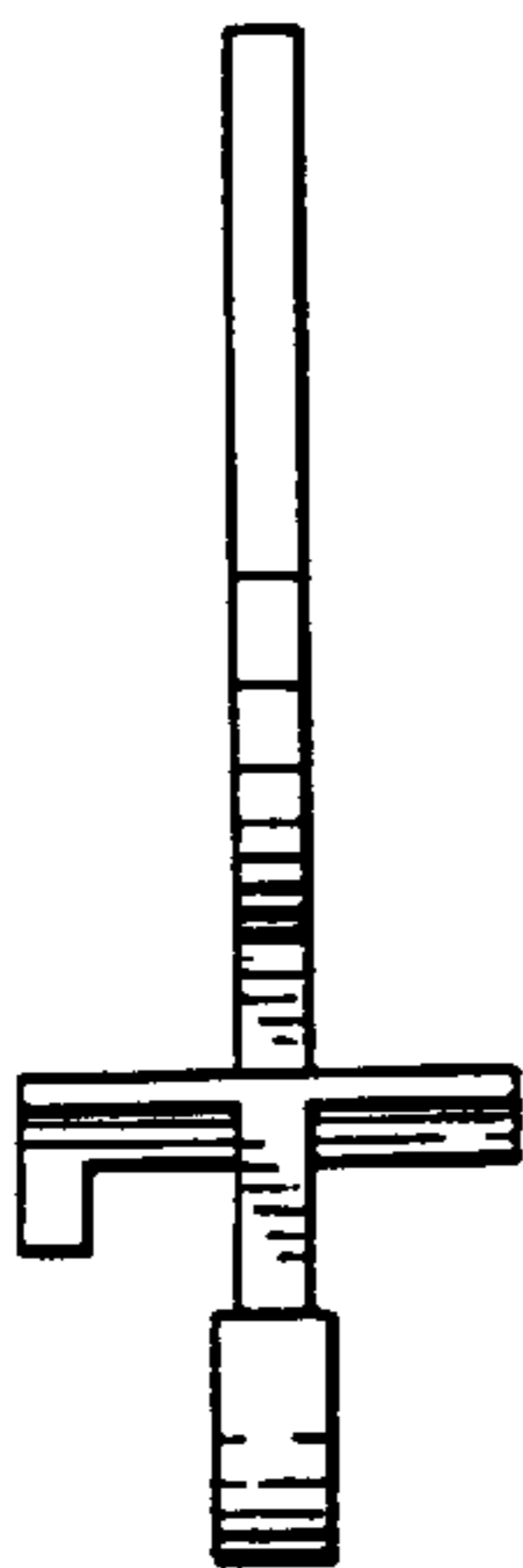


FIG. 5

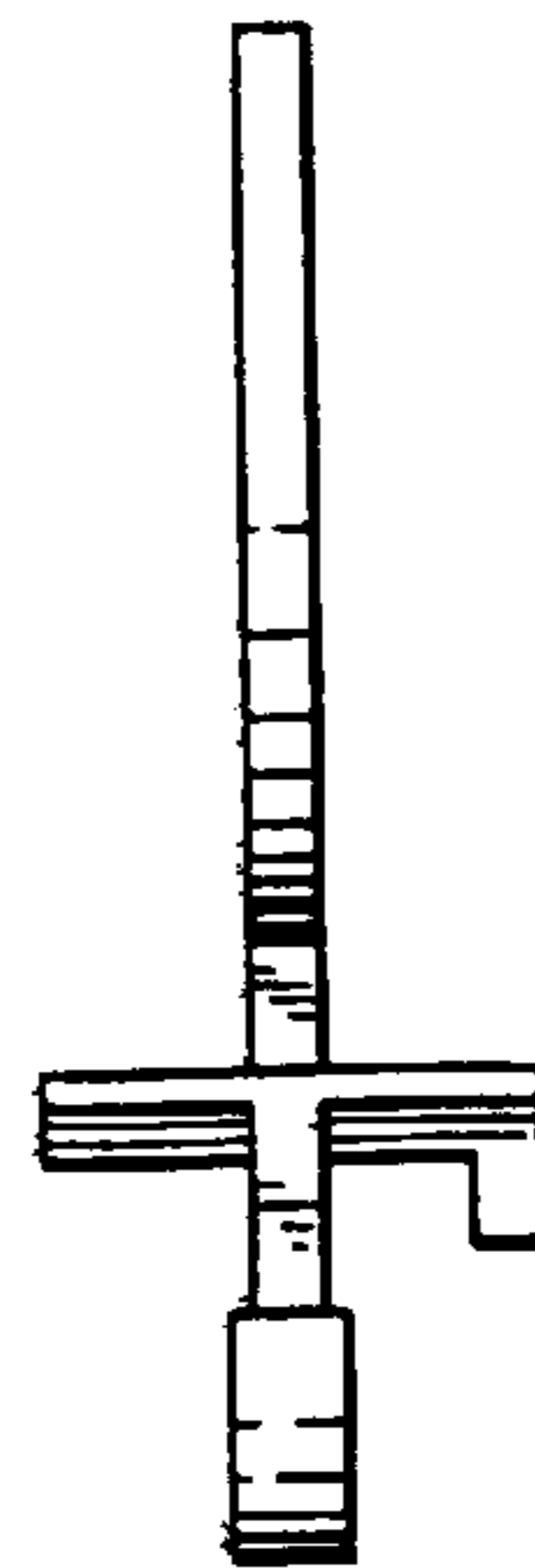
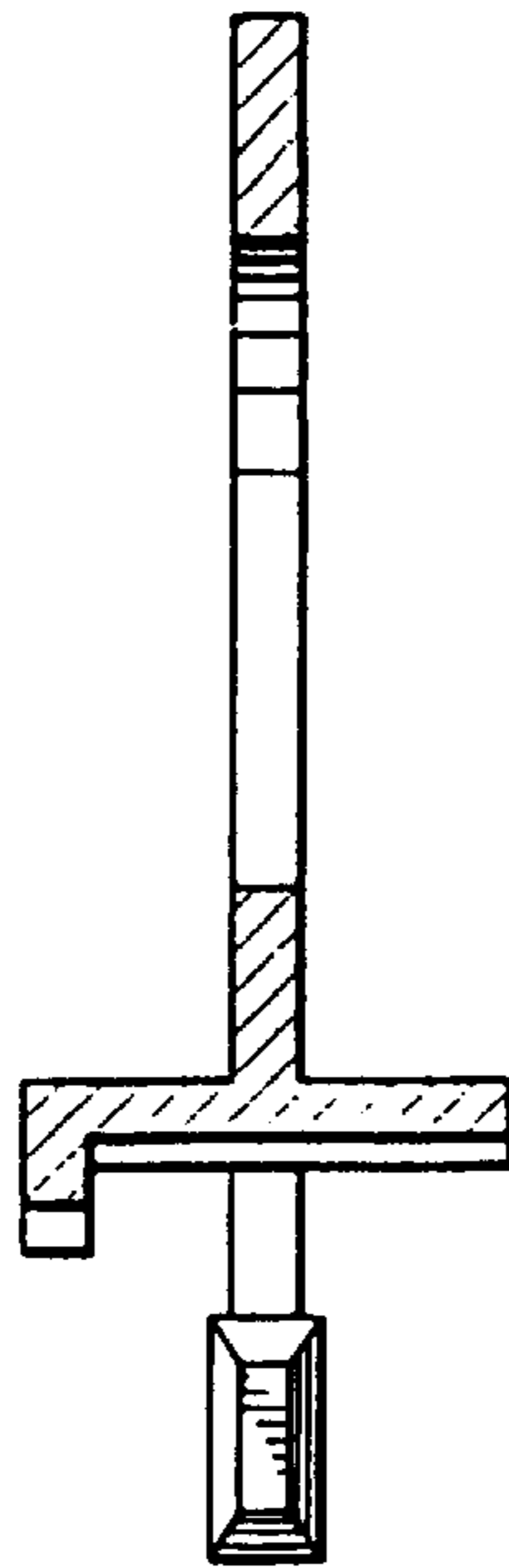
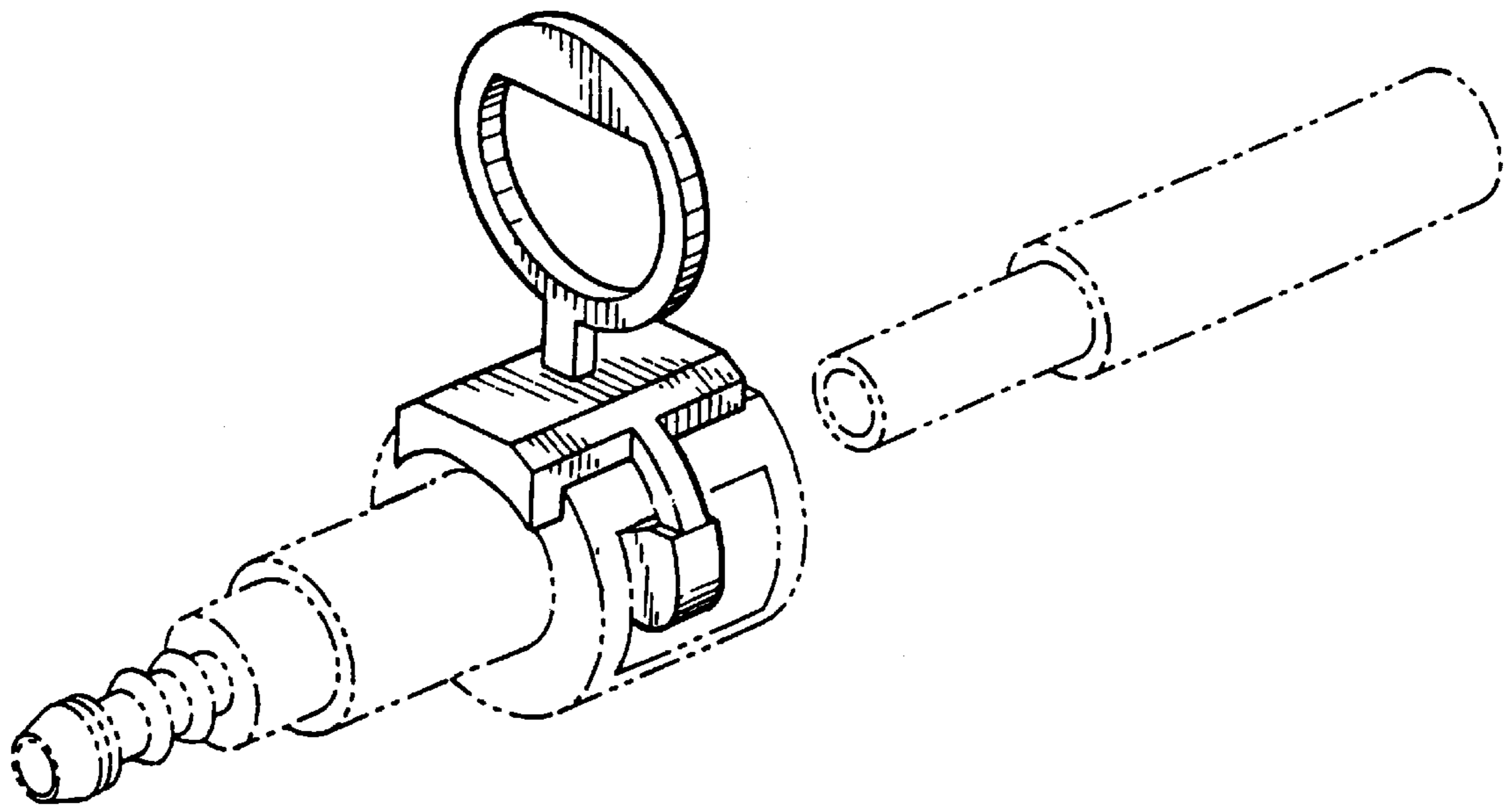


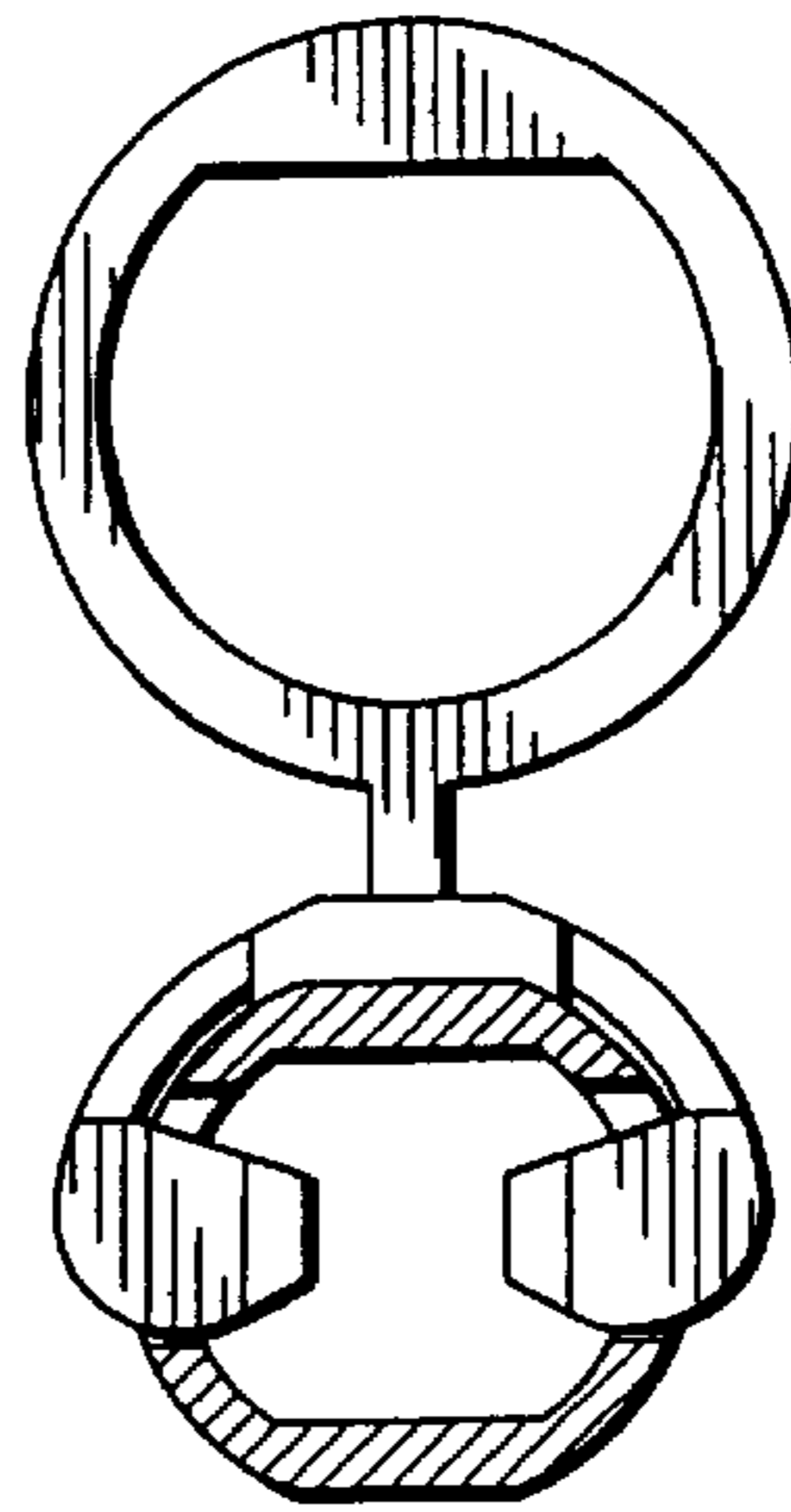
FIG. 6



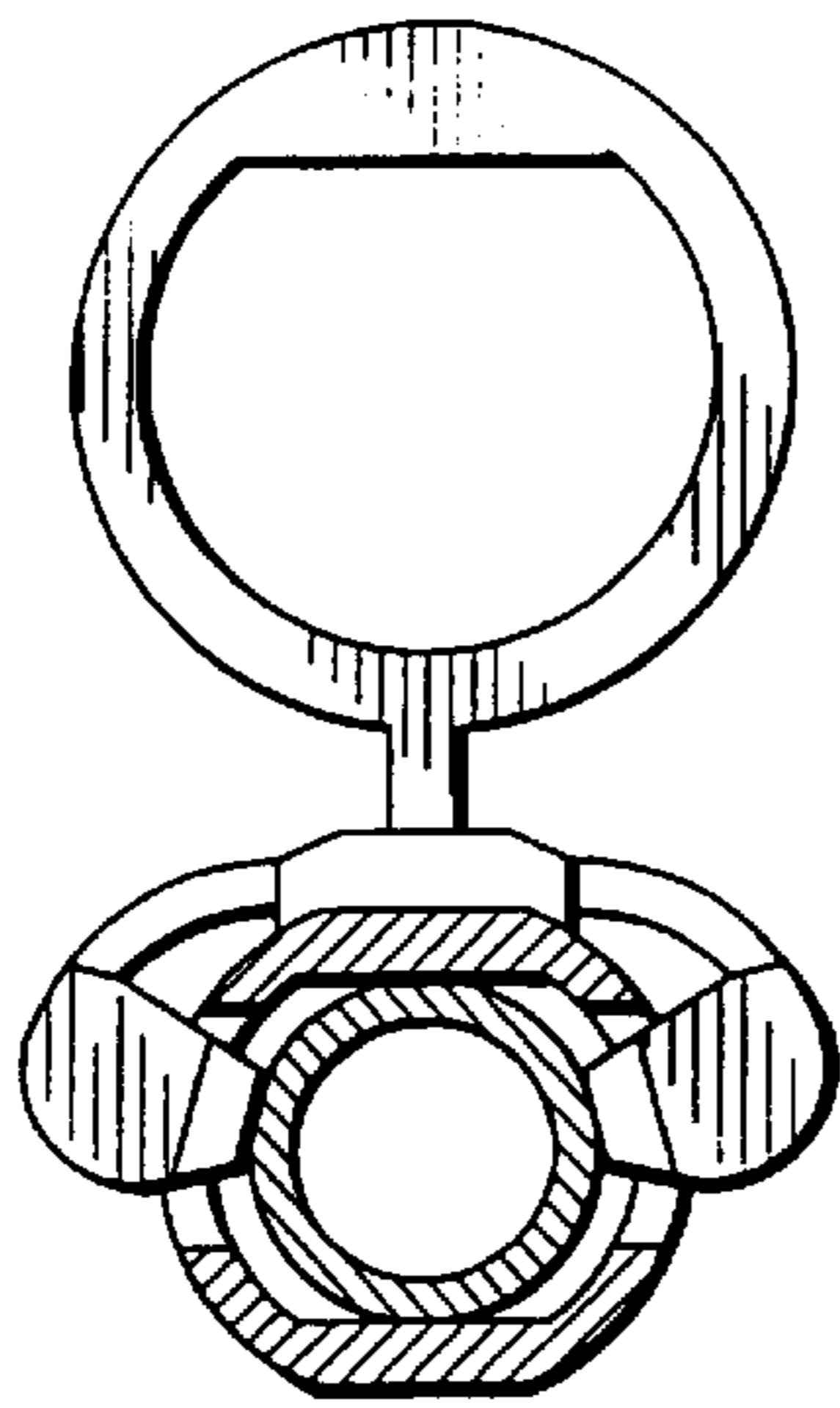
*FIG. 7*



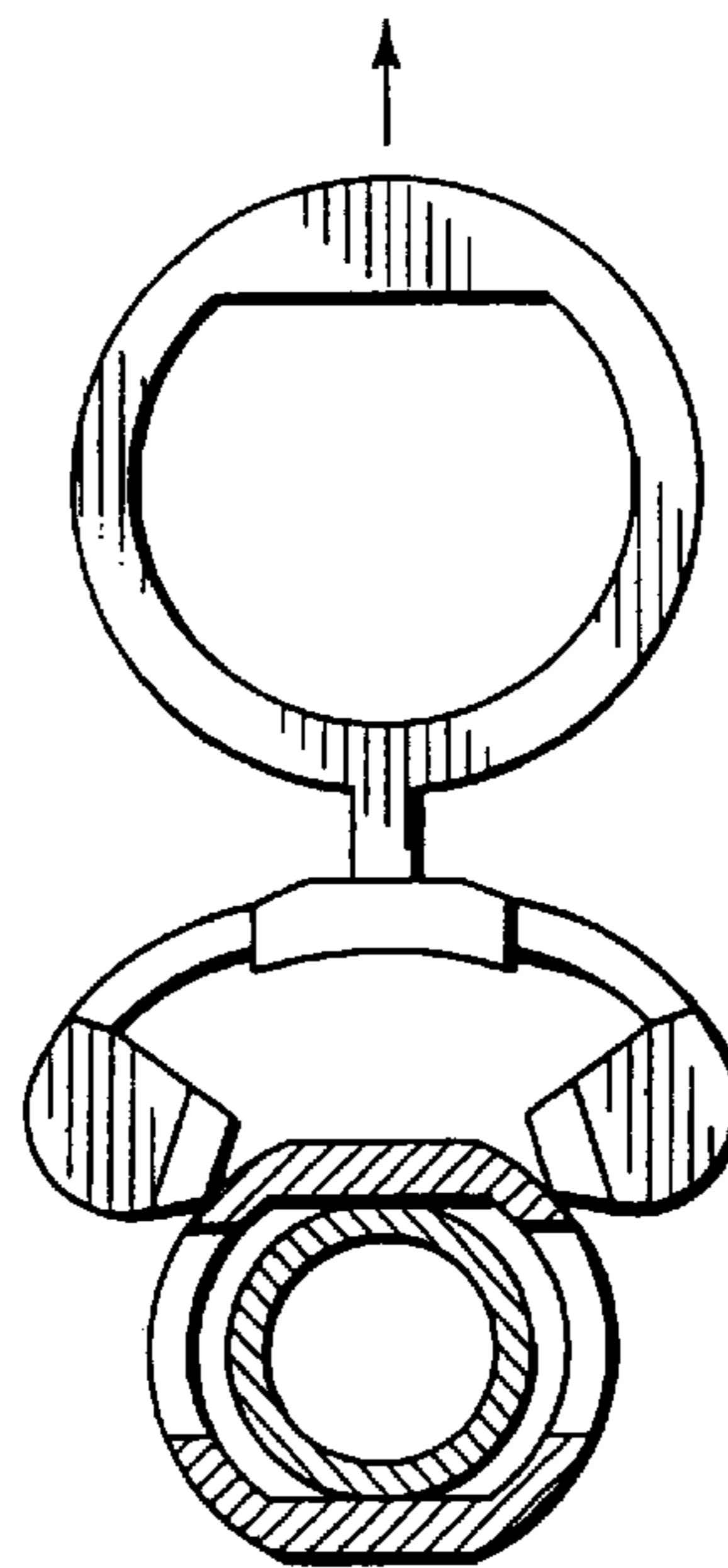
*FIG. 8*



*FIG. 9*



*FIG. 10*



*FIG. 11*