



US00D440284S

(12) **United States Design Patent**  
**Pitsch**

(10) **Patent No.:** **US D440,284 S**

(45) **Date of Patent:** **\*\* \*Apr. 10, 2001**

(54) **ESCUTCHEON**

D. 374,709 \* 10/1996 Doughty et al. .... D23/241  
5,375,272 \* 12/1994 Mikol ..... 4/695

(75) **Inventor:** **Walter Pitsch**, Franklin Park, NJ (US)

\* cited by examiner

(73) **Assignee:** **American Standard International Inc.**, New York, NY (US)

*Primary Examiner*—Louis S. Zarfaz  
*Assistant Examiner*—Robert A. Delehanty

(\*) **Notice:** This patent is subject to a terminal disclaimer.

(57) **CLAIM**

(\*\*) **Term:** **14 Years**

The ornamental design for a escutcheon, as shown and described.

(21) **Appl. No.:** **29/109,895**

**DESCRIPTION**

(22) **Filed:** **Aug. 25, 1999**

FIG. 1 is a perspective view of a escutcheon showing my new design;

(51) **LOC (7) Cl.** ..... **23-01**

FIG. 2 is a front elevational view thereof;

(52) **U.S. Cl.** ..... **D23/249; D23/241**

FIG. 3 is a rear elevational view thereof;

(58) **Field of Search** ..... D23/238–243,  
D23/250–257, 249; 4/675–678; 137/801

FIG. 4 is a top plan view thereof;

FIG. 5 is a bottom plan view thereof; and,

FIG. 6 is a right side elevational view thereof, the left side view being a mirror image of the right side.

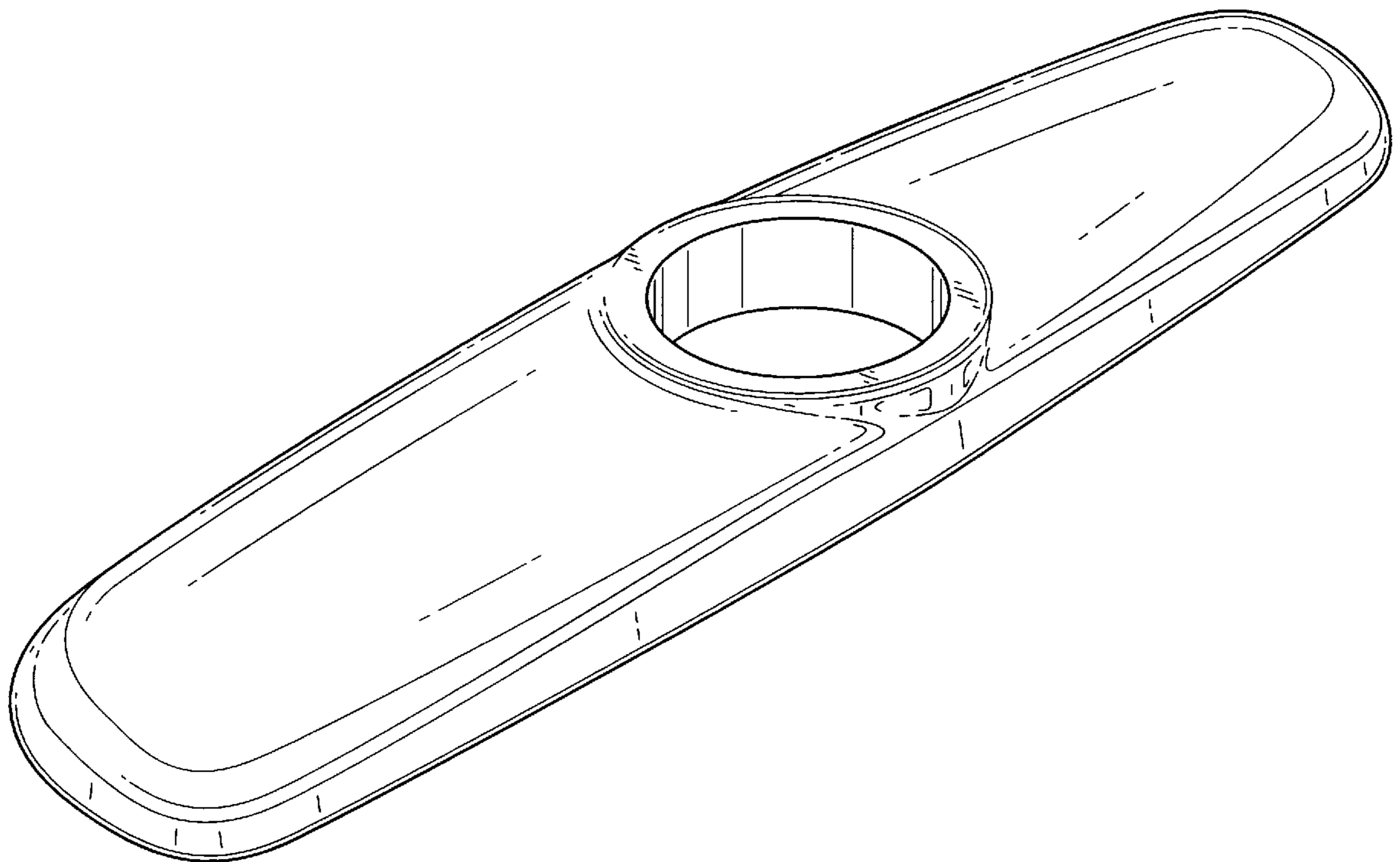
(56) **References Cited**

The broken lines are for illustrative purposes only and form no part of the claimed design.

**U.S. PATENT DOCUMENTS**

D. 260,677 \* 9/1981 Thevenot ..... D23/249

**1 Claim, 6 Drawing Sheets**



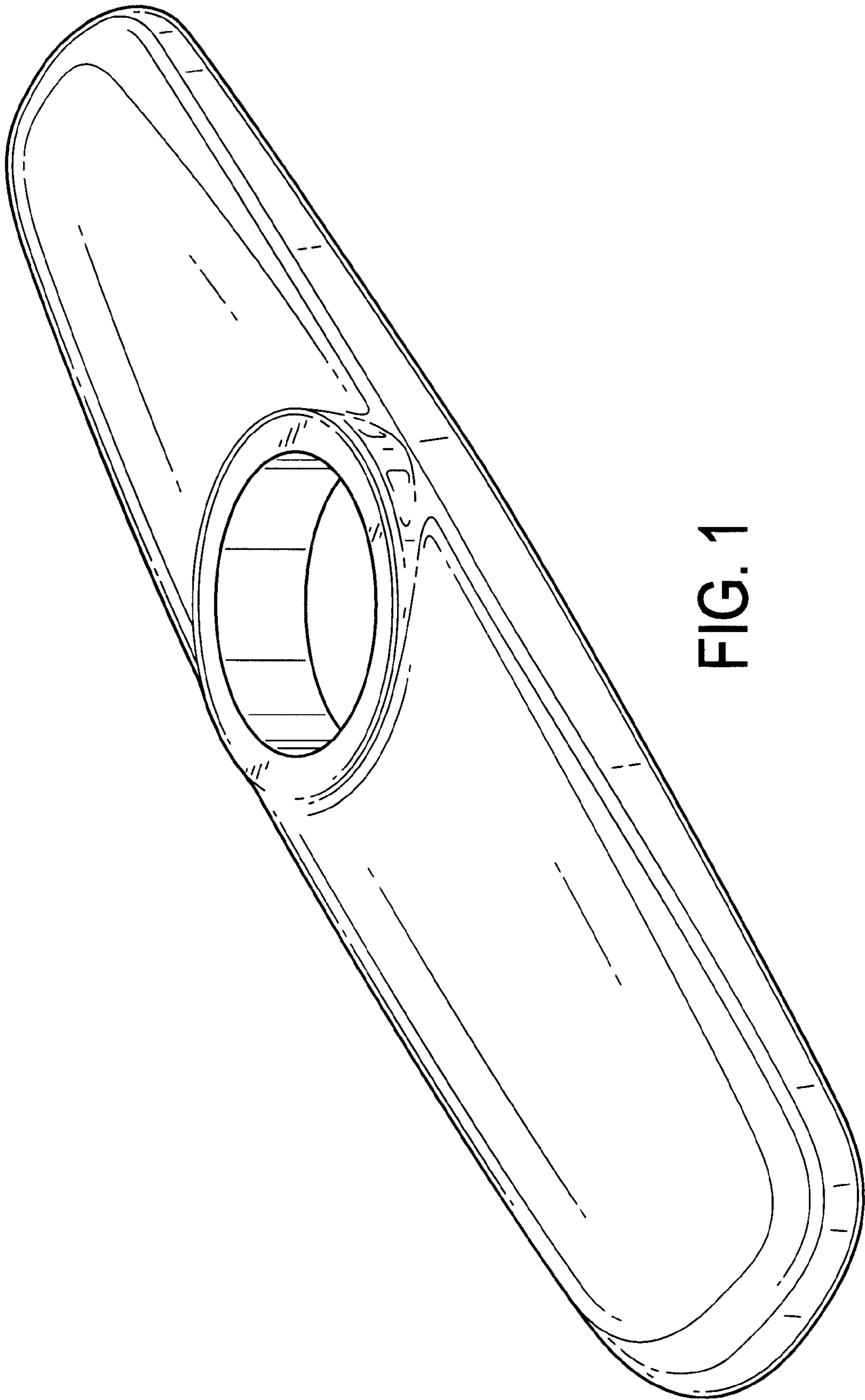


FIG. 1

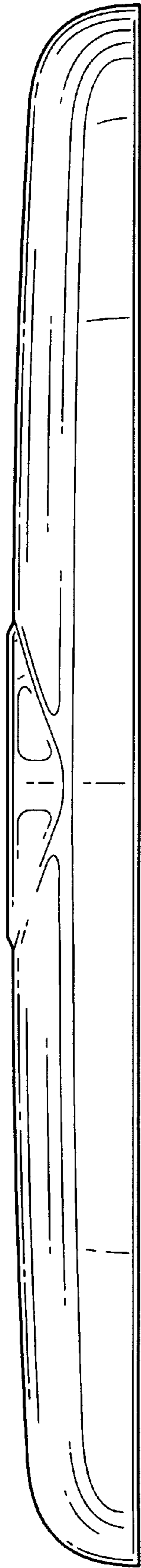


FIG. 2

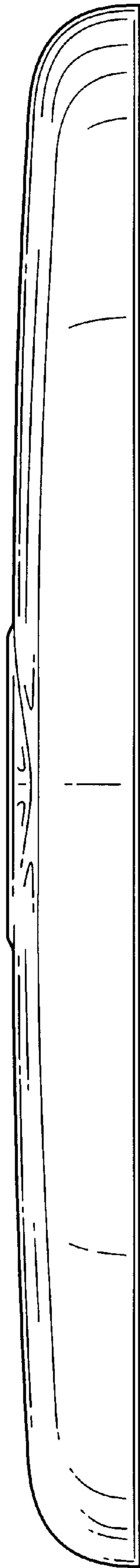


FIG. 3

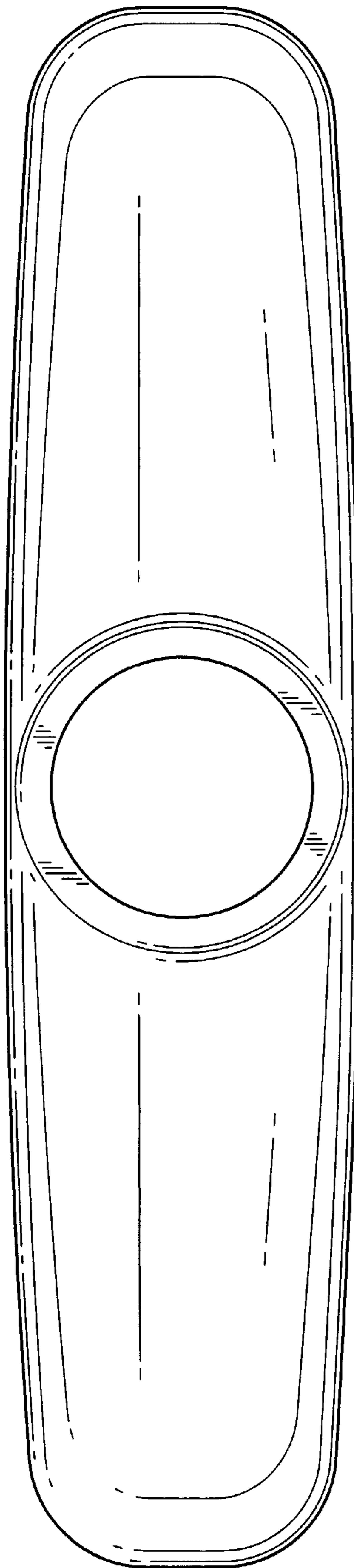


FIG. 4

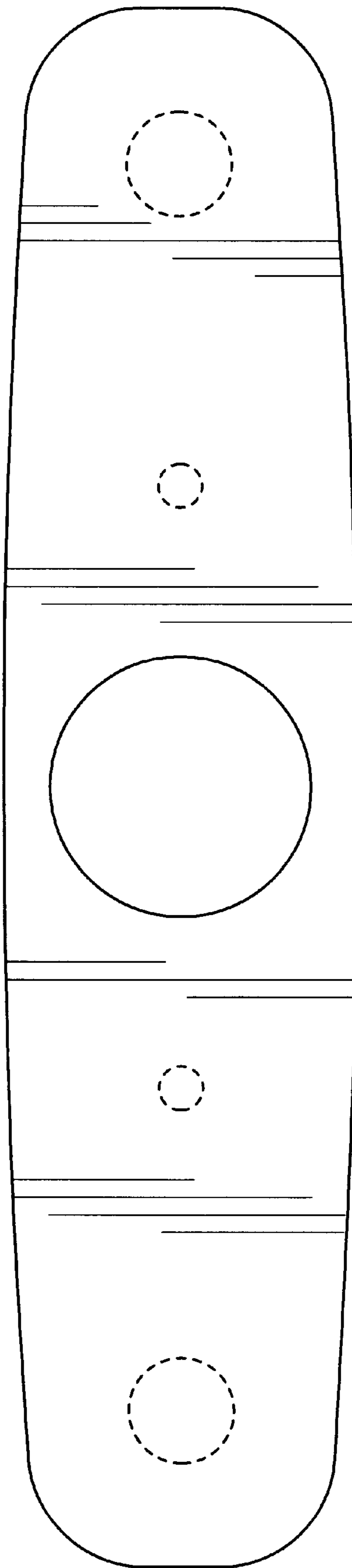
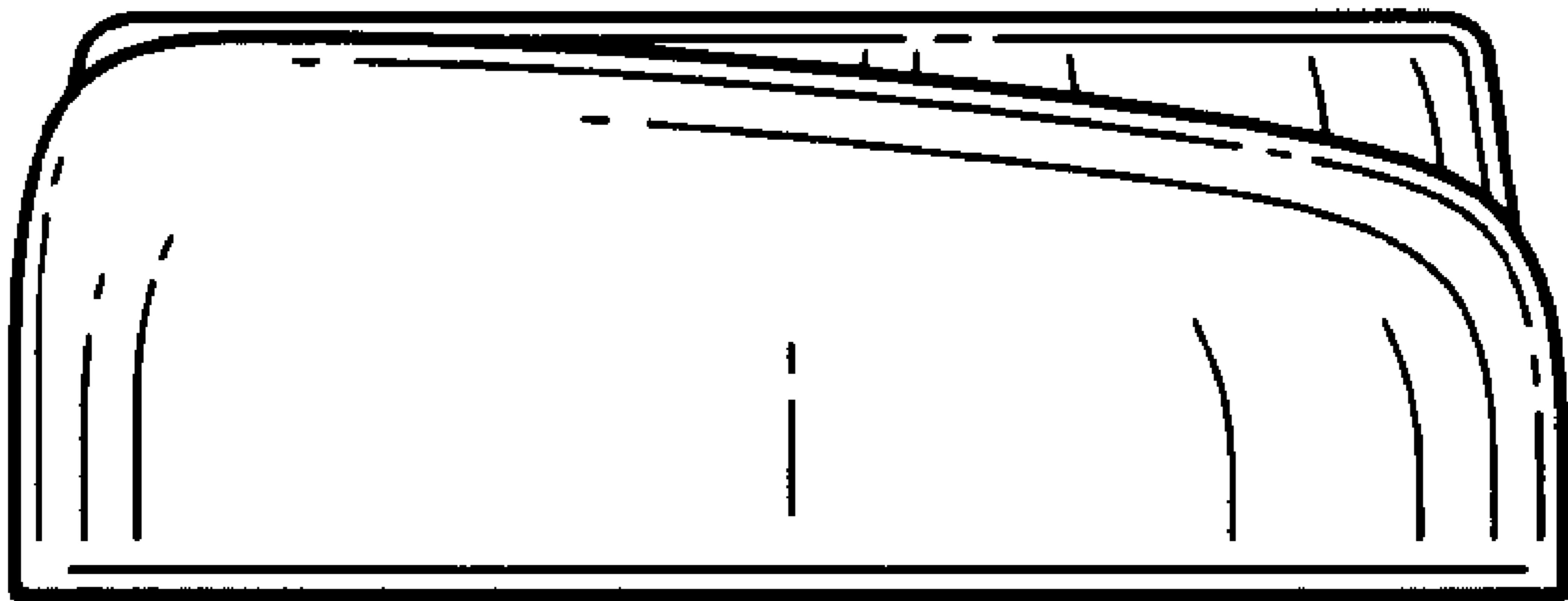


FIG. 5



**FIG. 6**