



US00D440283S

(12) **United States Design Patent**
Cain et al.

(10) **Patent No.:** **US D440,283 S**

(45) **Date of Patent:** **** Apr. 10, 2001**

(54) **GATE VALVE**

5,192,051 * 3/1993 Roberson 251/328
5,762,320 6/1998 Williams et al. .

(75) Inventors: **David E. Cain; Taylor L. Jones**, both
of Houston, TX (US)

* cited by examiner

(73) Assignee: **FMC Corporation**, Chicago, IL (US)

Primary Examiner—Robin V. Taylor

(74) *Attorney, Agent, or Firm*—Henry C. Query, Jr.

(**) Term: **14 Years**

(57) **CLAIM**

(21) Appl. No.: **29/126,364**

The ornamental design for a gate valve, as shown and described.

(22) Filed: **Jul. 13, 2000**

DESCRIPTION

(51) **LOC (7) Cl.** **23-01**

(52) **U.S. Cl.** **D23/244**

(58) **Field of Search** D23/233-6, 244-5;
251/305, 331, 326, 328

FIG. 1 is a perspective view of the gate valve showing our new design;

FIG. 2 is a front elevational view thereof;

FIG. 3 is a back elevational view thereof;

FIG. 4 is a left side elevational view thereof, the right side elevational view being substantially a mirror image of the left side elevational view;

FIG. 5 is a top plan view thereof; and,

FIG. 6 is a bottom plan view thereof.

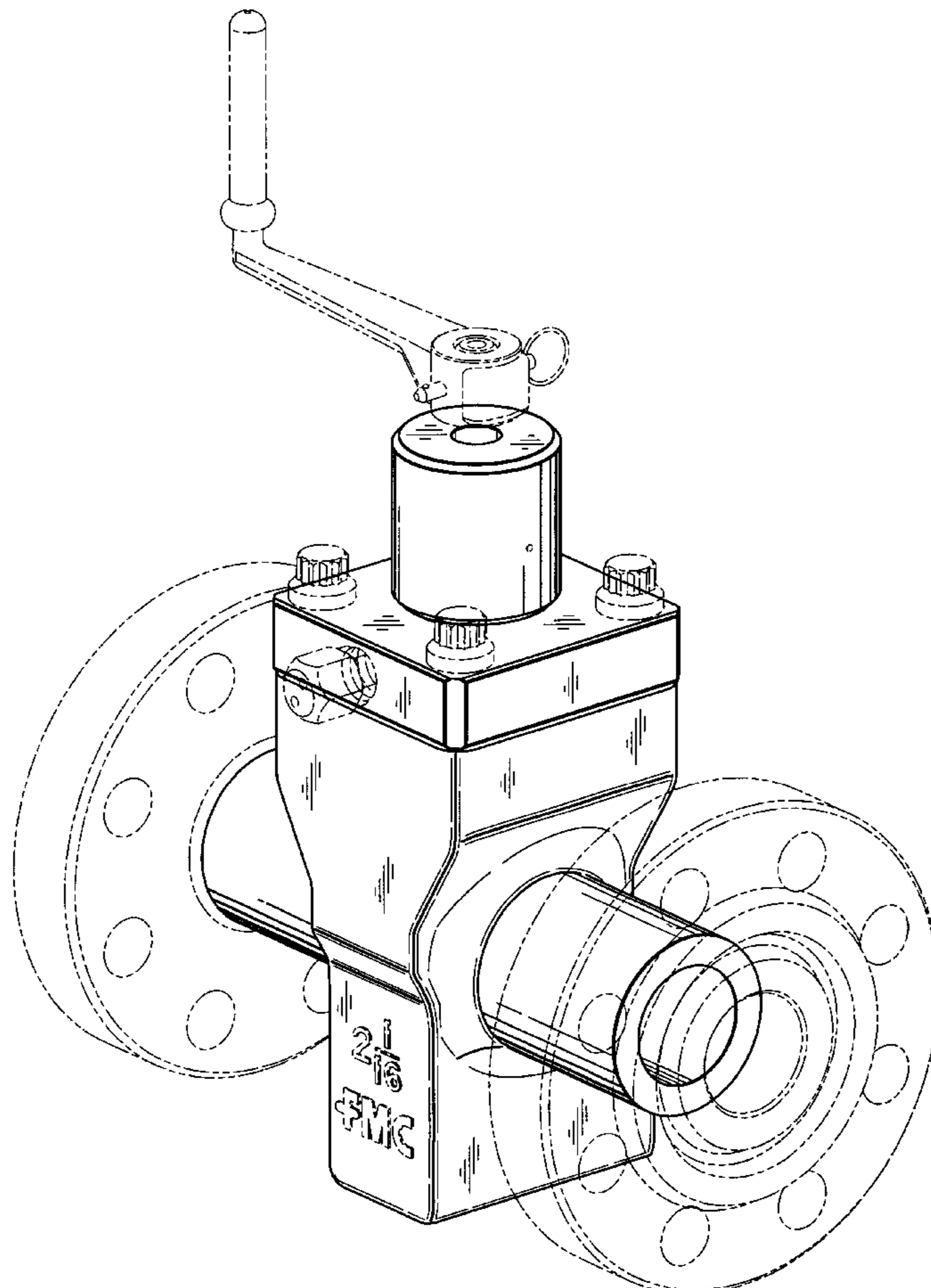
The components shown in broken lines are for illustrative purposes only and form no part of the claimed design.

(56) **References Cited**

U.S. PATENT DOCUMENTS

D. 344,785	*	3/1994	Brown et al.	D23/245
D. 352,094	*	11/1994	Baker	D23/244
D. 370,054	*	5/1996	Nakadaira et al.	D23/245
D. 403,049	*	12/1998	Ohtani et al.	D23/233
4,971,098	*	11/1990	Stroud	137/328

1 Claim, 6 Drawing Sheets



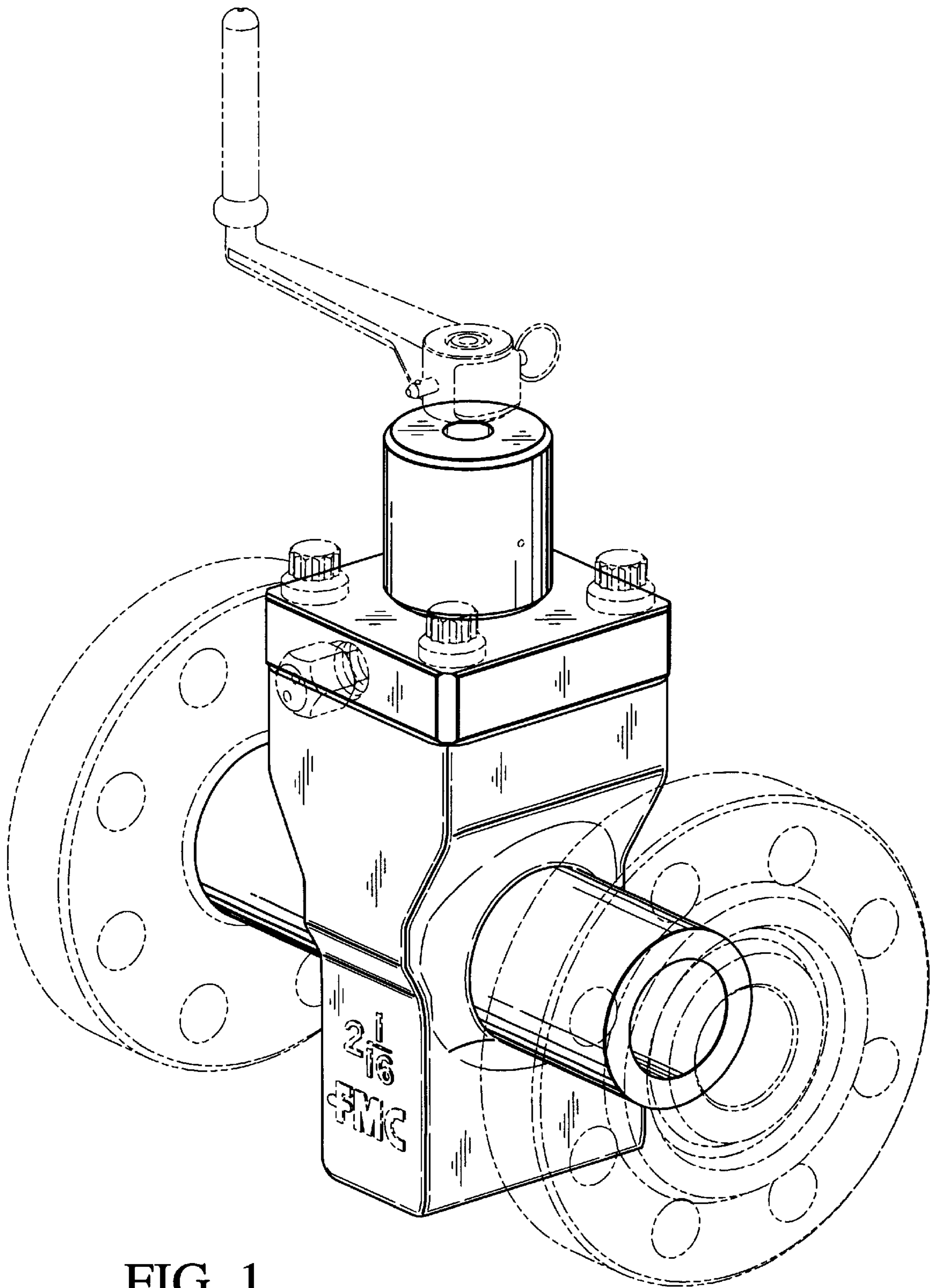


FIG. 1

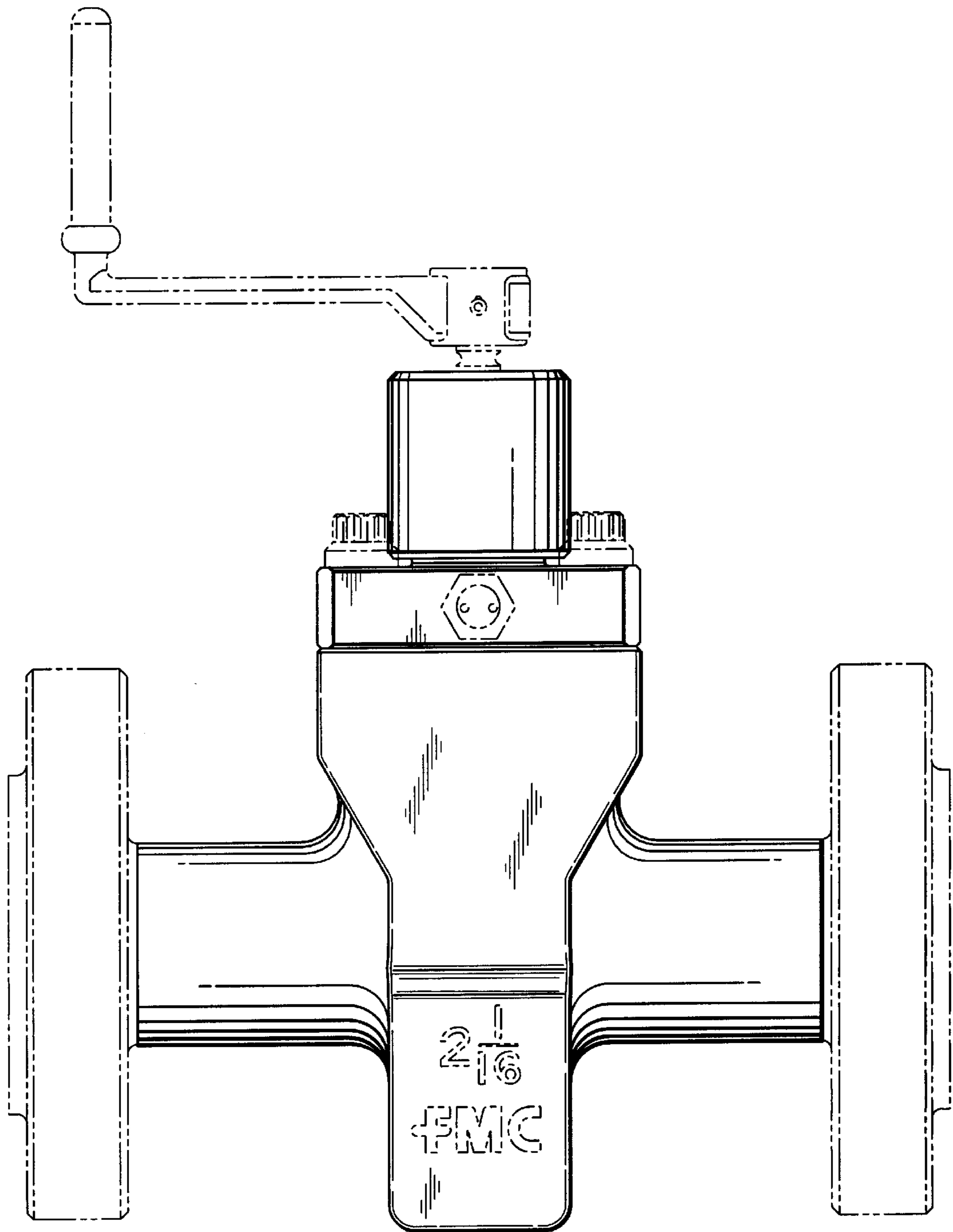


FIG. 2

FIG. 3

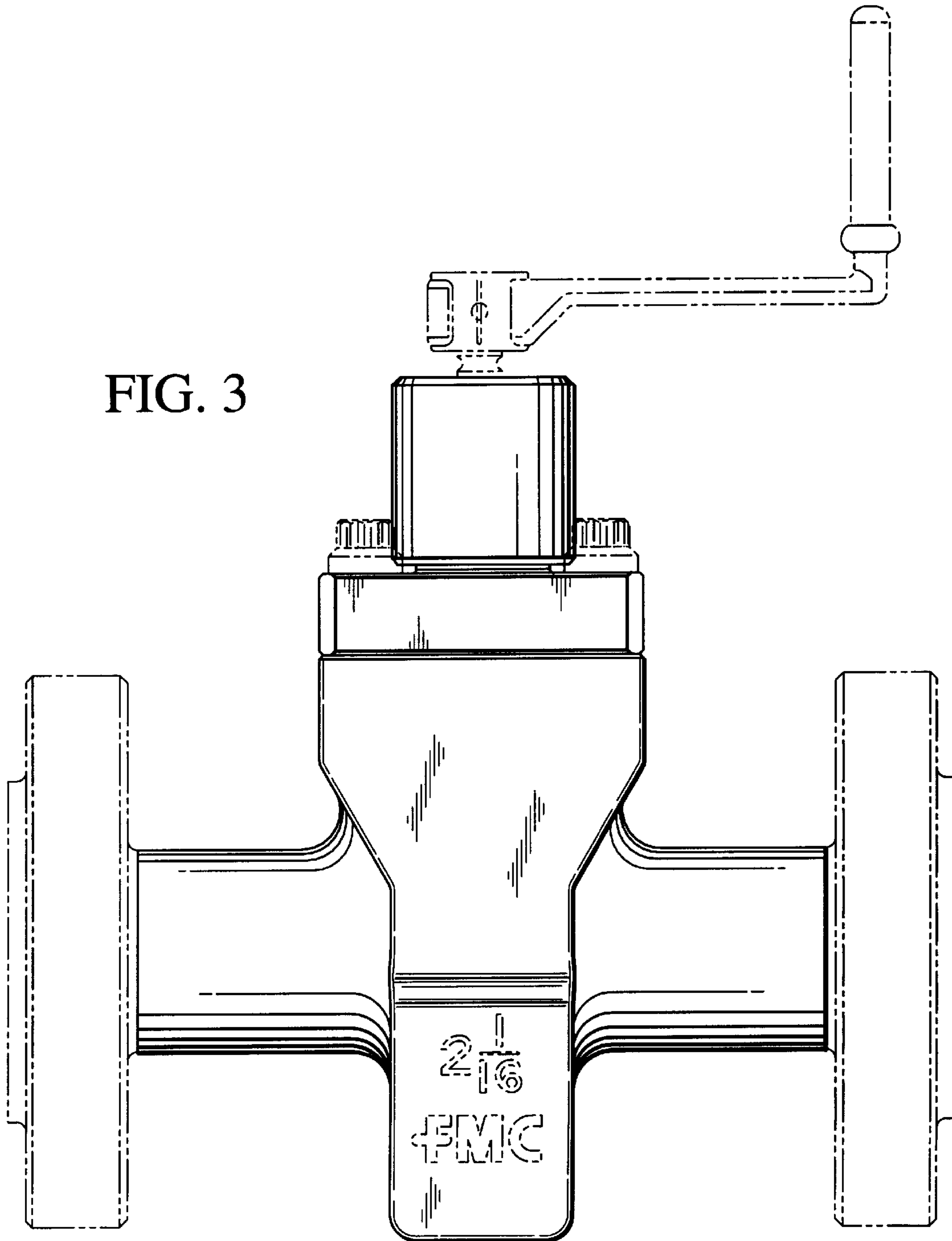
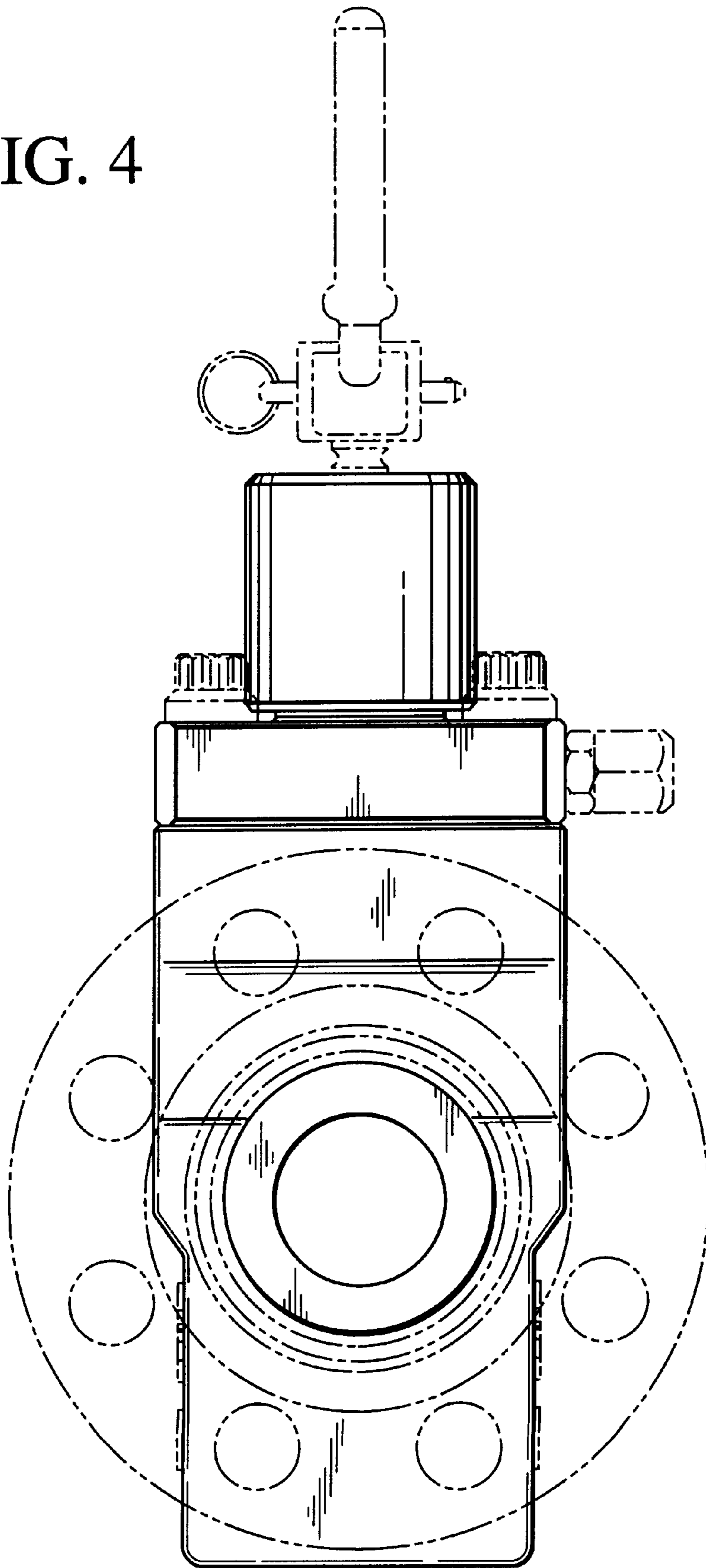


FIG. 4



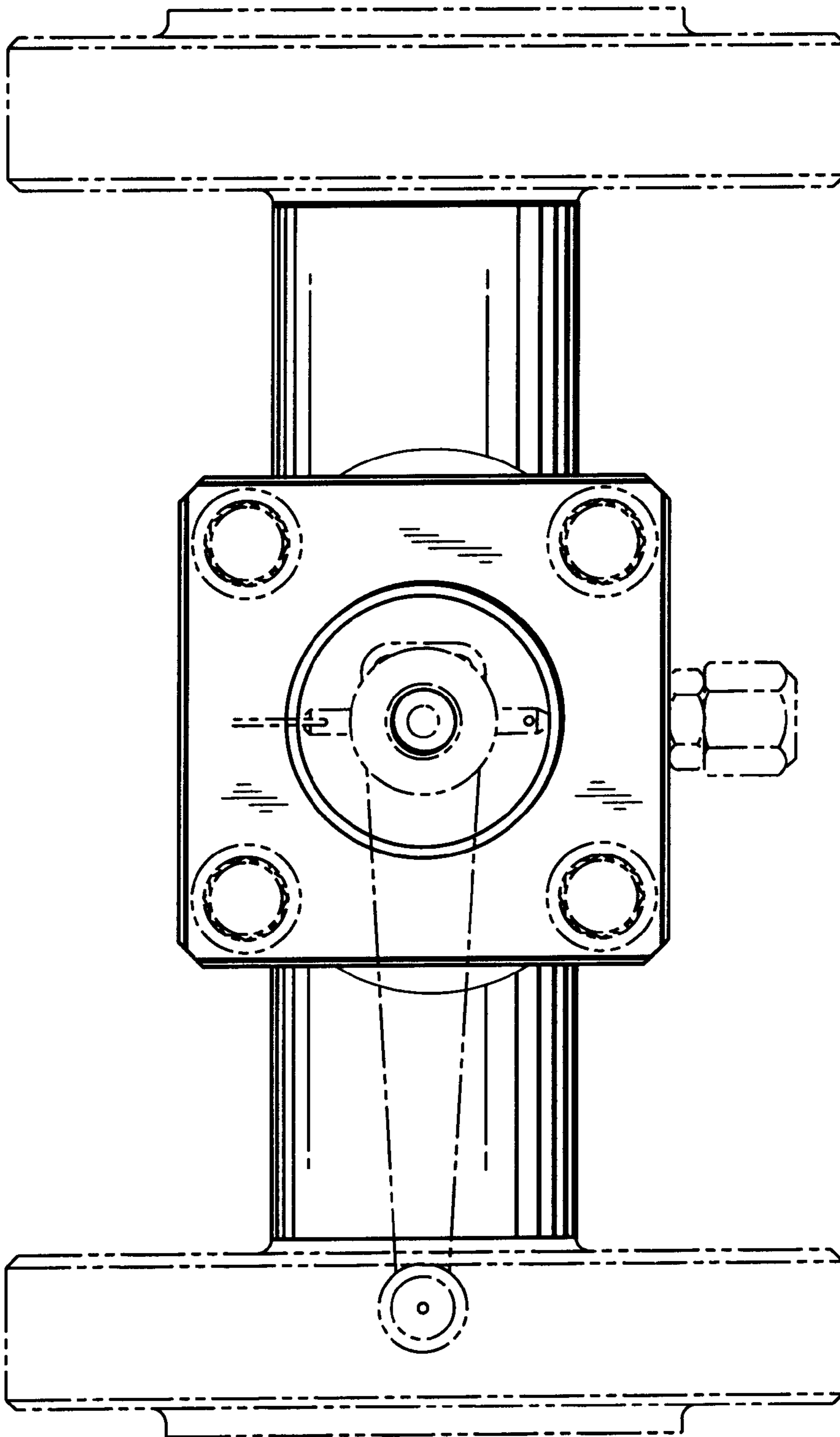


FIG. 5

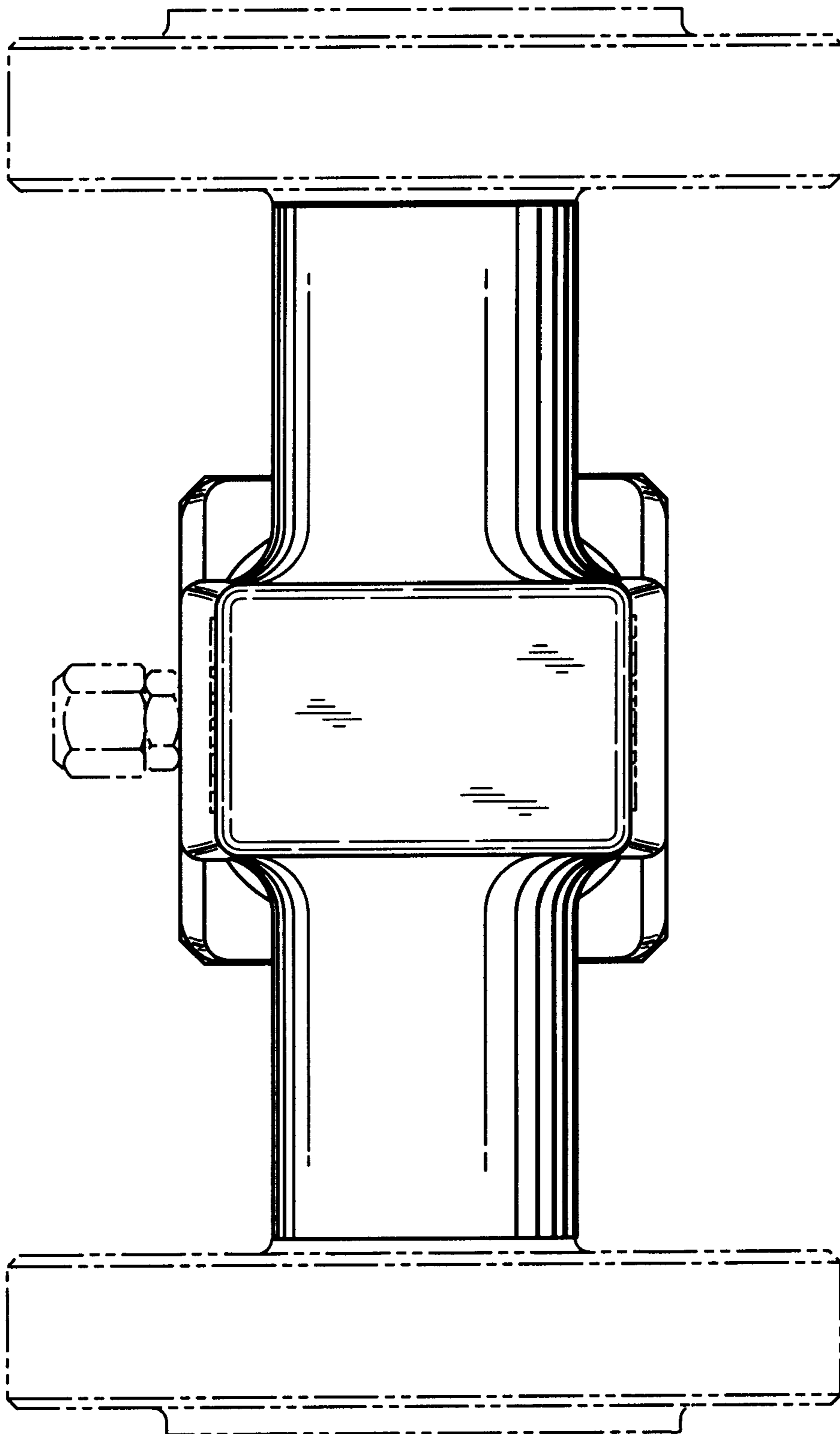


FIG. 6