



US00D440282S

(12) **United States Design Patent**
Lord

(10) **Patent No.:** **US D440,282 S**

(45) **Date of Patent:** **** *Apr. 10, 2001**

(54) **FAUCET**

(75) **Inventor:** **Judd A. Lord**, Carmel, IN (US)

(73) **Assignee:** **Masco Corporation of Indiana**,
Indianapolis, IN (US)

(*) **Notice:** This patent is subject to a terminal disclaimer.

(**) **Term:** **14 Years**

(21) **Appl. No.:** **29/117,575**

(22) **Filed:** **Jan. 27, 2000**

(51) **LOC (7) Cl.** **23-01**

(52) **U.S. Cl.** **D23/241**

(58) **Field of Search** D23/238-257;
D8/301-308, 310; 4/675-678; 137/801

(56) **References Cited**

U.S. PATENT DOCUMENTS

D. 60,347	*	2/1922	Kersten	D23/241
D. 207,044	*	2/1967	Hurwitz	D23/241
D. 276,259		11/1984	Miller	.	
D. 288,835		3/1987	Yost	.	
D. 293,362		12/1987	Hill et al.	.	
D. 295,551		5/1988	Yost	.	
D. 318,906		8/1991	Spangler	.	
D. 320,645		10/1991	Knapp et al.	.	
D. 321,750		11/1991	Spangler	.	
D. 355,578	*	2/1995	Mark et al.	D8/308
D. 357,525	*	4/1995	Fabian	D23/252
D. 363,536		10/1995	Hill et al.	.	
D. 363,766		10/1995	Hill et al.	.	
D. 363,974	*	11/1995	Doughty et al.	D23/241
D. 364,218		11/1995	Hill et al.	.	
D. 364,219		11/1995	Hill et al.	.	
D. 364,220		11/1995	Hill et al.	.	

D. 365,384	*	12/1995	Robbins	D23/252
D. 366,099		1/1996	Hill et al.	.	
D. 367,701		3/1996	Hill et al.	.	
D. 367,920		3/1996	Hill et al.	.	
D. 374,709	*	10/1996	Doughty et al.	D23/249
D. 392,720	*	3/1998	Doughty et al.	D23/250
D. 418,578	*	1/2000	Warshawsky et al.	D23/241

OTHER PUBLICATIONS

Delta 1994 Full-Line Price List, (c) 1994 Masco Corporation of Indiana, pp. 14, 21-22, 26-27, 44-45.

Kohler K-500 Design Manual, from the examiner's collection, p. 40 Taboret Faucet, Oct. 1990.*

* cited by examiner

Primary Examiner—Louis S. Zarfes

Assistant Examiner—Gregory Andoll

(74) *Attorney, Agent, or Firm*—Myron B. Kapustij; Lloyd D. Doigan

(57) **CLAIM**

The ornamental design for a faucet, as shown and described.

DESCRIPTION

FIG. 1 is a rear perspective view of the faucet showing my new design;

FIG. 2 is a front perspective view thereof;

FIG. 3 is a right side elevational view thereof, the left side being a mirror image;

FIG. 4 is a front elevational view thereof;

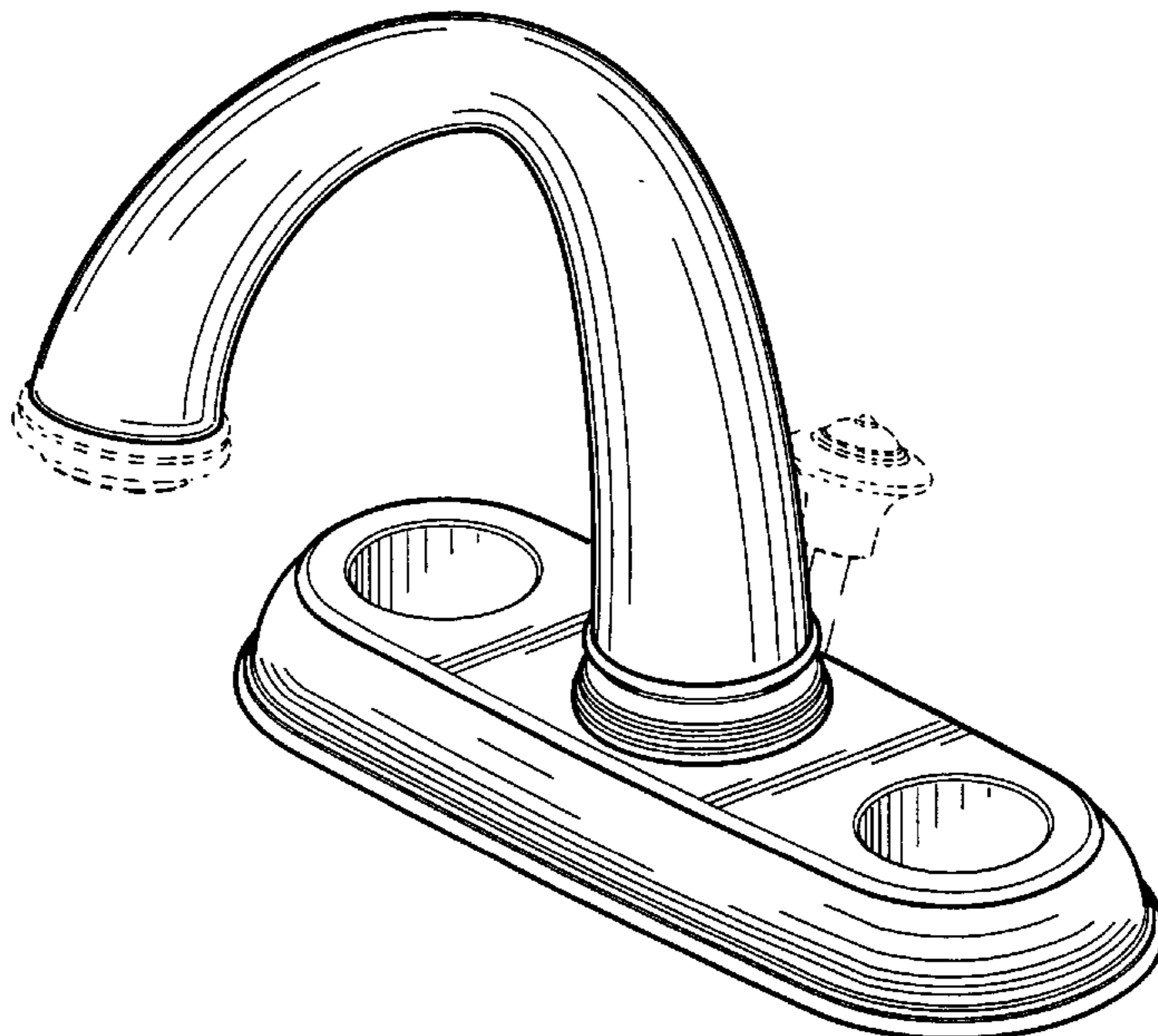
FIG. 5 is a top plan view thereof;

FIG. 6 is a rear elevational view thereof; and,

FIG. 7 is a bottom plan view thereof.

The broken line showing of the lift rod and aerator in FIG. 2 and the apertures in FIG. 7 are for purposes of illustration only and form no part of the claimed design.

1 Claim, 4 Drawing Sheets



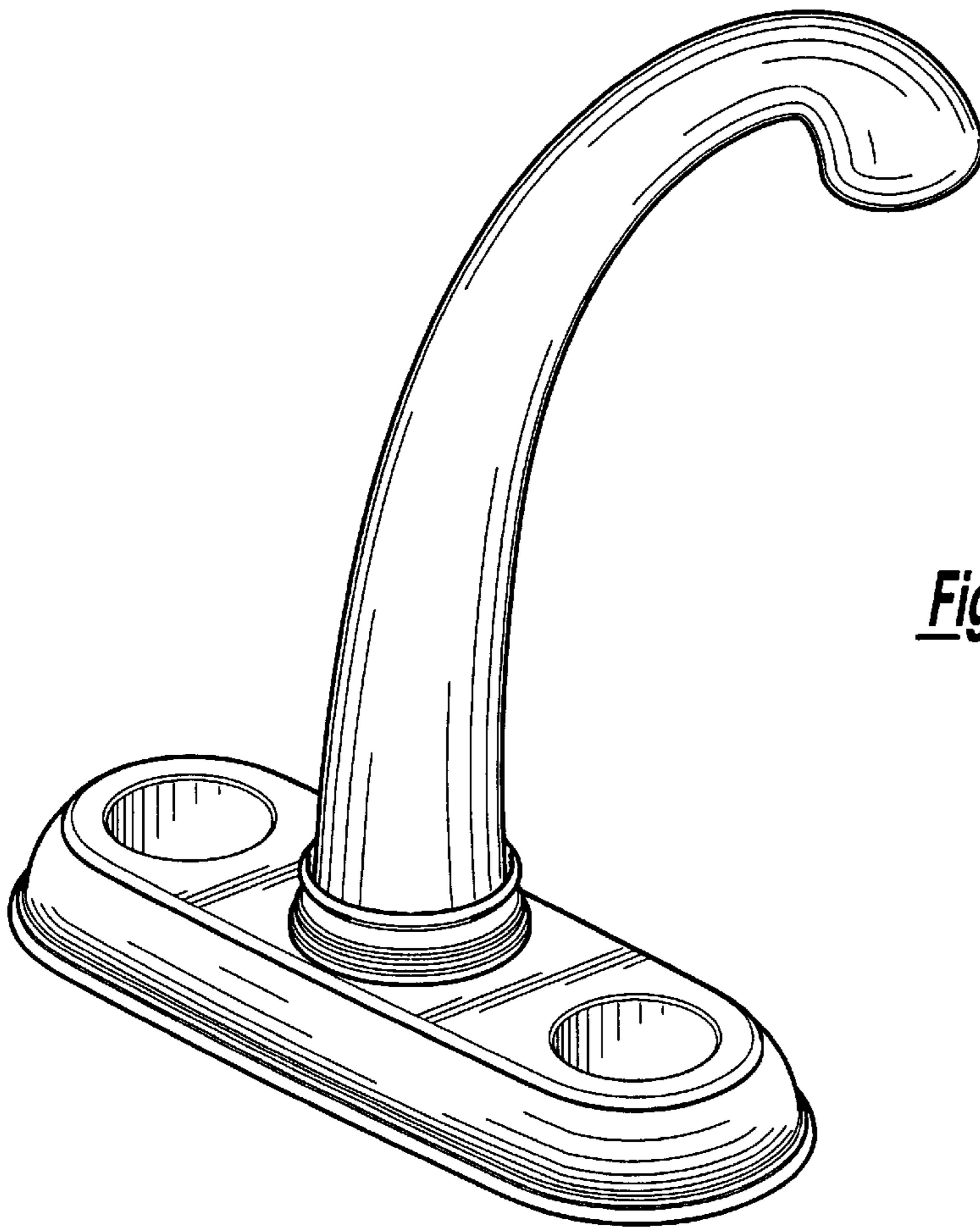


Figure - 1

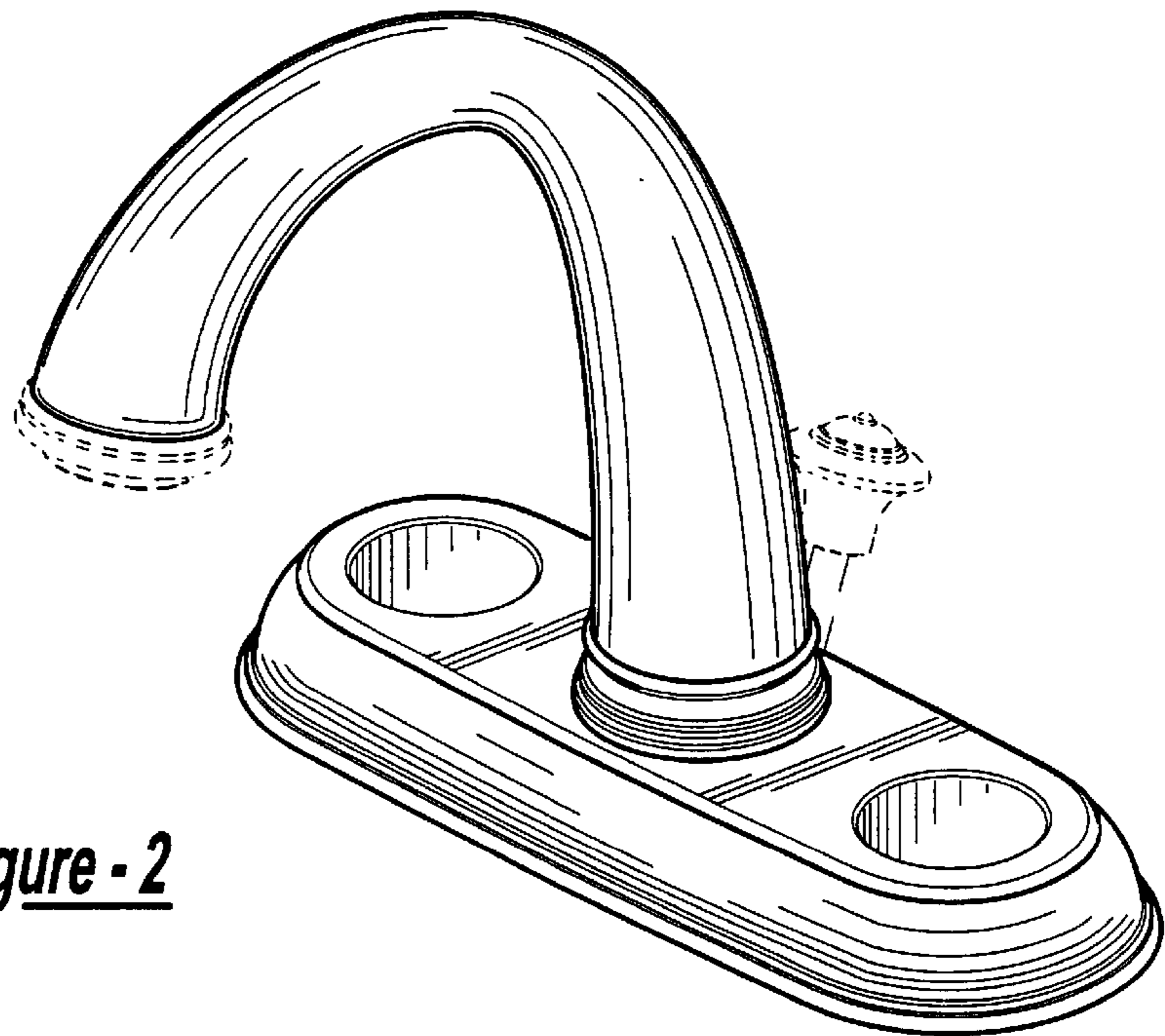


Figure - 2

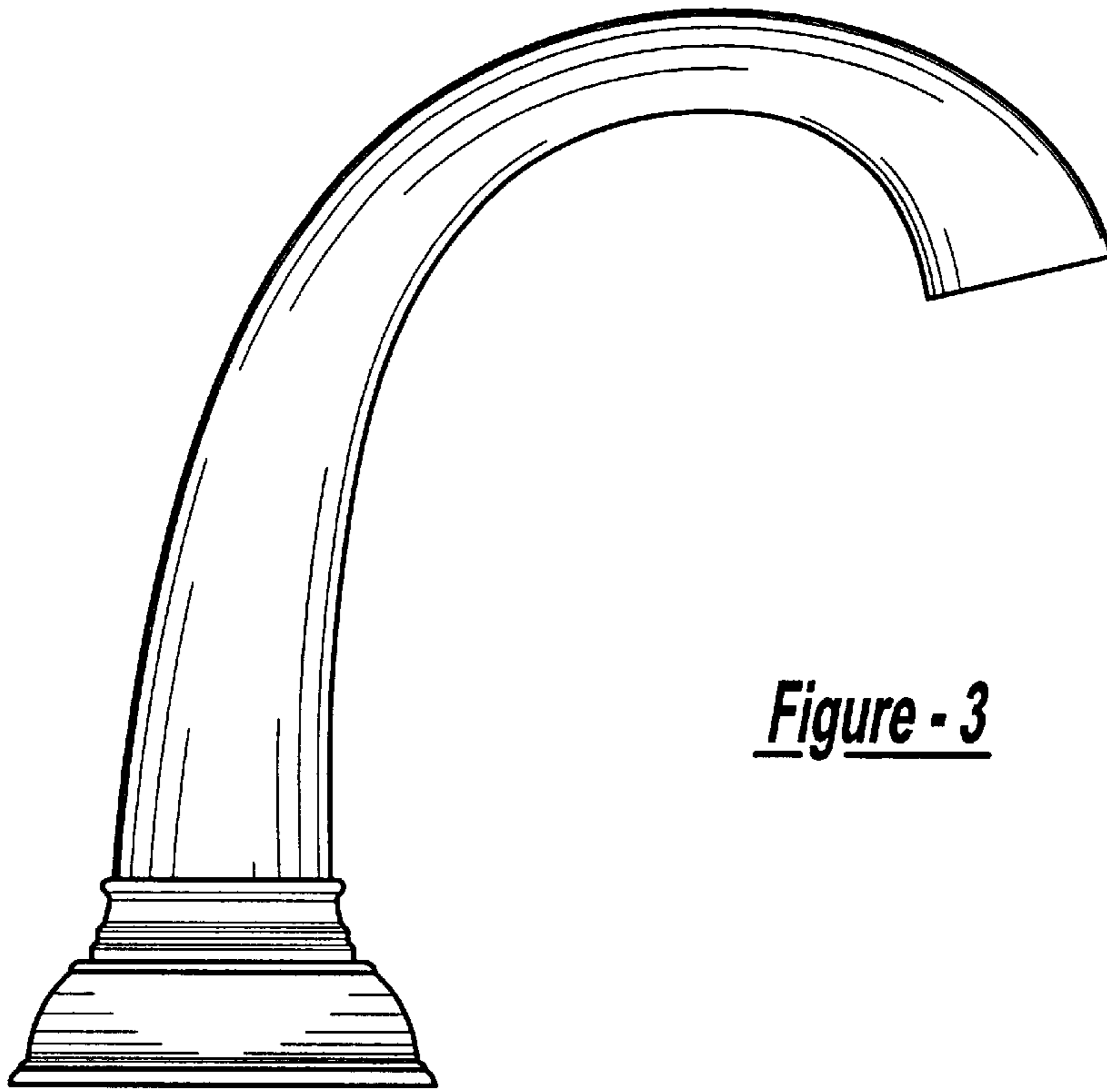
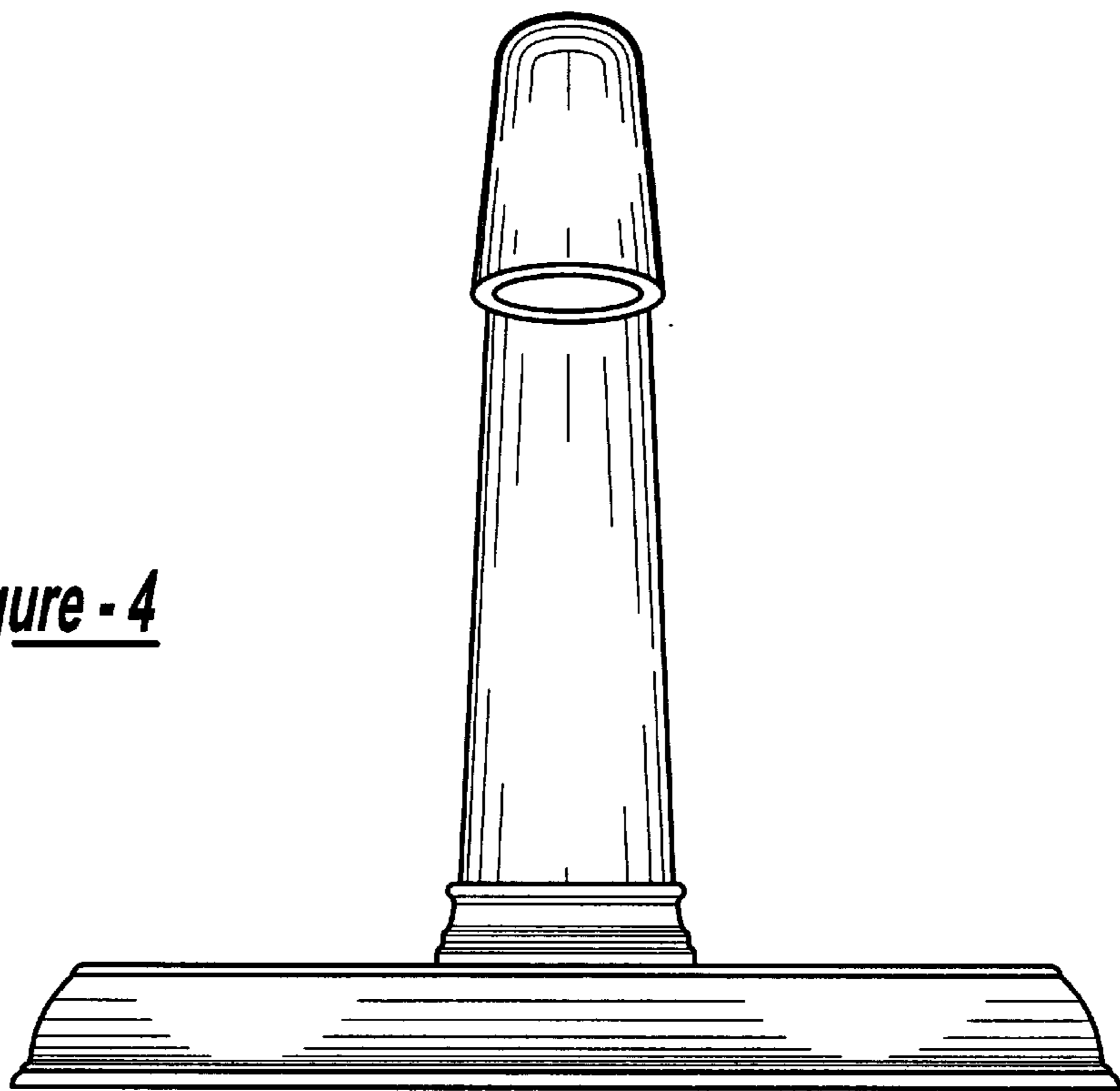


Figure - 3

Figure - 4



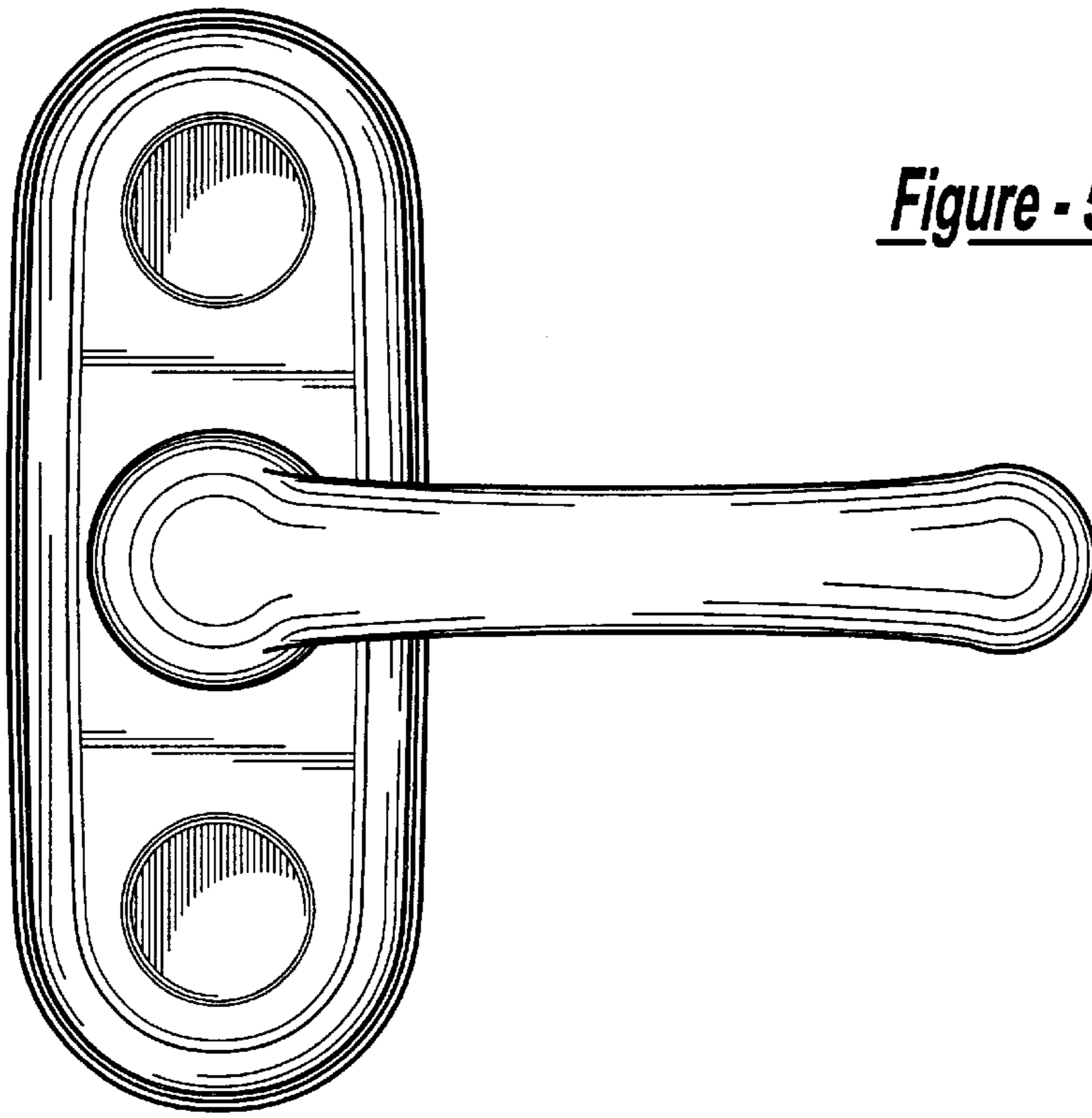


Figure - 5

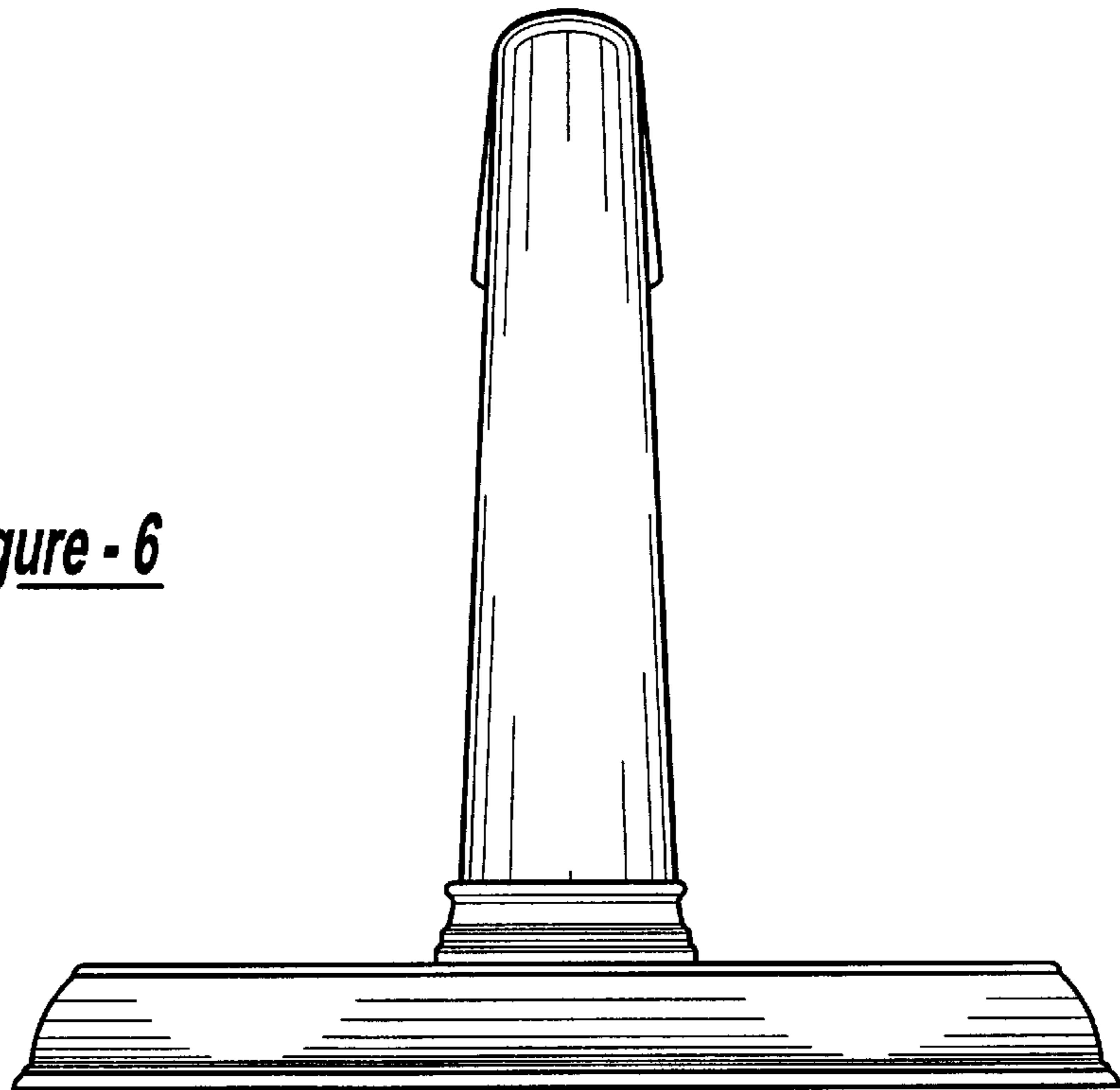


Figure - 6

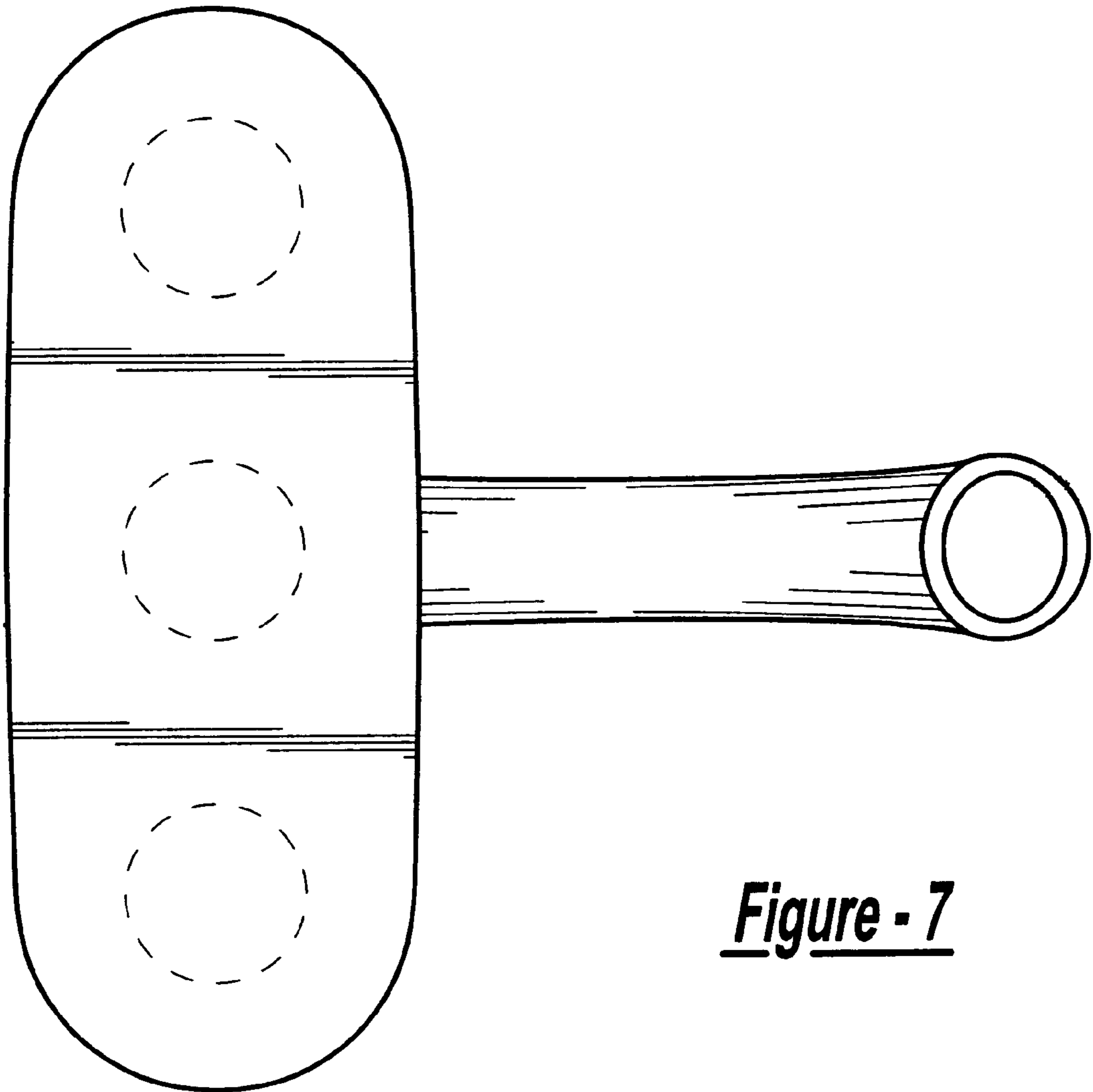


Figure - 7