



US00D440273S

(12) **United States Design Patent**
Hindi

(10) **Patent No.: US D440,273 S**

(45) **Date of Patent: ** *Apr. 10, 2001**

(54) **EXPANDABLE POLICE BATON WITH BULBOUS END CAP**

5,320,348 6/1994 Starrett 273/84 R
5,728,003 3/1998 Hustad 463/47.2
6,135,888 10/2000 Hindi 463/47.2

(76) Inventor: **Robert C. Hindi**, 8034 Innsdale Ct.,
Las Vegas, NV (US) 89123

OTHER PUBLICATIONS

(**) Term: **14 Years**

U.S. Patent Application Ser. No. 09/173,135 (Which Issued as Patent No. 6,135,888.

(21) Appl. No.: **29/116,212**

* cited by examiner

(22) Filed: **Dec. 29, 1999**

Primary Examiner—Louis S. Zarfaz

(51) **LOC (7) Cl. 22-02**

Assistant Examiner—Inga-Maria Hyttinen

(52) **U.S. Cl. D22/117**

(74) *Attorney, Agent, or Firm*—Jay G. Taylor; Russell E. Fowler, II; Ice Miller

(58) **Field of Search D22/117; 135/65, 135/75**

(57) **CLAIM**

(56) **References Cited**

The ornamental design for an expandable police baton with bulbous end cap, as shown and described.

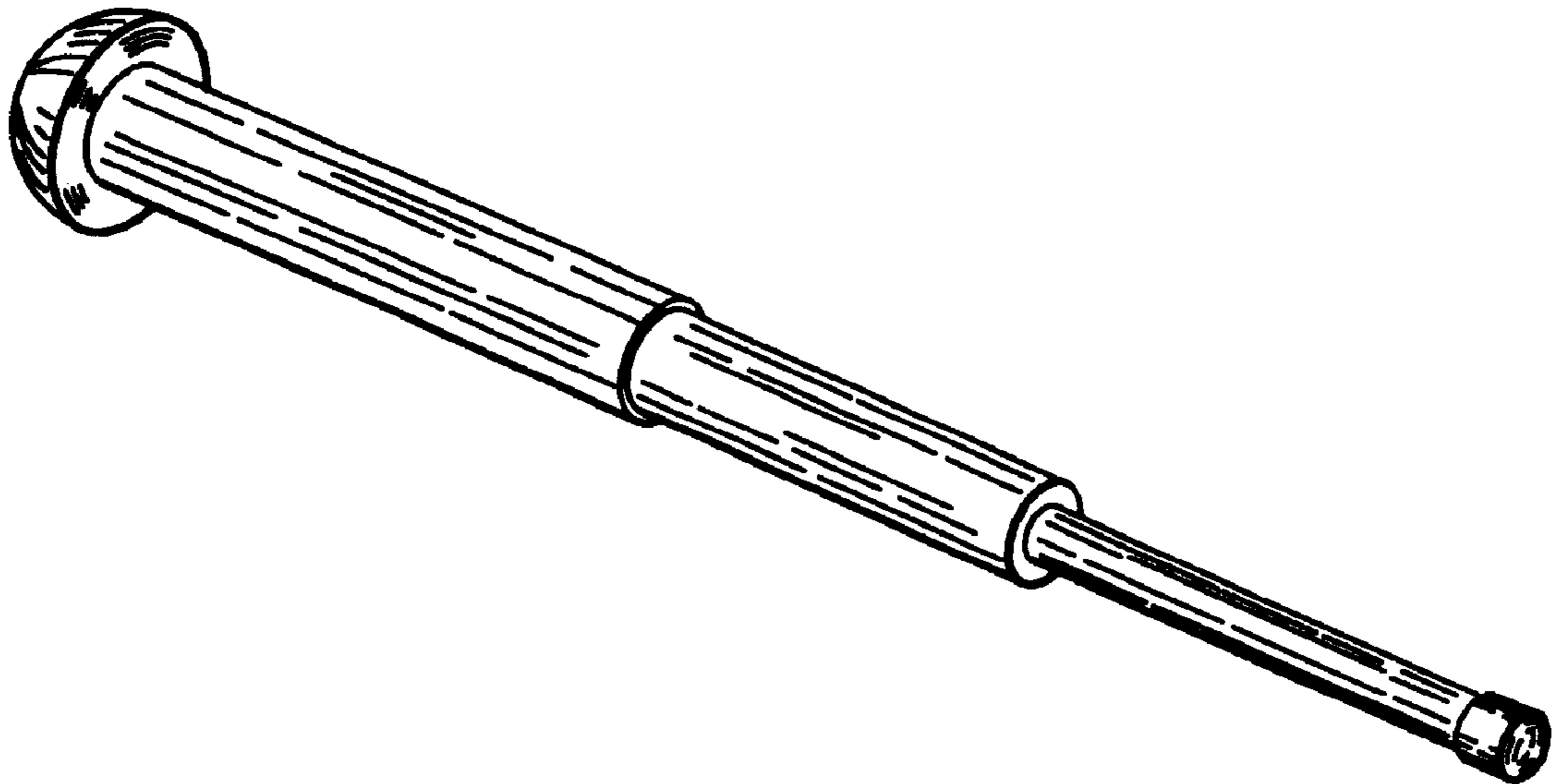
U.S. PATENT DOCUMENTS

DESCRIPTION

| | | | |
|------------|-----------|-------------------|----------|
| 83,228 | 10/1868 | Warne . | |
| 280,485 | * 7/1883 | Knapp | 135/65 |
| 289,722 | * 12/1883 | Smith | 135/65 |
| D. 301,363 | * 5/1989 | Smith | D22/117 |
| 341,715 | * 5/1886 | Allen | 135/75 |
| D. 360,007 | 7/1995 | Farr | D21/210 |
| D. 404,789 | * 1/1999 | Starrett | D22/117 |
| 1,109,736 | * 9/1914 | Cartwright | 135/75 |
| 1,165,216 | 12/1915 | Weffen . | |
| 2,725,066 | * 11/1955 | Estes et al. | 135/75 |
| 4,037,839 | 7/1977 | Nelson | 273/84 |
| 5,149,092 | * 9/1992 | Parsons | D22/117 |
| 5,160,140 | 11/1992 | Starrett | 273/84 R |
| 5,180,164 | 1/1993 | Celaya | 273/84 R |

FIG. 1 is a side elevational view of an expandable police baton showing my new design;
FIG. 2 is a tip-end perspective view of the expandable police baton of FIG. 1;
FIG. 3 is a bulb-end perspective view of the expandable baton of FIG. 1;
FIG. 4 is a top view of the expandable police baton of FIG. 1 from the bulb-end; and,
FIG. 5 is a bottom view of the expandable police baton of FIG. 1 from the tip-end.

1 Claim, 1 Drawing Sheet



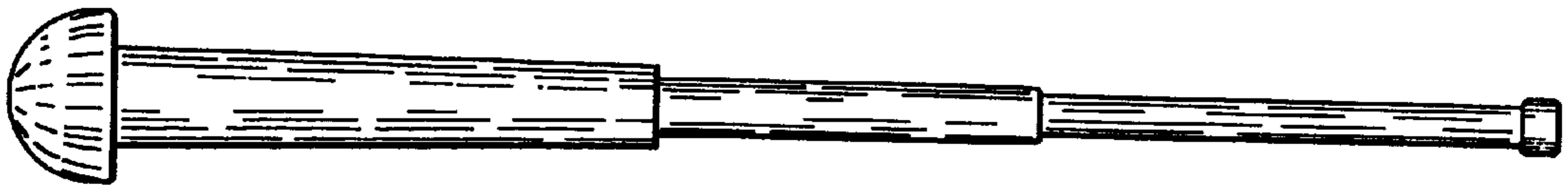


FIG. 1

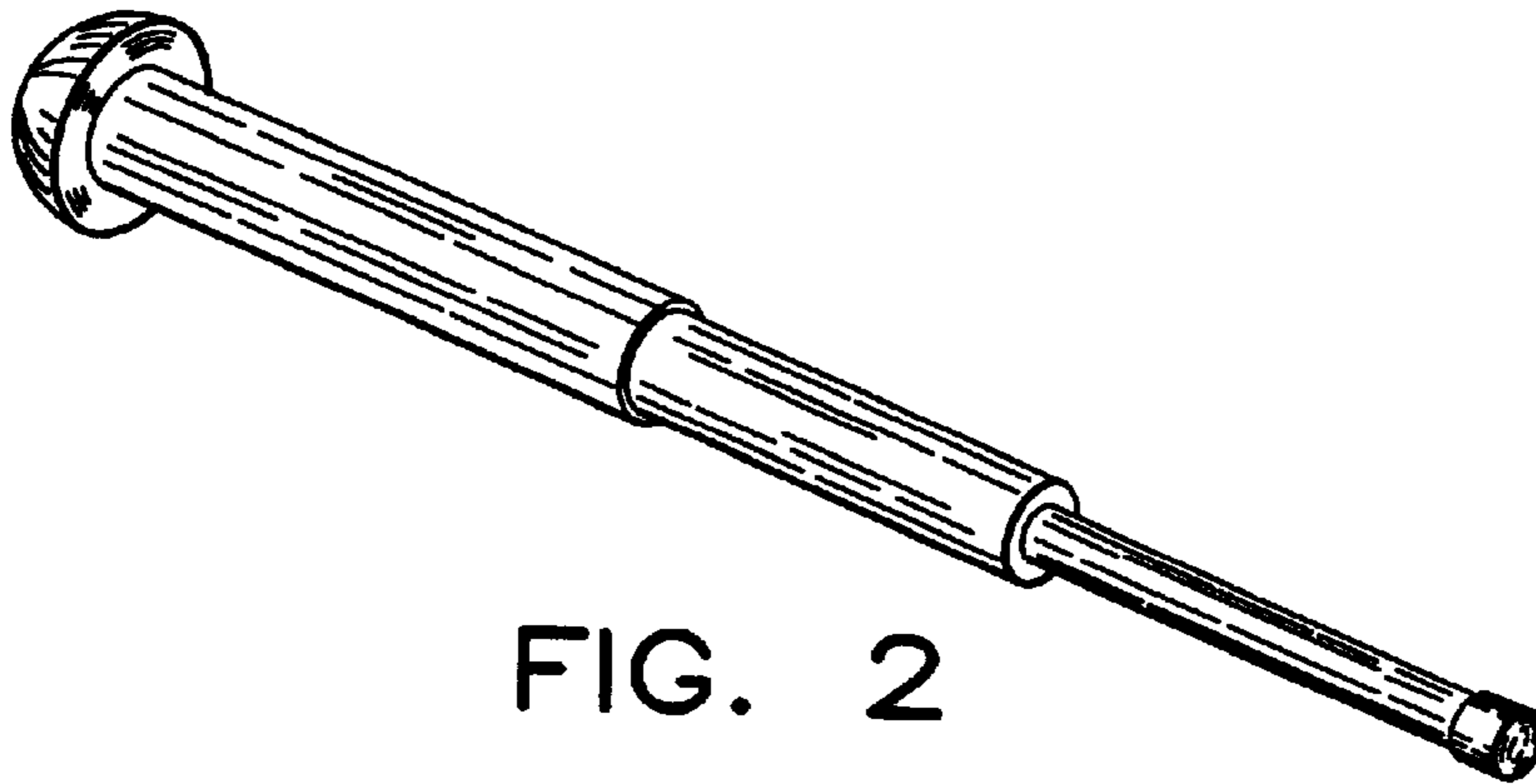


FIG. 2

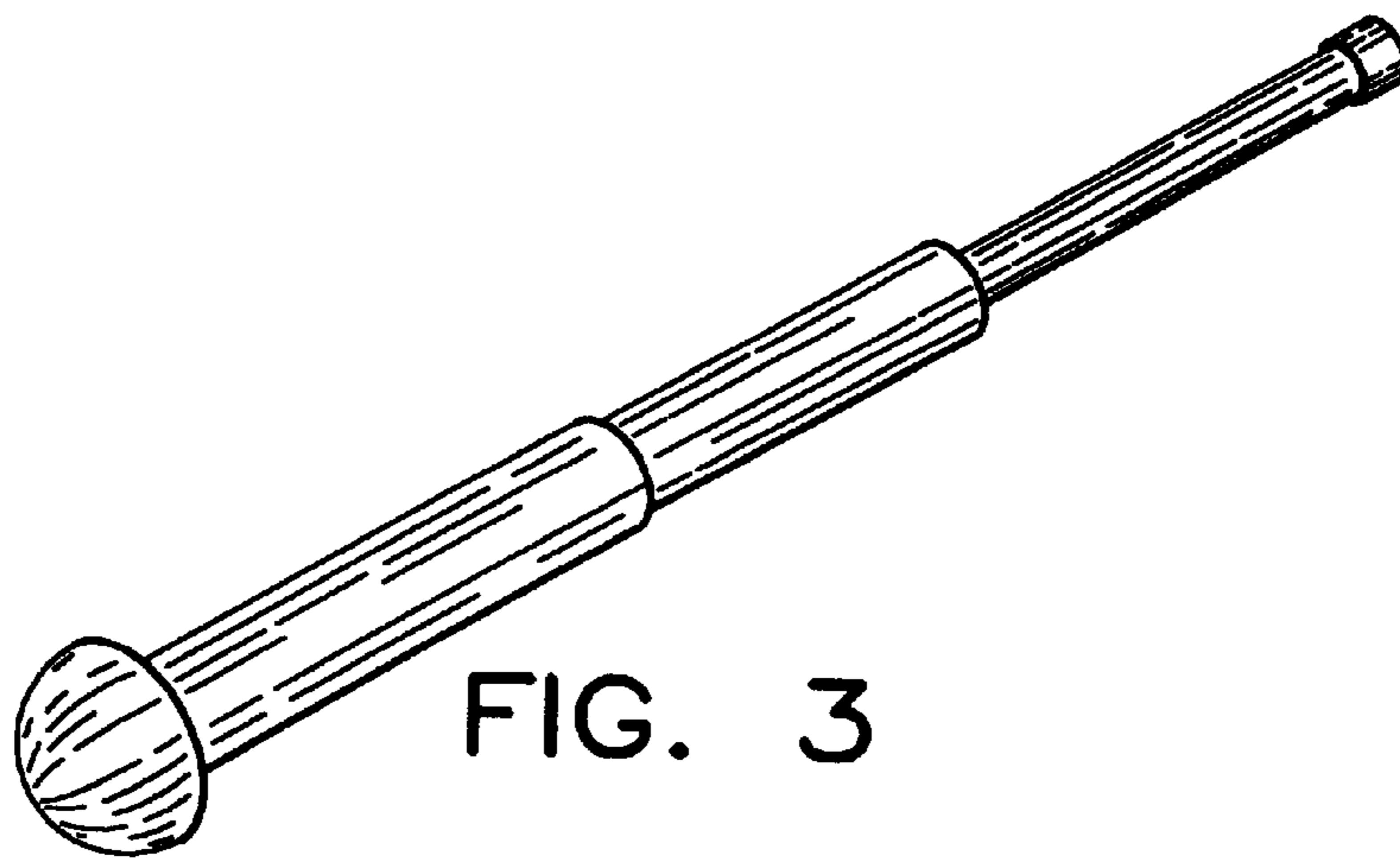


FIG. 3



FIG. 4



FIG. 5