



US00D440269S

(12) **United States Design Patent**  
**Thomas**

(10) **Patent No.:** **US D440,269 S**

(45) **Date of Patent:** **\*\* Apr. 10, 2001**

(54) **MOBILE PUNCHING BAG**

3,030,109 \* 4/1962 Albitz ..... 482/88

(75) Inventor: **Melvin Thomas**, Long Beach, CA (US)

\* cited by examiner

(73) Assignee: **MBR Enterprises LLC**, South Gate, CA (US)

*Primary Examiner*—Dominic Simone

(74) *Attorney, Agent, or Firm*—Cislo & Thomas LLP

(\*\*) Term: **14 Years**

(57) **CLAIM**

The ornamental design for a mobile punching bag.

(21) Appl. No.: **29/118,755**

**DESCRIPTION**

(22) Filed: **Feb. 14, 2000**

FIG. 1 is a front perspective view of a mobile punching bag, showing my new design, the figure shown in broken lines for illustrative purposes only and forms no part of the claimed design.

(51) **LOC (7) Cl.** ..... **21-02**

(52) **U.S. Cl.** ..... **D21/787**

(58) **Field of Search** ..... D21/787; 482/83-90

FIG. 2. Is a top view thereof

FIG. 3. Is a front view thereof;

FIG. 4. Is a rear view thereof;

FIG. 5. Is a left side elevational view thereof;

FIG. 6. is a right side elevational view thereof; and,

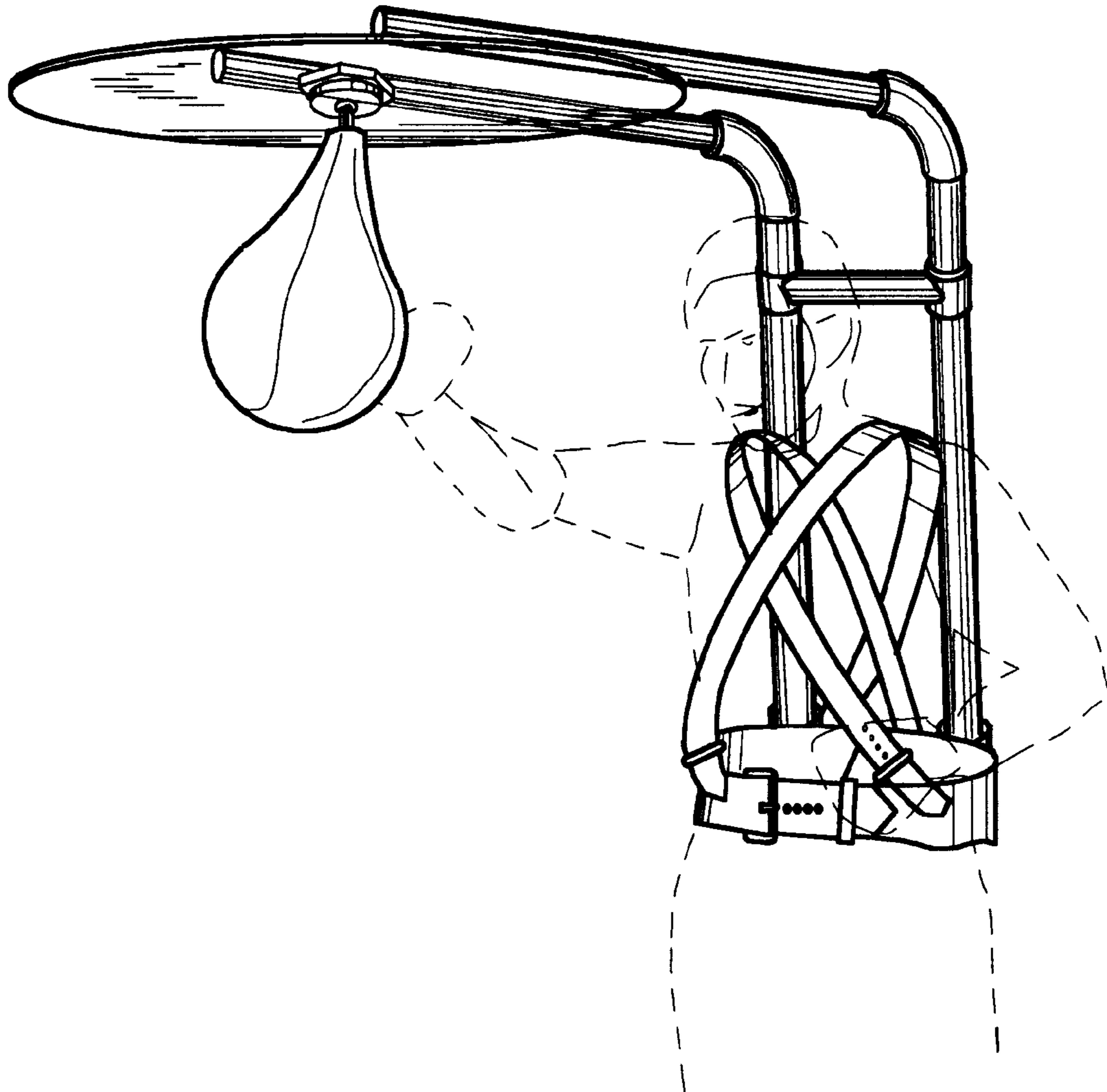
FIG. 7. Is a bottom view thereof.

(56) **References Cited**

**U.S. PATENT DOCUMENTS**

- D. 335,513 \* 5/1993 Gaetano ..... D21/787
- 1,049,835 \* 1/1913 Finney ..... 428/88
- 2,400,105 \* 5/1946 Costello ..... 482/88

**1 Claim, 3 Drawing Sheets**



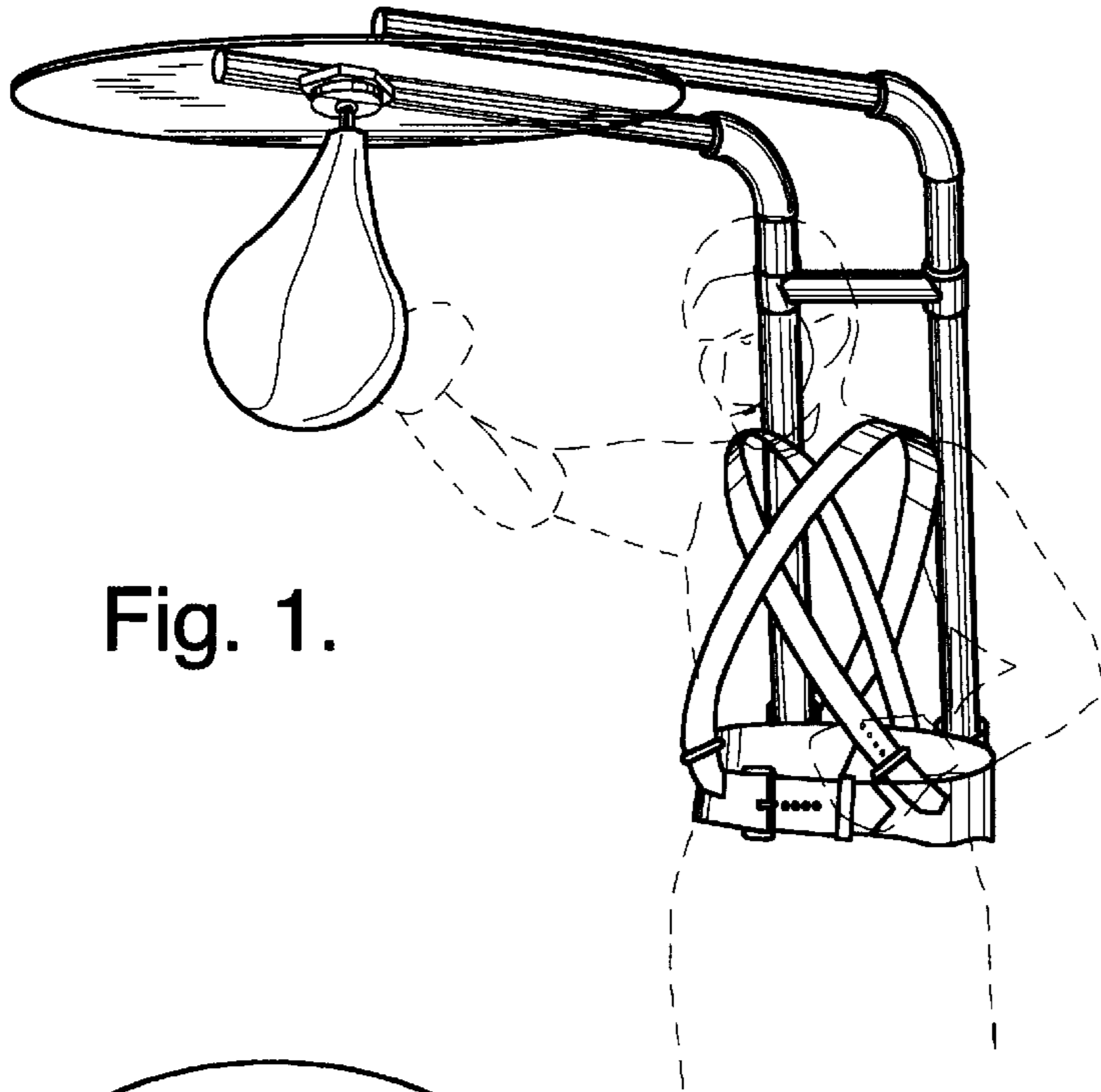


Fig. 1.

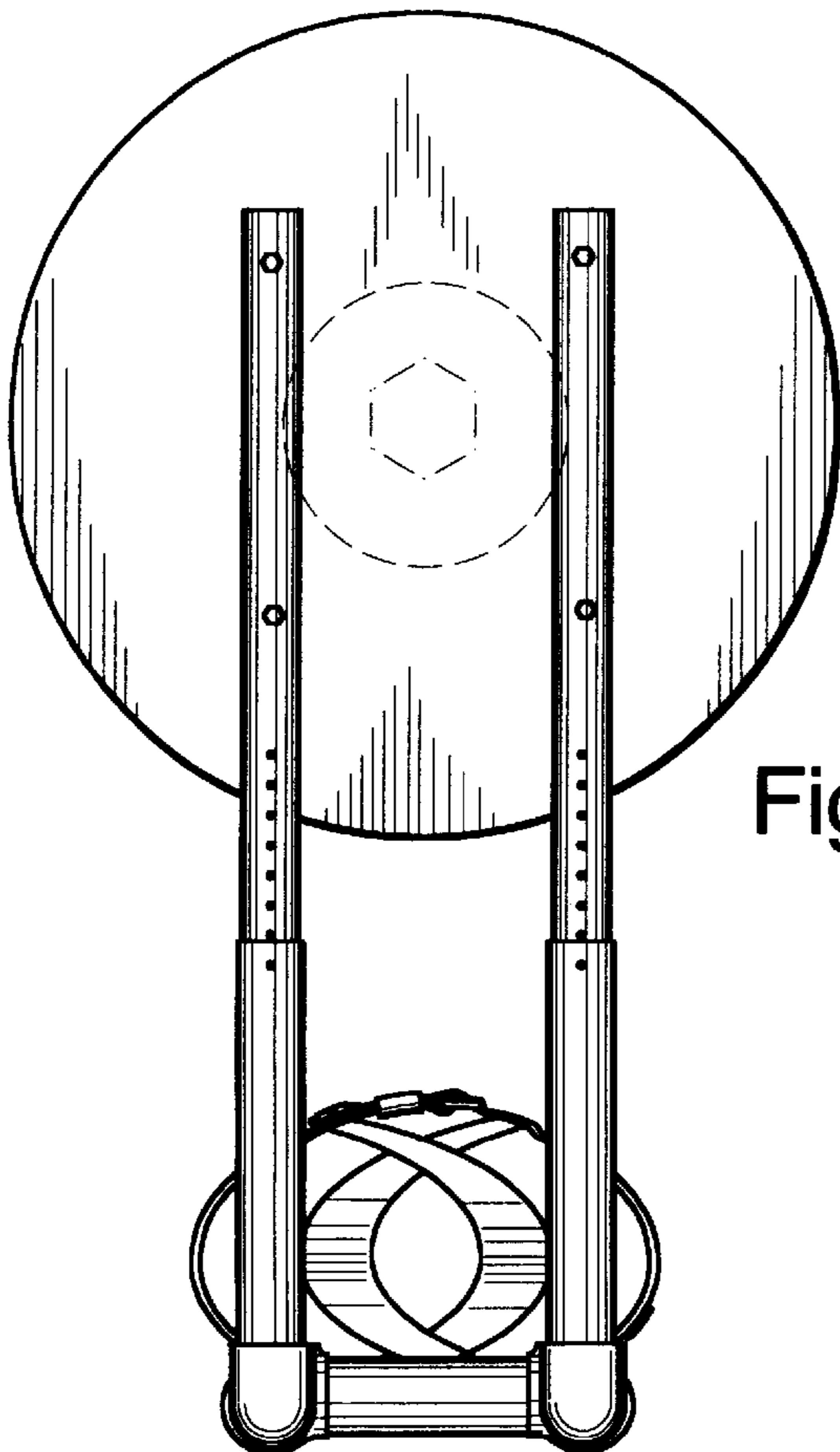


Fig. 2.

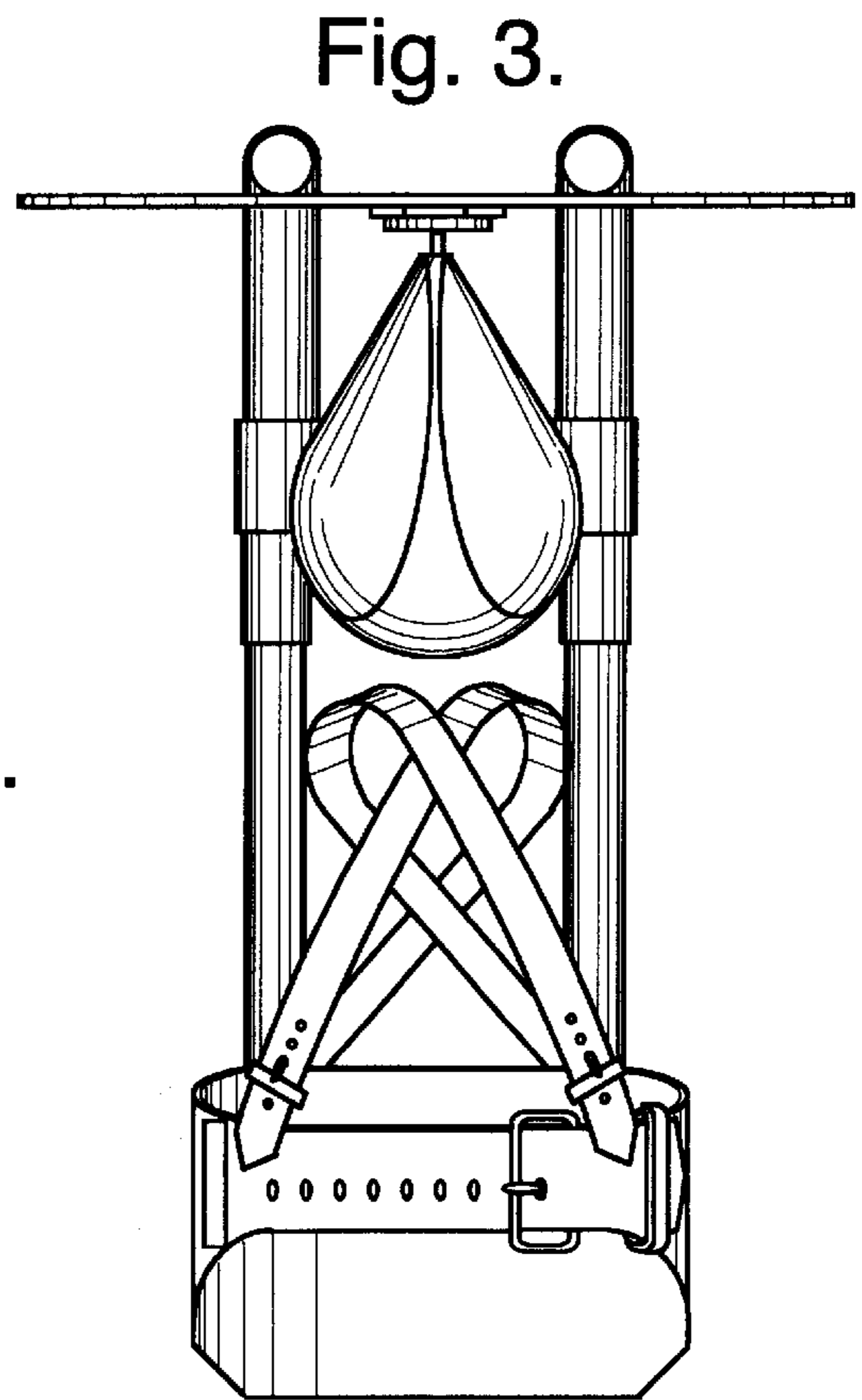


Fig. 3.

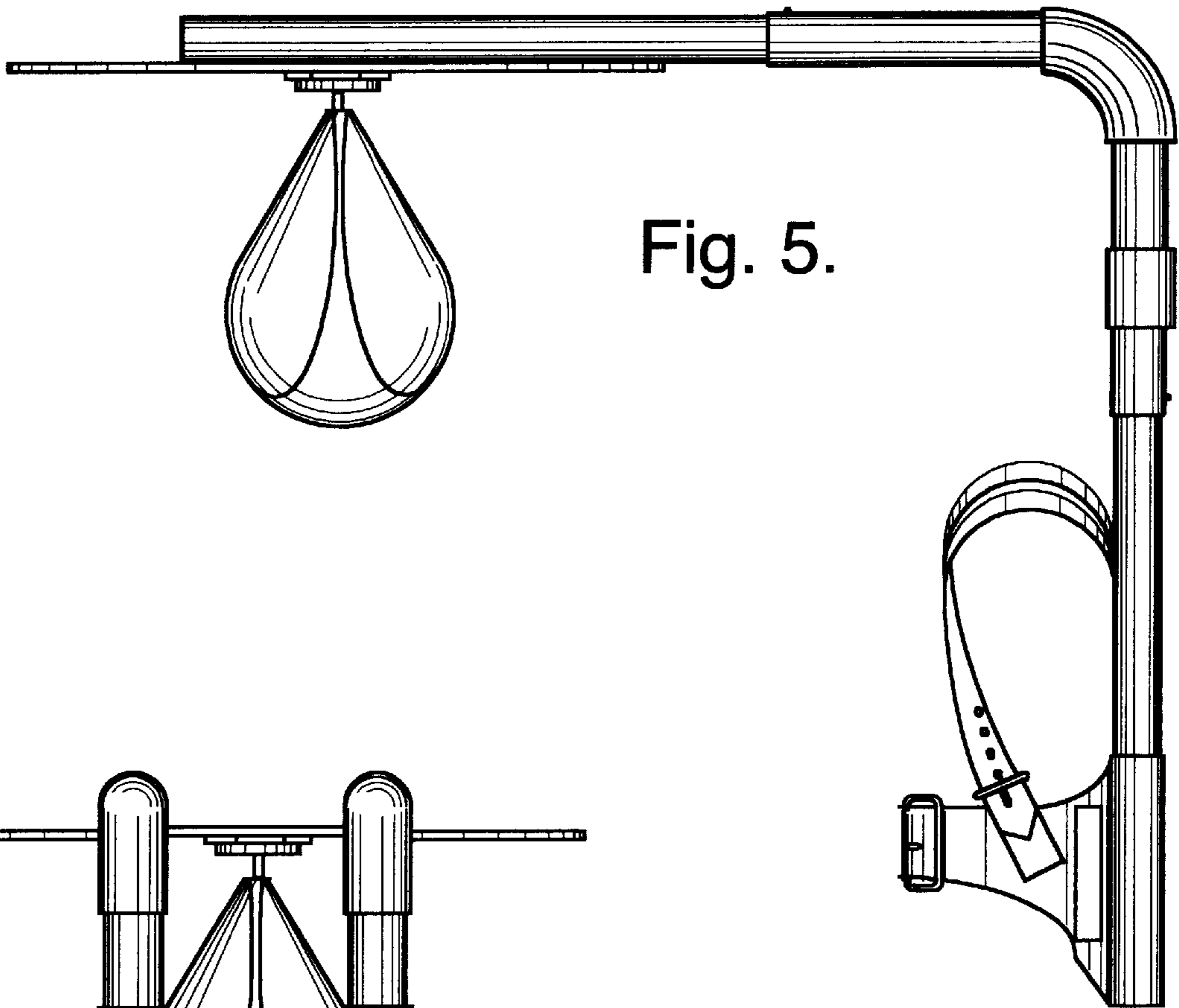


Fig. 5.

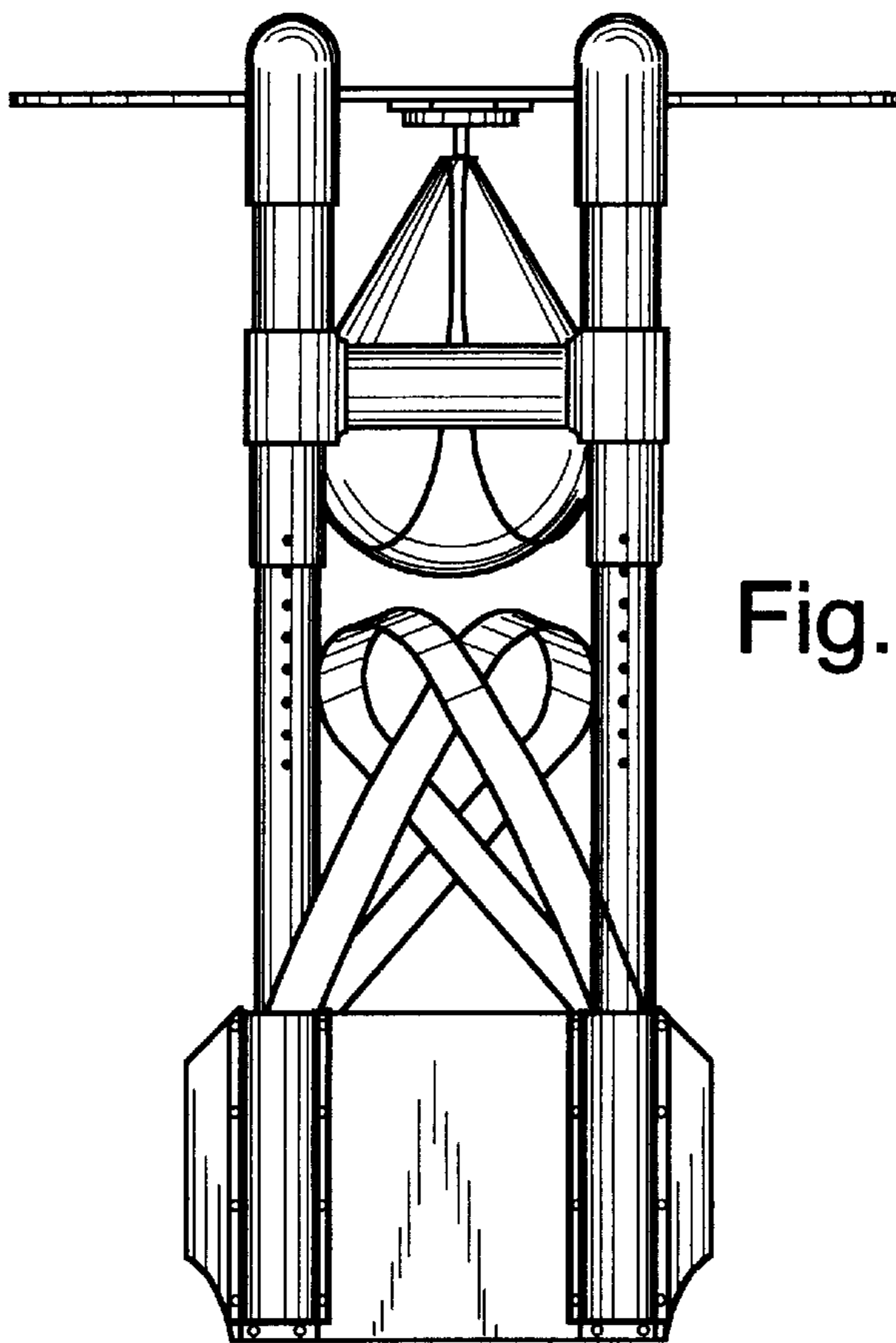


Fig. 4.

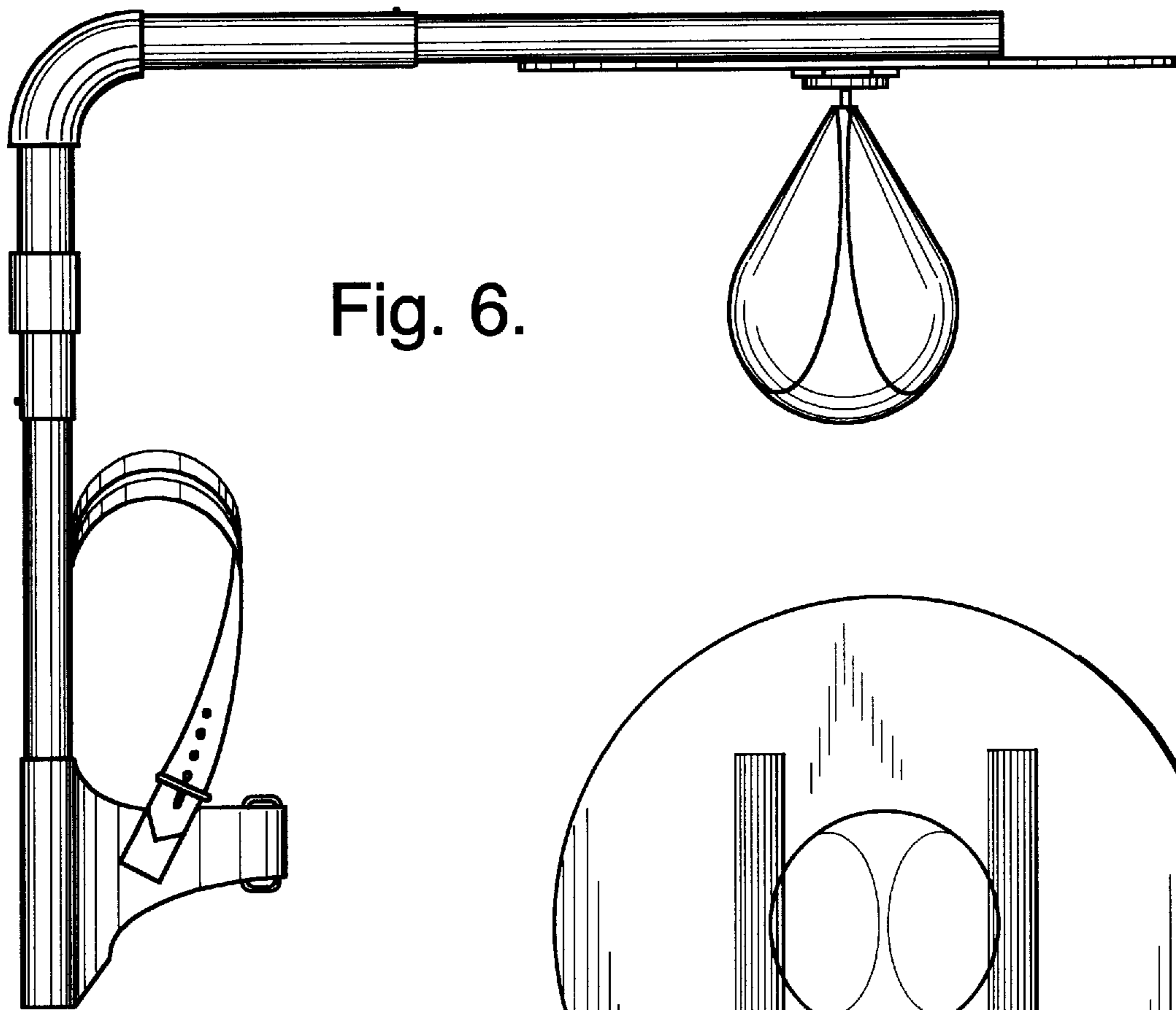


Fig. 6.

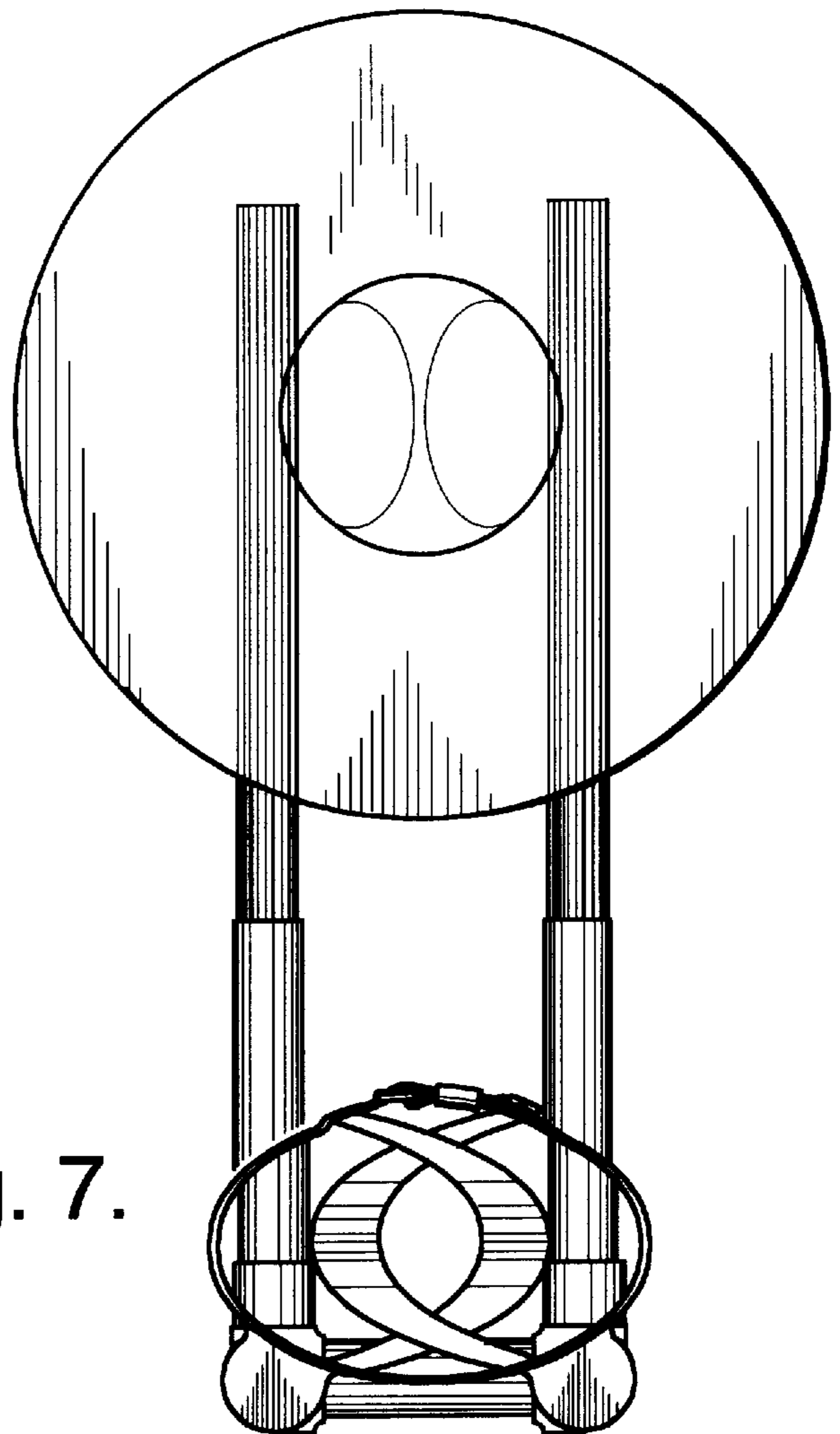


Fig. 7.