



US00D440268S

(12) **United States Design Patent**
Colón

(10) **Patent No.:** **US D440,268 S**

(45) **Date of Patent:** **** Apr. 10, 2001**

(54) **FITTING FOR SKATEBOARD**

(75) Inventor: **Becket Colón**, Vallentuna (SE)

(73) Assignee: **Evolution Skateboards AB**, Vallentuna (SE)

(**) Term: **14 Years**

(21) Appl. No.: **29/113,896**

(22) Filed: **Nov. 16, 1999**

(51) **LOC (7) Cl.** **21-02**

(52) **U.S. Cl.** **D21/776**

(58) **Field of Search** D21/760-765,
D21/771, 772, 776; 280/11.19, 11.22, 11.23,
87.01, 87.042, 87.021

(56) **References Cited**

U.S. PATENT DOCUMENTS

D. 343,436	*	1/1994	Park	D21/765
2,308,251	*	1/1943	Terzi	D21/776
2,315,342	*	3/1943	Lieberman	D21/776
3,374,495	*	3/1968	Joyce	D21/776
4,140,326	*	2/1979	Huber	280/87.042
4,896,893	*	1/1990	Shumays	280/87.042
5,080,382	*	1/1992	Franz	280/87.042
5,119,277	*	6/1992	Copley	280/87.042
6,059,315	*	5/2000	Selph	280/87.042

OTHER PUBLICATIONS

Hong Kong Enterprise, P. 593, Jun. 1991.*

* cited by examiner

Primary Examiner—Raphael Barkai

(74) *Attorney, Agent, or Firm*—Burns, Doane, Swecker & Mathis, L.L.P.

(57) **CLAIM**

The ornamental design for a fitting for skateboard, as shown and described.

DESCRIPTION

The invention relates to a fitting which is to be attached to the front and/or rear end of a skateboard platform to facilitate the performance of certain maneuvers by a skateboard user.

FIG. 1 is a bottom rear perspective view of a first embodiment of my new design;

FIG. 2 is a top rear perspective view of FIG. 1;

FIG. 3 is a top plan view of FIG. 1;

FIG. 4 is a bottom plan view of FIG. 1;

FIG. 5 is a front elevational view taken in the direction of arrow A in FIG. 3;

FIG. 6 is a rear elevational view taken in the direction of arrow B in FIG. 3;

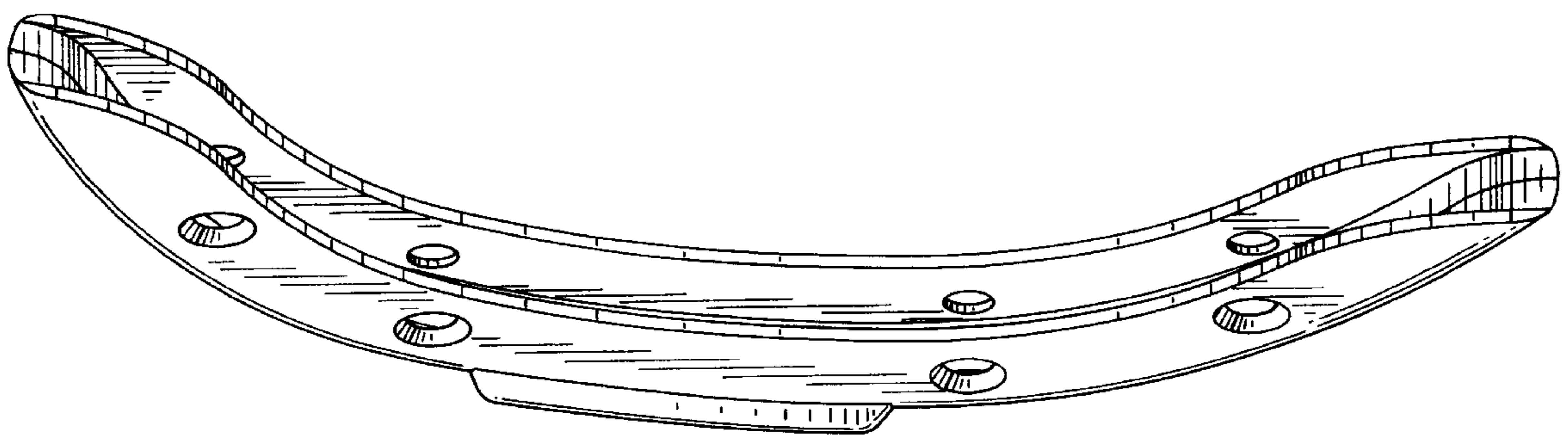
FIG. 7 is a bottom rear perspective view of a second embodiment of my new design;

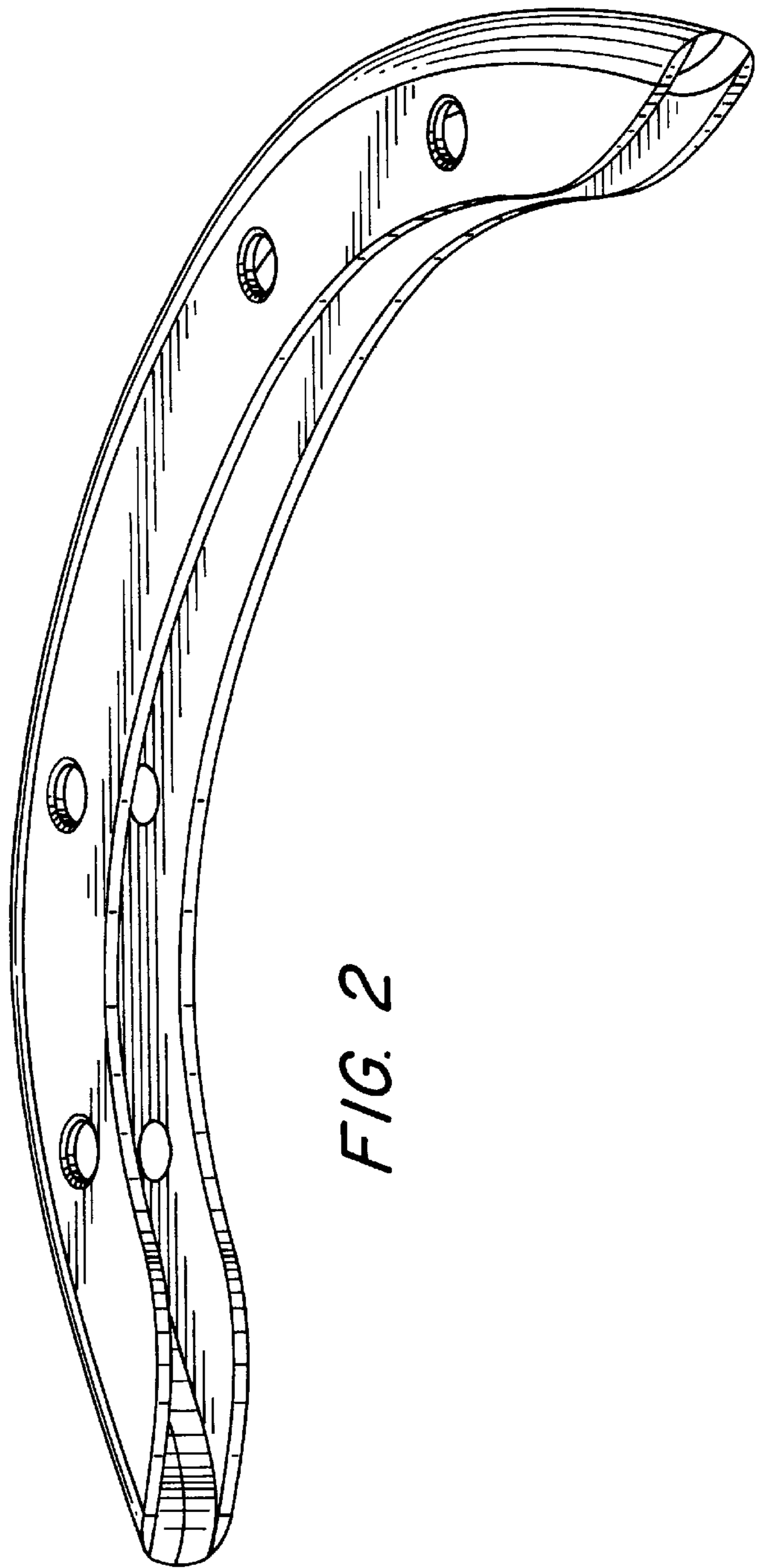
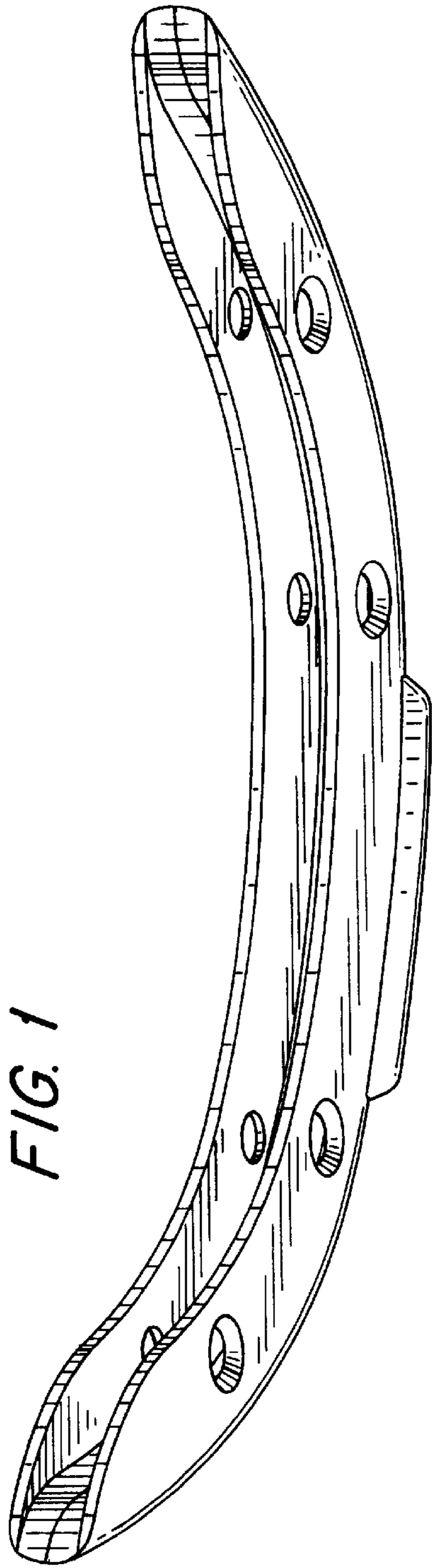
FIG. 8 is a bottom plan view of FIG. 7, the top plan view appearing the same as FIG. 3;

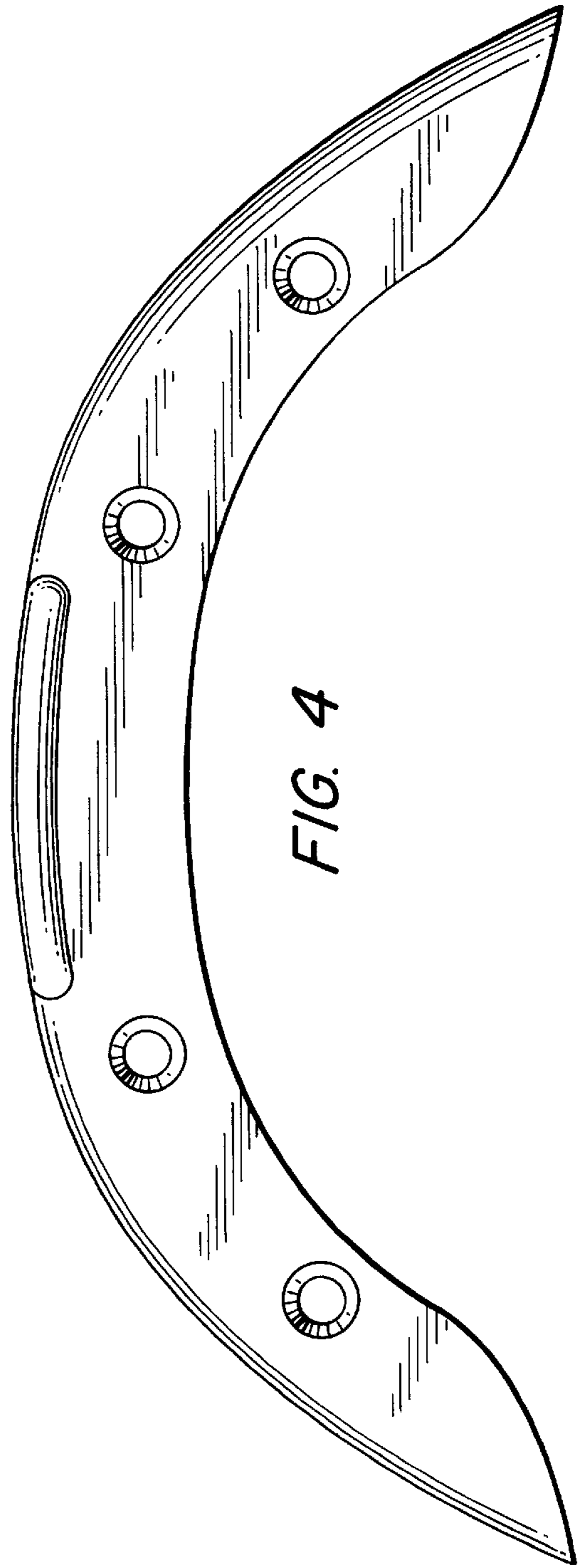
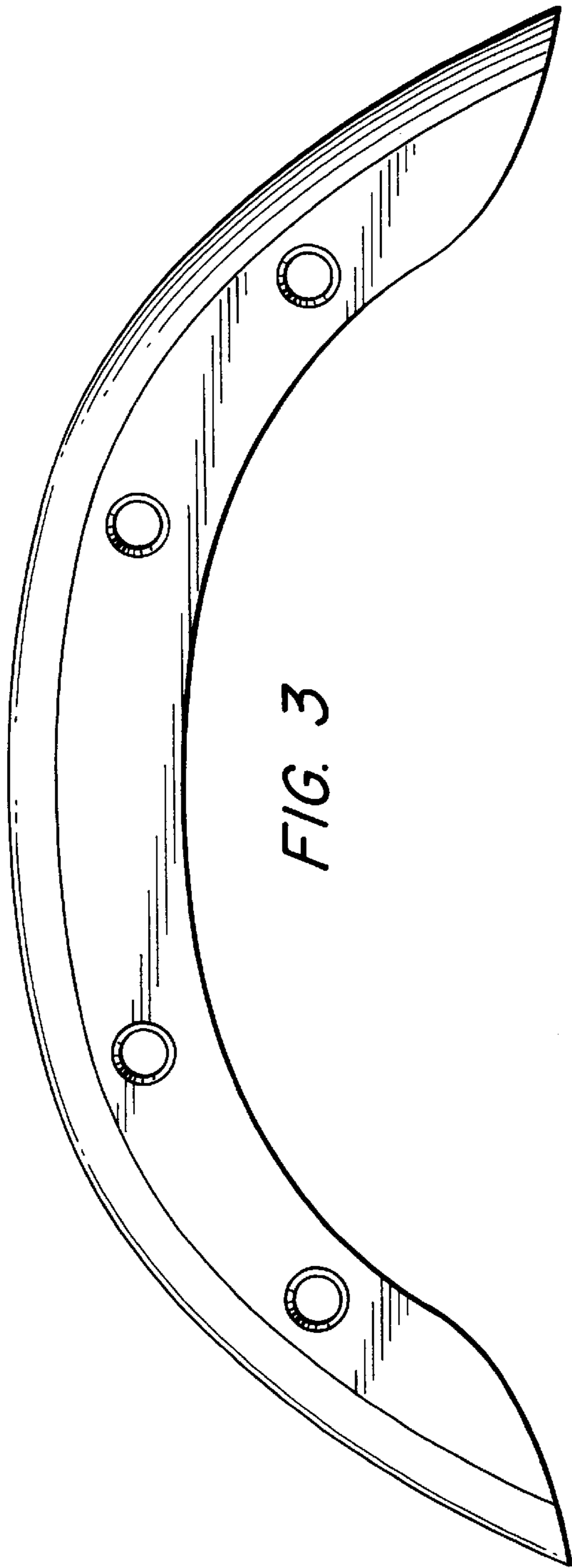
FIG. 9 is a front elevational view of FIG. 8; and,

FIG. 10 is a rear elevational view of FIG. 8.

1 Claim, 5 Drawing Sheets







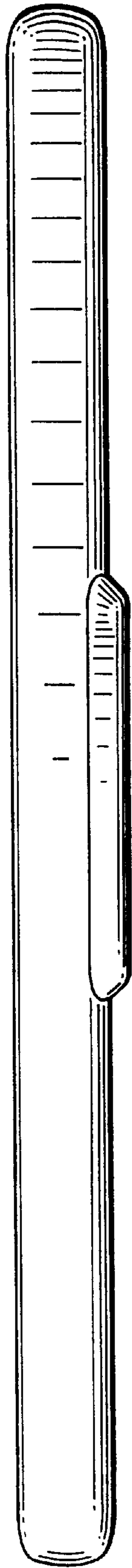


FIG. 5



FIG. 6

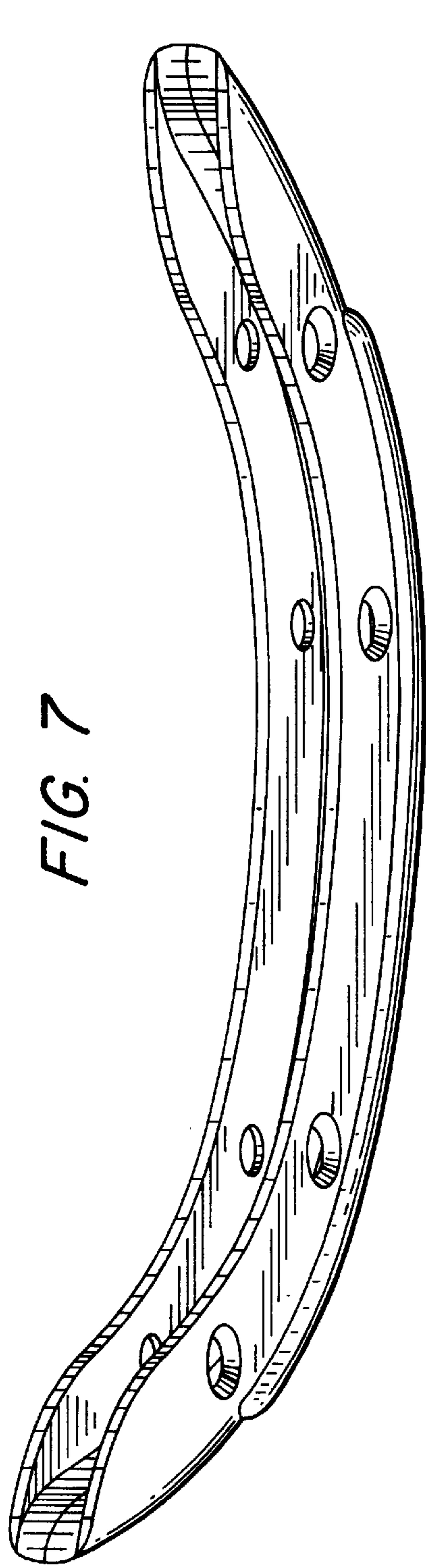


FIG. 7

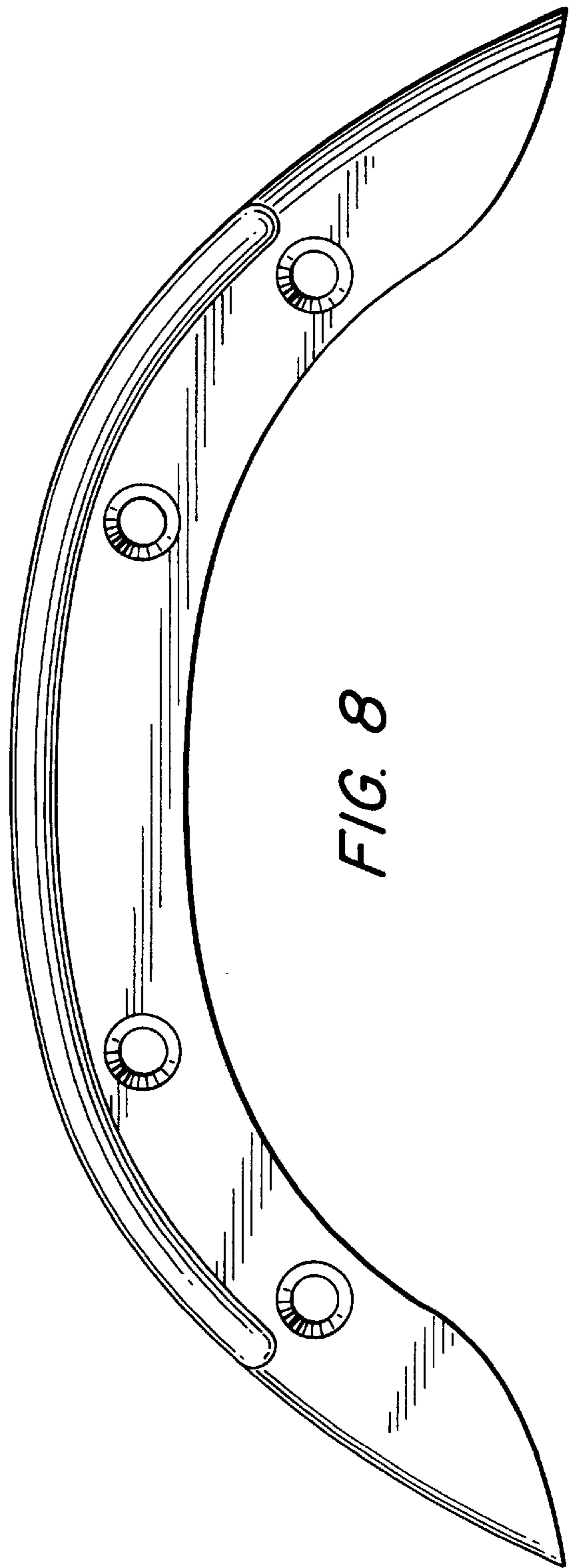


FIG. 8

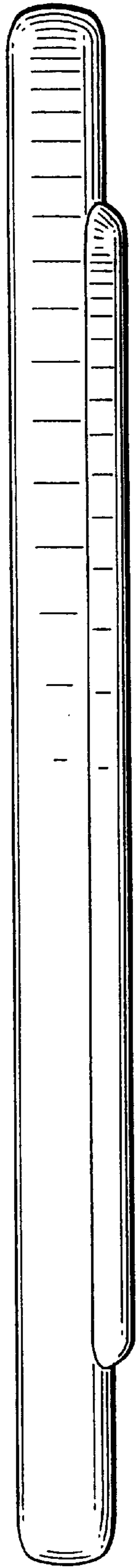


FIG. 9

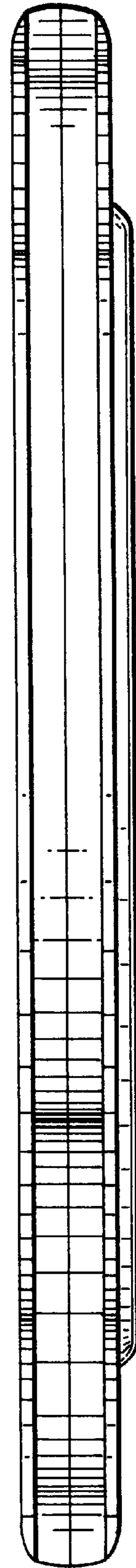


FIG. 10