



US00D440264S

(12) **United States Design Patent**
Venhuizen

(10) **Patent No.:** **US D440,264 S**

(45) **Date of Patent:** **** Apr. 10, 2001**

(54) **GYM APPARATUS**

(75) Inventor: **Seerp Venhuizen**, Helmond (NL)

(73) Assignee: **Janssen & Fritsen Beheer B.V.**,
Helmond (NL)

(**) Term: **14 Years**

(21) Appl. No.: **29/110,278**

(22) Filed: **Sep. 2, 1999**

(30) **Foreign Application Priority Data**

Mar. 2, 1999 (XH) DMA/004 423

(51) **LOC (7) Cl.** **21-02**

(52) **U.S. Cl.** **D21/690; D21/686**

(58) **Field of Search** D21/686, 687,
D21/690, 662; D24/183; D6/349; 482/142;
601/90, 91, 93

(56) **References Cited**

U.S. PATENT DOCUMENTS

D. 200,377 * 2/1965 Burzlaff D24/183

D. 249,359 * 9/1978 Stott et al. D24/183
D. 260,172 * 8/1981 Kyle D24/183
D. 300,045 * 2/1989 Grider D21/690
D. 336,166 * 6/1993 Hollington D6/349

* cited by examiner

Primary Examiner—Philip S. Hyder

(74) *Attorney, Agent, or Firm*—Ladas & Parry

(57) **CLAIM**

The ornamental design for a gym apparatus, as shown and described.

DESCRIPTION

FIG. 1 is a left side elevational view of my design for a gym apparatus;

FIG. 2 is a right side elevational view thereof;

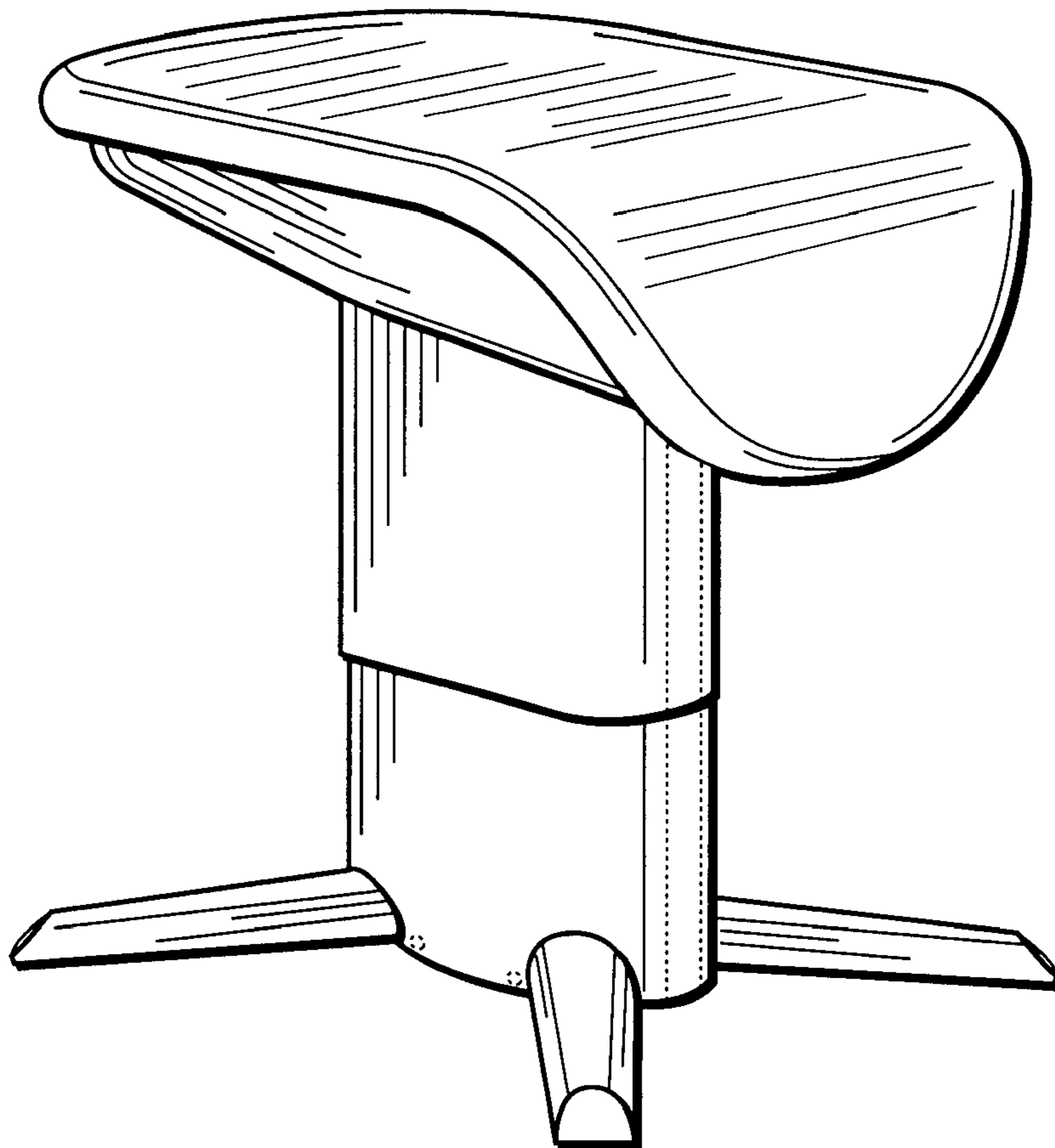
FIG. 3 is a perspective view thereof; and,

FIG. 4 is a front elevational view thereof.

The broken line portions of the disclosure are for illustrative purposes only and form no part of the claimed design.

The height of the gym apparatus is adjustable and hence it appears in different height positions in the figures.

1 Claim, 2 Drawing Sheets



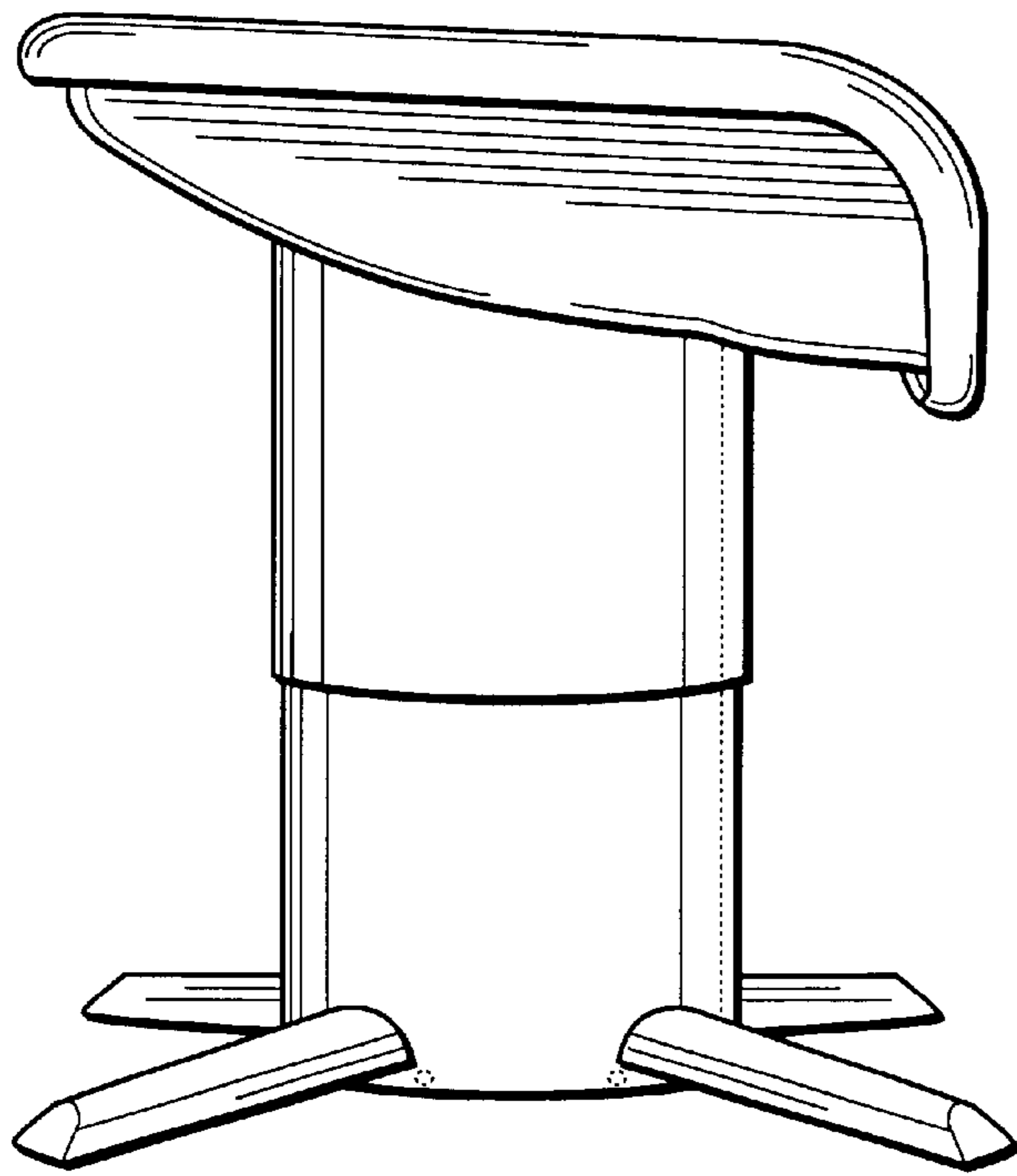


FIG. 1

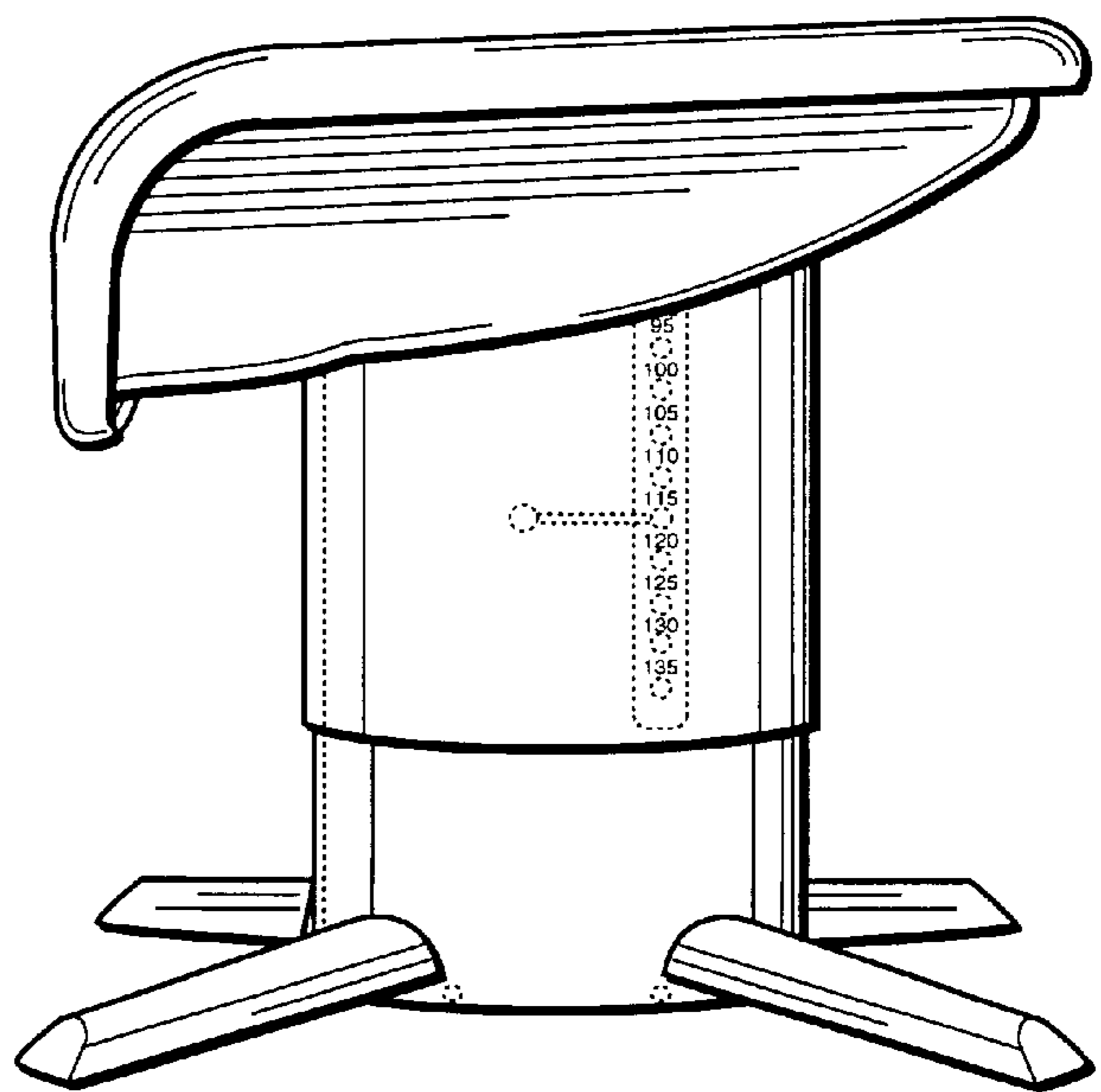


FIG. 2

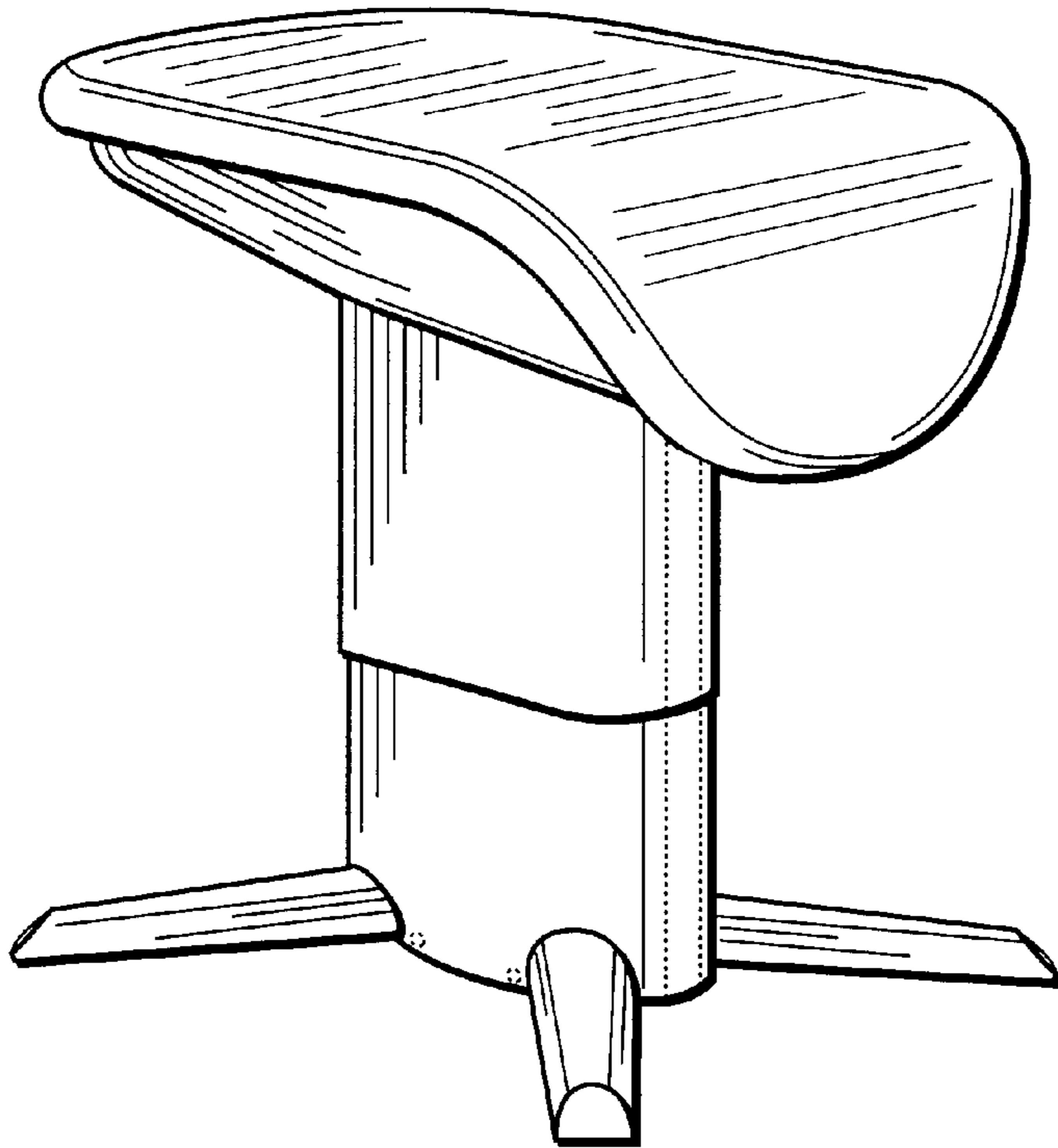


FIG. 3

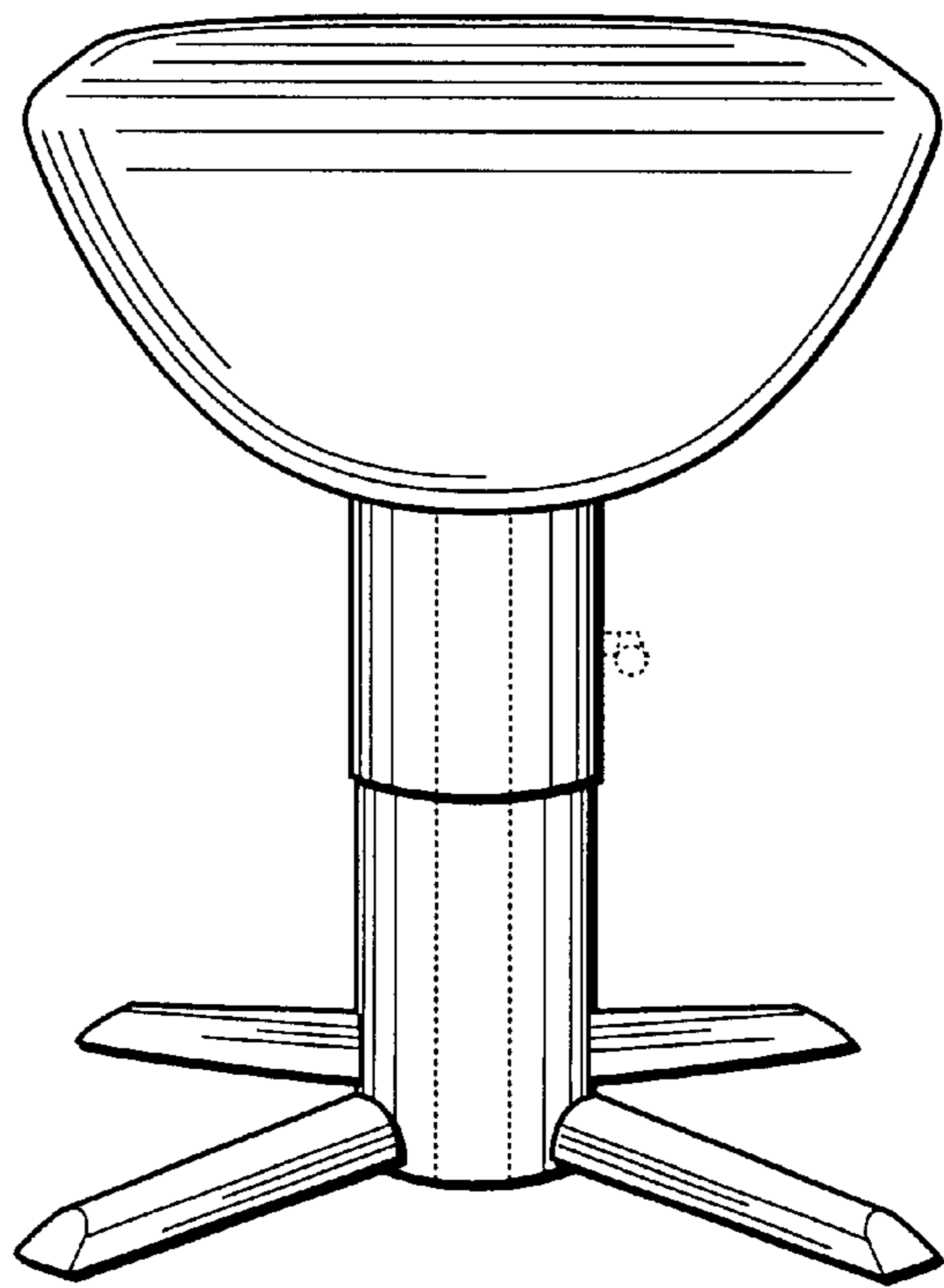


FIG. 4