



US00D440256S

(12) **United States Design Patent**  
**Wang**

(10) **Patent No.:** **US D440,256 S**

(45) **Date of Patent:** **\*\* Apr. 10, 2001**

(54) **DISPLAY RACKET FOR LONG HANDLED SPRAY GUNS**

(75) Inventor: **King Yuan Wang**, Changhua Hsien (TW)

(73) Assignee: **Yuan Mei Corp.**, Changhua Hsien (TW)

(\*\*) Term: **14 Years**

(21) Appl. No.: **29/124,187**

(22) Filed: **Jun. 1, 2000**

(51) **LOC (7) Cl.** ..... **20-02**

(52) **U.S. Cl.** ..... **D20/10**

(58) **Field of Search** ..... D20/10, 40, 41, D20/42; D6/468; 40/584, 605, 657; 211/87, 101, 187; 181/210, 284, 290, 293

(56) **References Cited**

**U.S. PATENT DOCUMENTS**

D. 423,590 \* 4/2000 Muhlock ..... D20/10

\* cited by examiner

*Primary Examiner*—Marcus A. Jackson

(74) *Attorney, Agent, or Firm*—Bacon & Thomas, PLLC

(57) **CLAIM**

The ornamental design for “display racket for long handled spray guns”, as shown and described.

**DESCRIPTION**

FIG. 1 is a perspective view of display racket for long handled spray gun showing my new design;

FIG. 2 is a front view thereof;

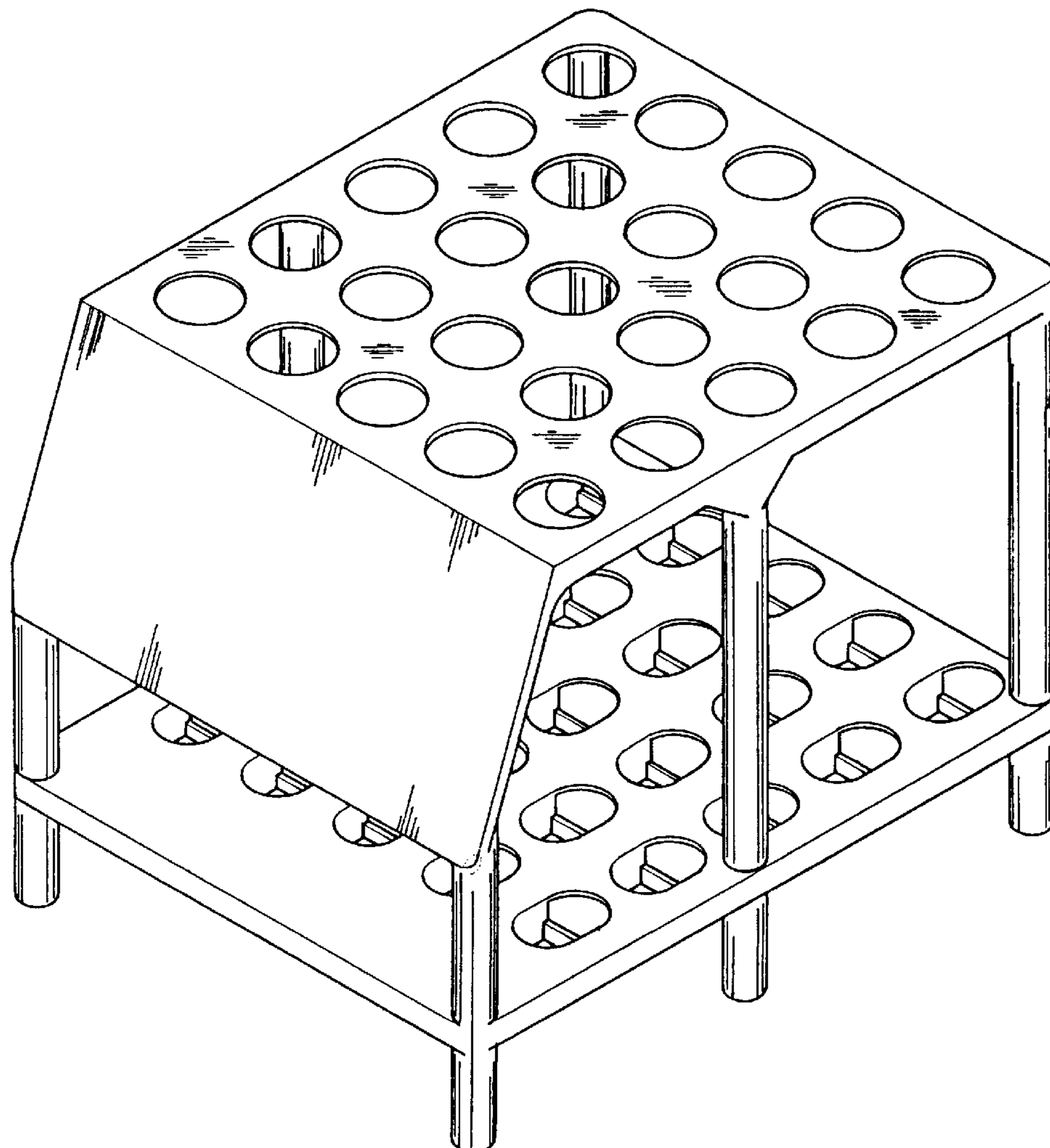
FIG. 3 is a rear view thereof;

FIG. 4 is a left side view thereof, the right side is identical;

FIG. 5 is top view thereof; and,

FIG. 6 is a bottom view thereof.

**1 Claim, 3 Drawing Sheets**



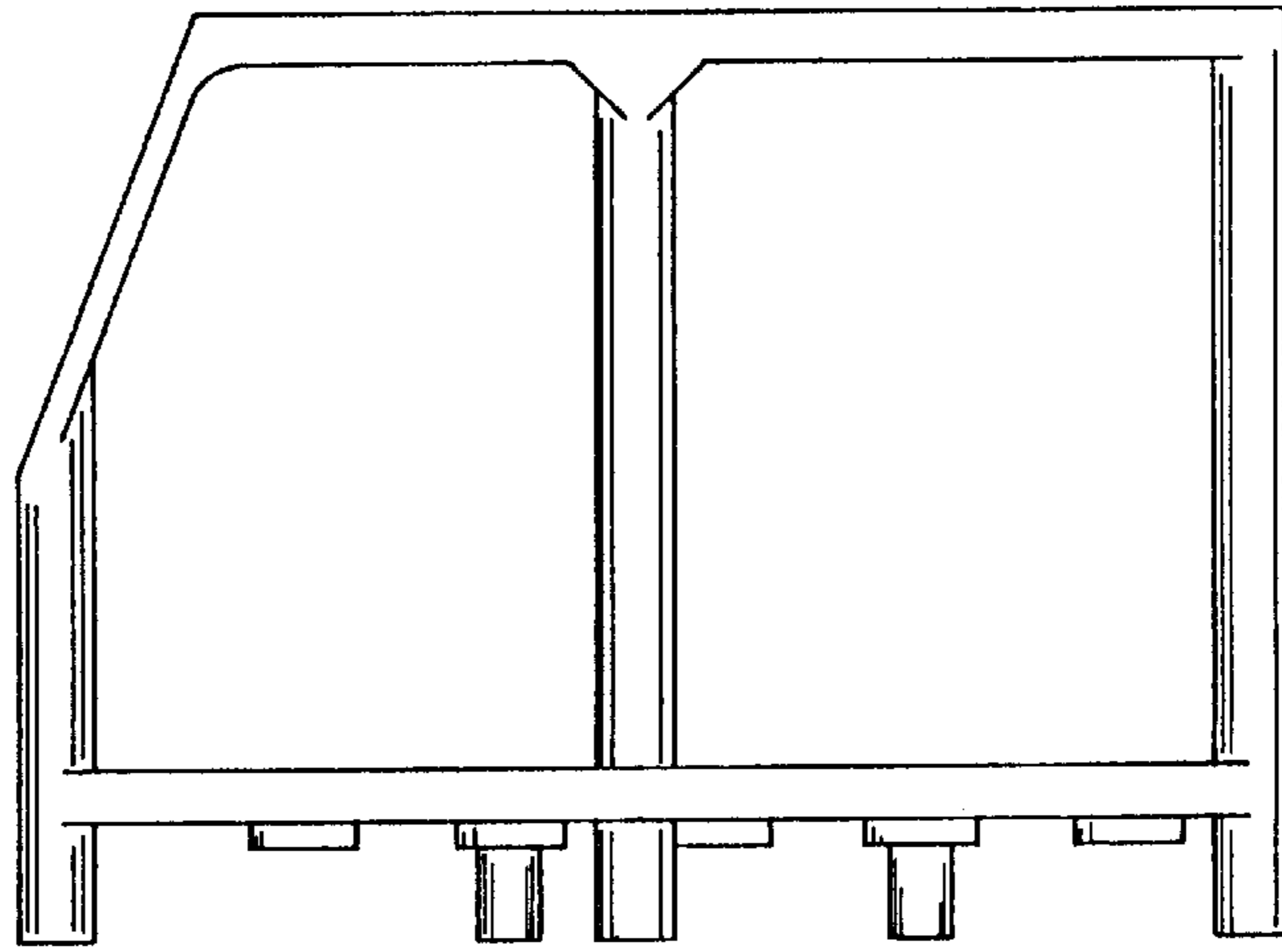


FIG. 4

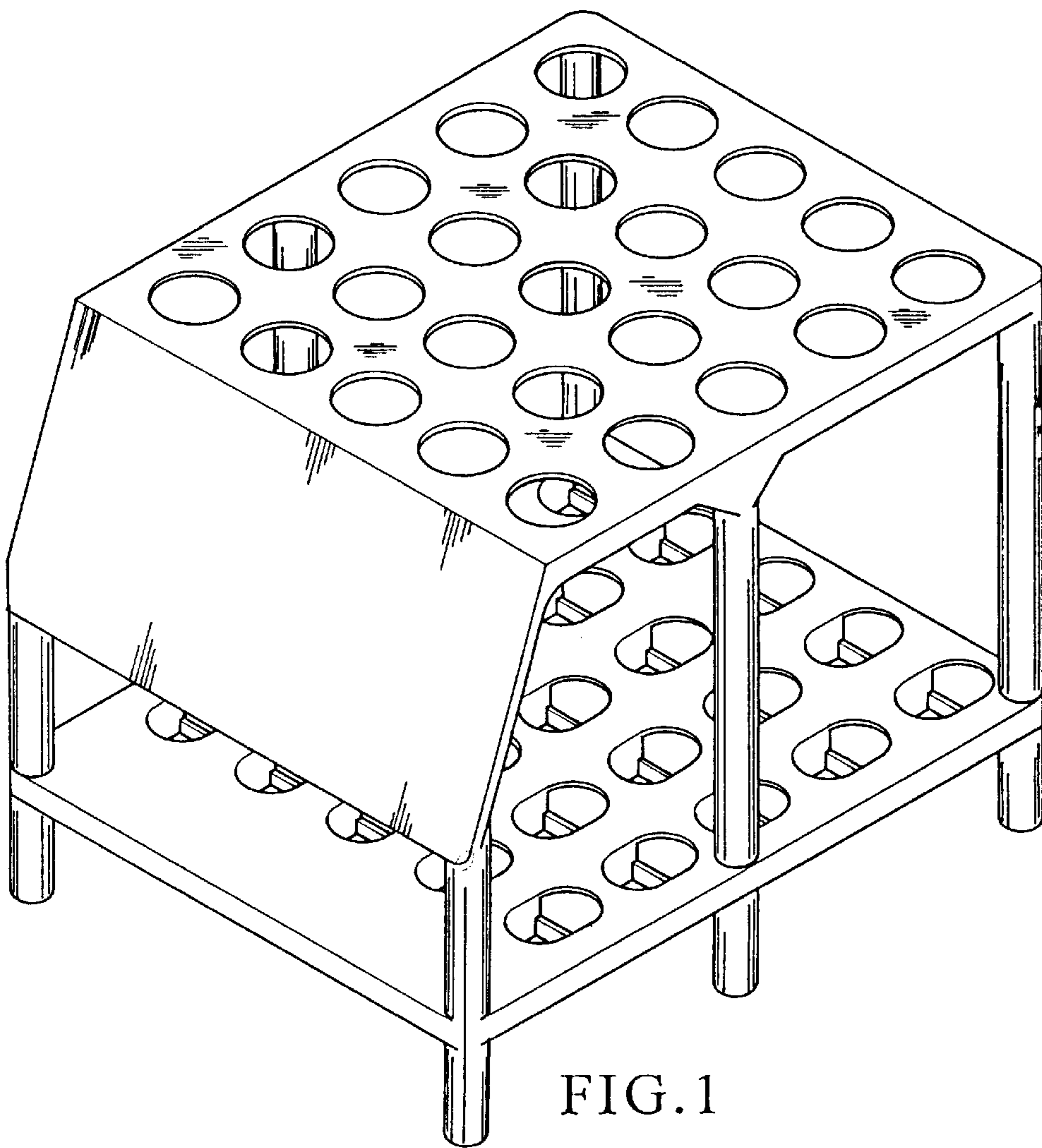


FIG. 1

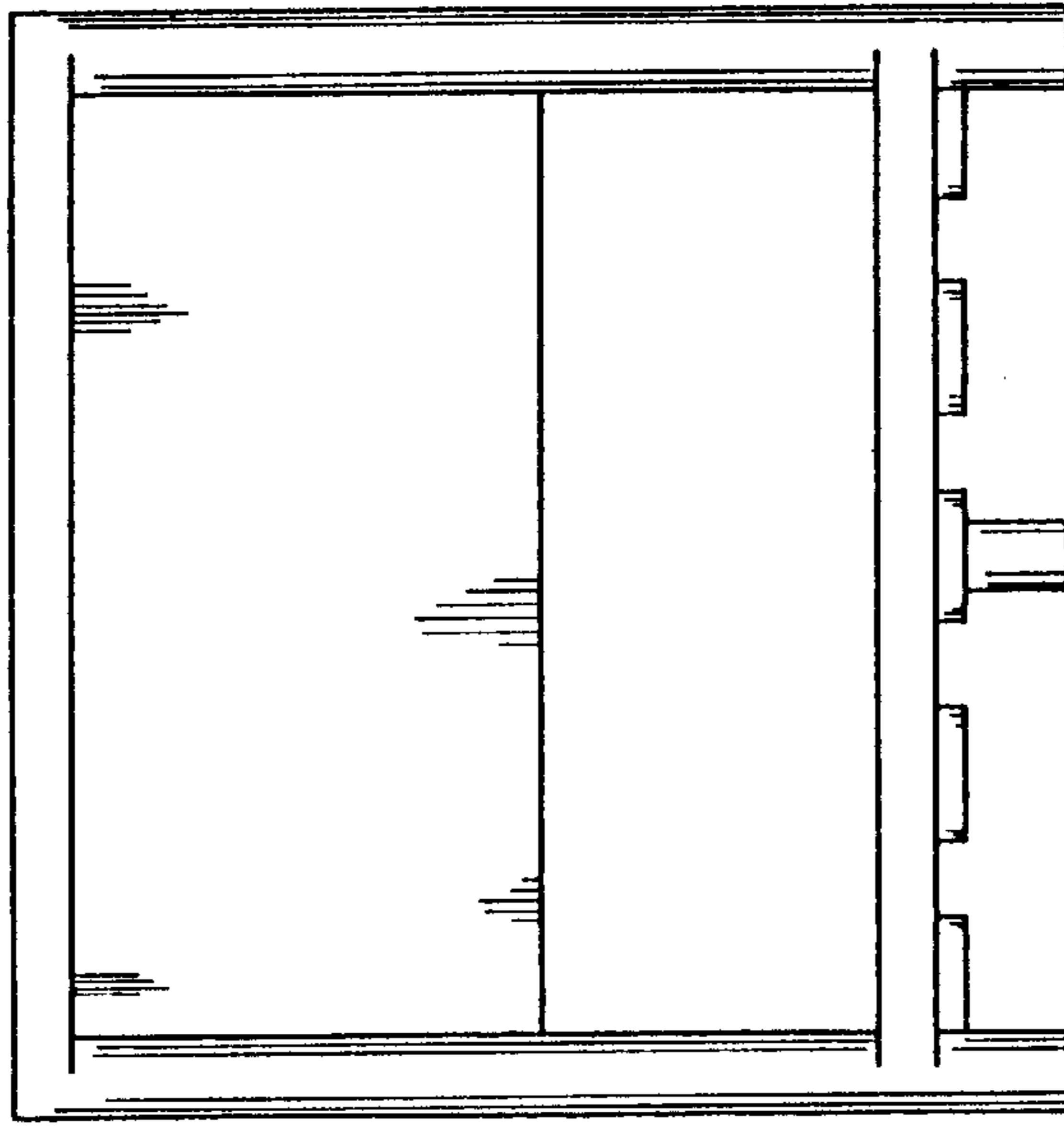


FIG.3

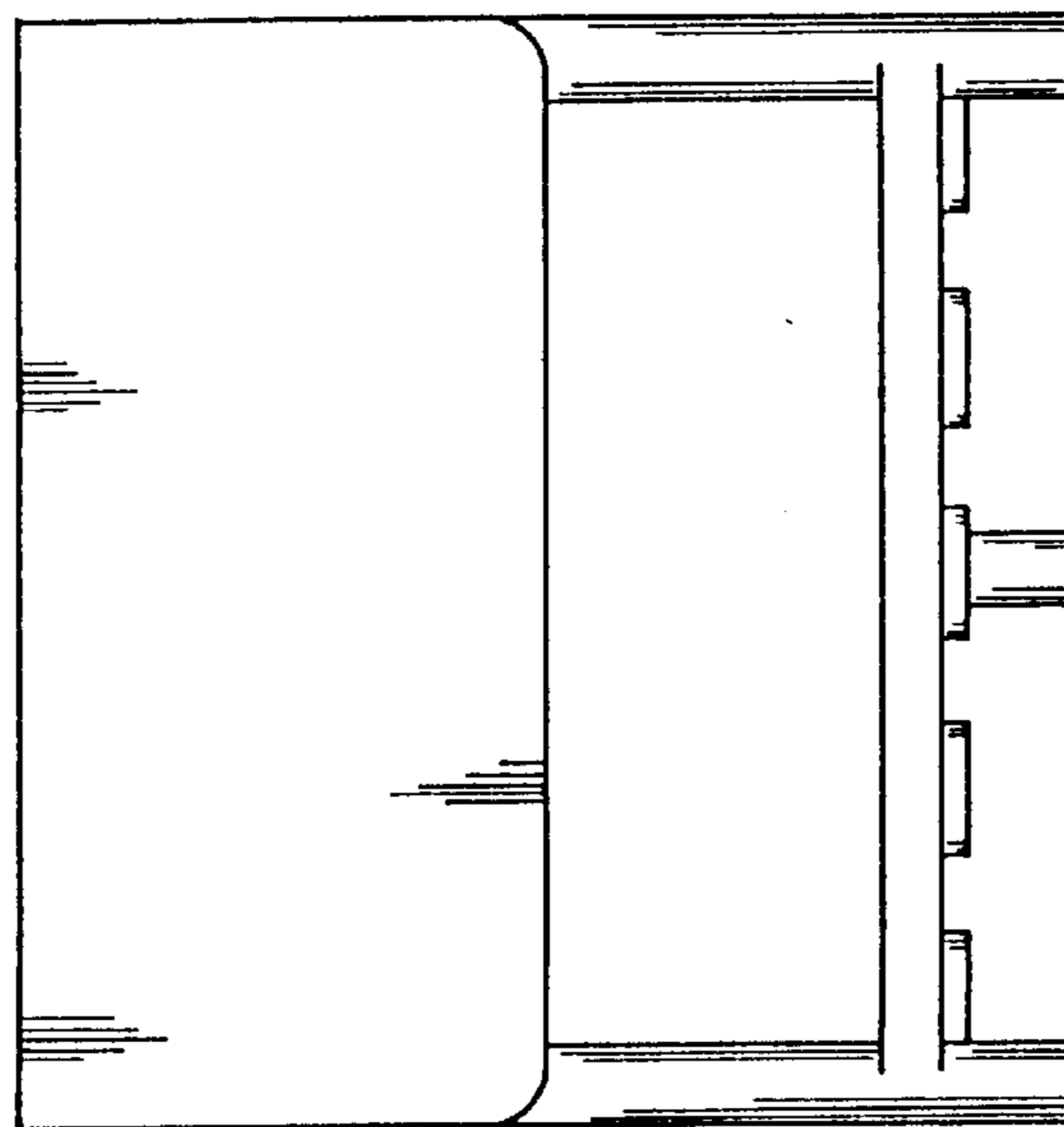


FIG.2

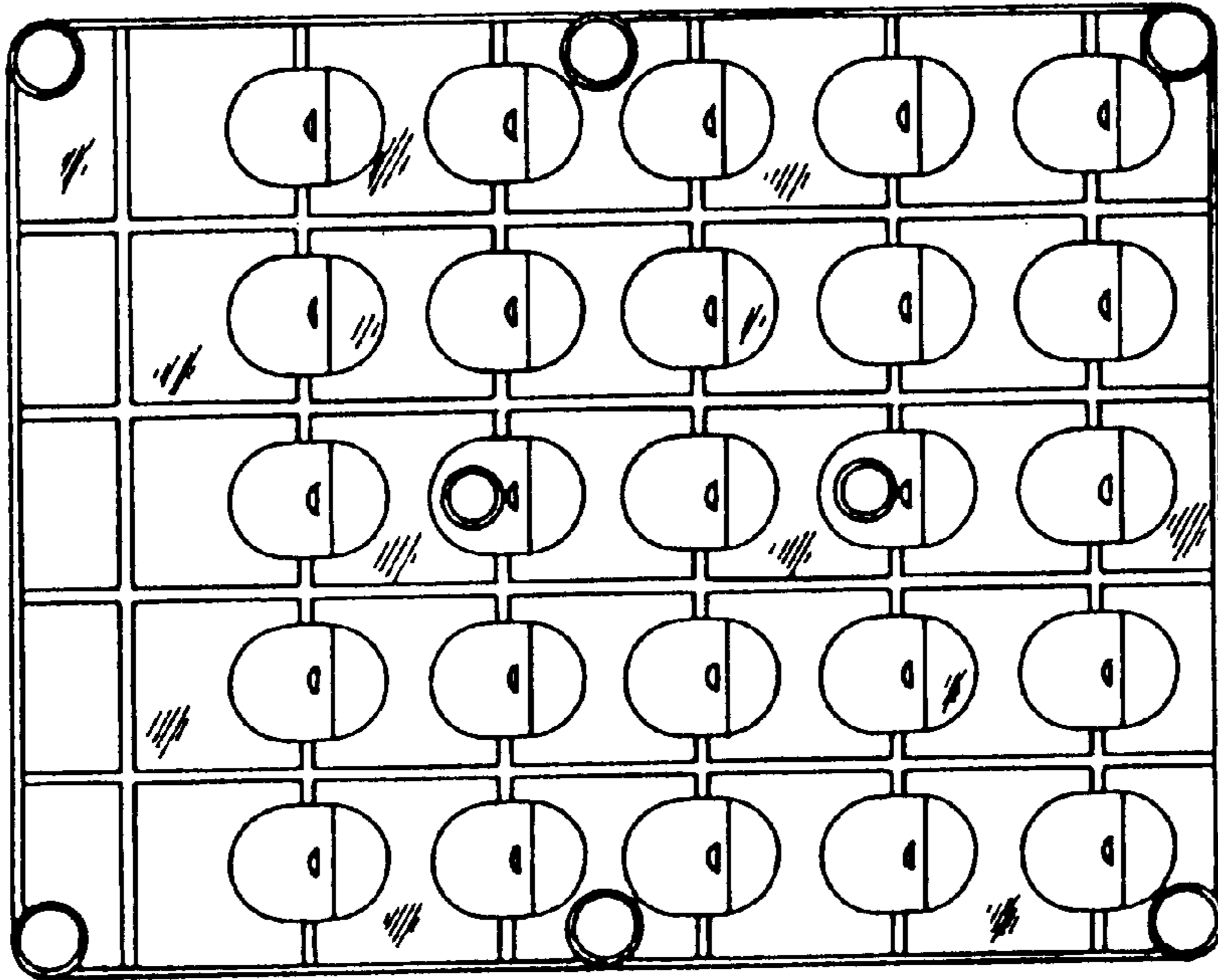


FIG. 6

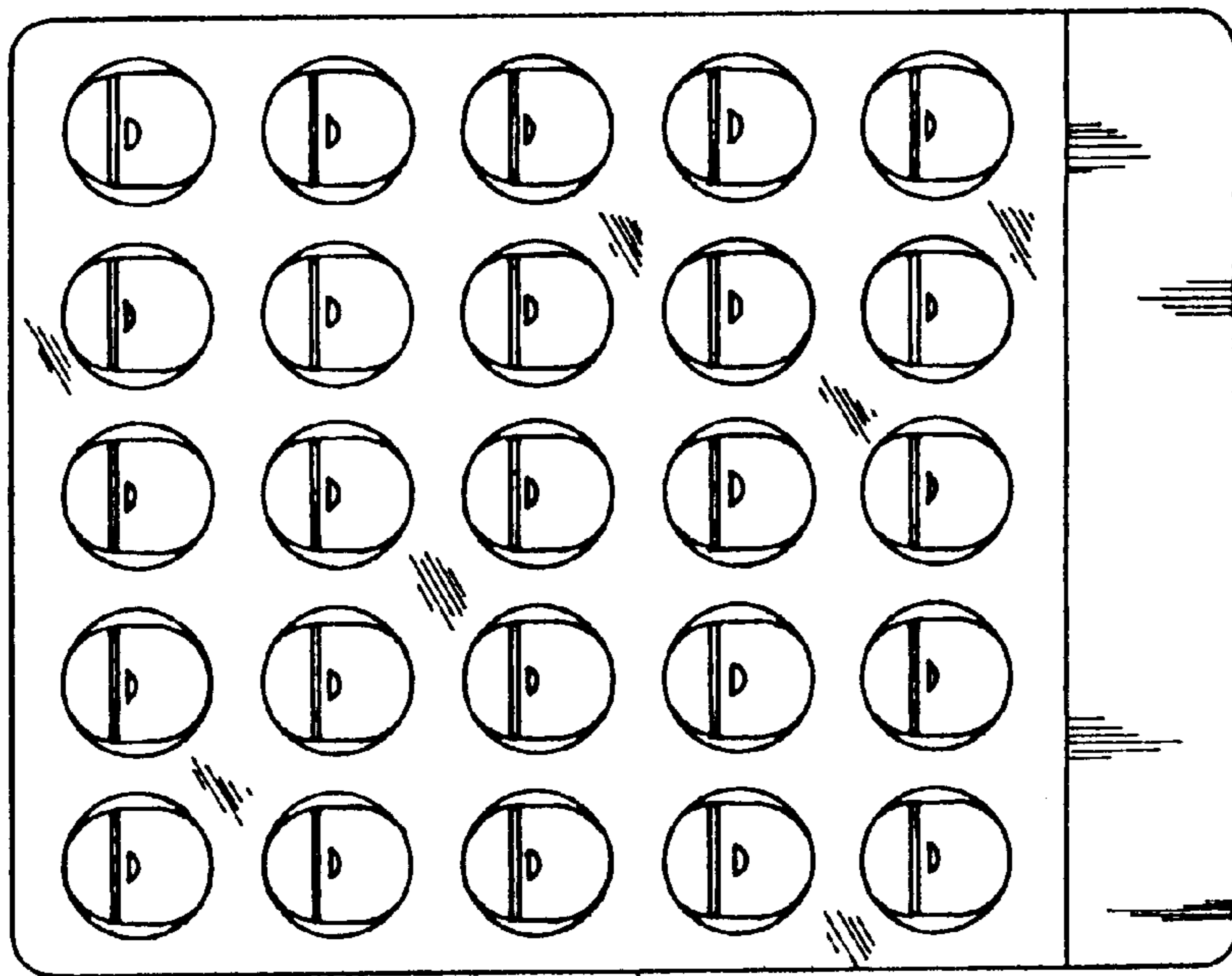


FIG. 5