



US00D440249S

(12) **United States Design Patent**
Ellers, Jr. et al.

(10) **Patent No.:** **US D440,249 S**

(45) **Date of Patent:** **** Apr. 10, 2001**

(54) **SOLID INK STICK FOR A COLOR PRINTER**

(75) Inventors: **James A. Ellers, Jr.**, Portland, OR
(US); **Henry Y. Chin**, San Jose, CA
(US); **Kuoyong Huang**, Chicago, IL
(US)

(73) Assignee: **Xerox Corporation**, Stamford, CT
(US)

(**) Term: **14 Years**

(21) Appl. No.: **29/114,965**

(22) Filed: **Dec. 3, 1999**
(Under 37 CFR 1.47)

(51) **LOC (7) Cl.** **18-02**

(52) **U.S. Cl.** **D18/56; 347/88**

(58) **Field of Search** **D18/56; 347/54,**
347/88, 99, 86, 87; 106/31.29, 31.61

(56) **References Cited**

U.S. PATENT DOCUMENTS

- D. 371,801 7/1996 Jones et al. .
- D. 371,802 7/1996 Jones et al. .
- D. 372,268 7/1996 Jones et al. .
- D. 372,270 7/1996 Jones et al. .
- D. 373,139 8/1996 Jones et al. .
- D. 379,470 5/1997 Gilbert .
- D. 379,471 5/1997 Gilbert .
- D. 379,639 6/1997 Gilbert .
- D. 379,640 6/1997 Gilbert .
- D. 380,771 7/1997 Jones .
- D. 383,153 9/1997 Jones et al. .
- D. 383,154 9/1997 Jones et al. .
- D. 402,308 12/1998 Yao et al. .
- D. 403,351 12/1998 Yao et al. .
- D. 403,352 12/1998 Brown et al. .
- D. 403,699 1/1999 Chin et al. .
- D. 407,109 3/1999 Yao et al. .
- D. 407,110 3/1999 Yao et al. .

- D. 407,111 3/1999 Brown et al. .
- D. 407,112 3/1999 Chin et al. .
- D. 407,742 4/1999 Yao et al. .
- D. 407,743 4/1999 Yao et al. .
- D. 407,745 4/1999 Brown et al. .
- D. 408,849 4/1999 Chin et al. .
- D. 409,235 5/1999 Chin et al. .
- D. 409,237 5/1999 Ellers et al. .
- D. 410,026 5/1999 Brown et al. .
- D. 410,490 6/1999 Mattern et al. .
- D. 412,527 8/1999 Ellers et al. .
- D. 412,528 8/1999 Ellers et al. .
- D. 412,934 8/1999 Jones .
- D. 413,625 9/1999 Brown et al. .
- D. 414,200 9/1999 Jones .
- D. 415,193 10/1999 Jones .
- 5,223,860 6/1993 Loofbourow et al. .
- 5,510,821 4/1996 Jones et al. .

Primary Examiner—Cathy Anne MacCormac
(74) *Attorney, Agent, or Firm*—Charles F. Moore

(57) **CLAIM**

The ornamental design for a solid ink stick for a color printer, as shown and described.

DESCRIPTION

FIG. 1 is a front perspective view of a solid ink stick for a color printer showing the top surface and the contour of the side surfaces of our new design, and incorporating a broken line portion for illustrative purposes only;

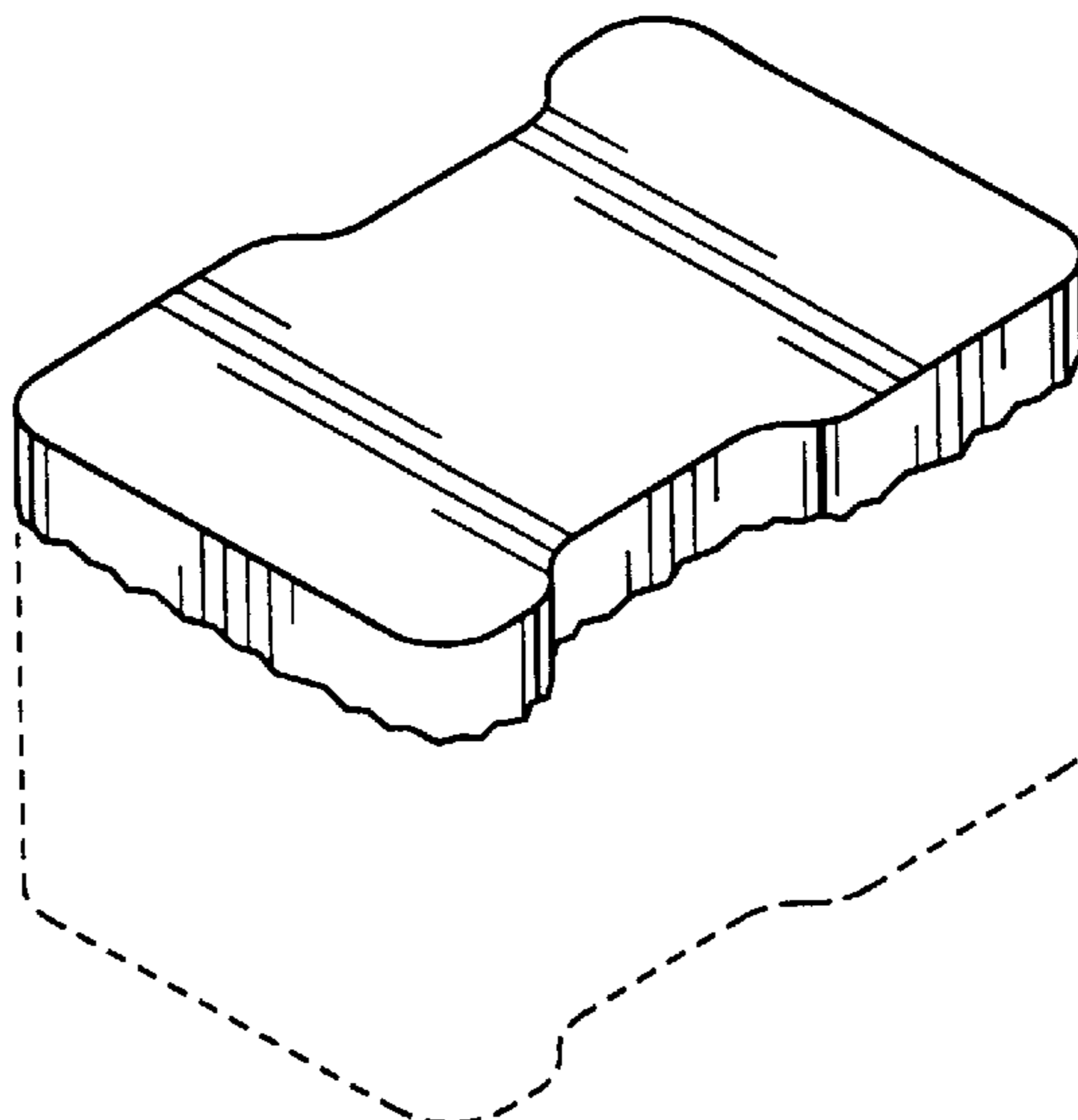
FIG. 2 is a top plan view thereof;

FIG. 3 is a side elevational view thereof showing the contour of the sides and incorporating a broken line portion for illustrative purposes only, the opposite side being identical; and,

FIG. 4 is an end elevational view thereof incorporating a broken line portion for illustrative purposes only, the opposite end being identical.

The broken line portions of FIGS. 1, 3 and 4 are environmental only and form no part of the claimed design.

1 Claim, 1 Drawing Sheet



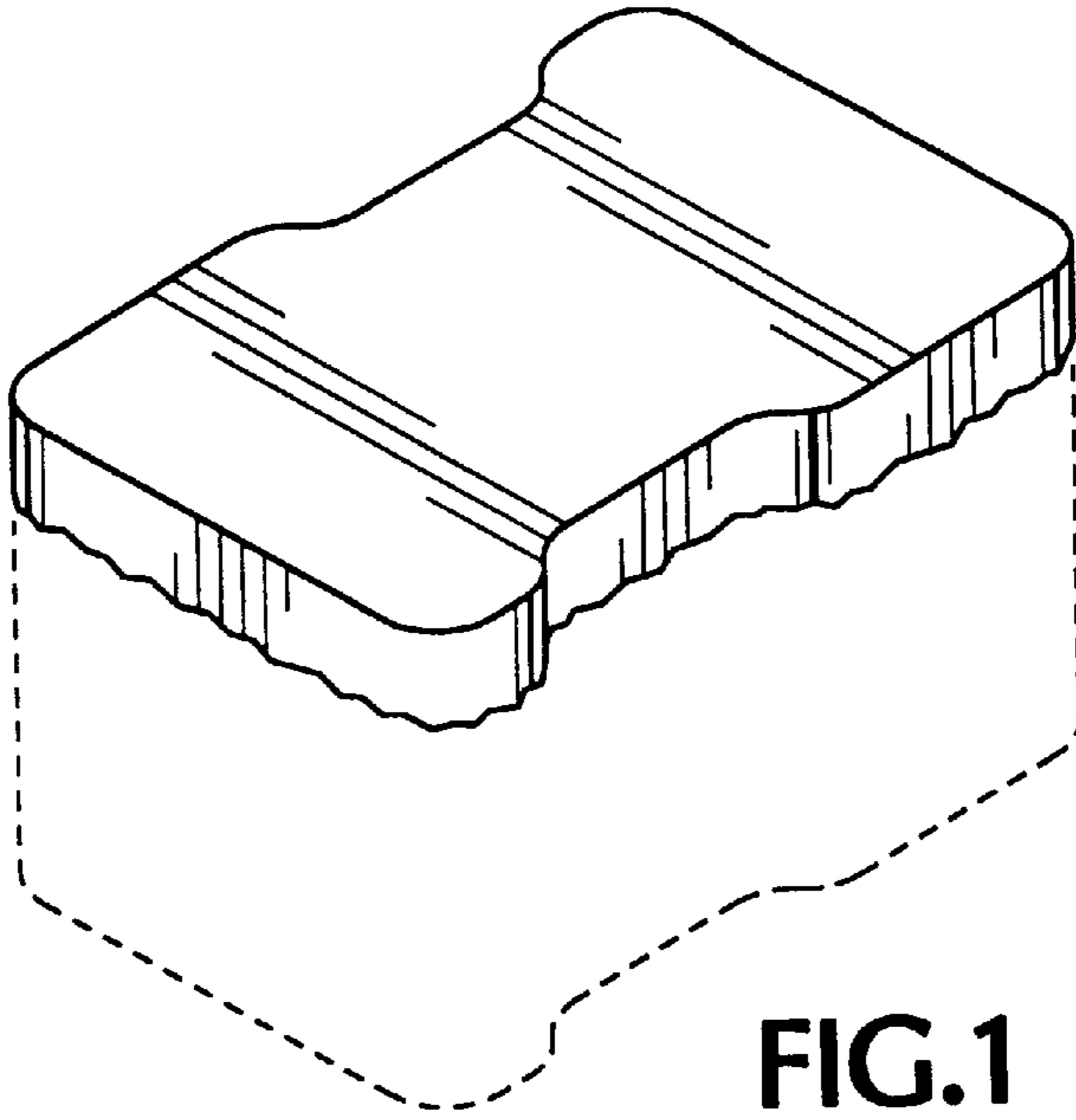


FIG. 1

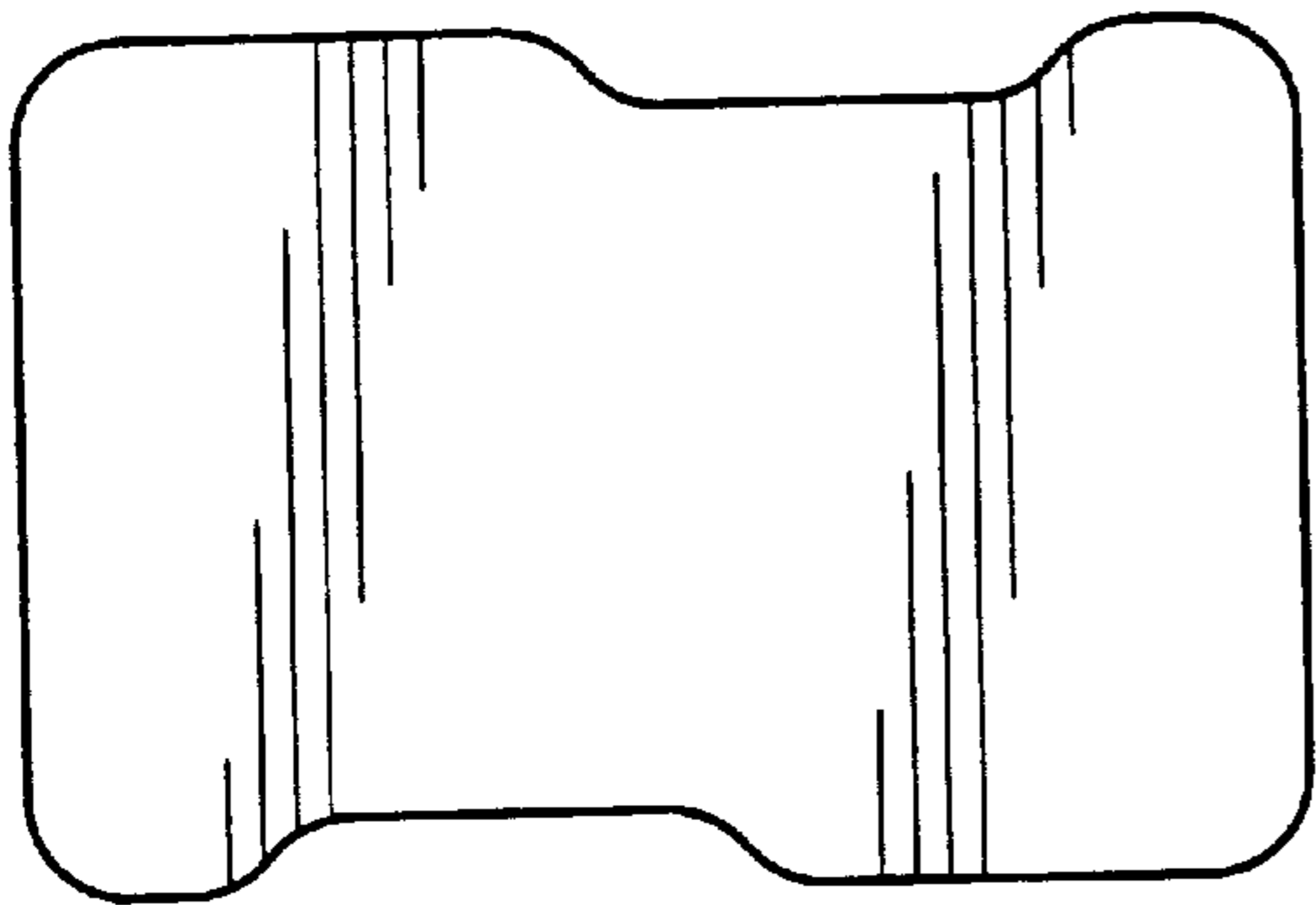


FIG. 2

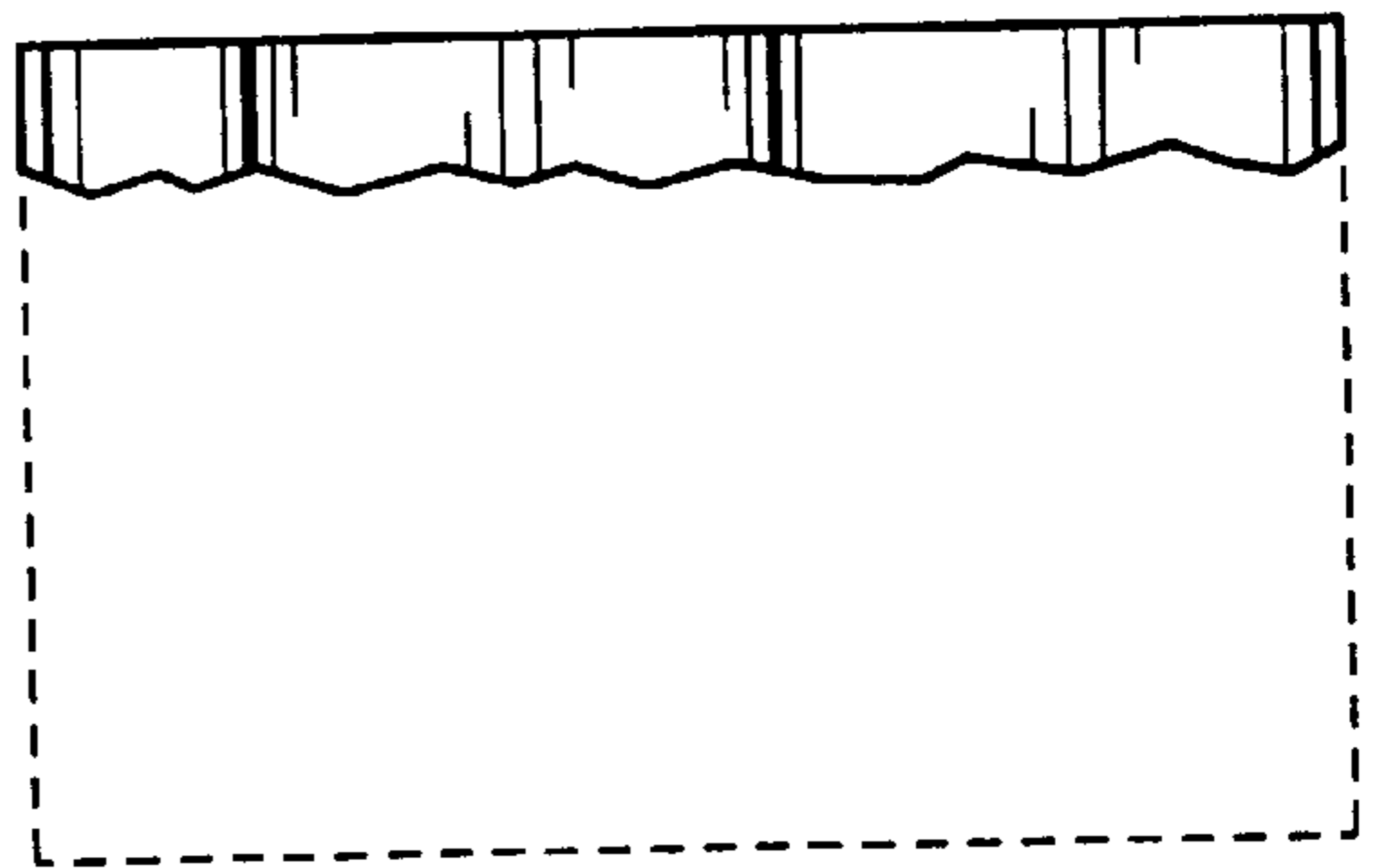


FIG. 3

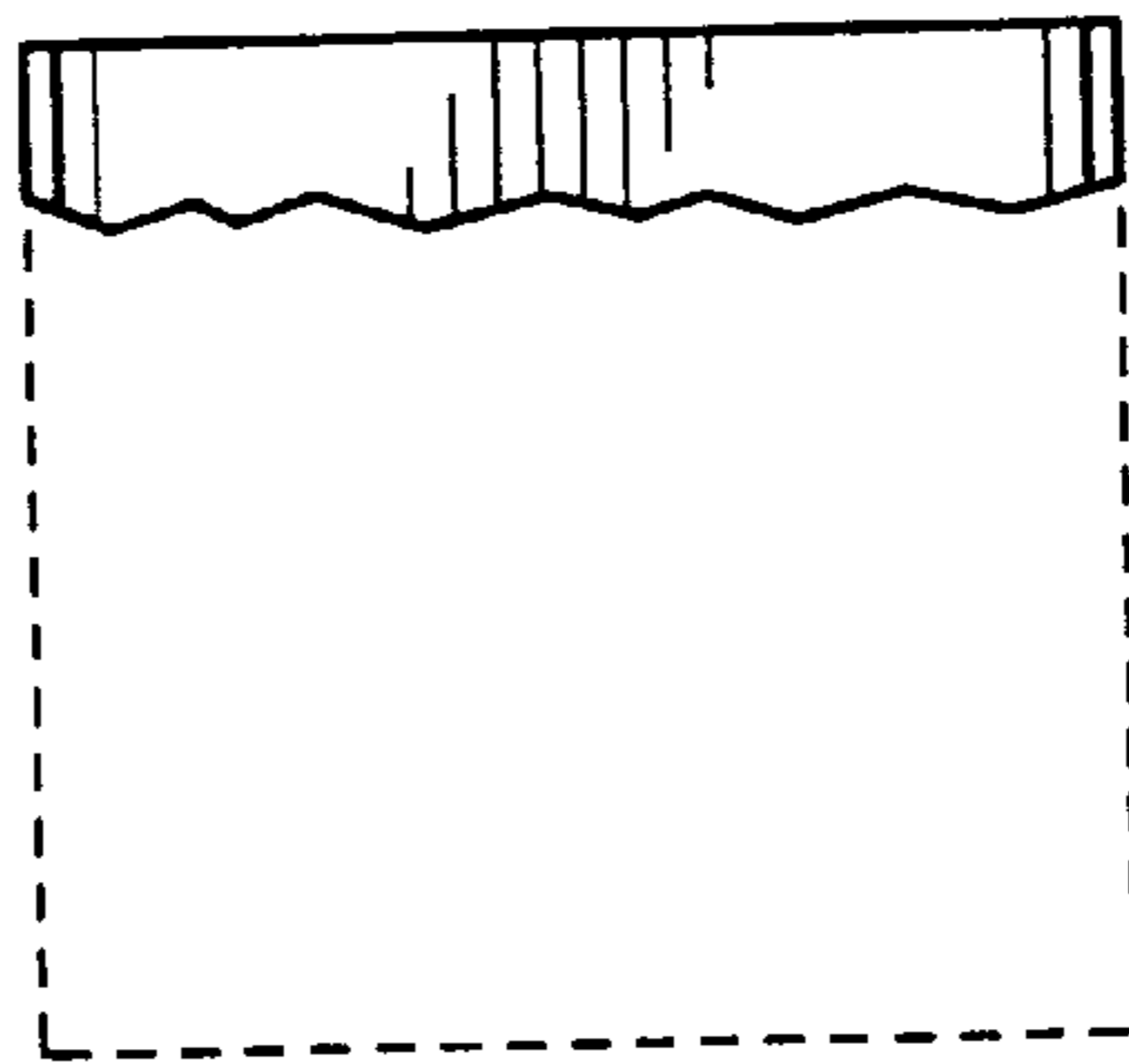


FIG. 4