



US00D440247S

(12) **United States Design Patent**
Takimoto et al.

(10) **Patent No.:** **US D440,247 S**

(45) **Date of Patent:** **** Apr. 10, 2001**

(54) **PRINTER FOR AN ELECTRONIC COMPUTER**

(75) Inventors: **Makoto Takimoto; Atsushi Kaseno,**
both of Nara-ken (JP)

(73) Assignee: **Sharp Kabushiki Kaisha, Osaka (JP)**

(**) Term: **14 Years**

(21) Appl. No.: **29/119,476**

(22) Filed: **Mar. 1, 2000**

(30) **Foreign Application Priority Data**

Sep. 10, 1999 (JP) 11-24497

(51) **LOC (7) Cl.** **14-02**

(52) **U.S. Cl.** **D18/54**

(58) **Field of Search** D18/36-39, 50,
D18/54-55; D14/462-470; 400/613, 613.1-613.4,
691-694, 690.1-690.4

(56) **References Cited**

U.S. PATENT DOCUMENTS

- D. 300,138 * 3/1989 Nishio D14/118
- D. 301,879 * 6/1989 Ooie et al. D14/162
- D. 304,579 * 11/1989 Fujiyama et al. D14/467
- D. 315,151 * 3/1991 Tamano et al. D14/468
- D. 337,609 7/1993 Fukuda .
- D. 343,192 1/1994 Hirose .
- D. 344,080 * 2/1994 Omino D14/468
- D. 355,179 * 2/1995 Sawada et al. D14/468

- D. 363,713 * 10/1995 Kanari et al. D14/468
- D. 370,025 * 5/1996 Weng D18/50
- D. 373,380 * 9/1996 Dwyer et al. D18/55
- D. 377,370 * 1/1997 Escobedo et al. D18/55
- D. 388,455 12/1997 Tanabe .
- D. 397,333 * 8/1998 Kawai D14/462
- D. 406,273 * 3/1999 Dwyer et al. D18/55
- D. 420,998 * 2/2000 Leong et al. D14/469
- D. 425,552 * 5/2000 Kobayashi et al. D18/54
- D. 427,161 * 6/2000 Oh D14/467

FOREIGN PATENT DOCUMENTS

1078998 4/2000 (JP) .

* cited by examiner

Primary Examiner—Cathy Anne MacCormac
(74) *Attorney, Agent, or Firm*—Nixon & Vanderhye

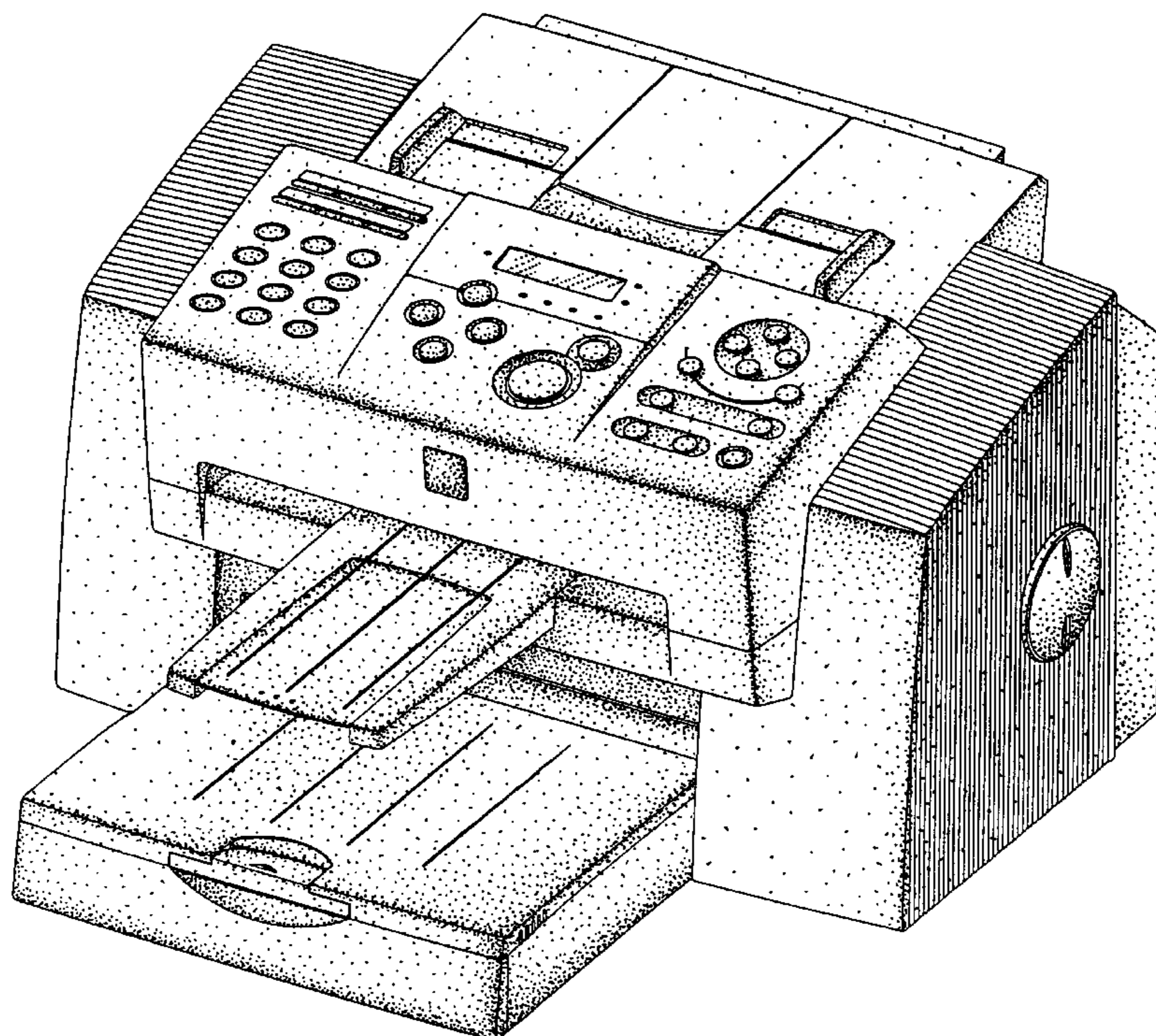
(57) **CLAIM**

The ornamental design for a “printer for an electronic computer”, as shown and described.

DESCRIPTION

FIG. 1 is a top, front and right side perspective view of a printer for an electronic computer according to our design; FIG. 2 is a top plan view thereof; FIG. 3 is a bottom plan view thereof; FIG. 4 is a front elevational view thereof; FIG. 5 is a rear elevational view thereof; FIG. 6 is a right side elevational view thereof; and, FIG. 7 is a left side elevational view thereof.

1 Claim, 7 Drawing Sheets



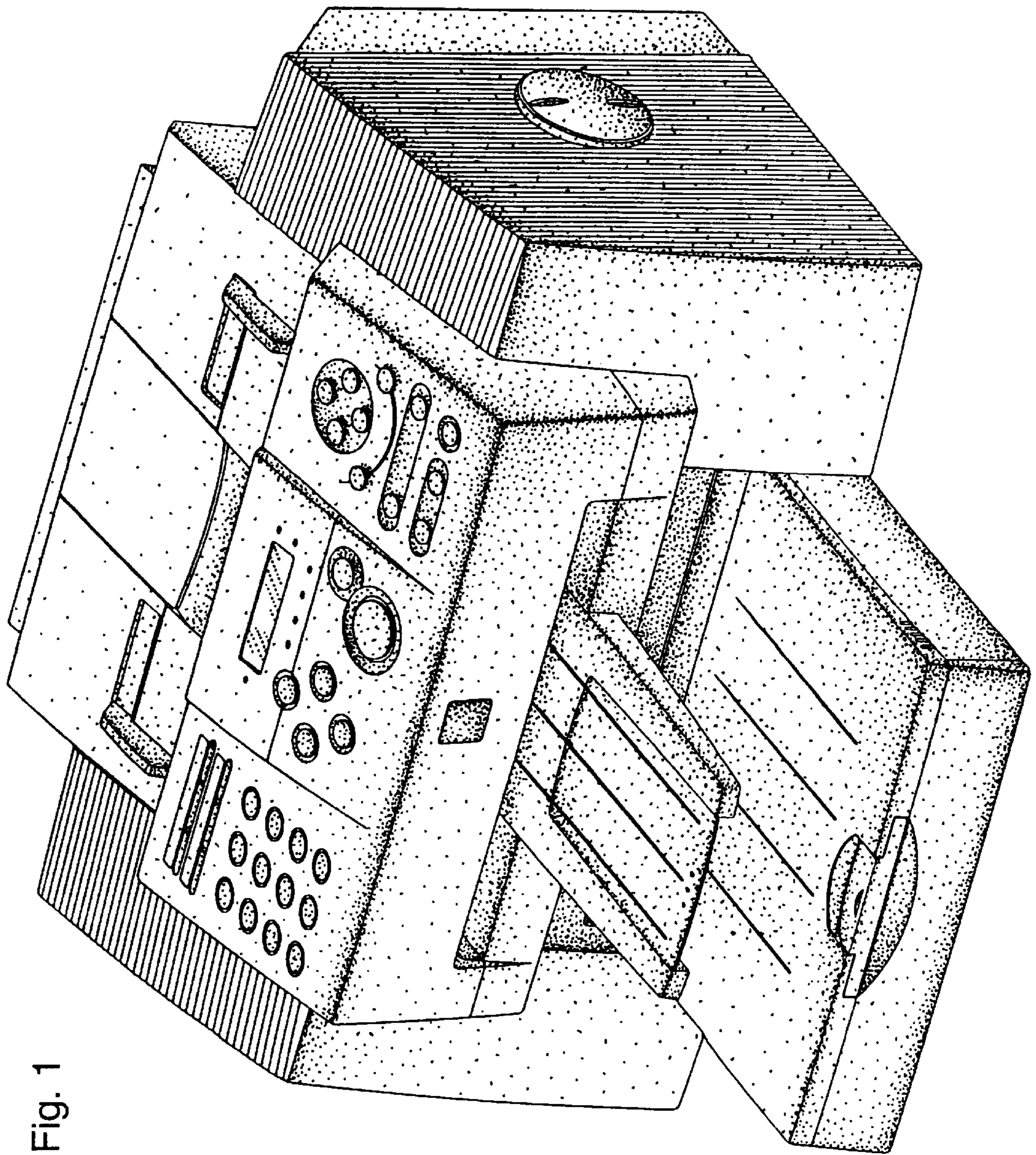


Fig. 1

Fig. 2

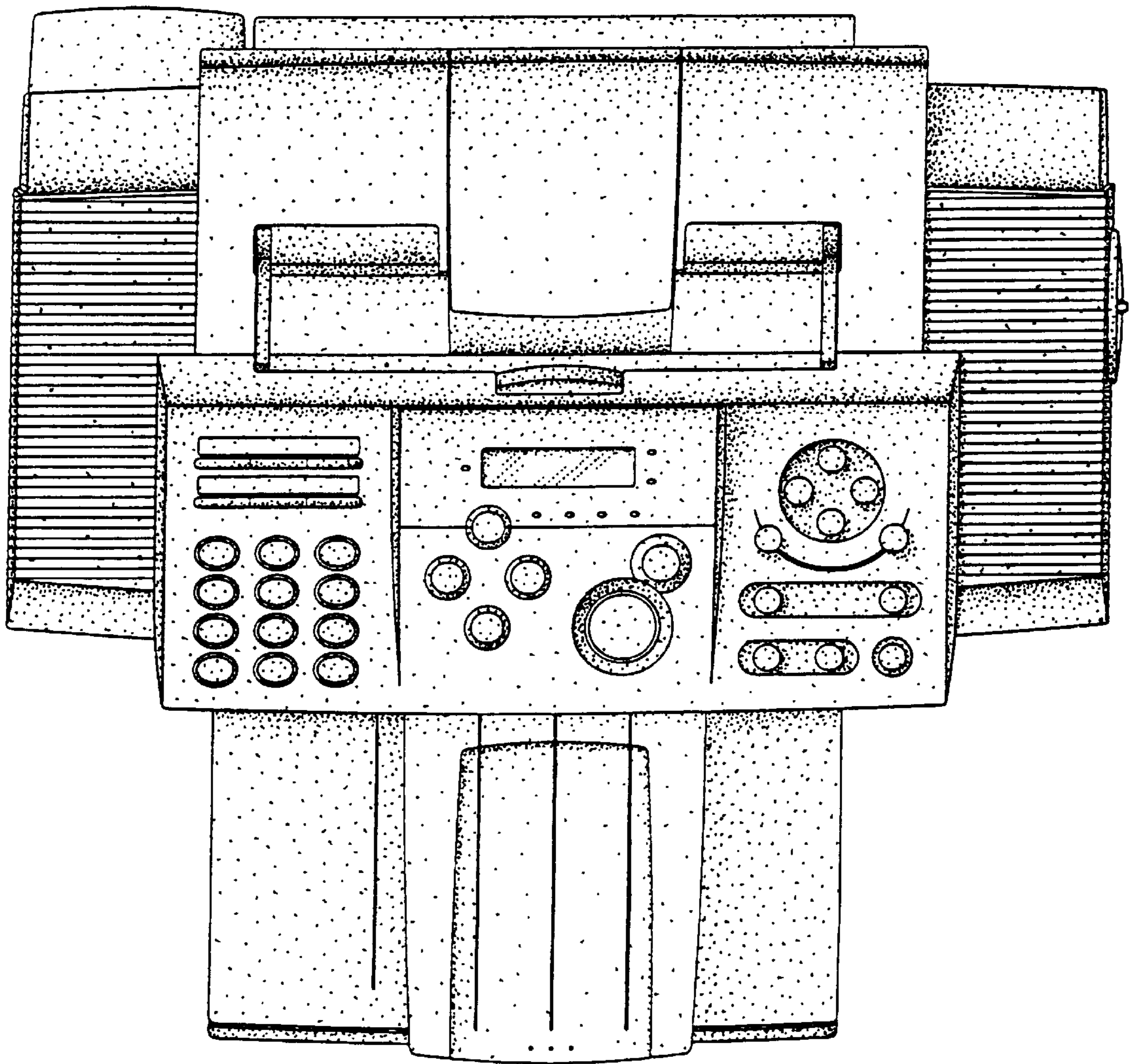


Fig. 3

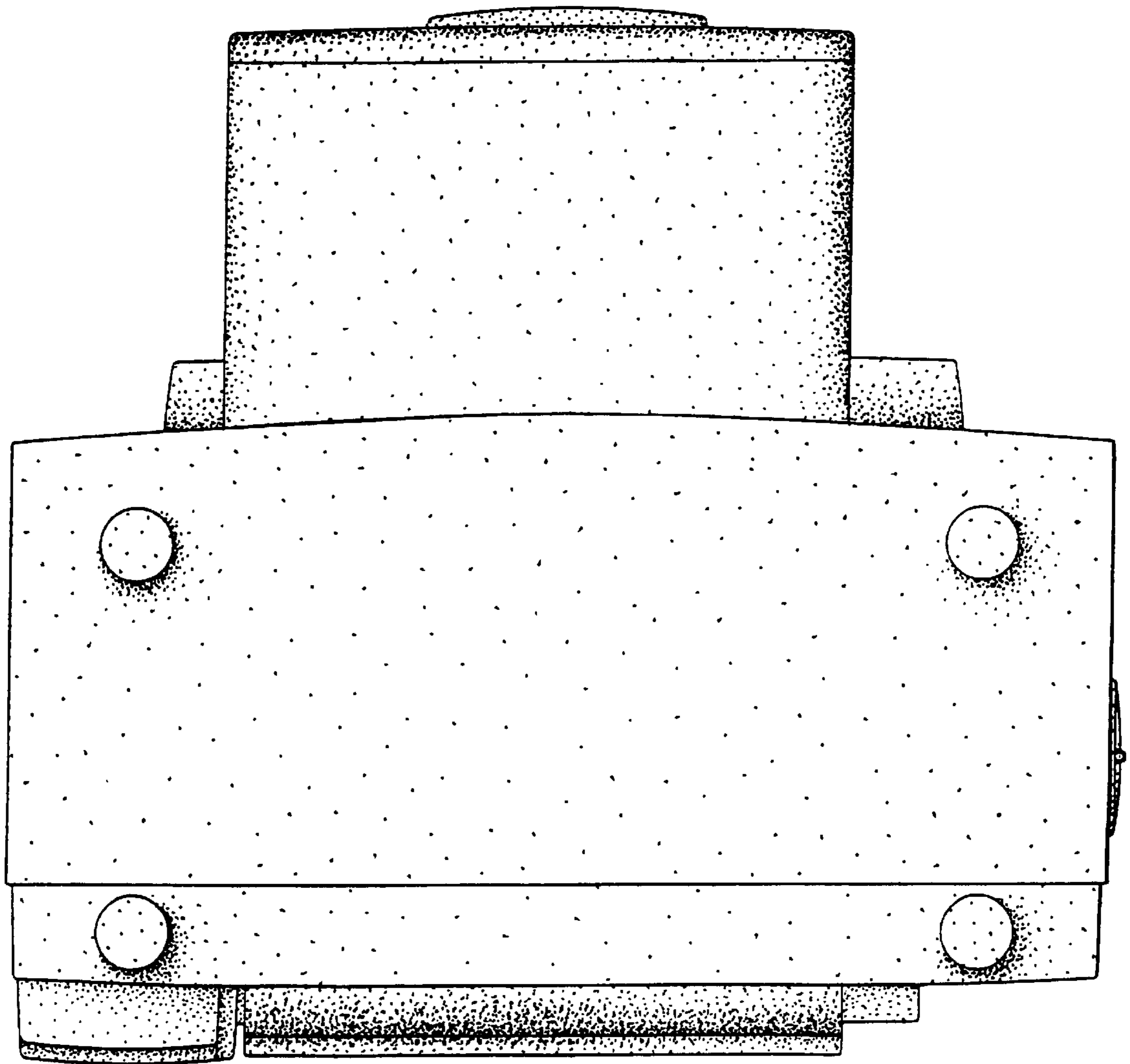


Fig. 4

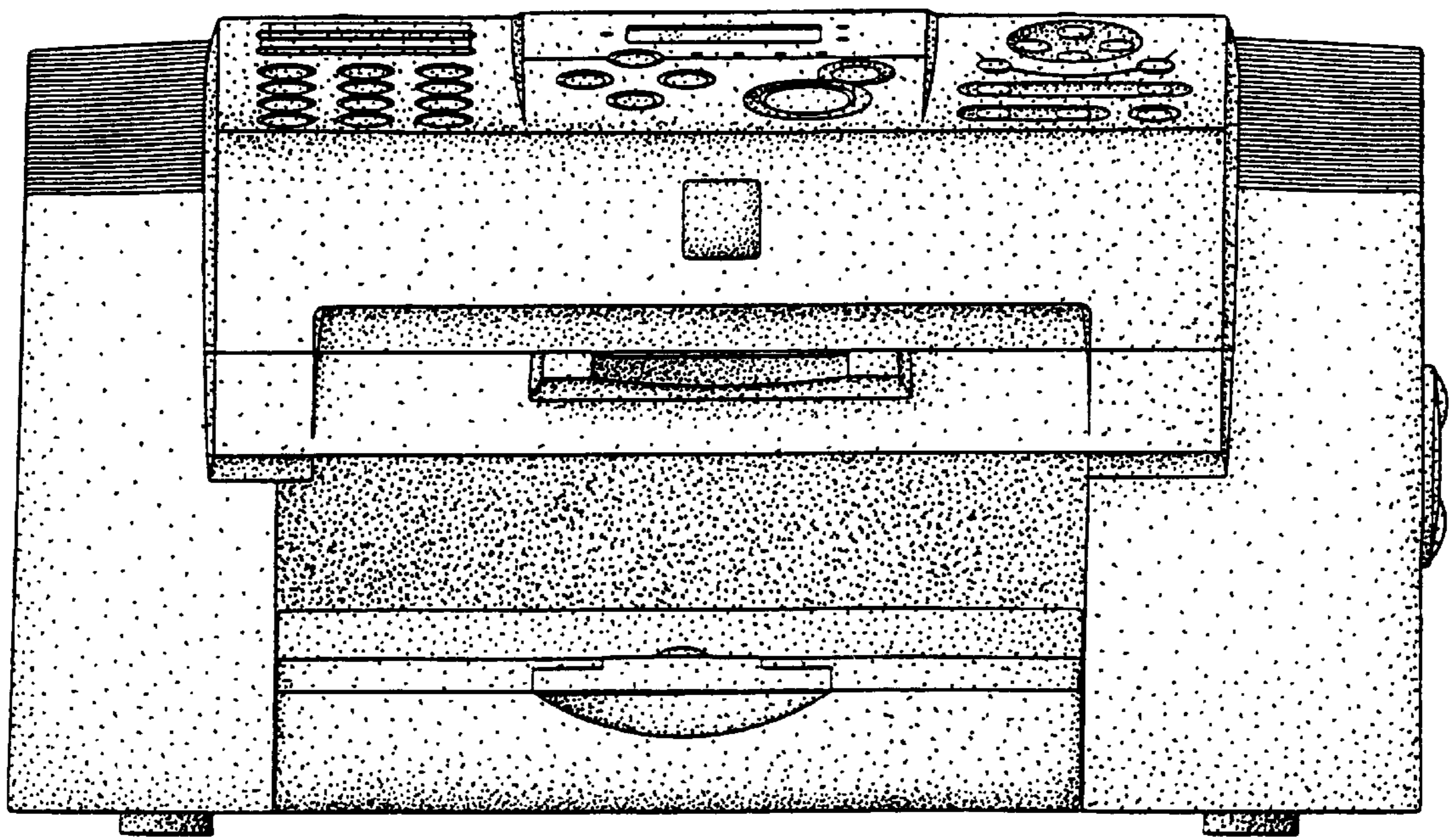


Fig. 5

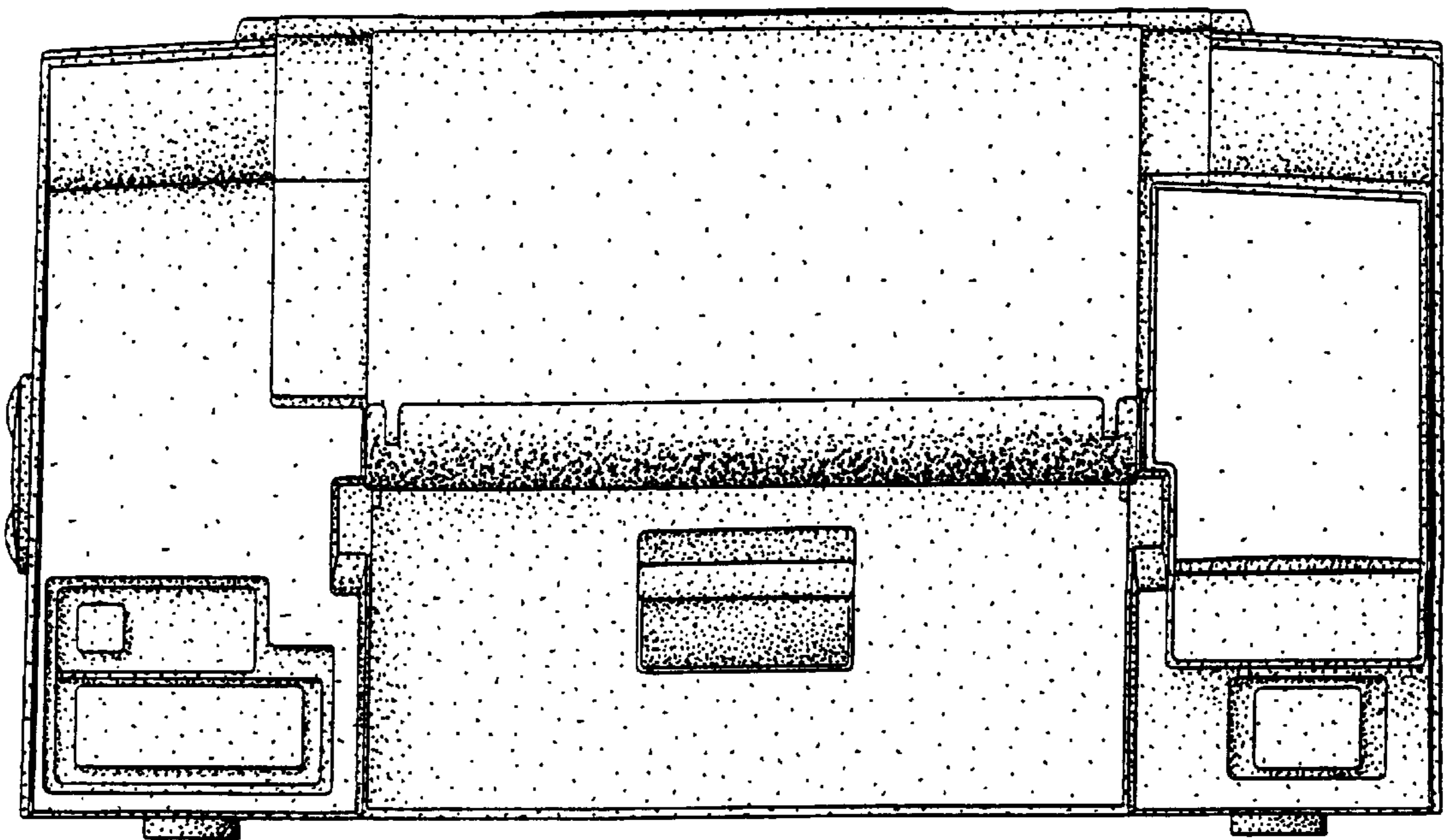


Fig. 6

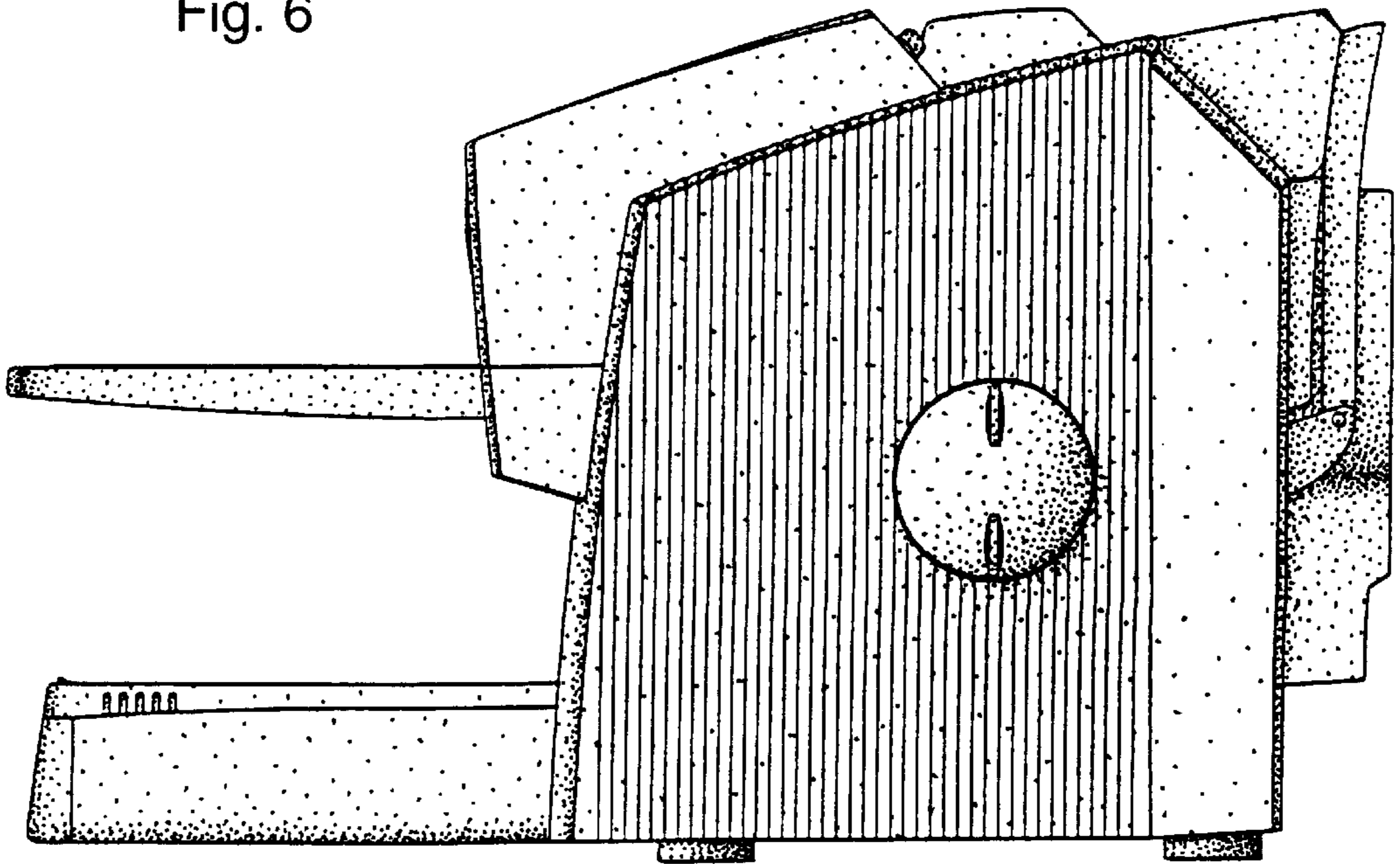


Fig. 7

