



US00D440246S

(12) **United States Design Patent**
Yin

(10) **Patent No.:** **US D440,246 S**

(45) **Date of Patent:** **** Apr. 10, 2001**

(54) **PRINTER**

(75) **Inventor:** **ZhiHong Memphis Yin, Corvallis, OR (US)**

(73) **Assignee:** **Hewlett-Packard Company, Palo Alto, CA (US)**

(**) **Term:** **14 Years**

(21) **Appl. No.:** **29/119,011**

(22) **Filed:** **Feb. 22, 2000**

(51) **LOC (7) Cl.** **14-02**

(52) **U.S. Cl.** **D18/50**

(58) **Field of Search** D18/36-39, 50,
D18/19, 54-55; D14/462-470; 400/613,
613.1-613.4, 691-694, 690.1-690.4

(56) **References Cited**

U.S. PATENT DOCUMENTS

D. 231,539	*	4/1974	MacConkey	D18/50
D. 299,346	*	1/1989	Lehman et al.	D18/54
D. 304,598	*	11/1989	Jokl	D18/55
D. 321,898	*	11/1991	Kasee et al.	D18/55
D. 329,862	*	9/1992	Watanabe et al.	D18/36
D. 338,230	*	8/1993	Pruitt et al.	D18/55
D. 339,159	*	9/1993	Pruitt et al.	D16/55
D. 343,637	*	1/1994	Umino et al.	D18/55
D. 344,754	*	3/1994	Parsey	D18/55

D. 352,731	*	11/1994	Sugimoto	D18/50
D. 360,428	*	7/1995	Hayashihara	D18/50
D. 363,733	*	10/1995	Sugimoto	D18/50
D. 363,924	*	11/1995	Ueda et al.	D14/107
D. 389,510	*	1/1998	Mimoto	D18/19
D. 425,547	*	5/2000	Ishiura	D18/19
D. 428,623	*	7/2000	Igarashi	D18/54
4,904,100	*	2/1990	Enix	400/613
5,028,935	*	7/1991	Warmack et al.	347/205
5,061,097	*	10/1991	Piatt	400/619
5,236,265	*	8/1993	Saito et al.	400/88
5,387,043	*	2/1995	Fujioka et al.	400/691
5,538,352	*	7/1996	Sugiura	400/615.2

* cited by examiner

Primary Examiner—Cathy Anne MacCormac

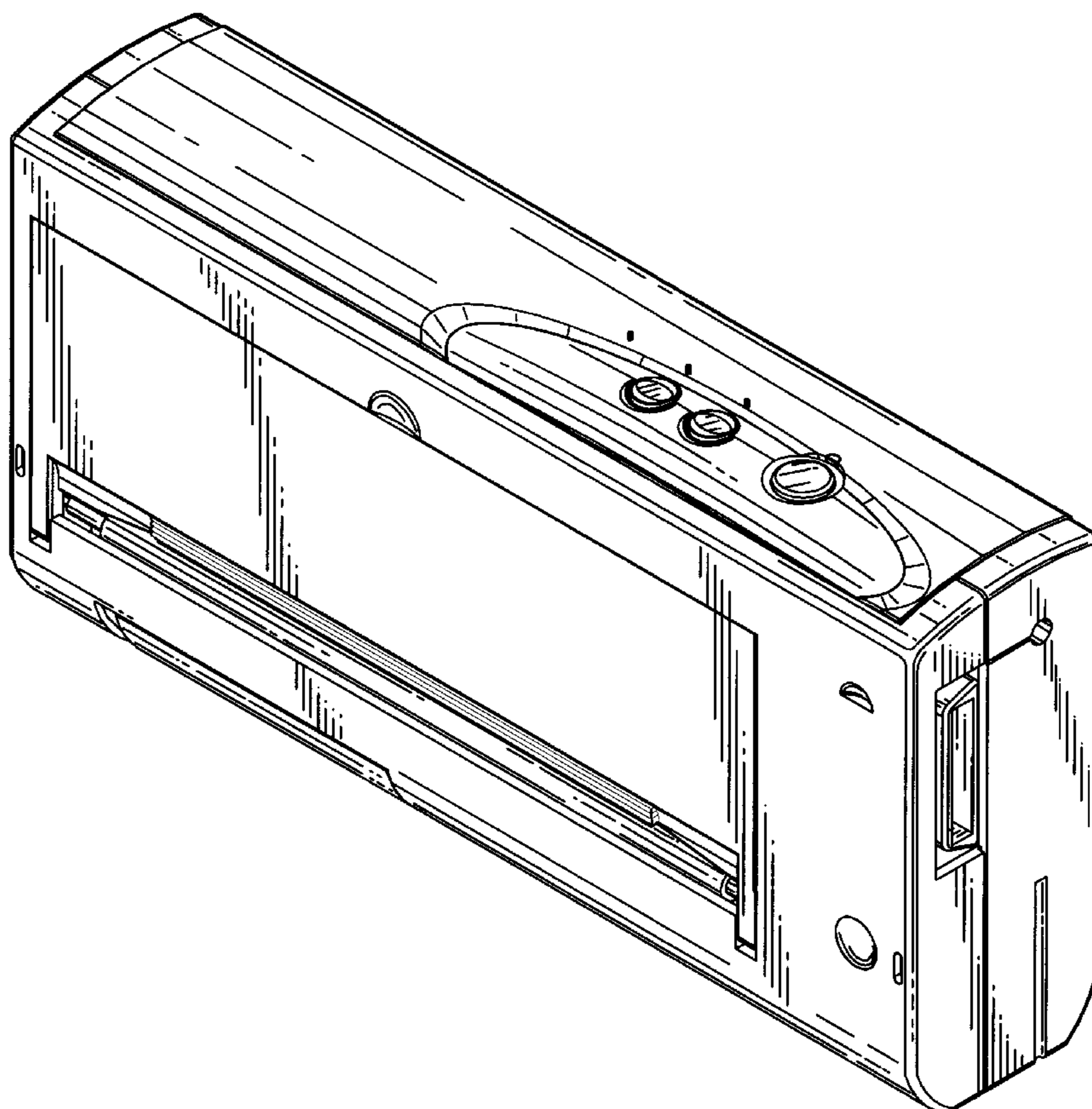
(57) **CLAIM**

The ornamental design for a printer, as shown.

DESCRIPTION

FIG. 1 is a perspective view of a printer;
FIG. 2 is a front elevation view thereof;
FIG. 3 is a left side elevation view thereof;
FIG. 4 is a right side elevation view thereof;
FIG. 5 is a top plan view thereof;
FIG. 6 is a bottom plan view thereof; and,
FIG. 7 is a rear elevation view thereof.

1 Claim, 5 Drawing Sheets



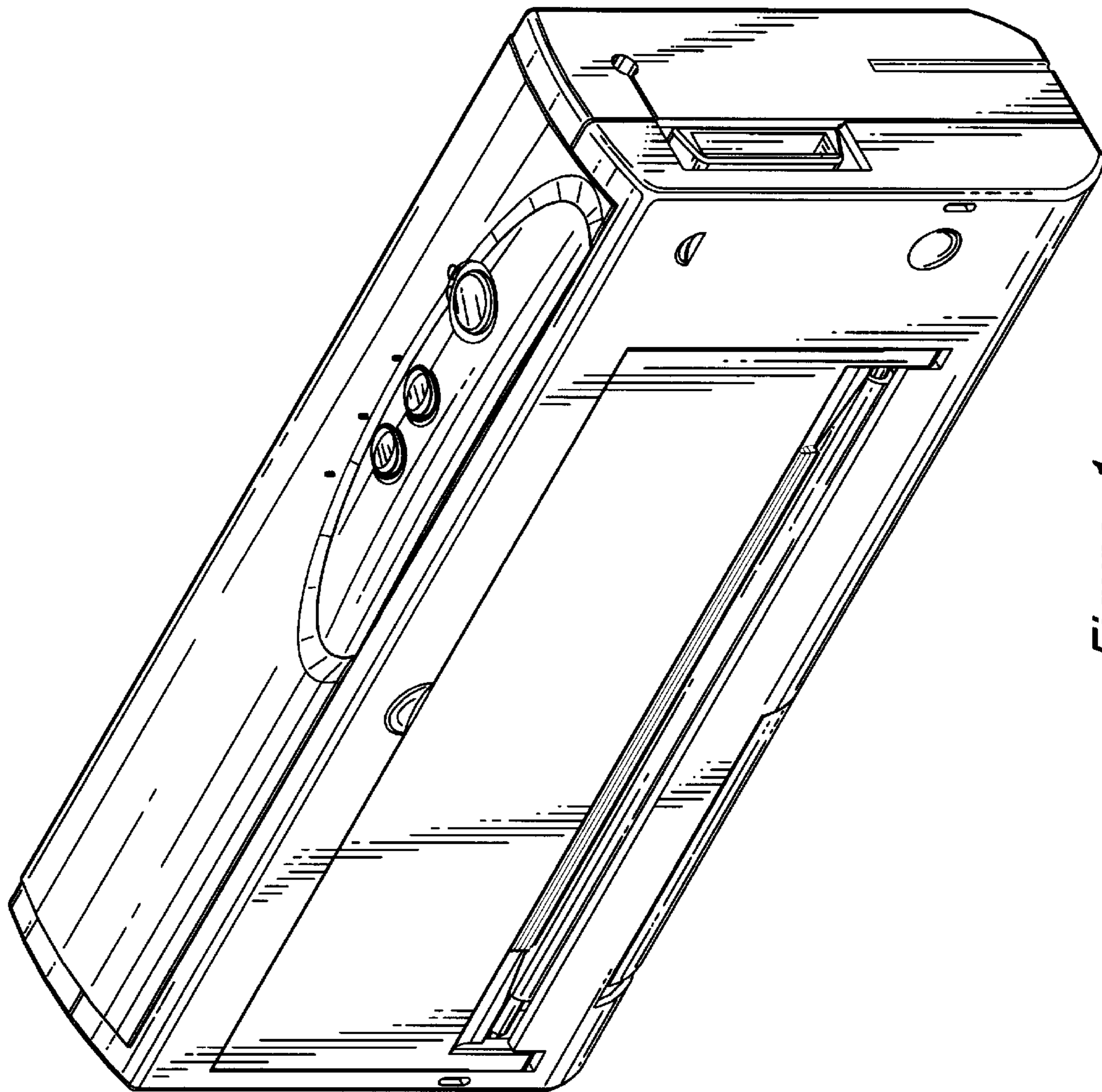


Figure 1

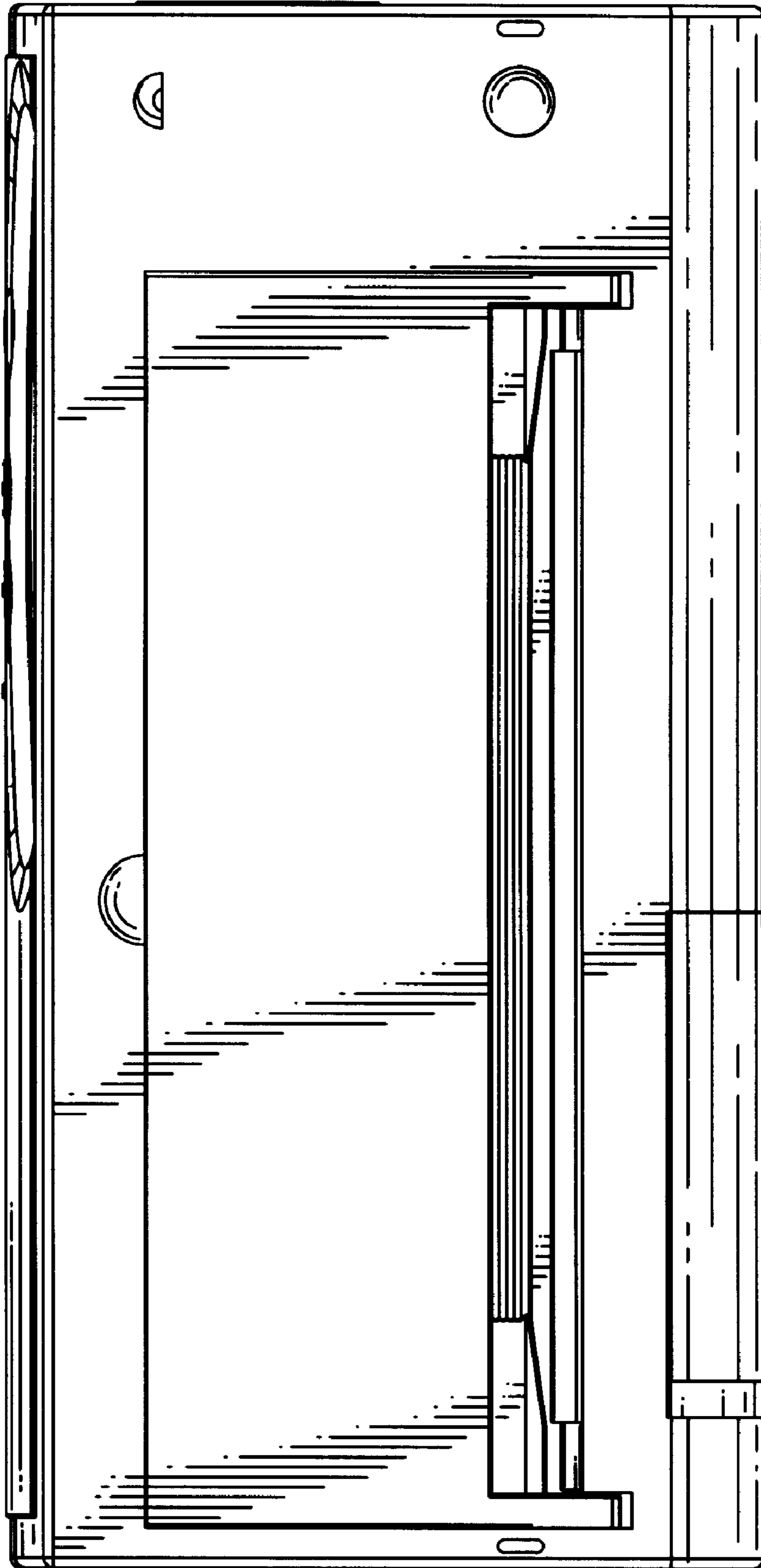


Figure 2

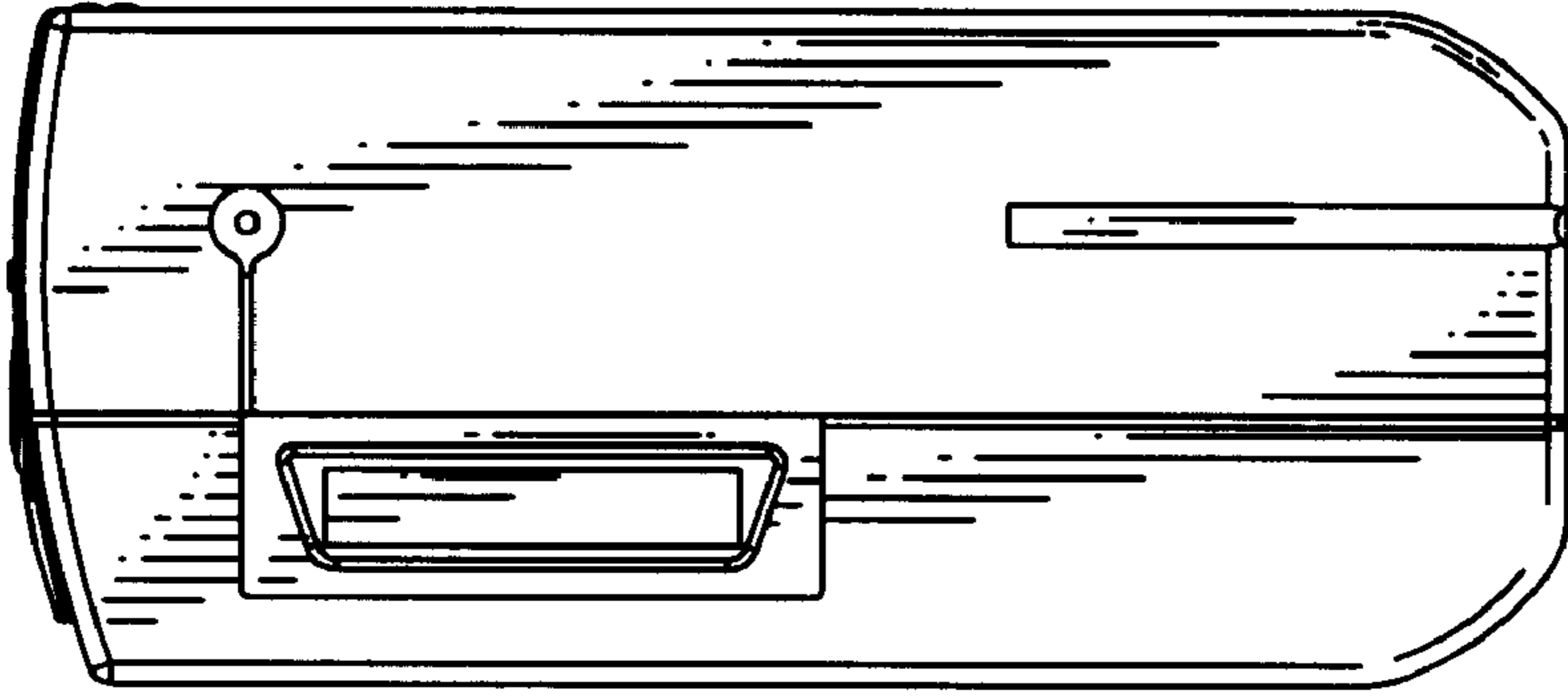


Figure 4

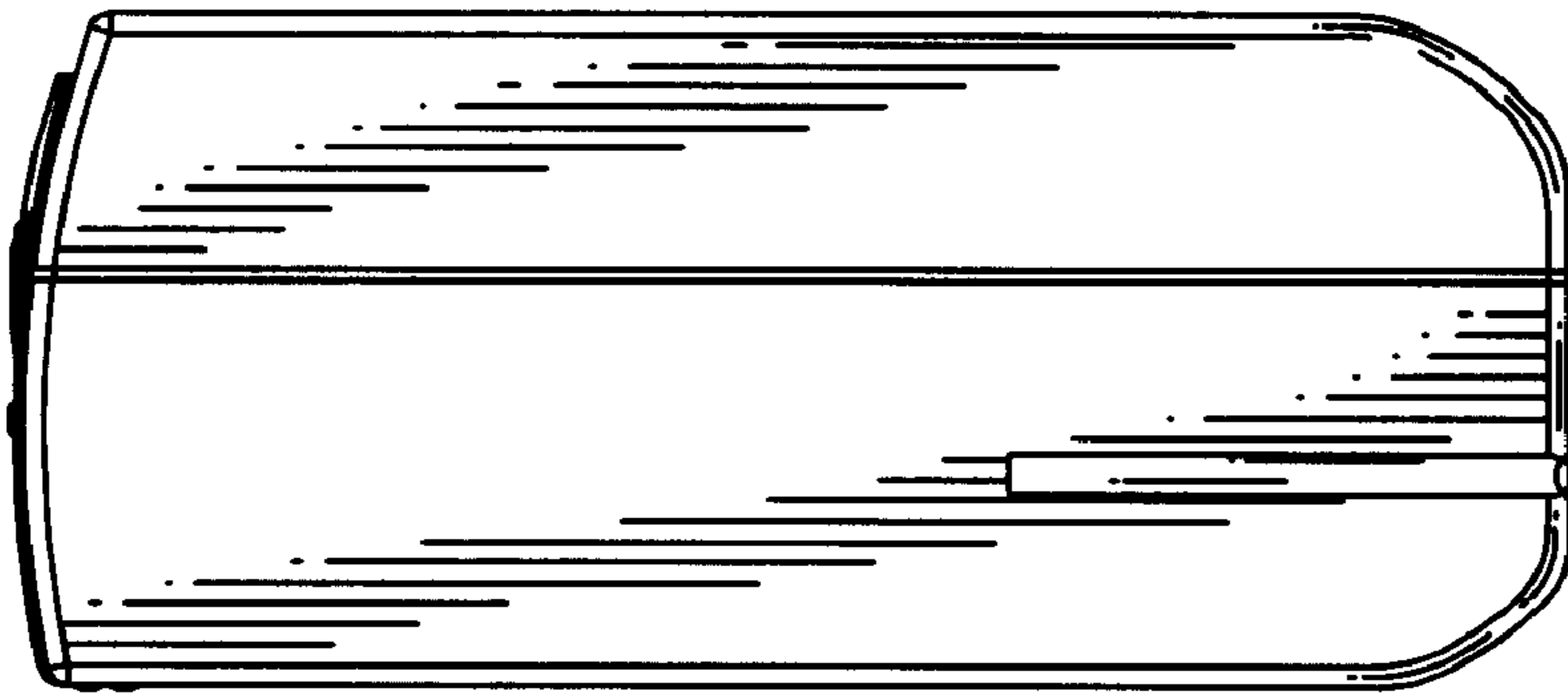


Figure 3

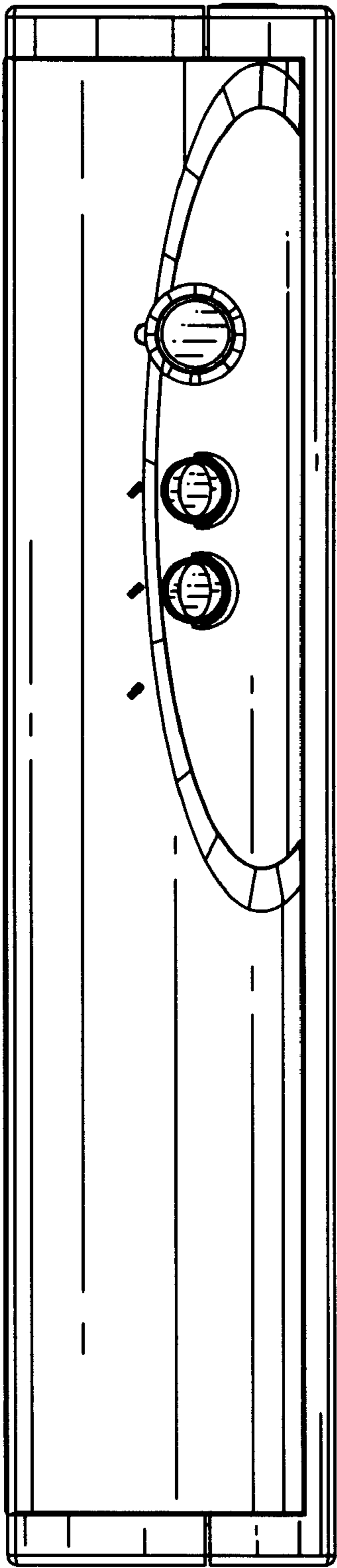


Figure 5

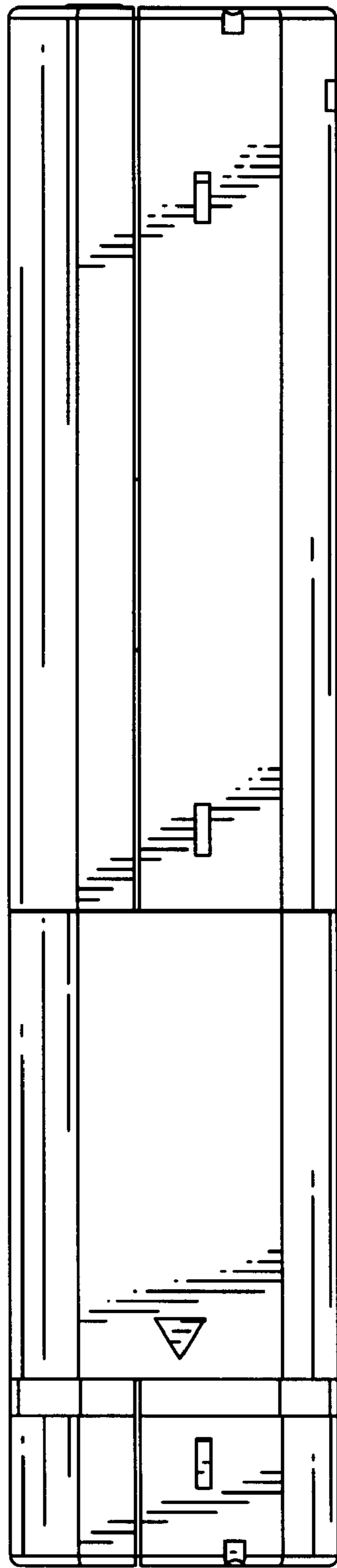


Figure 6

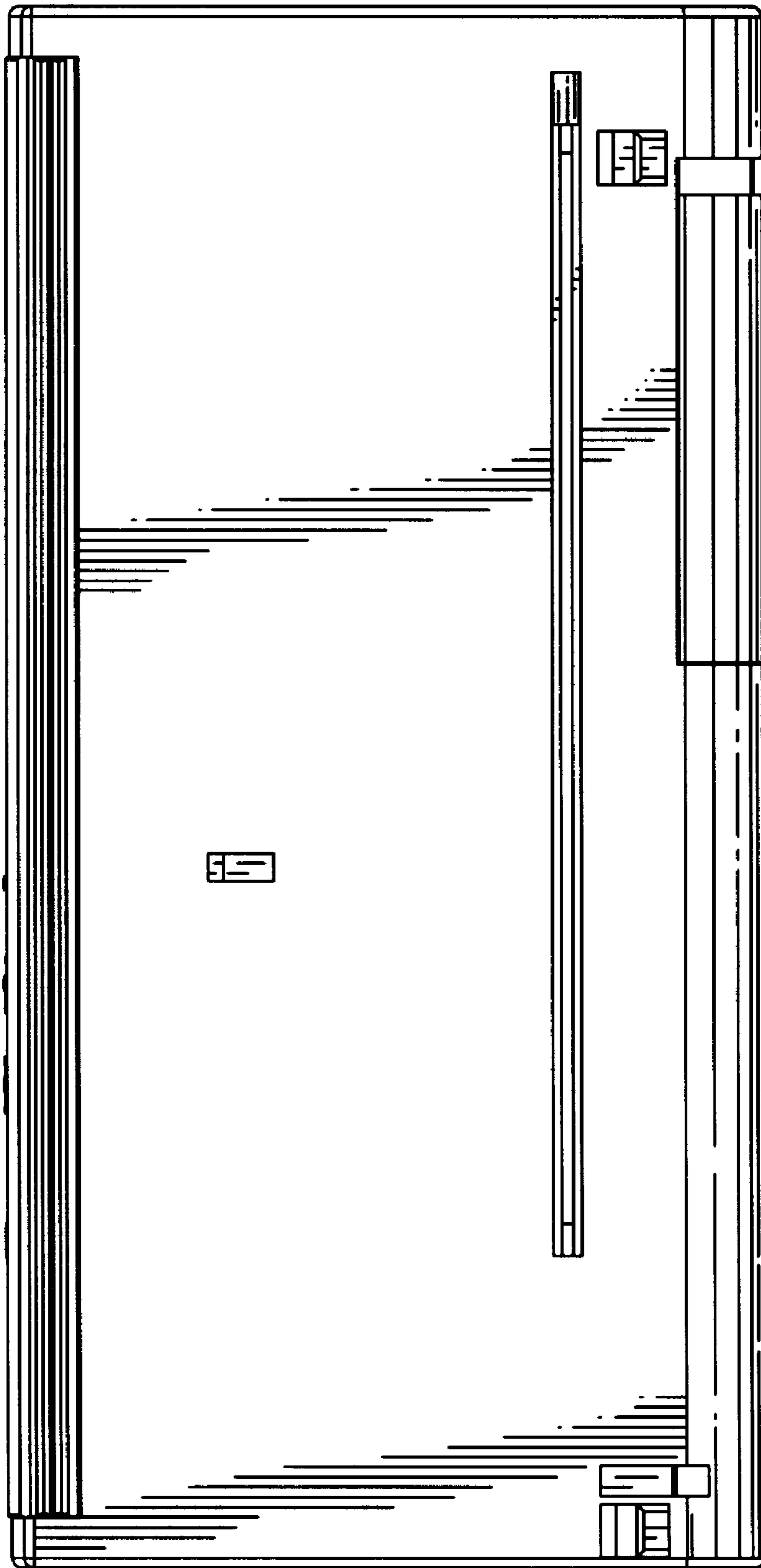


Figure 7