



US00D440244S

(12) **United States Design Patent**
Prather et al.

(10) **Patent No.:** **US D440,244 S**
(45) **Date of Patent:** **** Apr. 10, 2001**

(54) **VIDEO CAMERA WITH ADJUSTABLE LEGS**

5,855,343 1/1999 Krekelberg 248/121

(75) Inventors: **Vance A. Prather**, Fremont; **John Brooks**, Larkspur; **Sammy Tsang**, Alameda; **Paul Hamerton-Kelly**, Berkeley; **Jochen Backs**, San Francisco, all of CA (US)

OTHER PUBLICATIONS

Better Homes and Gardens, Feb. 2000 vol. 78 (ZoomCam USB).*

* cited by examiner

(73) Assignee: **Logitech Europe S.A.**, Romanel-sur Morges (CH)

Primary Examiner—Adir Aronovich

(74) *Attorney, Agent, or Firm*—Townsend and Townsend and Crew LLP

(**) Term: **14 Years**

(57) **CLAIM**

(21) Appl. No.: **29/119,498**

The ornamentals design for a video camera with adjustable legs, as shown and described.

(22) Filed: **Mar. 1, 2000**

DESCRIPTION

(51) **LOC (7) Cl.** **16-01**

(52) **U.S. Cl.** **D16/202**

(58) **Field of Search** D16/200–205, D16/208; 348/14–20, 373–376; 248/187.1, 188.5, 188.7; 396/419, 428, 535–541

FIG. 1 is a perspective view of a video camera with adjustable legs showing my new design in a folded position; FIG. 2 is a perspective view thereof in an upright position; FIG. 3 is a top plan view thereof in the upright position; FIG. 4 is a front elevational view thereof in the upright position;

FIG. 5 is a right side elevational view, the left side elevational view being a mirror image thereof in the upright position;

FIG. 6 is a rear elevational view thereof in the upright position; and,

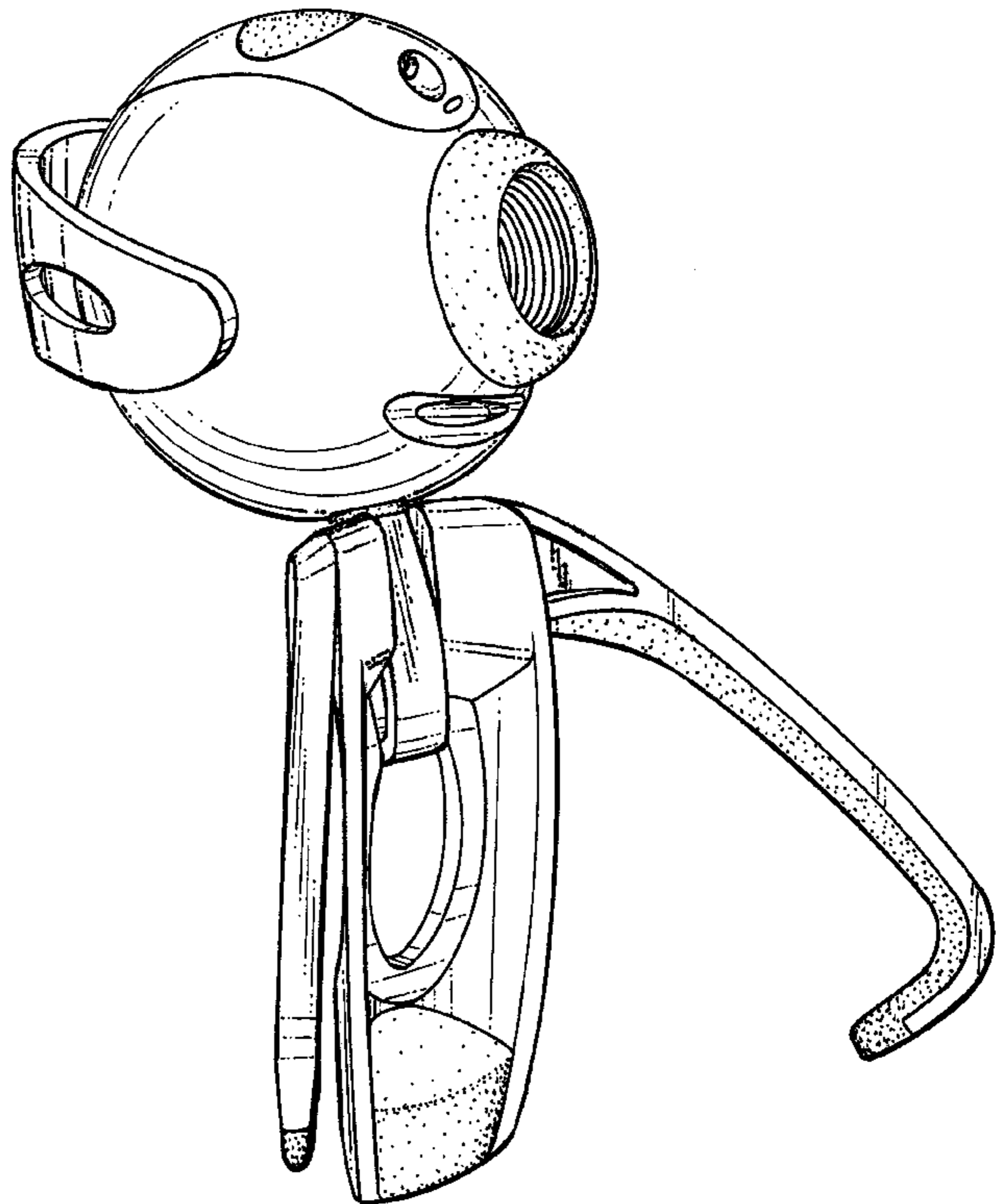
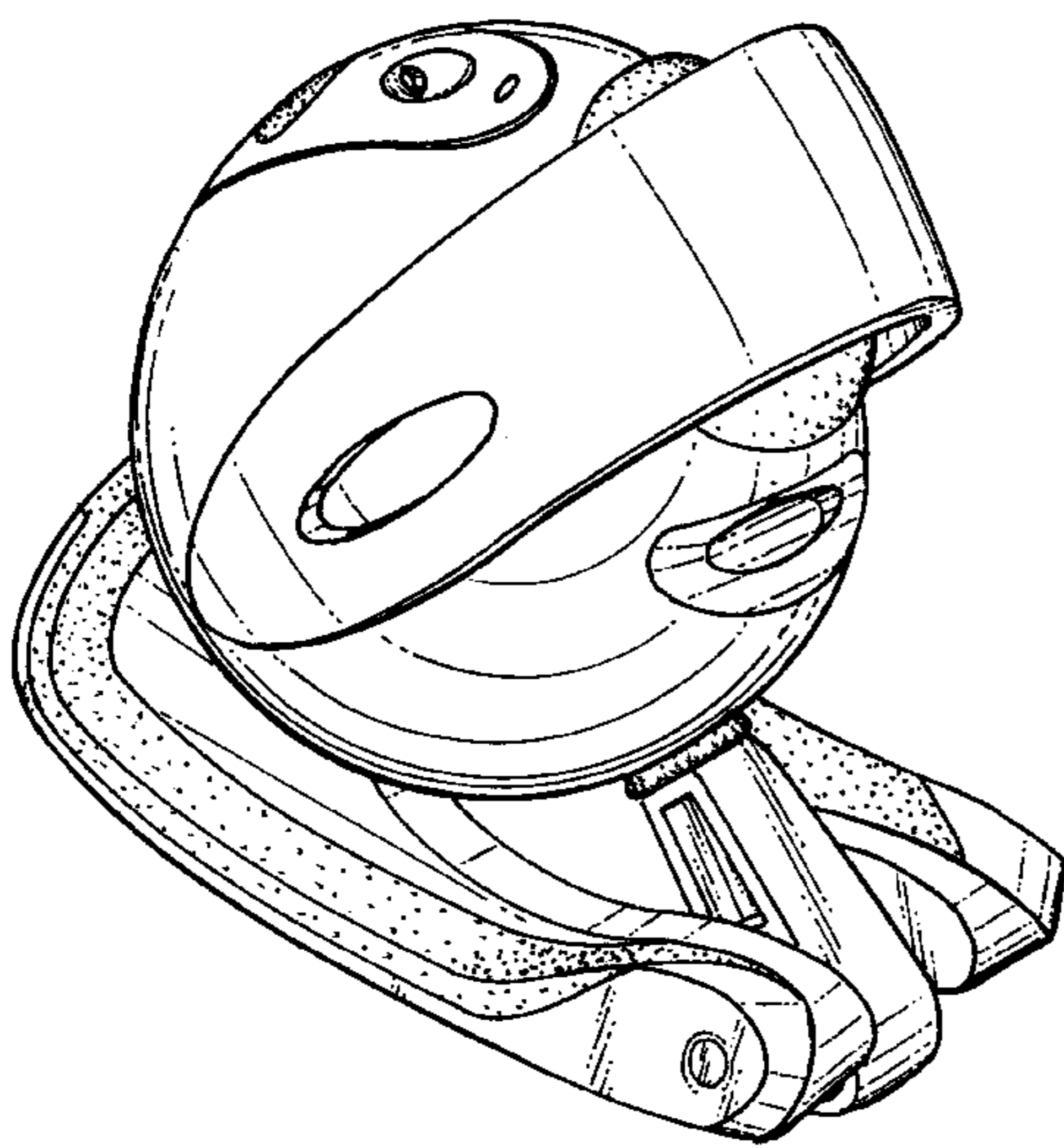
FIG. 7 is a bottom plan view thereof in the upright position.

(56) **References Cited**

U.S. PATENT DOCUMENTS

- D. 383,475 * 9/1997 Yamauchi et al. D16/202
- D. 387,788 * 12/1997 Jeong et al. D16/202
- D. 389,500 * 1/1998 Krekelberg D16/202
- D. 390,244 * 2/1998 Yamakawa et al. D16/202
- D. 392,299 * 3/1998 Lin D16/202
- D. 407,762 * 4/1999 Ota et al. D21/332
- D. 430,587 * 9/2000 Summit D16/202

1 Claim, 7 Drawing Sheets



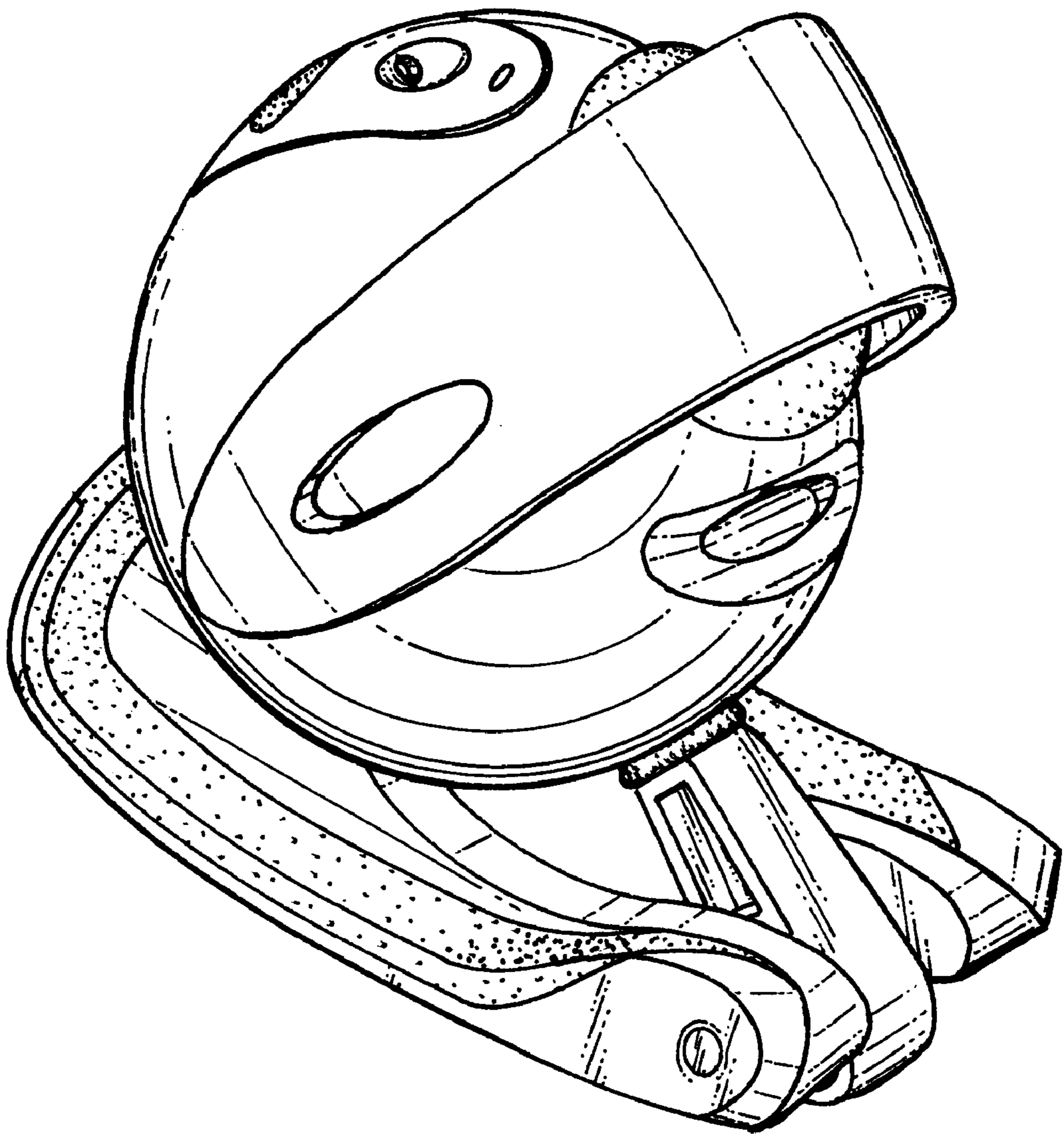


FIG. 1.

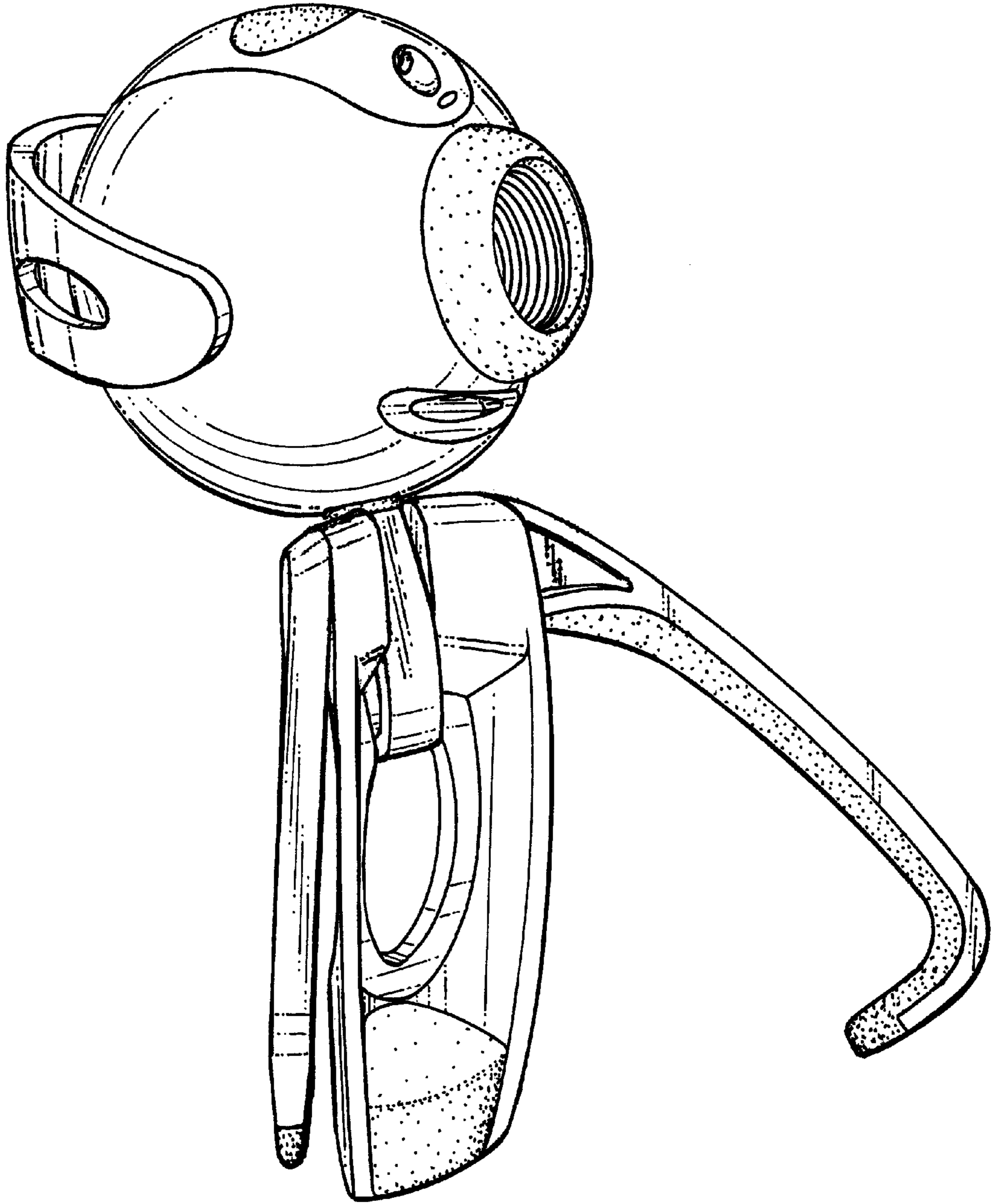
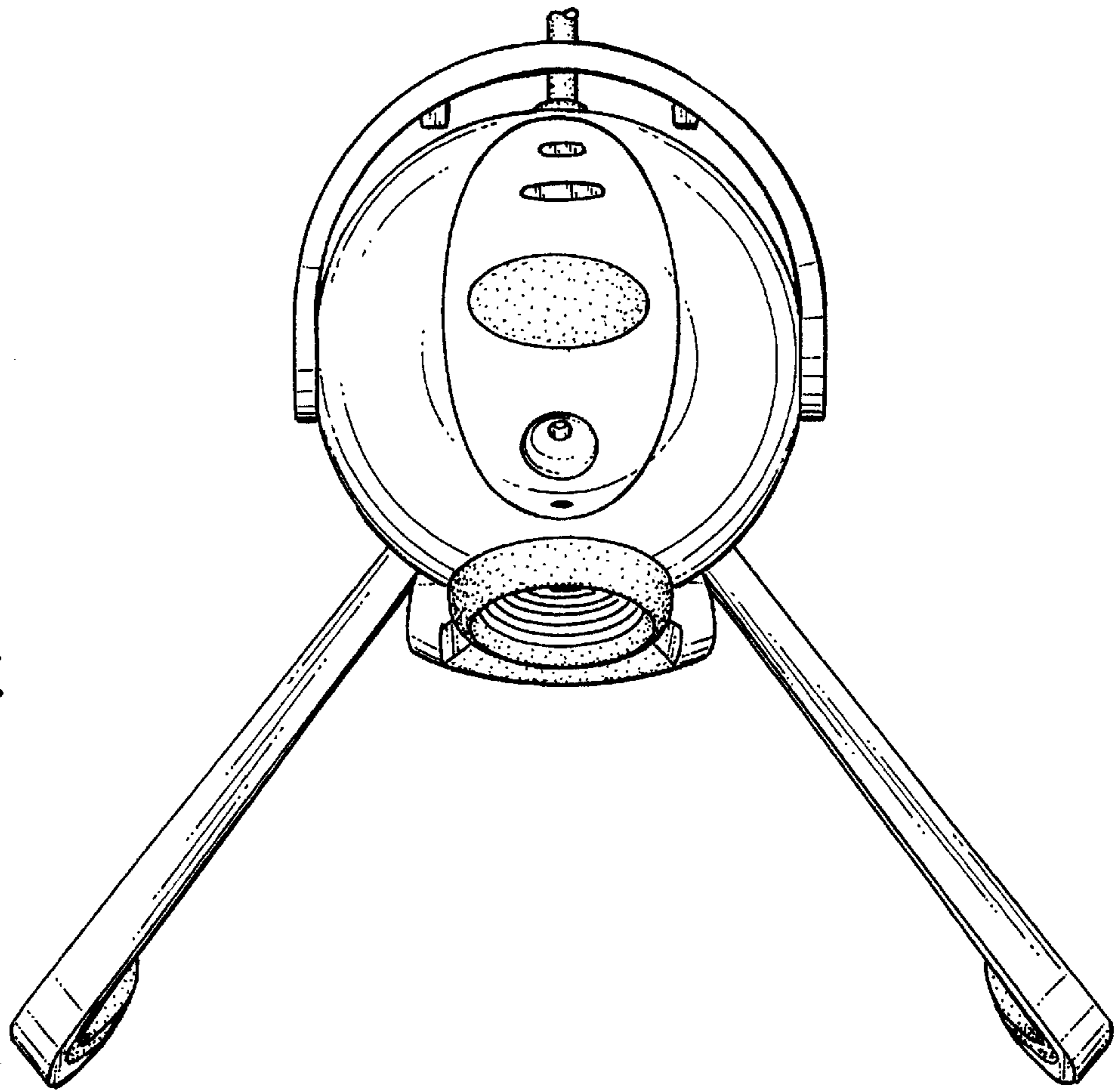


FIG. 2.

FIG. 3.



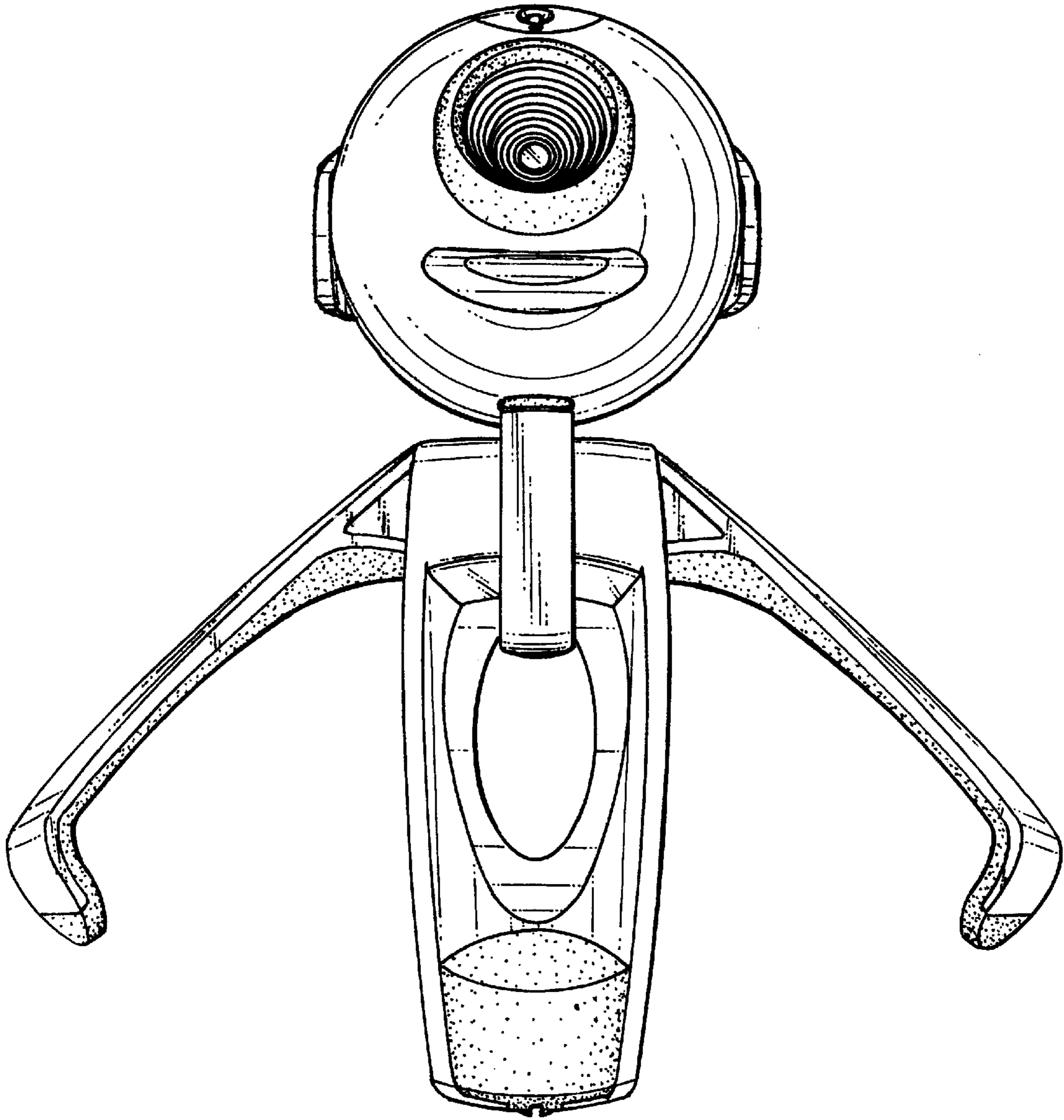


FIG. 4.

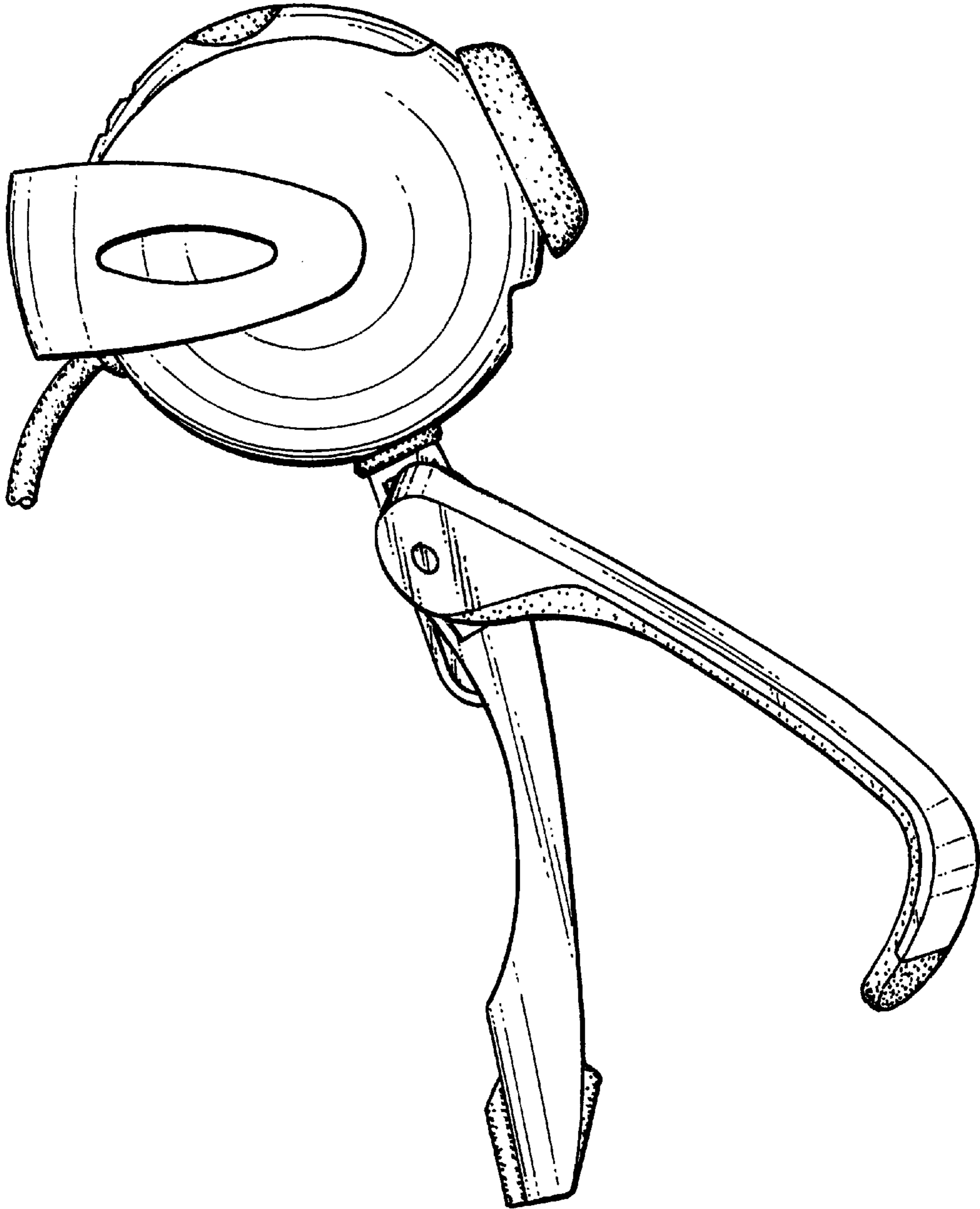


FIG. 5.

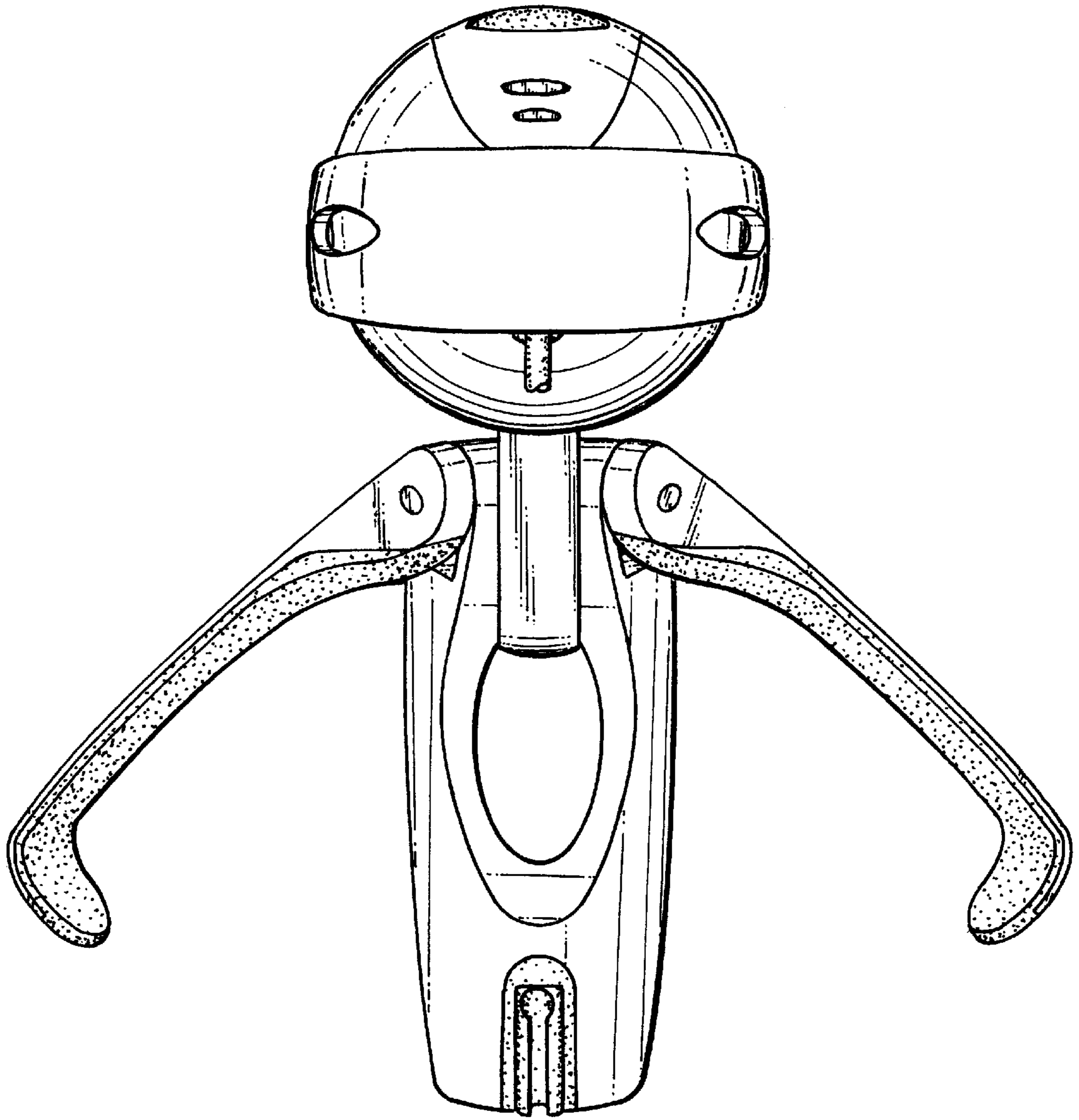


FIG. 6.

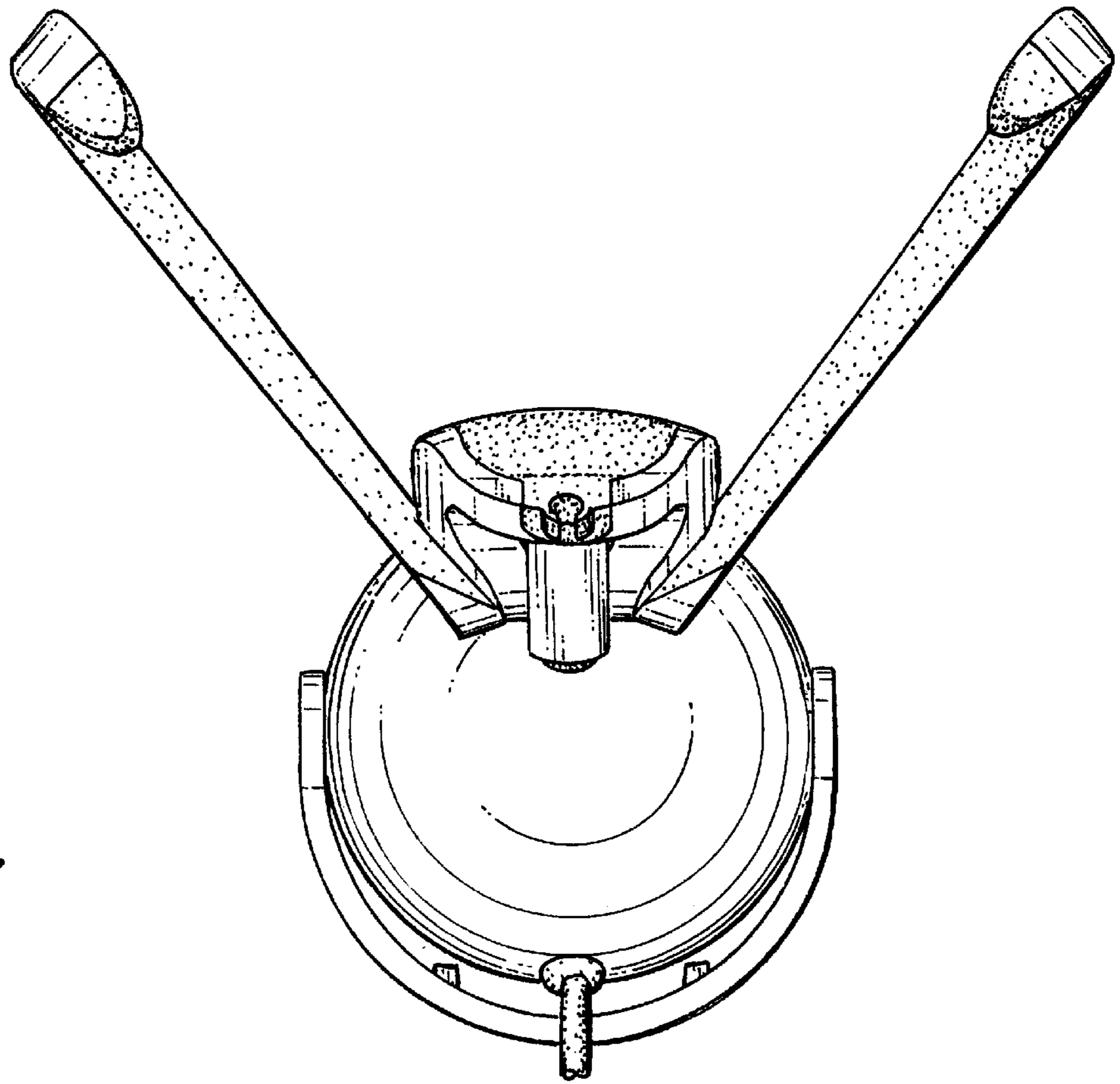


FIG. 7.