



US00D440242S

(12) **United States Design Patent**
Wong

(10) **Patent No.:** **US D440,242 S**

(45) **Date of Patent:** **** Apr. 10, 2001**

(54) **MICROSCOPE SLIDE MOISTURE CHAMBER ASSEMBLY**

(75) **Inventor:** **Johnson N. S. Wong**, Rolling Hills, CA (US)

(73) **Assignee:** **Evergreen Industries, Inc.**, Los Angeles, CA (US)

(**) **Term:** **14 Years**

(21) **Appl. No.:** **29/127,405**

(22) **Filed:** **Aug. 4, 2000**

(51) **LOC (7) Cl.** **16-06**

(52) **U.S. Cl.** **D16/131**

(58) **Field of Search** D16/130, 131, D16/234, 235, 236; D3/272, 273, 276, 281, 282, 294; 190/110, 111, 112; 206/372, 373, 349, 379, 456, 521

(56) **References Cited**

U.S. PATENT DOCUMENTS

- D. 264,396 * 5/1982 Harvey et al. D3/294
- D. 357,807 * 5/1995 Meyer D3/276

- 3,381,782 * 5/1968 Ikelheimer 206/521
- 3,410,391 * 11/1968 Kanter 206/379 X
- 3,672,490 * 6/1972 DesMarais et al. 206/456
- 3,710,900 * 1/1973 Fink 190/110 X
- 5,632,959 * 5/1997 Mohajer 206/456 X

* cited by examiner

Primary Examiner—Paula A. Mortimer

(74) *Attorney, Agent, or Firm*—Fulbright & Jaworski

(57) **CLAIM**

The ornamental design for a microscope slide moisture chamber assembly, as shown and described.

DESCRIPTION

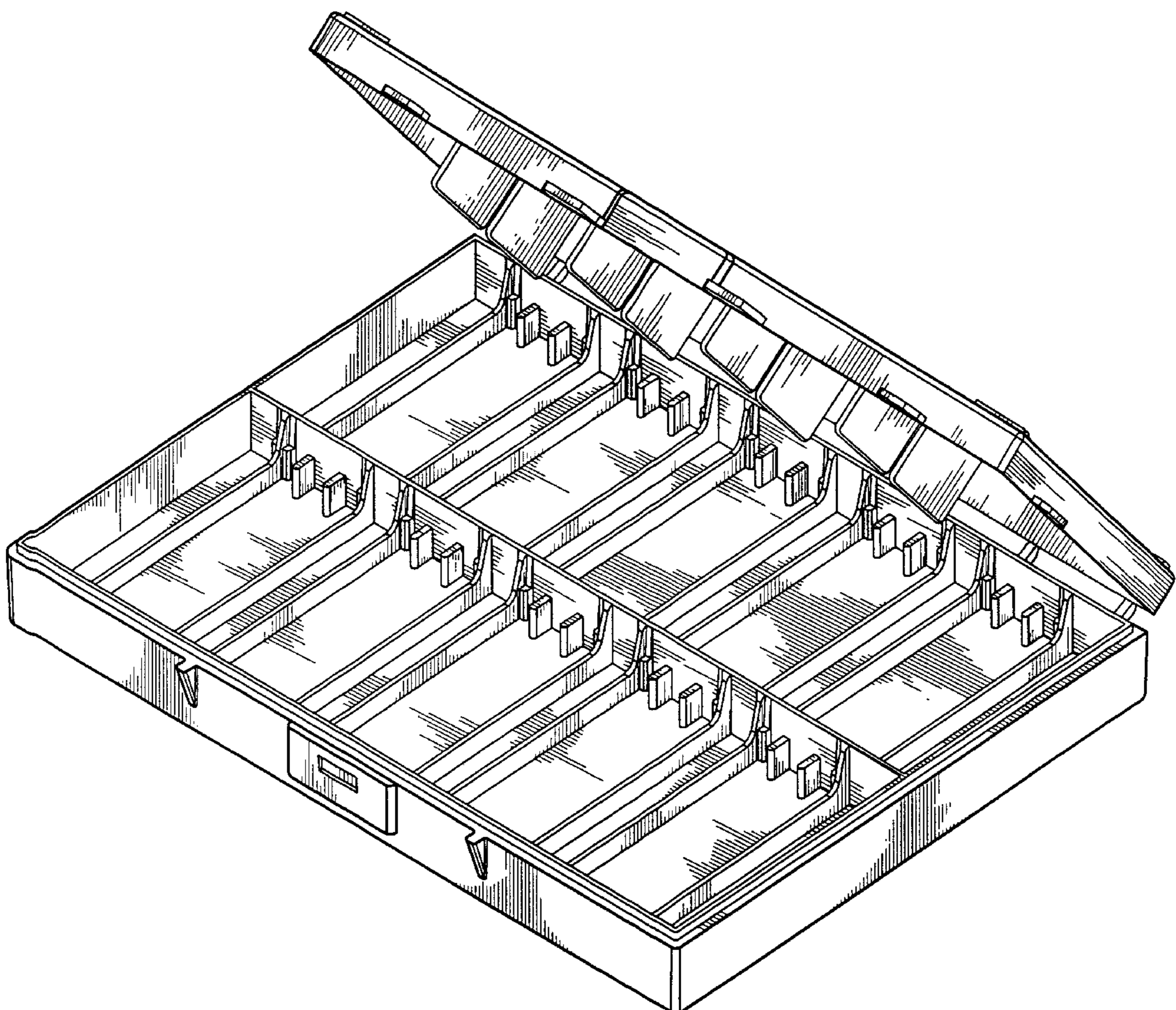
FIG. 1 is a top perspective view of a microscope slide moisture chamber assembly in a closed position showing my new design;

FIG. 2 is a bottom rear perspective view thereof;

FIG. 3 is a front perspective view thereof in an open position; and,

FIG. 4 is an enlarged cross sectional view taken along line 4—4 of FIG. 1.

1 Claim, 3 Drawing Sheets



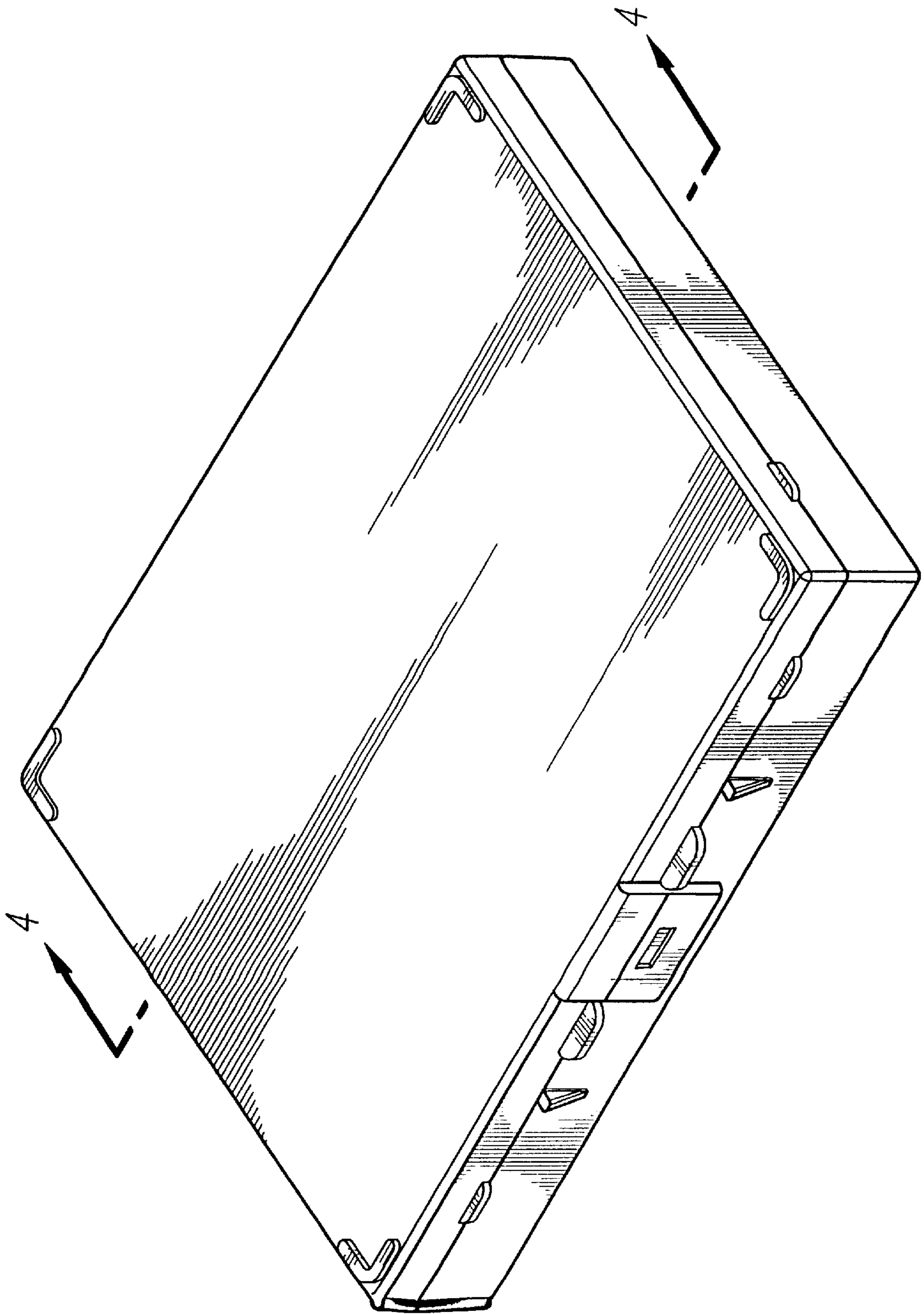
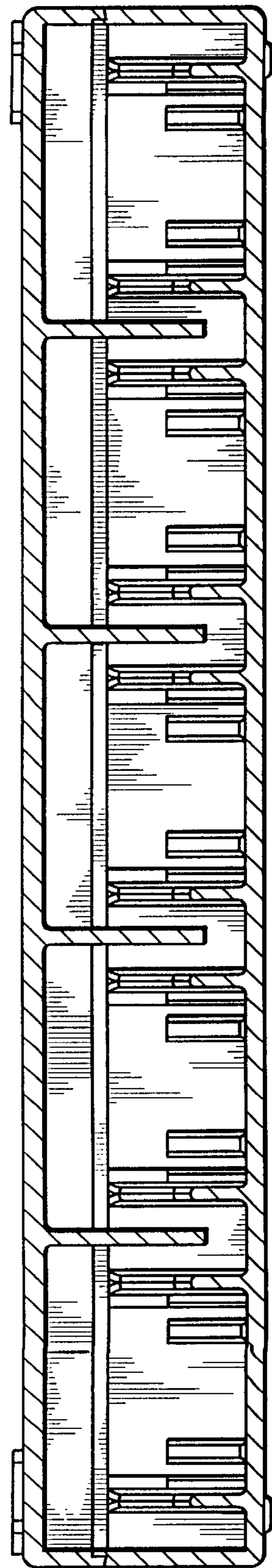
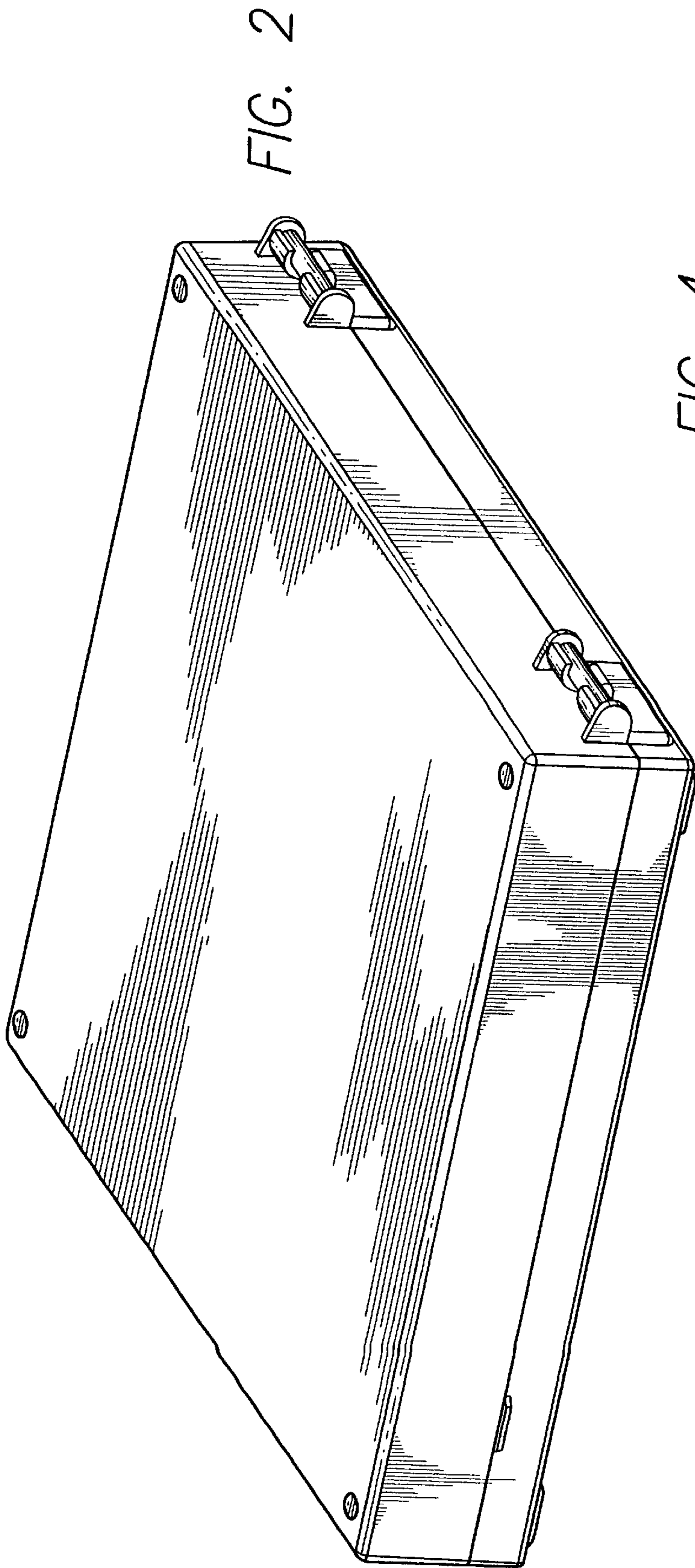


FIG. 1



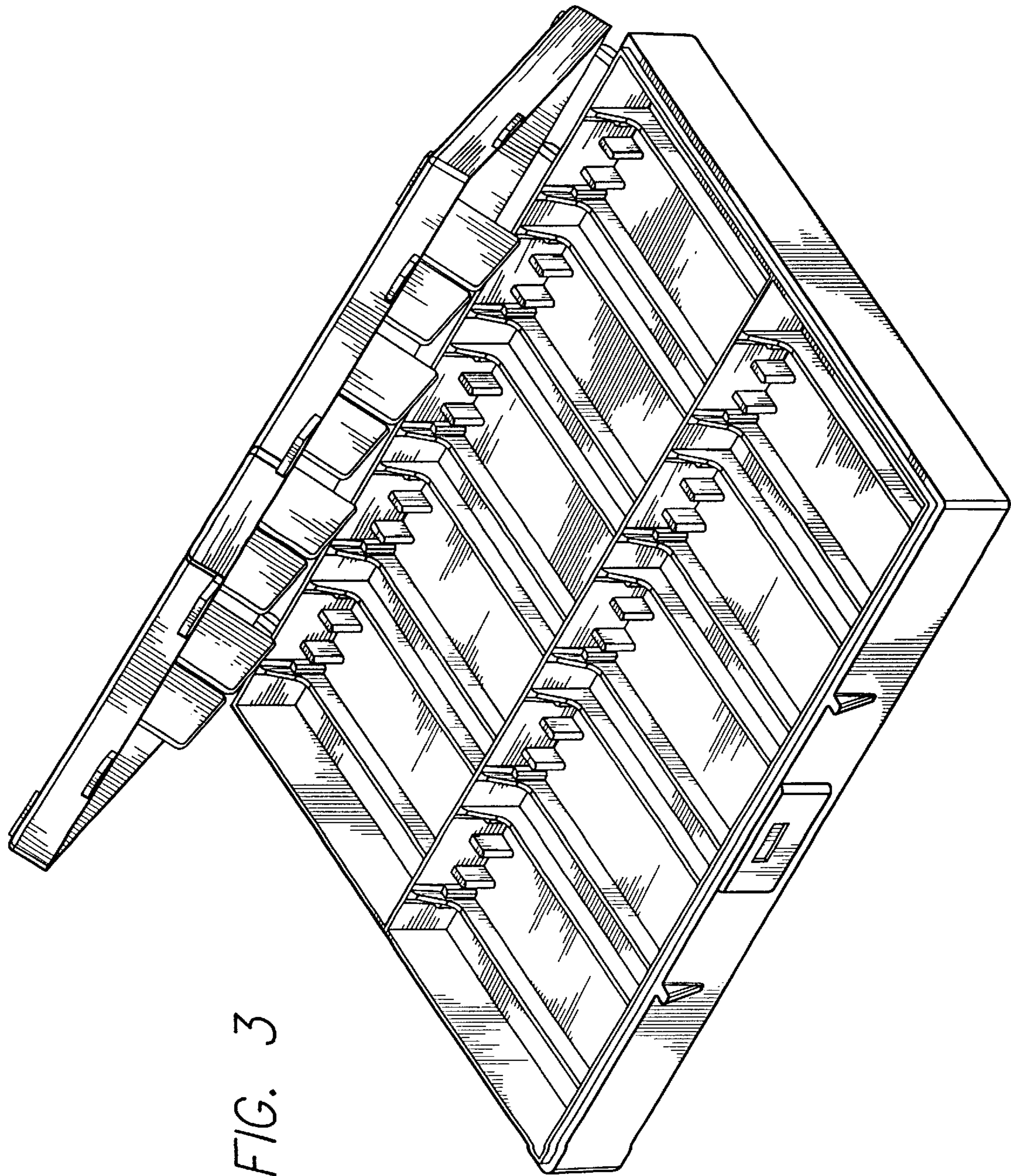


FIG. 3