



US00D440239S

(12) **United States Design Patent**
Welsh et al.

(10) **Patent No.:** **US D440,239 S**

(45) **Date of Patent:** **** Apr. 10, 2001**

(54) **SIDE PANEL FOR A TABLE SAW**

(75) Inventors: **Robert P. Welsh**, Hunt Valley, MD (US); **David E. Duncanson, W.**, Newbury, MA (US); **Mark A. Nichols**, Boston, MA (US); **Scott E. Stropkay**, Carlisle, MA (US)

(73) Assignee: **Black & Decker Inc.**, Newark, DE (US)

(**) Term: **14 Years**

(21) Appl. No.: **29/121,606**

(22) Filed: **Apr. 11, 2000**

Related U.S. Application Data

(62) Division of application No. 29/111,726, filed on Oct. 1, 1999, now Pat. No. Des. 427,214, which is a division of application No. 29/103,366, filed on Apr. 13, 1999, now Pat. No. Des. 422,290.

(51) **LOC (7) Cl.** **15-09**

(52) **U.S. Cl.** **D15/133**

(58) **Field of Search** D15/133, 134;
83/432, 435, 468.7, 468.3, 477, 477.2,
478; 144/287

(56) **References Cited**

U.S. PATENT DOCUMENTS

D. 326,666 * 6/1992 Miyamoto et al. D15/133
D. 377,664 * 1/1997 Jedlicks et al. D15/133
D. 394,071 * 5/1998 Cerroll et al. D15/133
D. 411,090 * 6/1999 Chang D15/13 X

* cited by examiner

Primary Examiner—Antoine Duval Davis

(74) *Attorney, Agent, or Firm*—Adan Ayala

(57) **CLAIM**

The ornamental design for a side panel for a table saw, as shown and described.

DESCRIPTION

FIG. 1 is a front elevational view of a side panel for a table saw of the present invention;

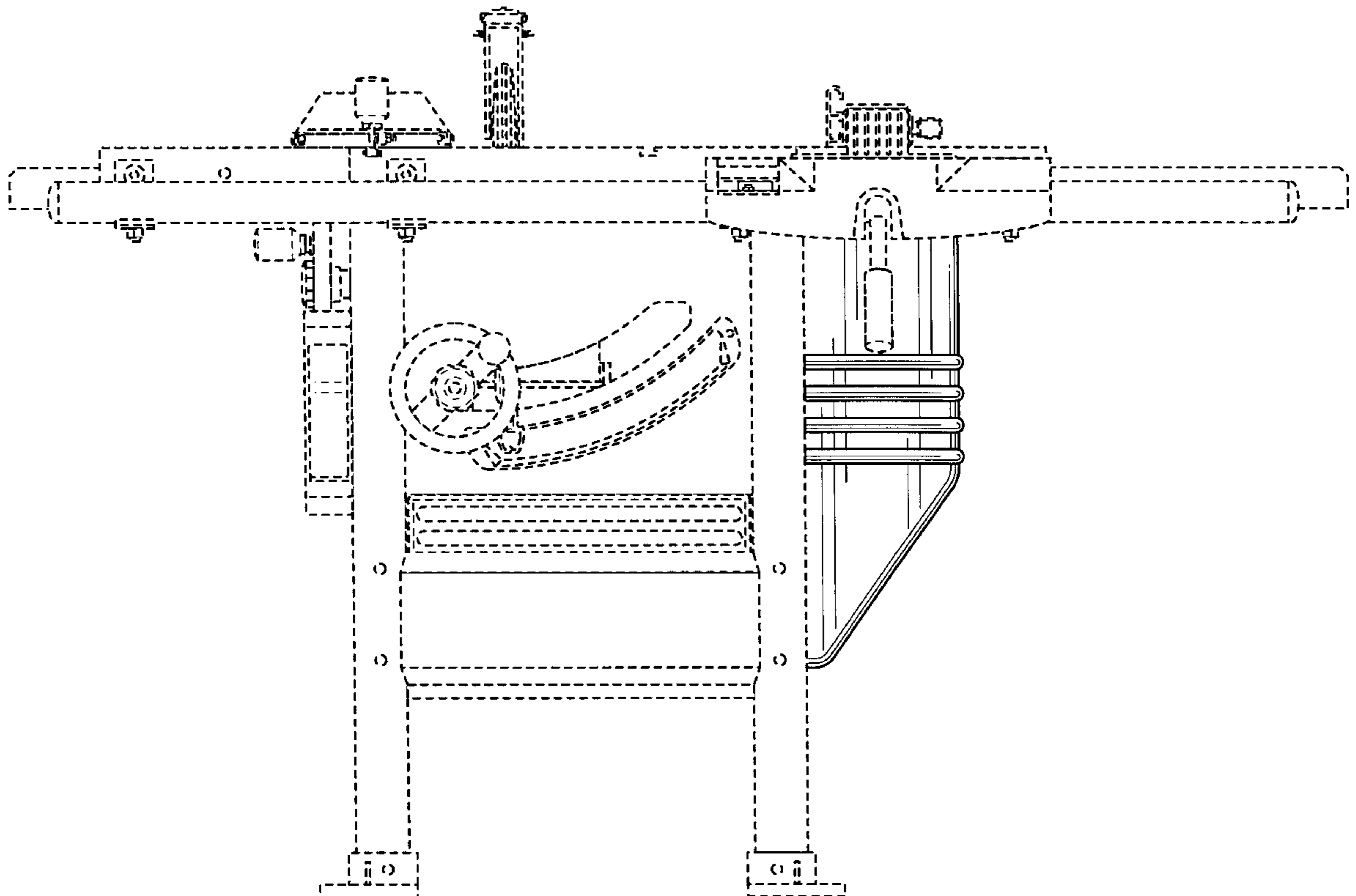
FIG. 2 is a rear elevational view thereof;

FIG. 3 is a right side elevational view thereof; and,

FIG. 4 is a front perspective view thereof.

In the above drawings, any broken line illustration is not part of the design sought to be patented. In addition, any views not shown thereof do not form a part of the invention.

1 Claim, 4 Drawing Sheets



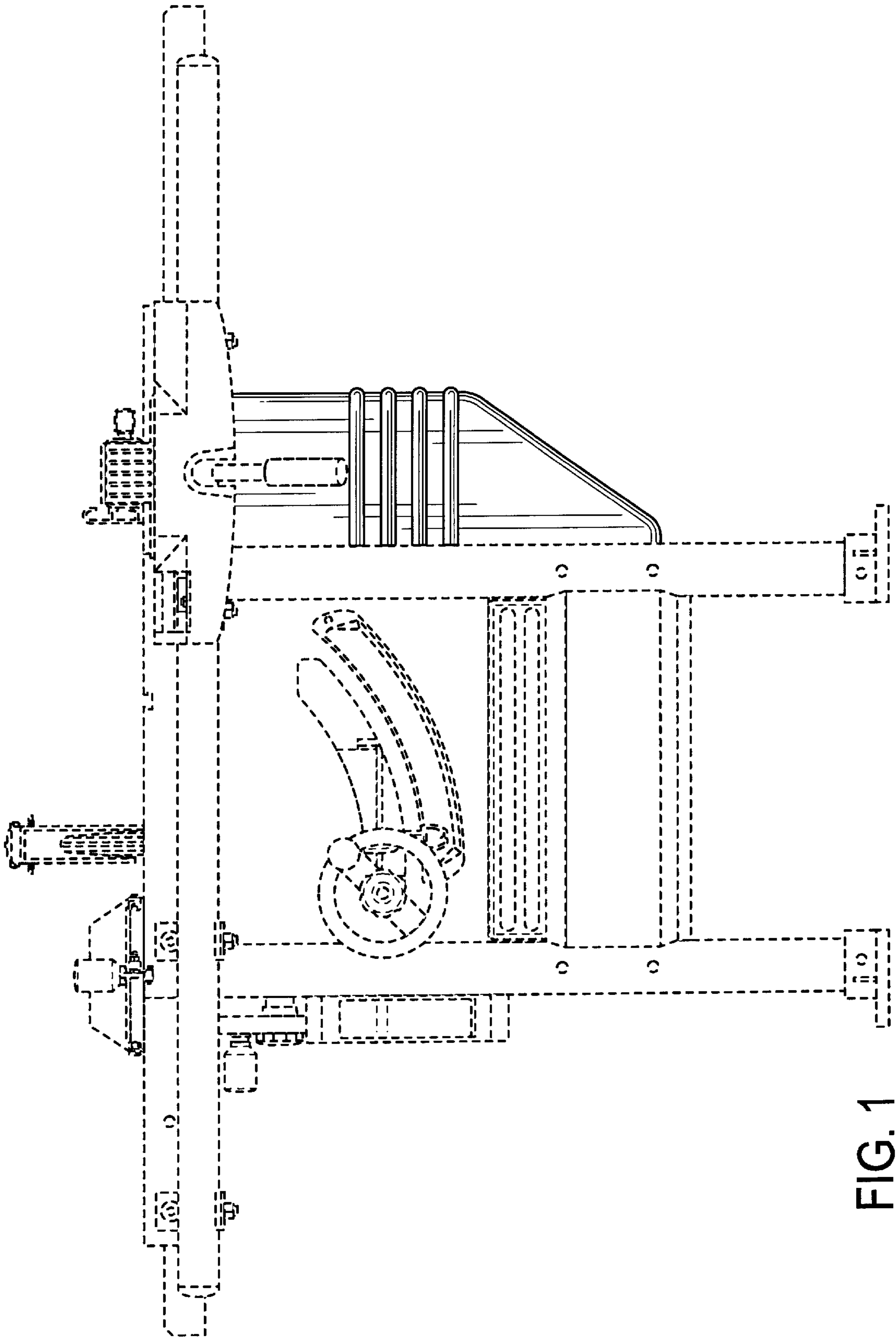


FIG. 1

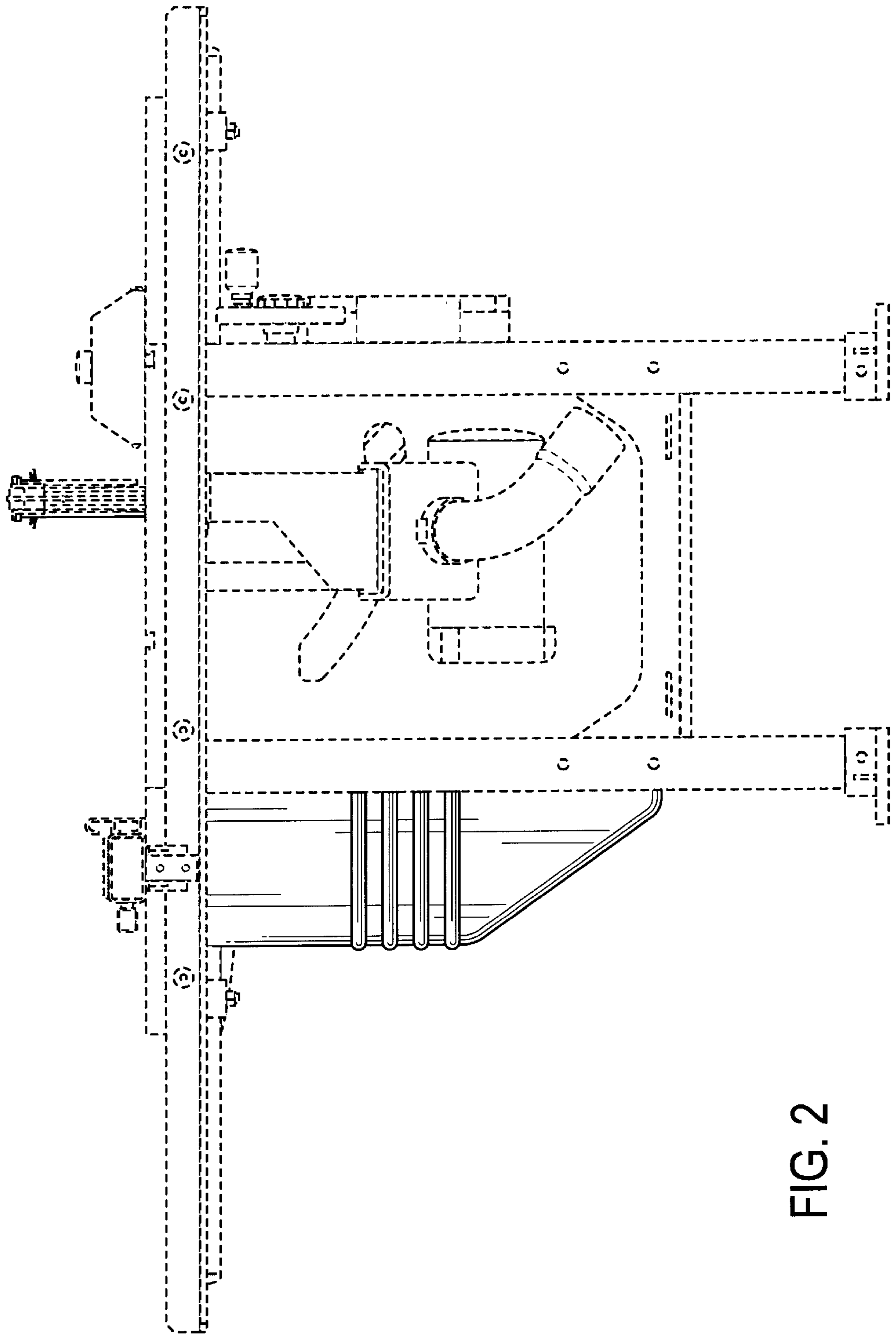


FIG. 2

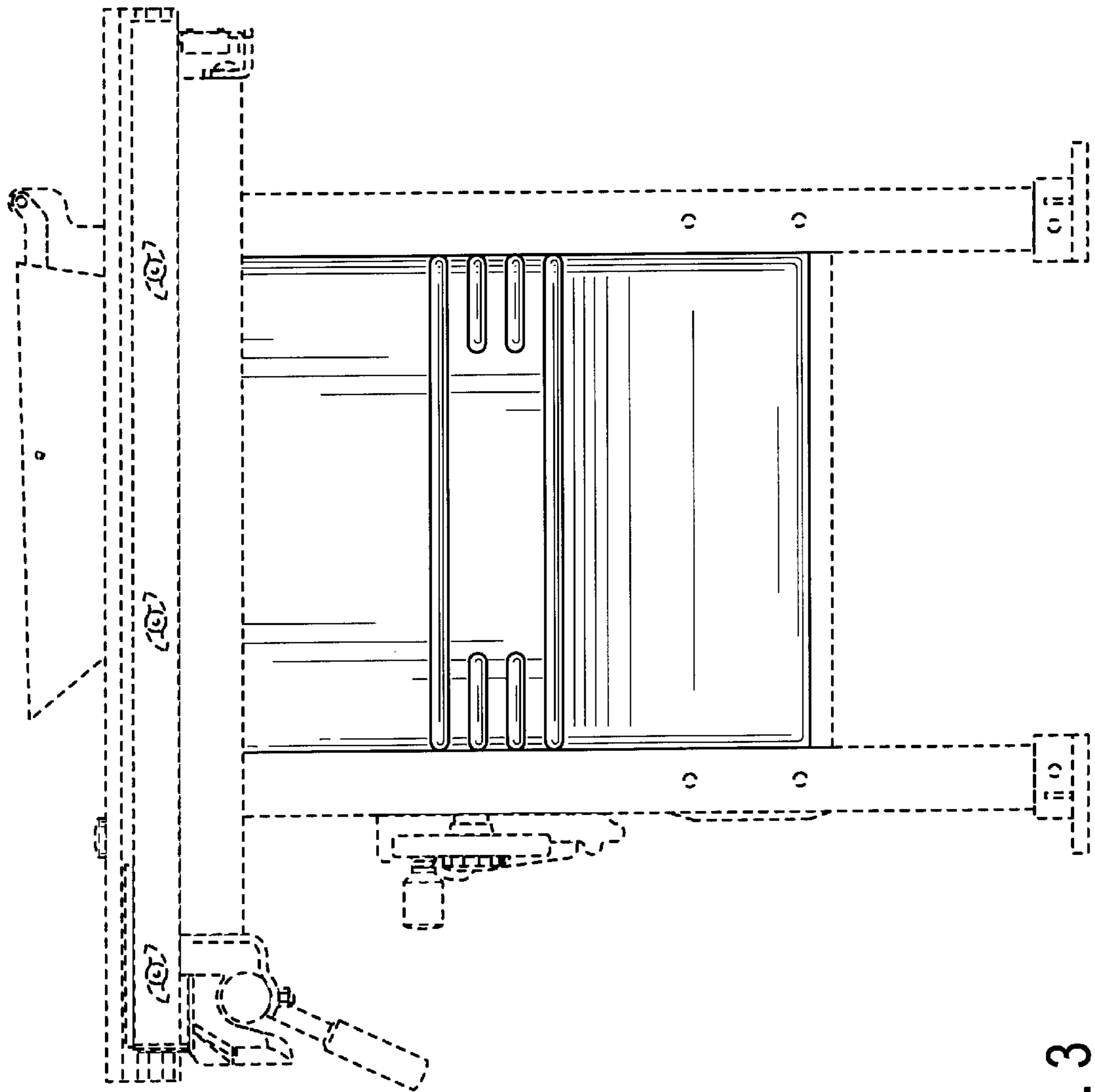


FIG. 3

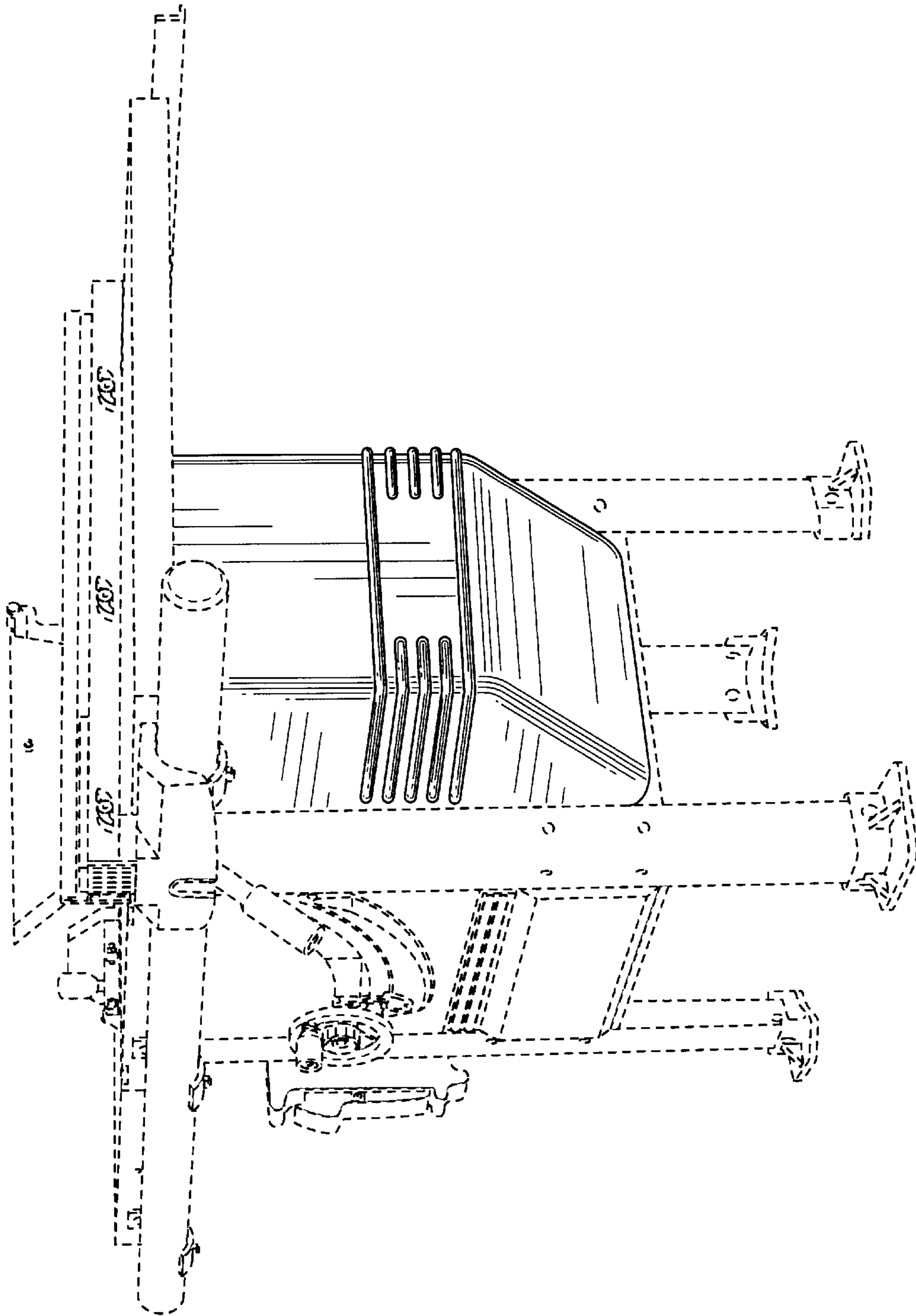


FIG. 4