



US00D440237S

(12) **United States Design Patent**  
**Kuroki**

(10) **Patent No.:** **US D440,237 S**

(45) **Date of Patent:** **\*\* Apr. 10, 2001**

(54) **SEWING MACHINE**

(75) **Inventor:** **Nobufusa Kuroki, Tokyo (JP)**

(73) **Assignee:** **Janome Sewing Machine Company Limited, Tokyo (JP)**

(\*\*) **Term:** **14 Years**

(21) **Appl. No.:** **29/121,503**

(22) **Filed:** **Apr. 10, 2000**

(30) **Foreign Application Priority Data**

Nov. 15, 1999 (JP) ..... 11-31580

(51) **LOC (7) Cl.** ..... **15-06**

(52) **U.S. Cl.** ..... **D15/69**

(58) **Field of Search** ..... D15/66-72; 112/217.1-217.4,  
112/256-261

(56) **References Cited**

**U.S. PATENT DOCUMENTS**

D. 288,690 \* 3/1987 Uchida et al. .... D15/69

D. 314,390 \* 2/1991 Kuroki ..... D15/68

D. 323,832 \* 2/1992 Eguchi et al. .... D15/69

D. 359,053 \* 6/1995 Gustafsson ..... D15/70

4,099,474 \* 7/1978 Hamlett et al. .... 112/258

\* cited by examiner

*Primary Examiner*—Sandra L. Morris

(74) *Attorney, Agent, or Firm*—Jacobson, Price, Holman & Stern, PLLC

(57) **CLAIM**

The ornamental design for a sewing machine, as shown and described.

**DESCRIPTION**

FIG. 1 is a front view showing my new design for a sewing machine;

FIG. 2 is a rear view thereof;

FIG. 3 is a top plan view thereof;

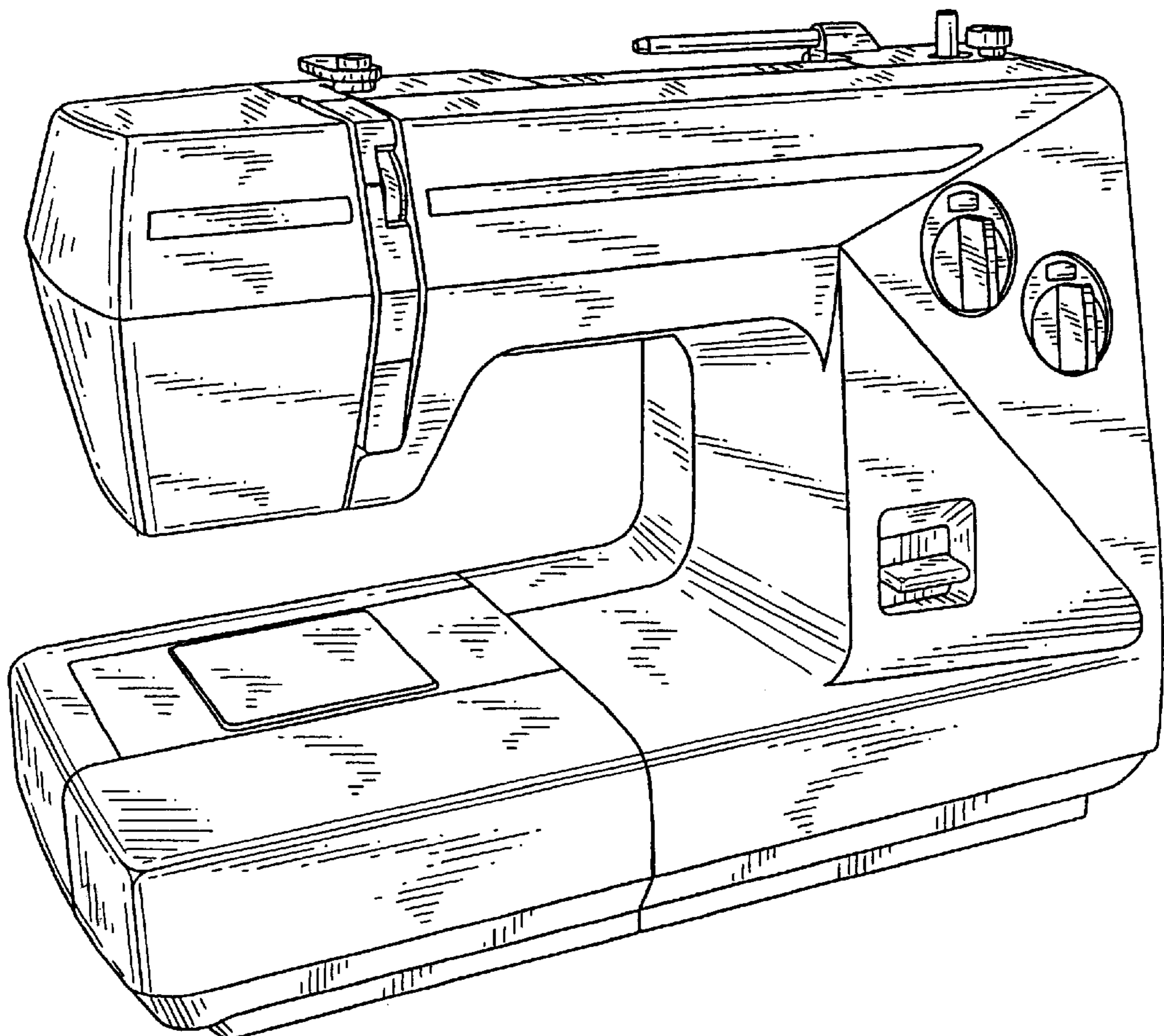
FIG. 4 is a bottom view thereof;

FIG. 5 is a left side view thereof;

FIG. 6 is a right side view thereof; and,

FIG. 7 is a perspective view thereof.

**1 Claim, 7 Drawing Sheets**



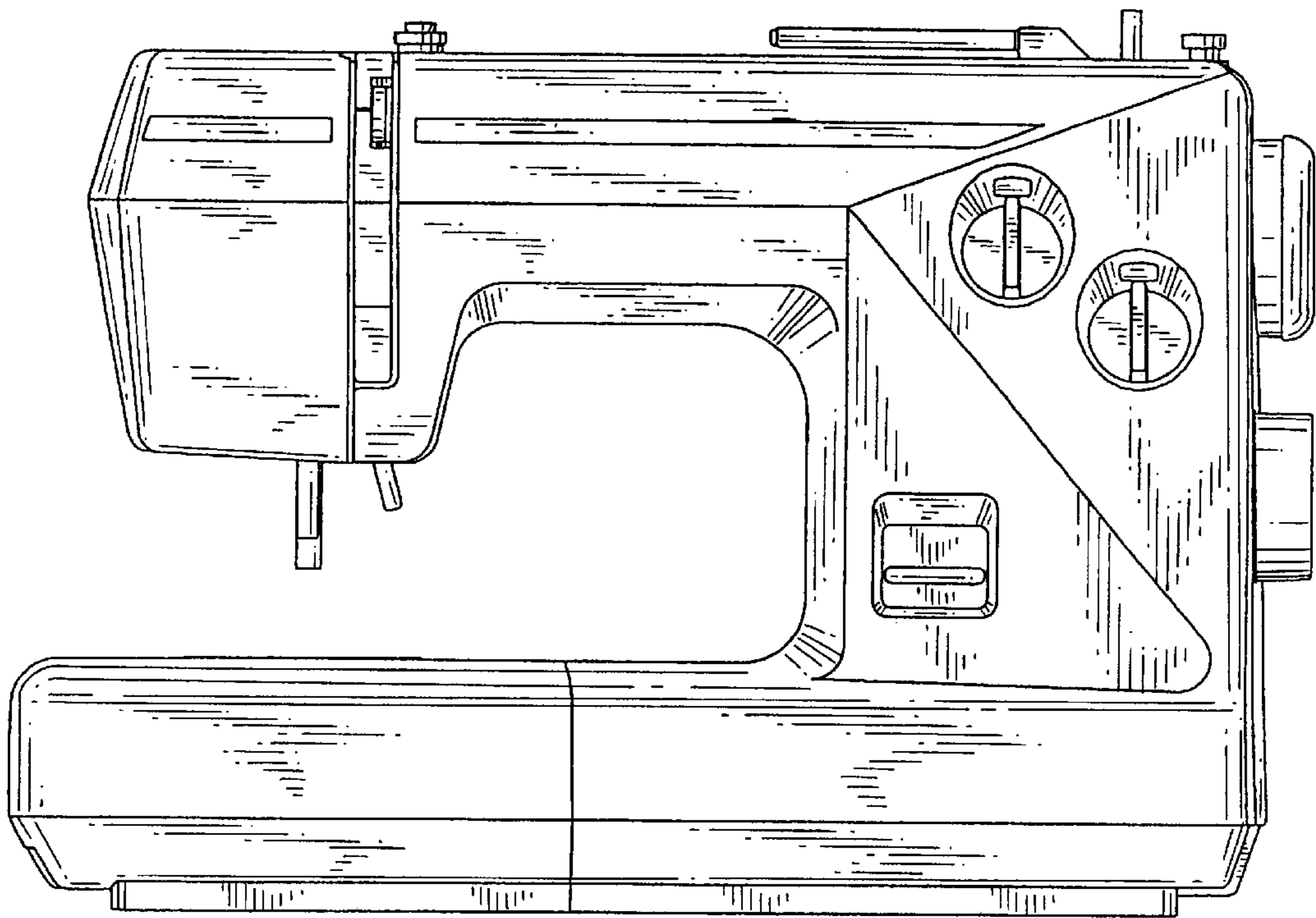


FIG. 1

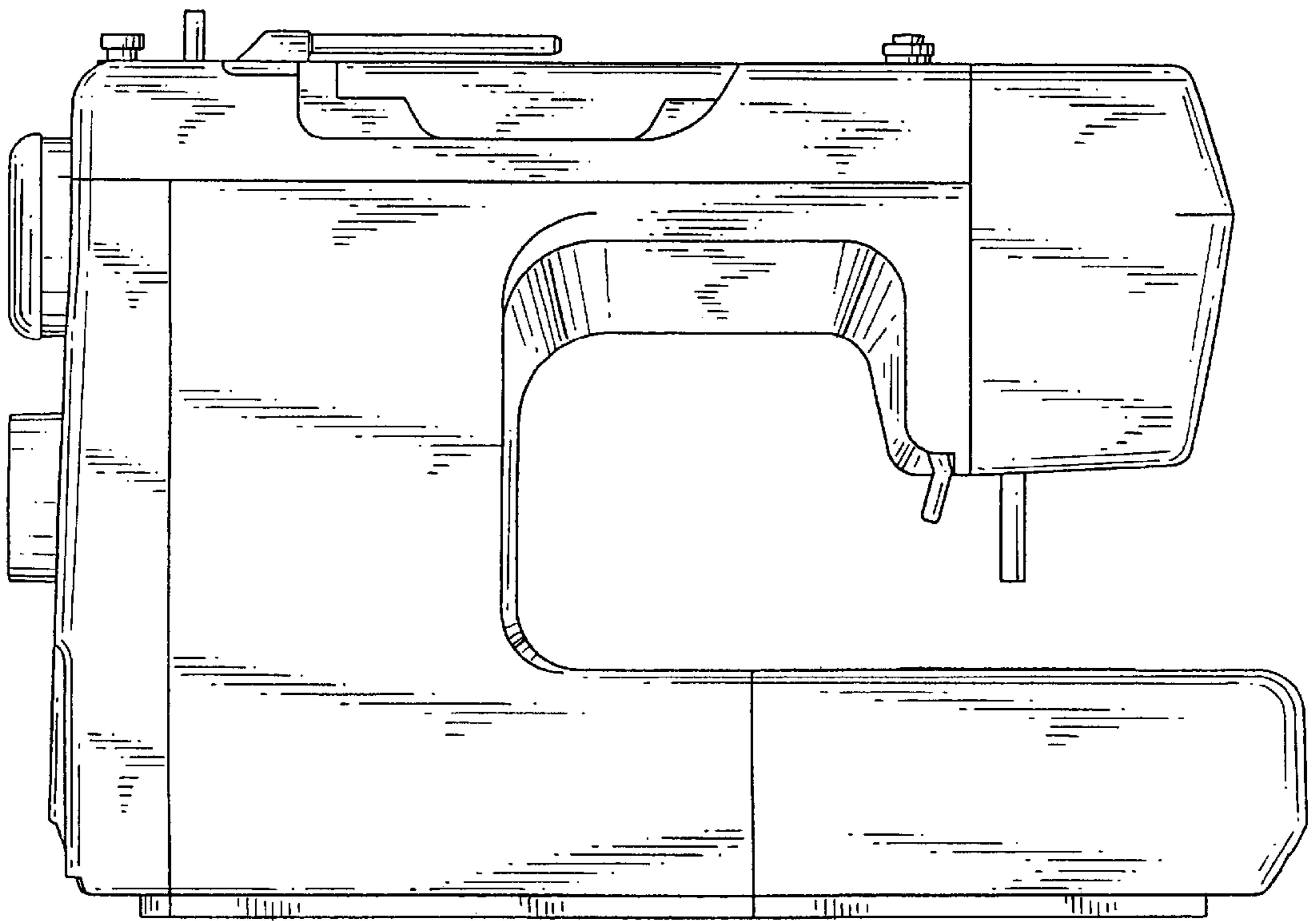


FIG. 2

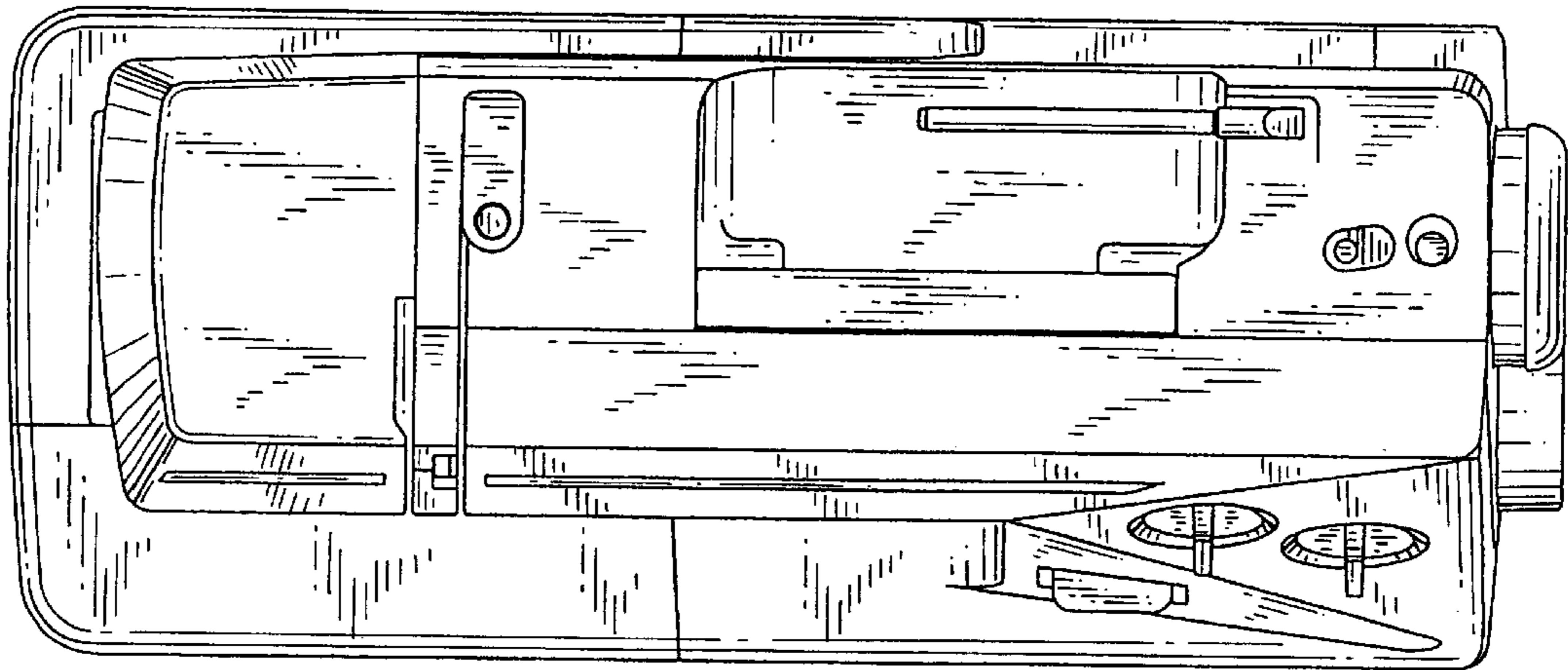


FIG. 3

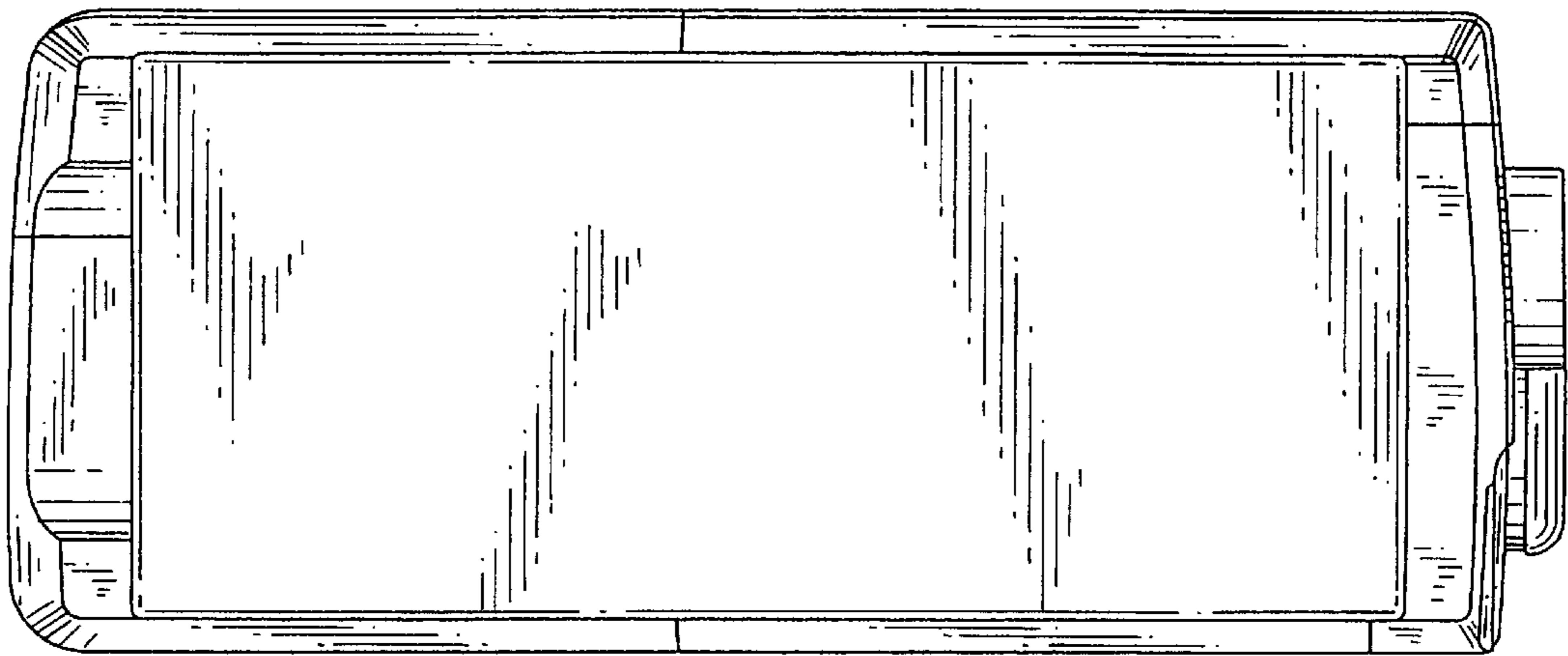
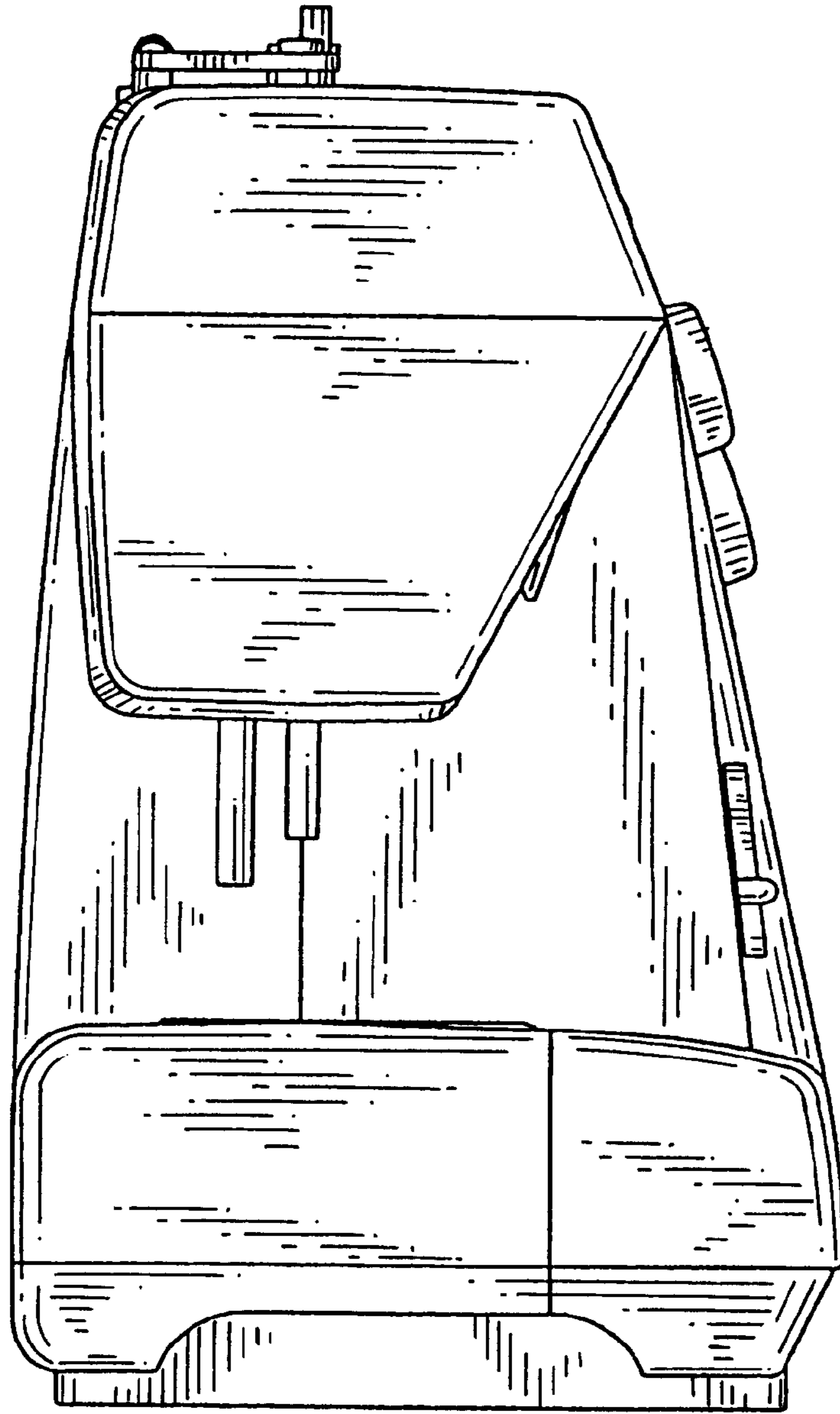


FIG. 4



*FIG. 5*

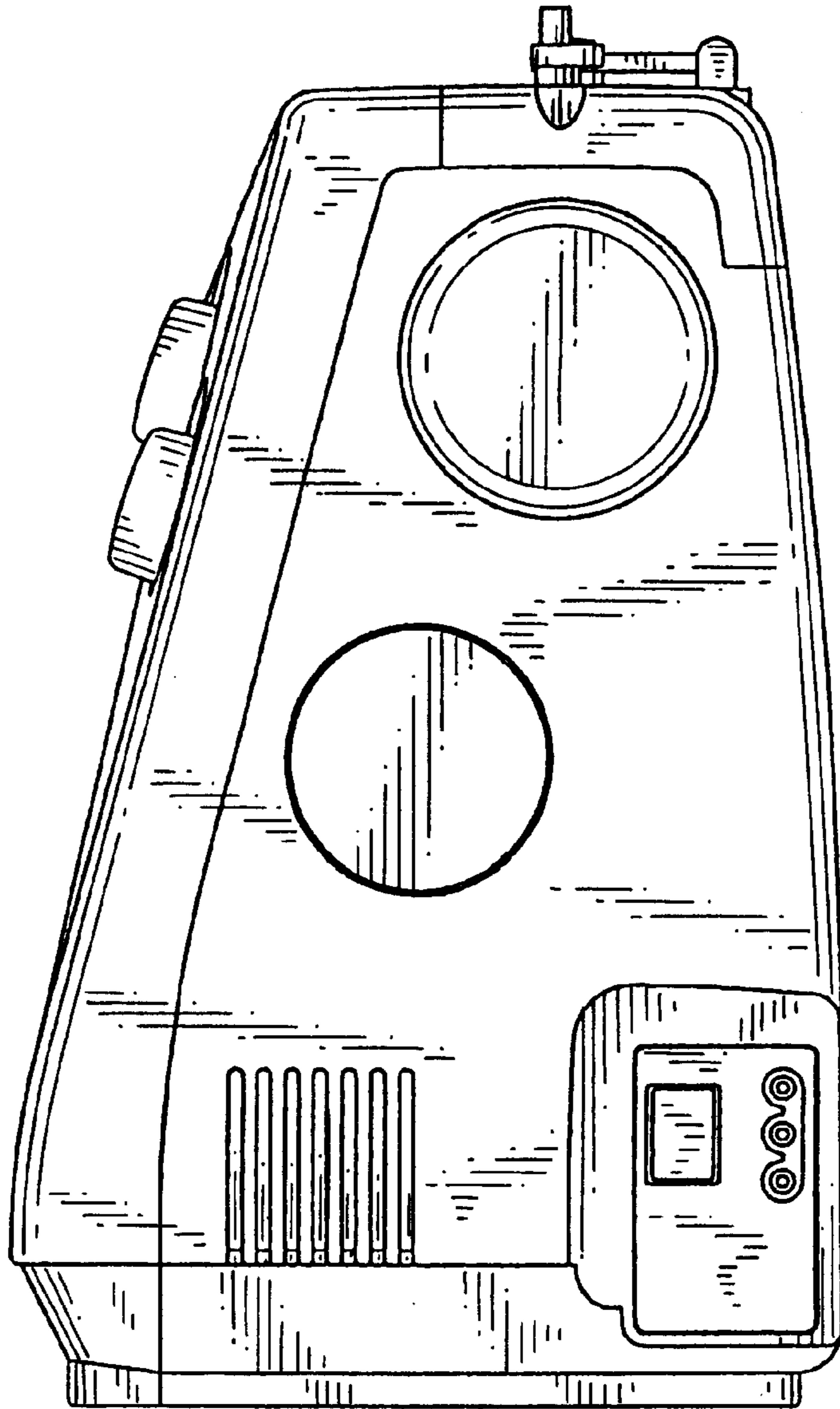


FIG. 6

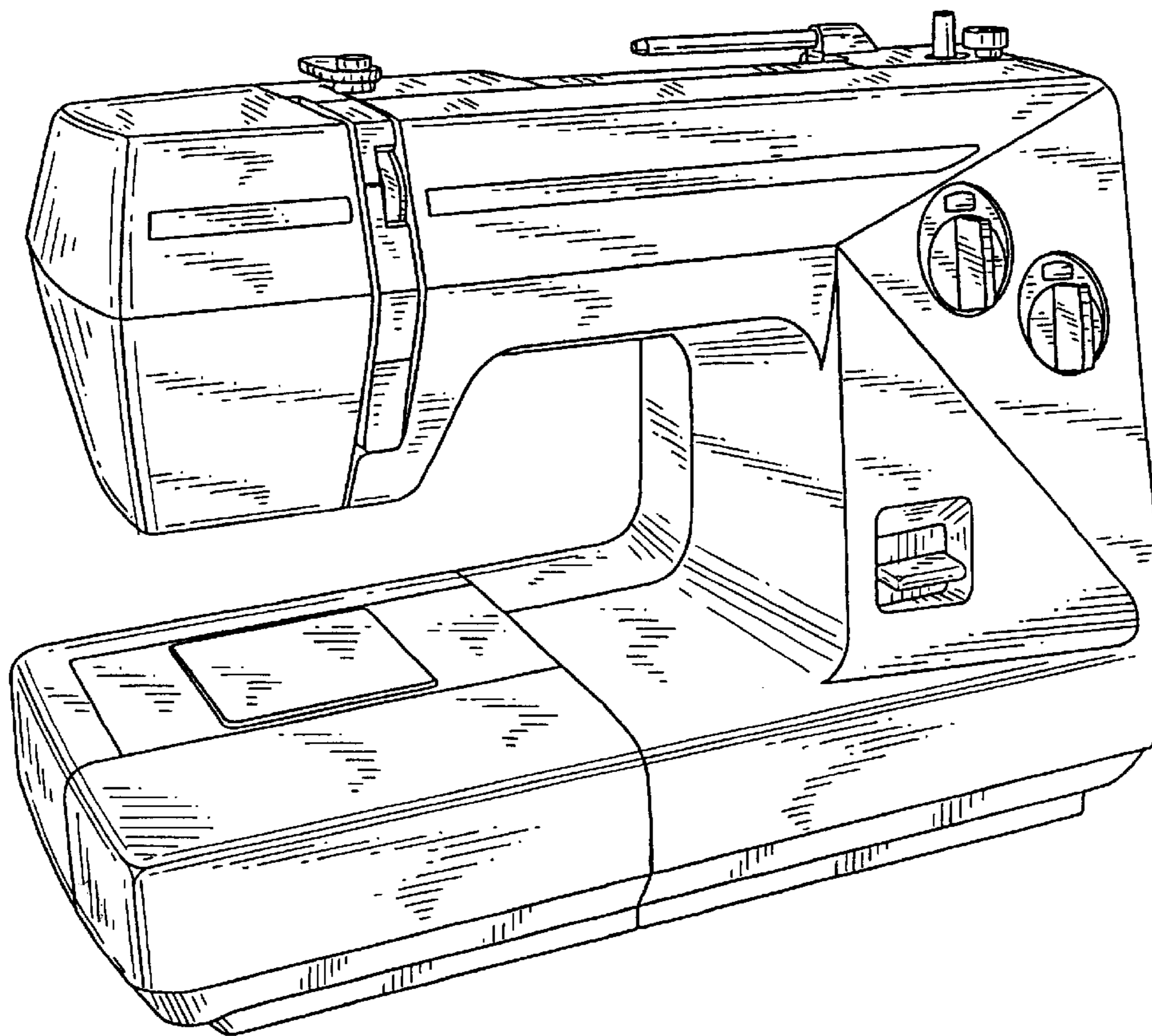


FIG. 7