



US00D440235S

(12) **United States Design Patent**  
**Kuwae et al.**

(10) **Patent No.:** **US D440,235 S**

(45) **Date of Patent:** **\*\* Apr. 10, 2001**

(54) **BACKHOE**

(75) Inventors: **Junta Kuwae; Fumiki Sato**, both of Sakai; **Toshihiko Takemura**, Izumi; **Yasuo Nakata; Takeshi Kajimoto**, both of Osaka, all of (JP)

(73) Assignee: **Kubota Corporation (JP)**

(\*\*) Term: **14 Years**

(21) Appl. No.: **29/110,776**

(22) Filed: **Sep. 13, 1999**

(51) **LOC (7) Cl.** ..... **15-04**

(52) **U.S. Cl.** ..... **D15/25**

(58) **Field of Search** ..... D15/10, 22-26;  
37/403, 410, 411, 443; 180/326, 89.13;  
414/685, 686, 688, 722-724

(56) **References Cited**

**U.S. PATENT DOCUMENTS**

D. 309,313	*	7/1990	Takashima et al.	.....	D15/25
D. 312,468	*	11/1990	Masumoto et al.	.....	D15/25
D. 354,497	*	1/1995	Kusunoki et al.	.....	D15/25
D. 387,360	*	12/1997	Ishizaki et al.	.....	D15/25
4,541,161	*	9/1985	Shimoie	.....	37/443
4,552,503	*	11/1985	Mouri et al.	.....	414/685
4,771,855	*	9/1988	Takashima et al.	.....	180/326
5,711,095	*	1/1998	Oda et al.	.....	37/410

\* cited by examiner

*Primary Examiner*—Sandra L. Morris

(74) *Attorney, Agent, or Firm*—Webb Ziesenheim Logsdon Orkin & Hanson, P.C.

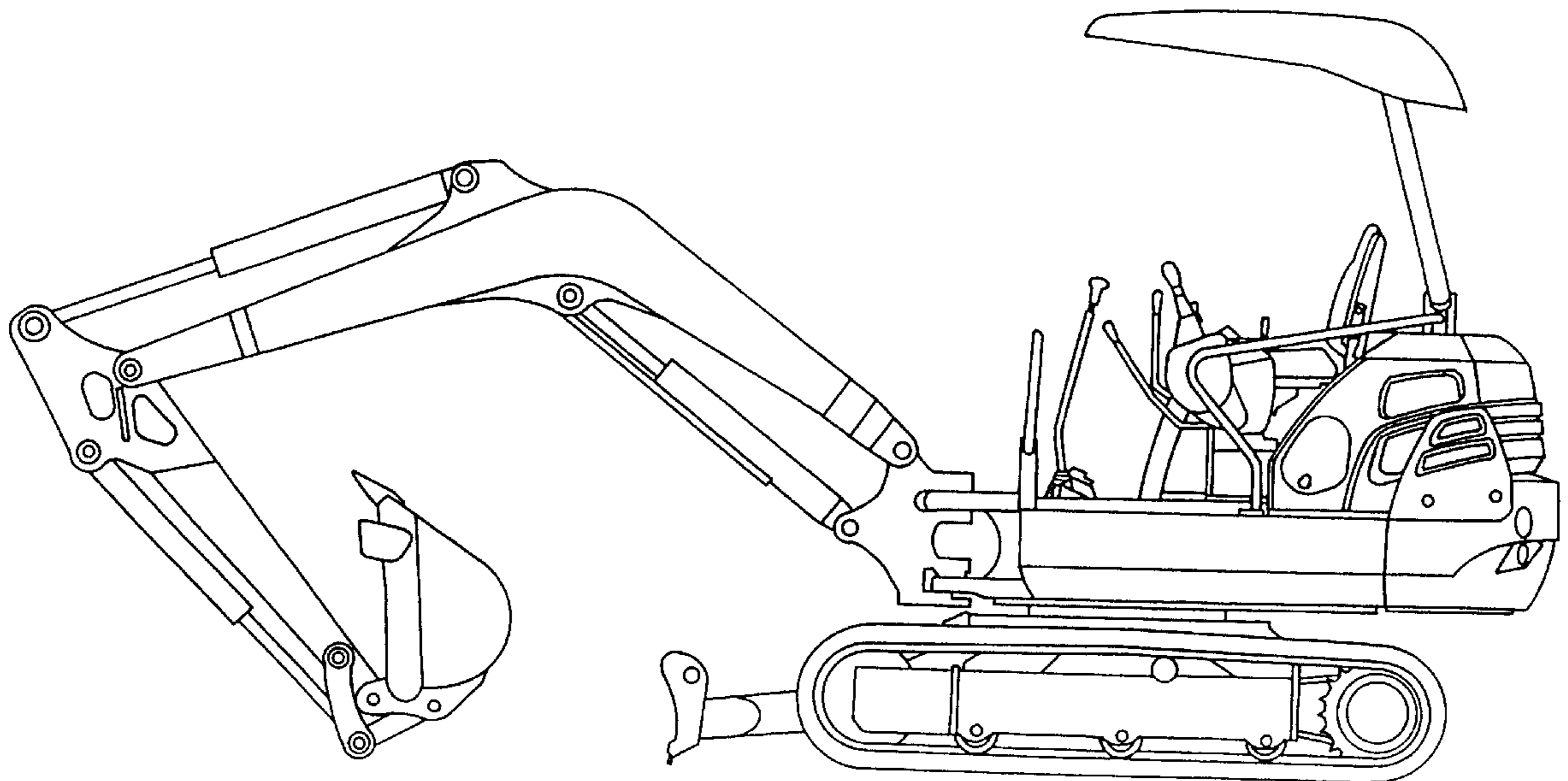
(57) **CLAIM**

The ornamental design of a backhoe, as shown and described.

**DESCRIPTION**

FIG. 1 is a Front View of our backhoe;  
 FIG. 2 is a Rear View thereof;  
 FIG. 3 is a Right Side View thereof;  
 FIG. 4 is a Left Side View thereof;  
 FIG. 5 is a Top Plan View thereof;  
 FIG. 6 is a Bottom View thereof;  
 FIG. 7 is a Front View of our backhoe according to a second embodiment of our ornamental design;  
 FIG. 8 is a Rear View of the second embodiment;  
 FIG. 9 is a Right Side View of the second embodiment;  
 FIG. 10 is a Left Side View of the second embodiment;  
 FIG. 11 is a Top Plan View of the second embodiment;  
 FIG. 12 is a Bottom View of the second embodiment;  
 FIG. 13 is a Front View of our backhoe according to a third embodiment of our ornamental design;  
 FIG. 14 is a Rear View of the third embodiment;  
 FIG. 15 is a Right Side View of the third embodiment;  
 FIG. 16 is a Left Side View of the third embodiment;  
 FIG. 17 is a Top Plan View of the third embodiment; and,  
 FIG. 18 is a Bottom View of the third embodiment.

**1 Claim, 18 Drawing Sheets**



# FIG. 1

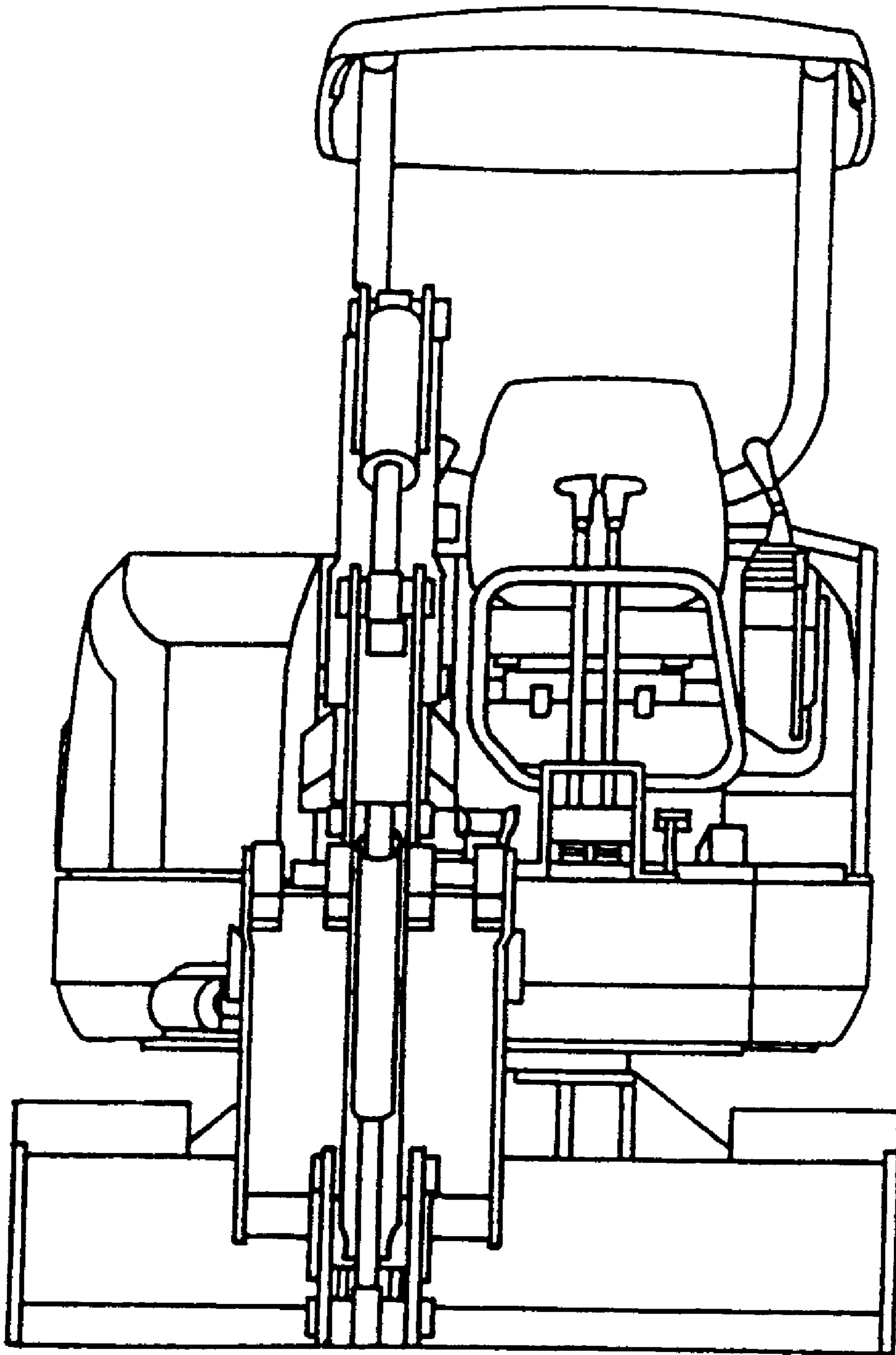


FIG. 2

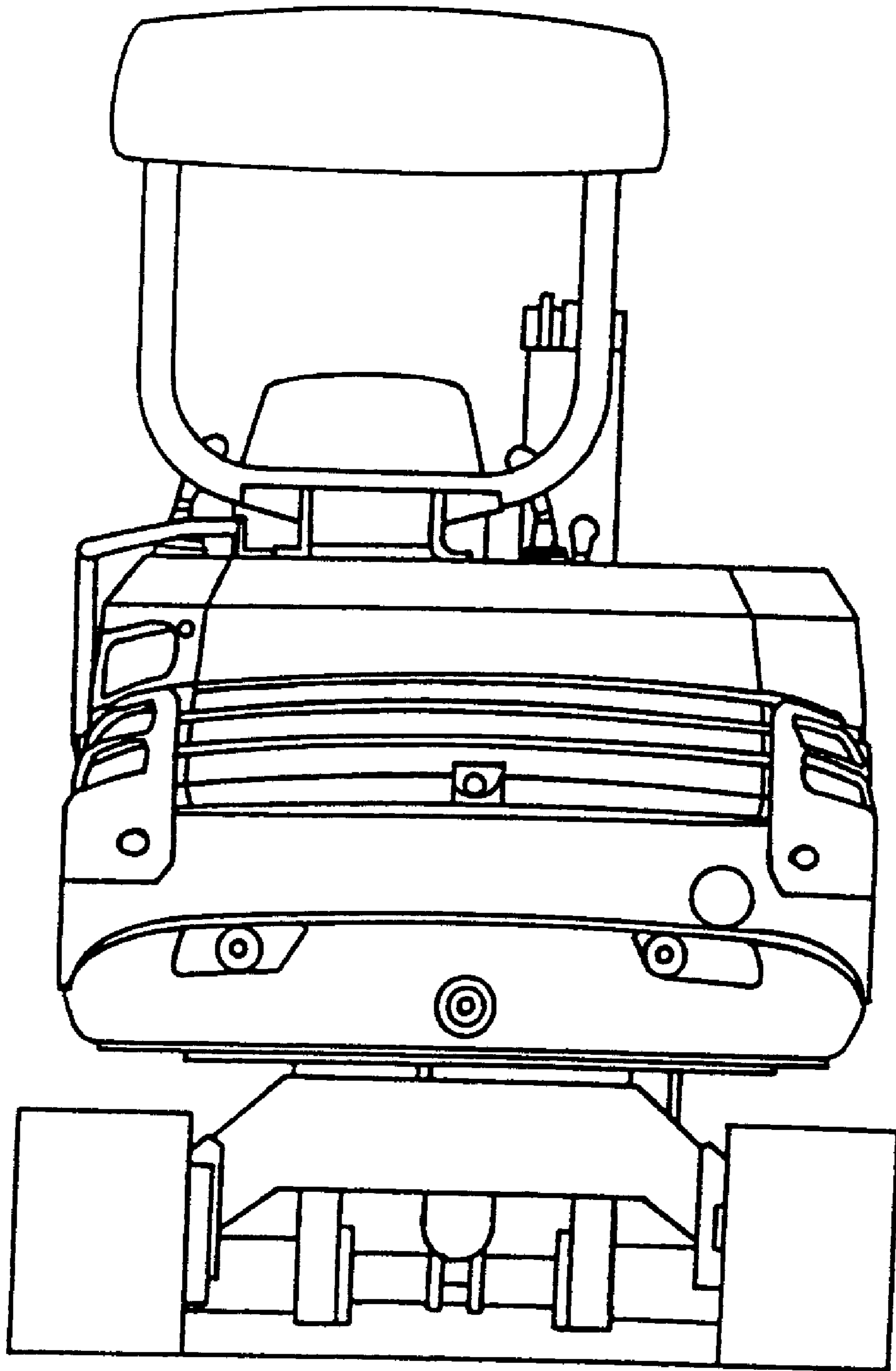


FIG. 3

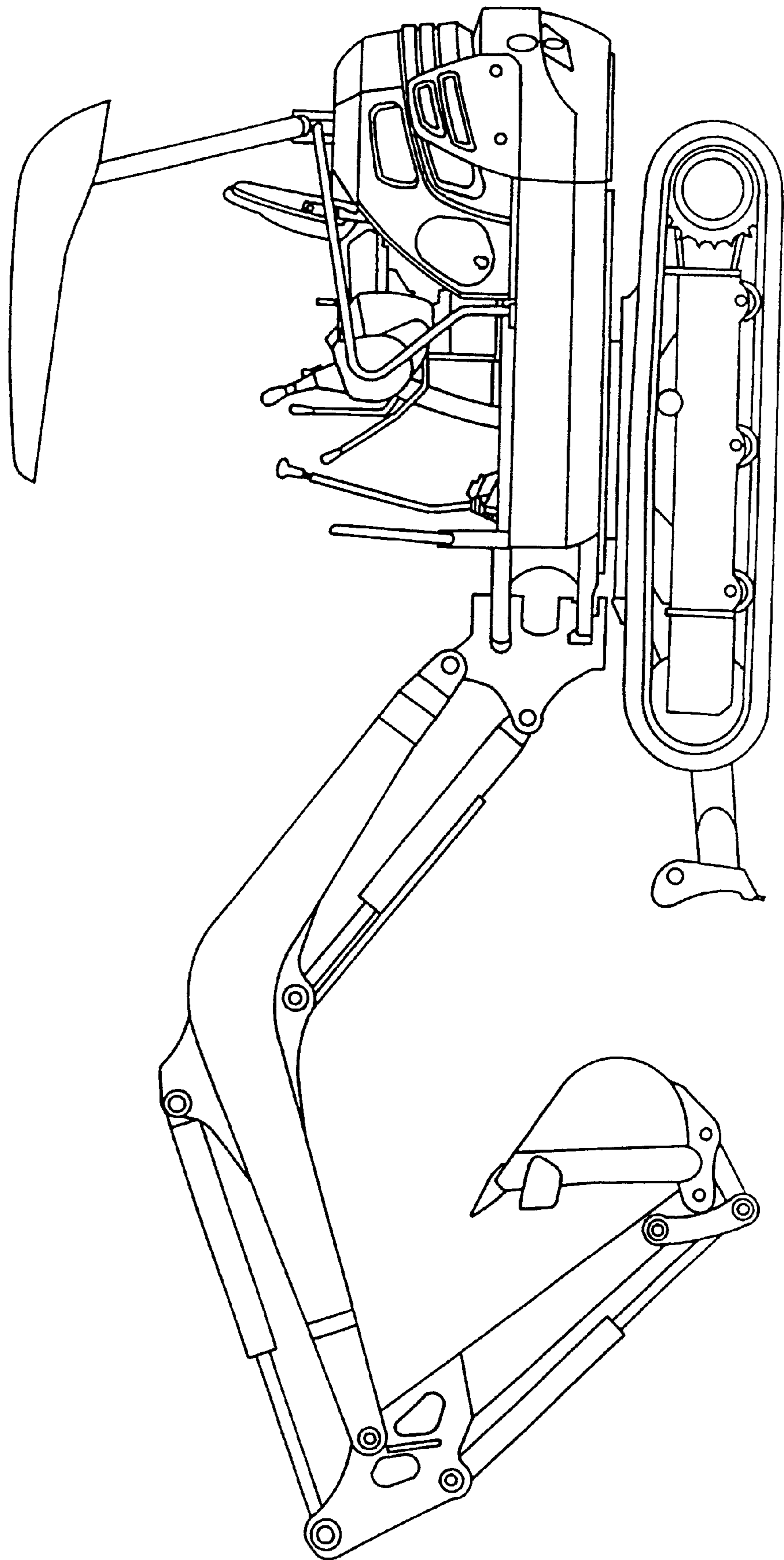




FIG. 4

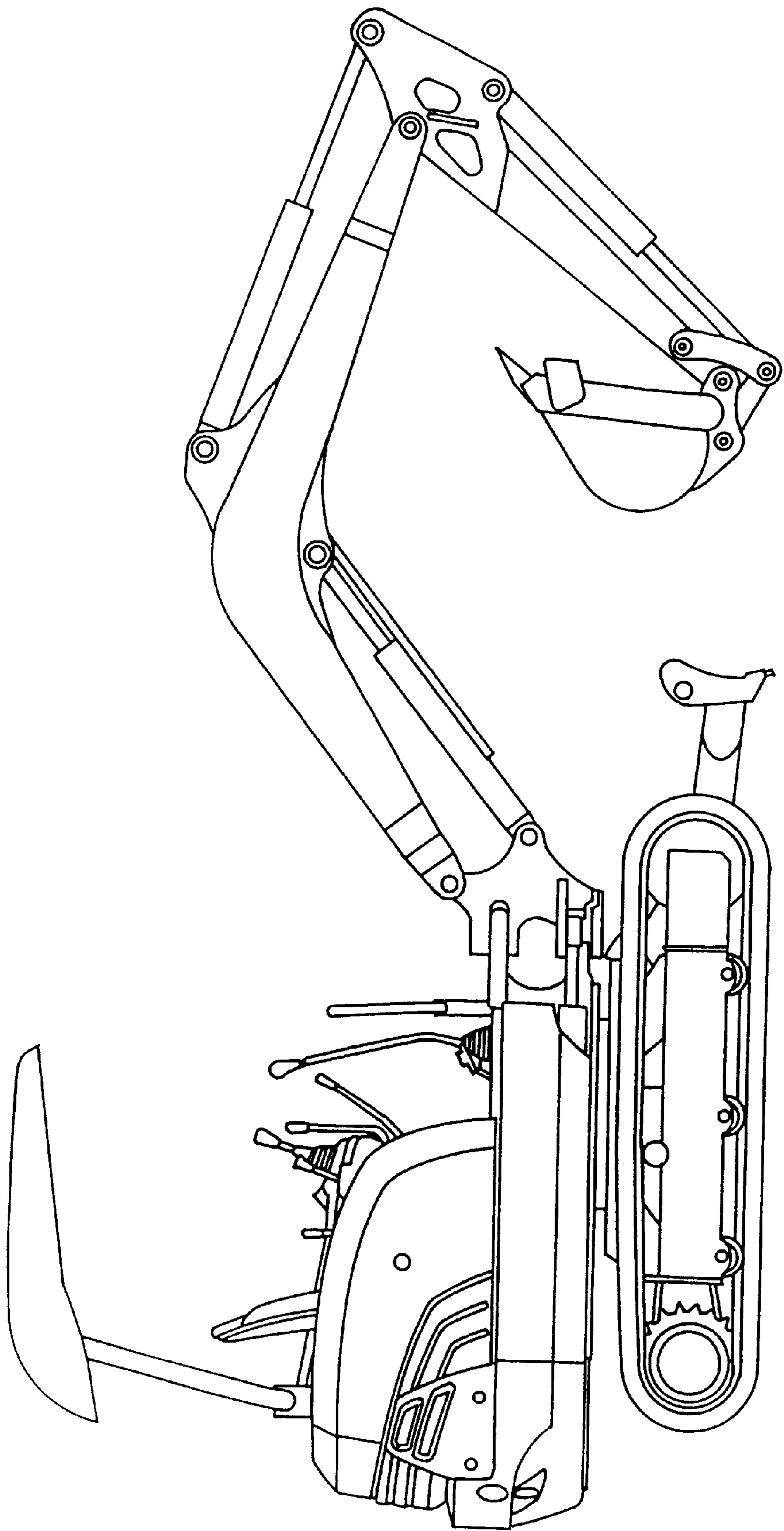
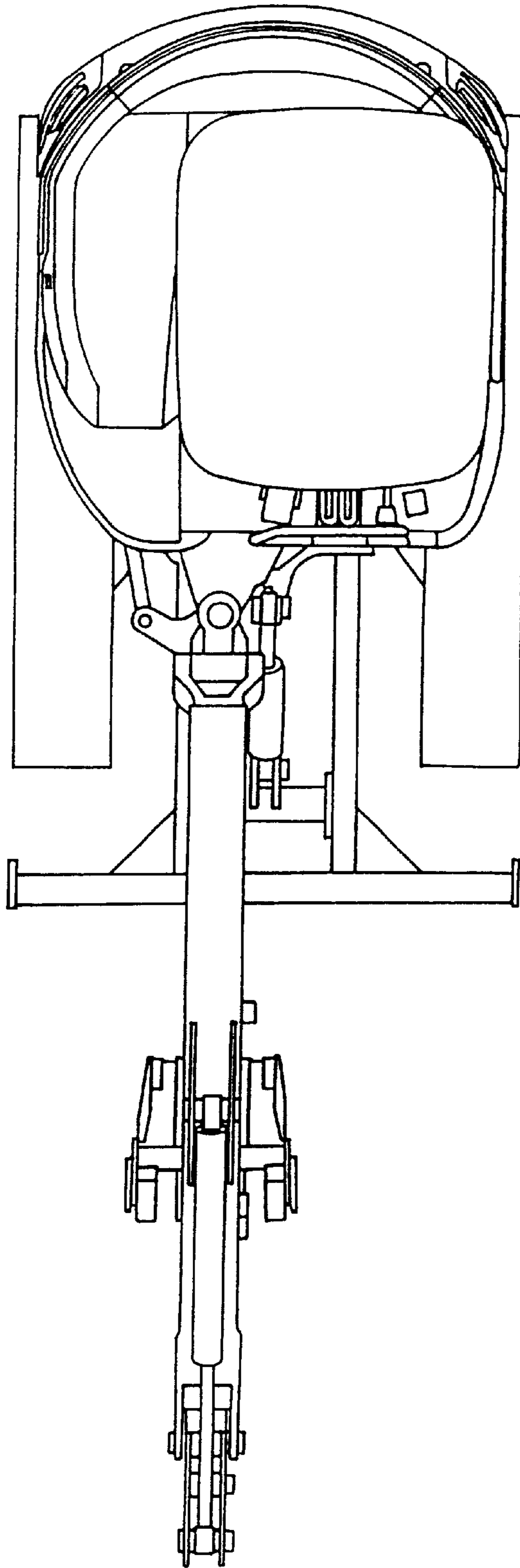


FIG. 5



F I G . 6

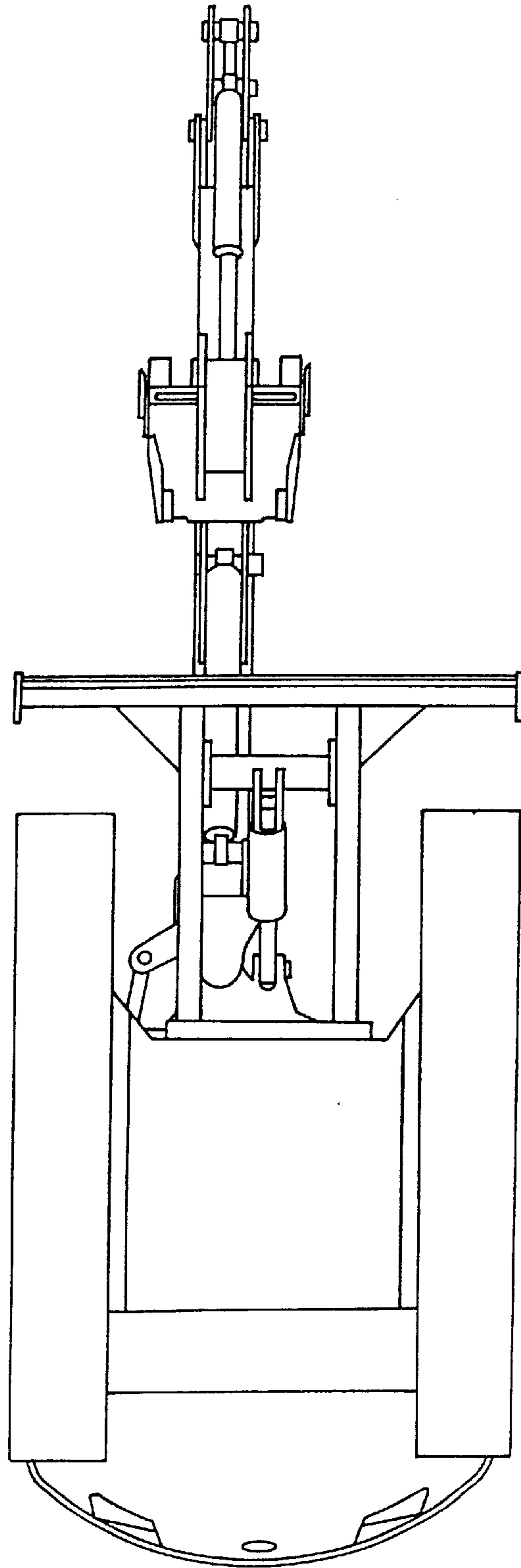


FIG. 7

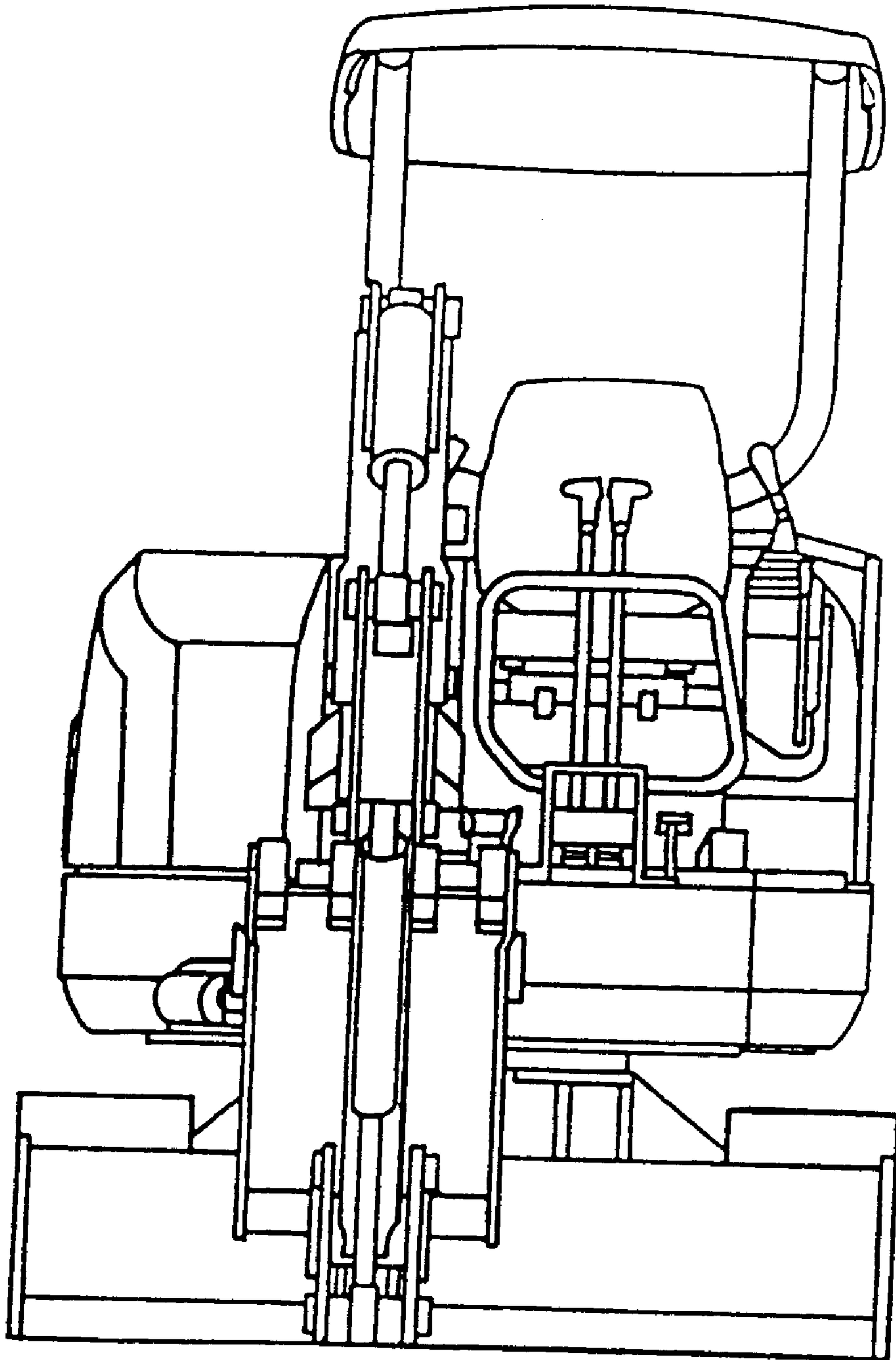




FIG. 8

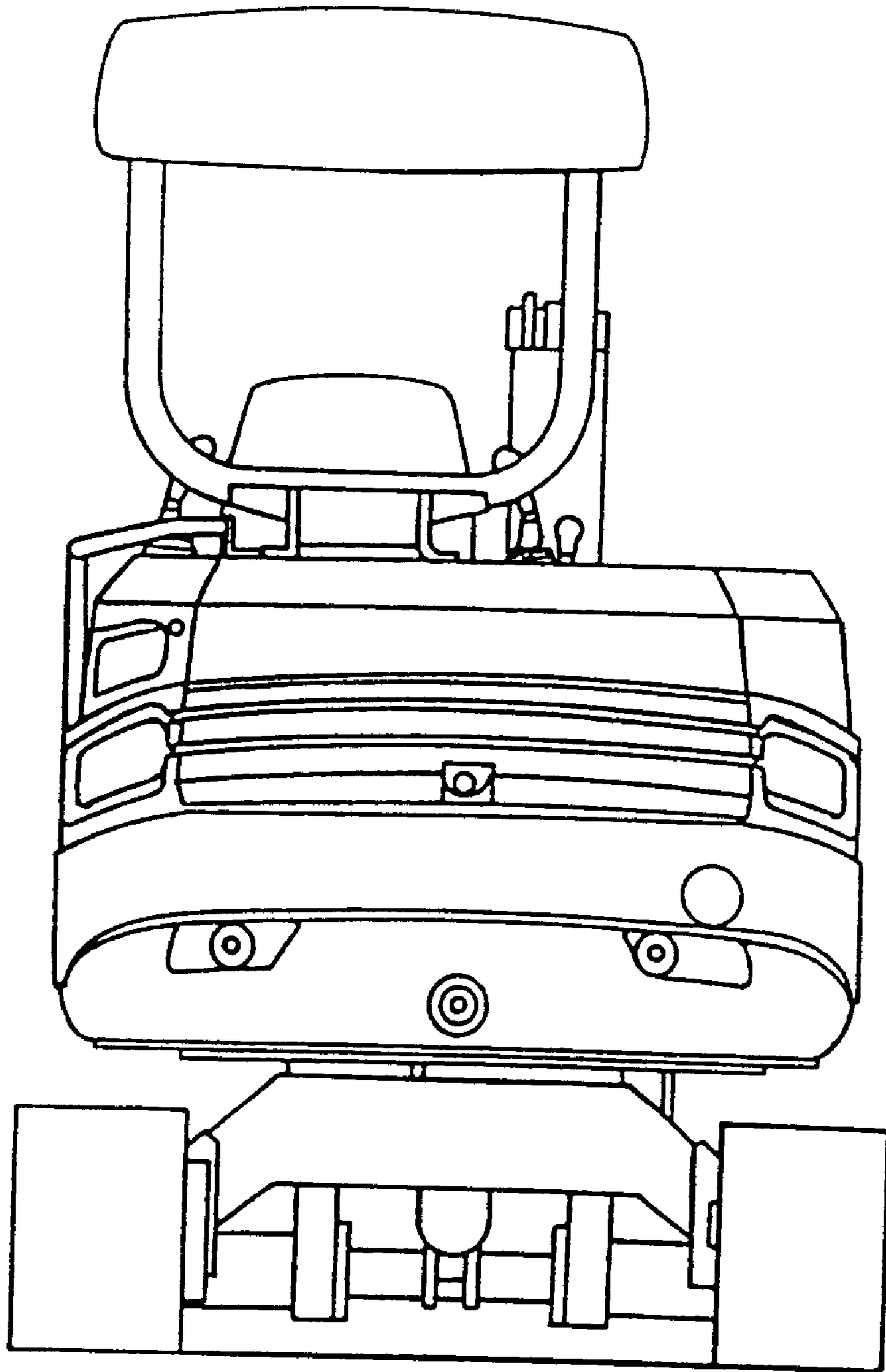


FIG. 9

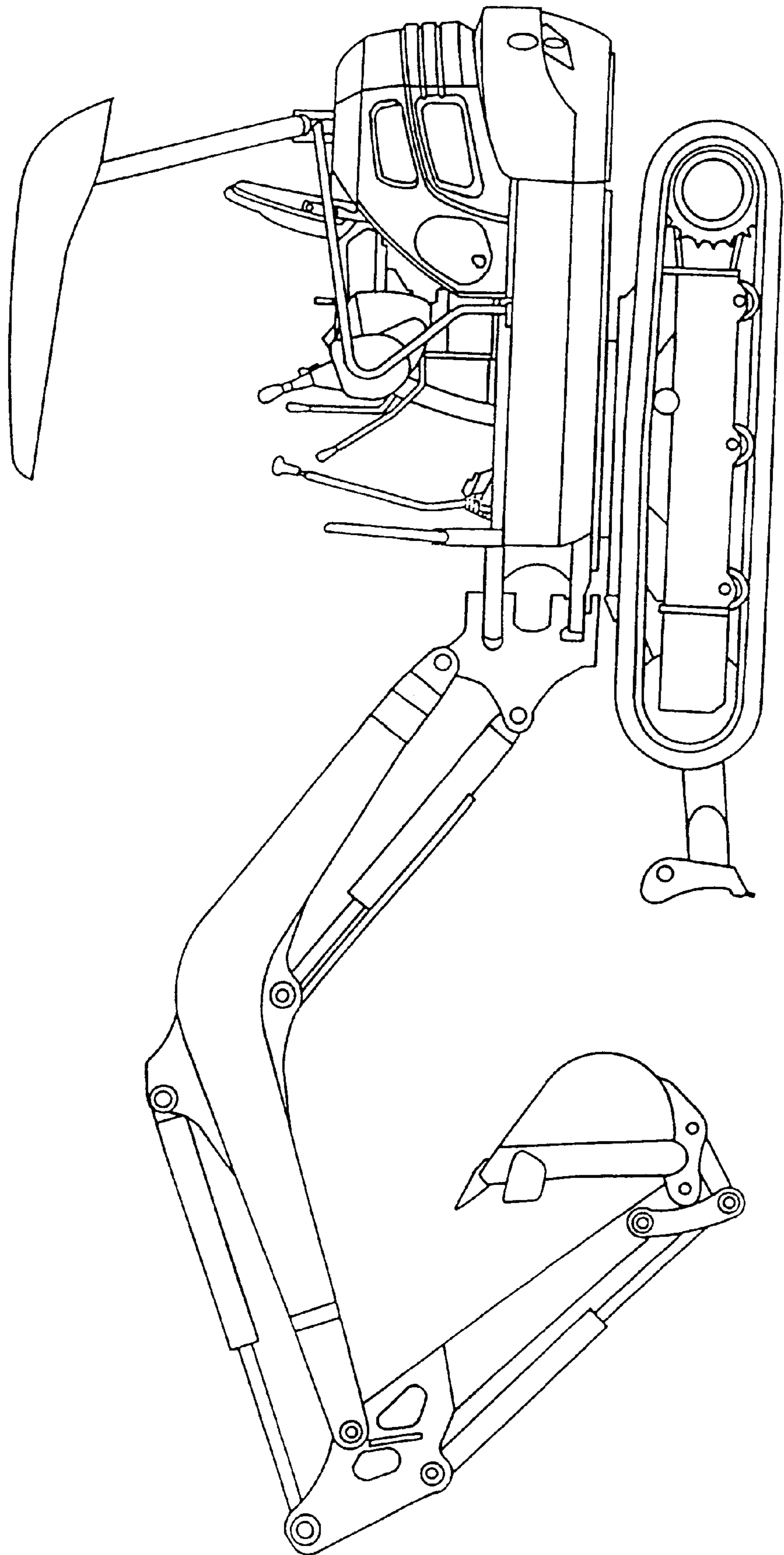


FIG. 10

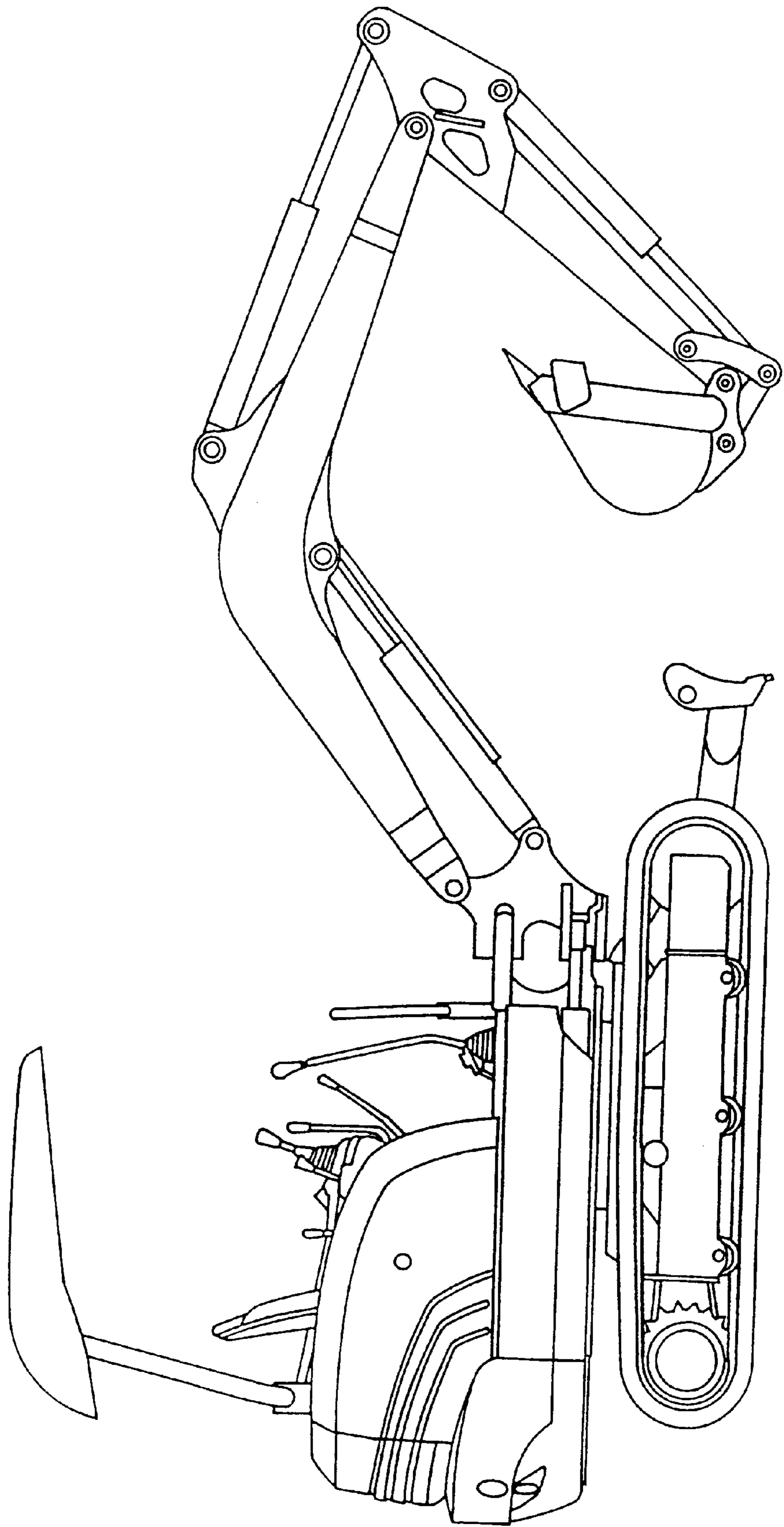


FIG. 11

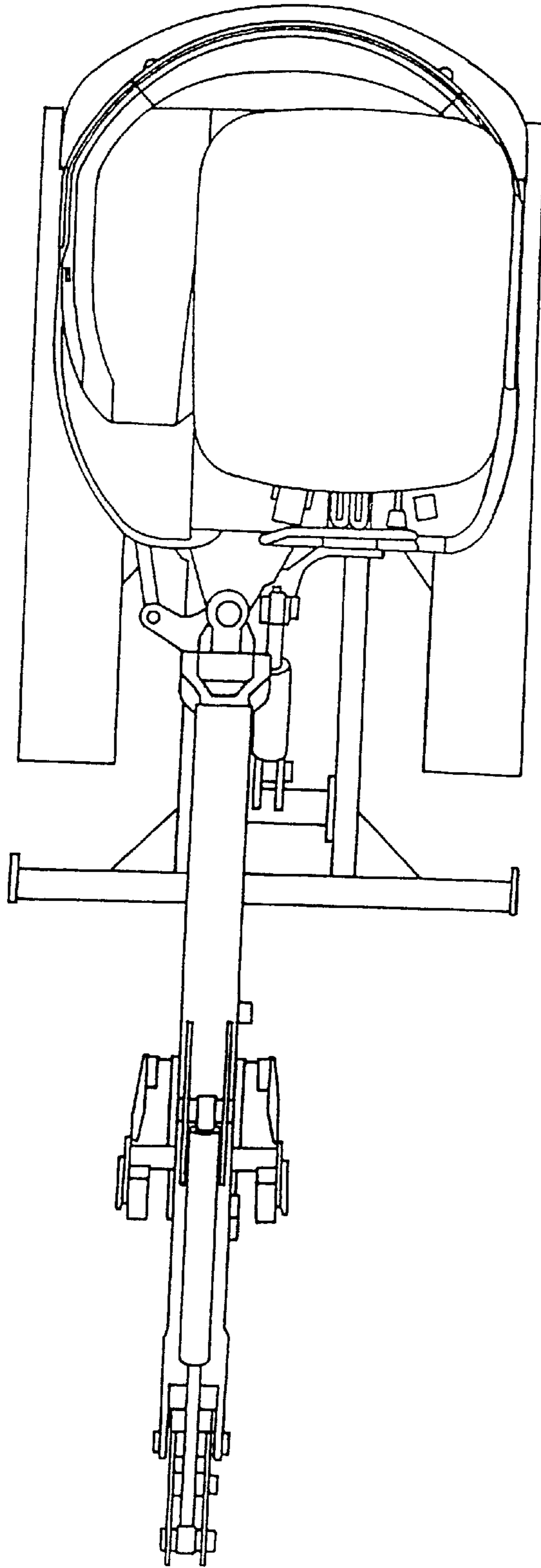


FIG. 12

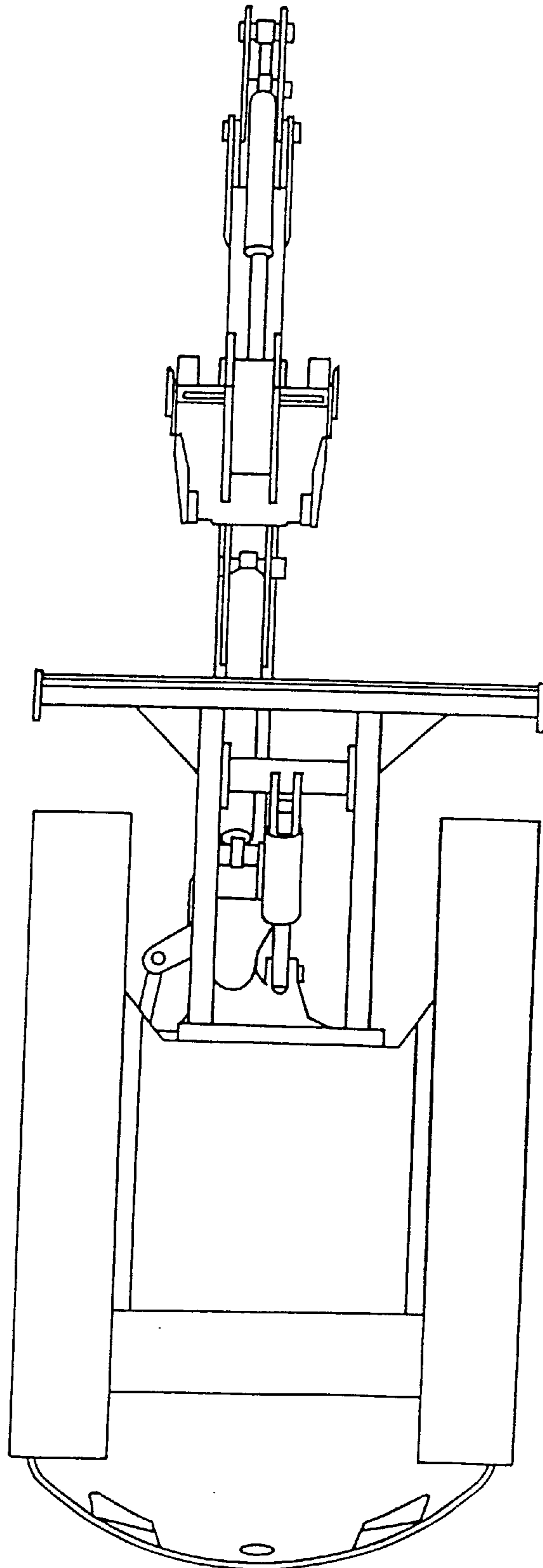




FIG. 13

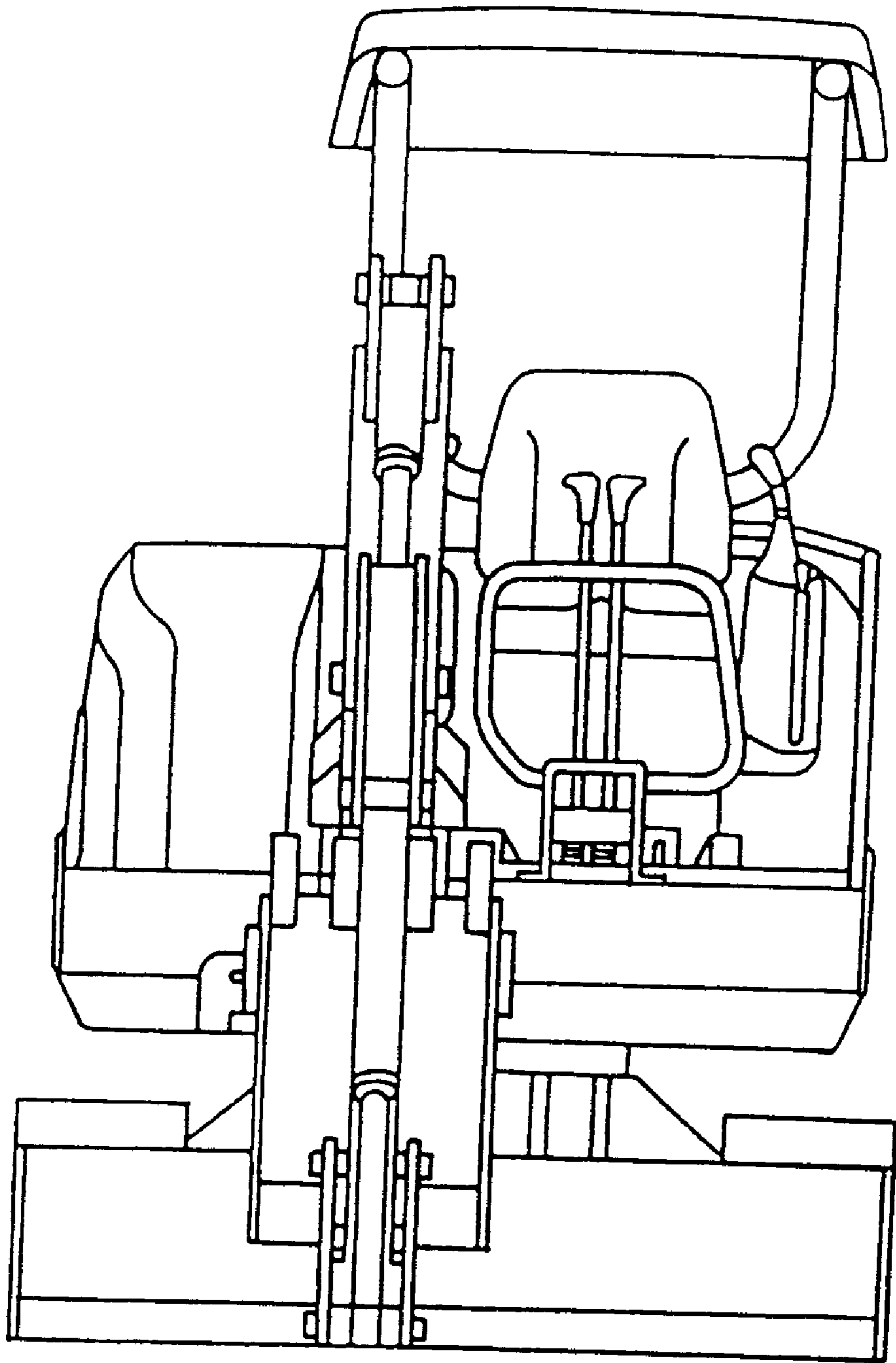


FIG. 14

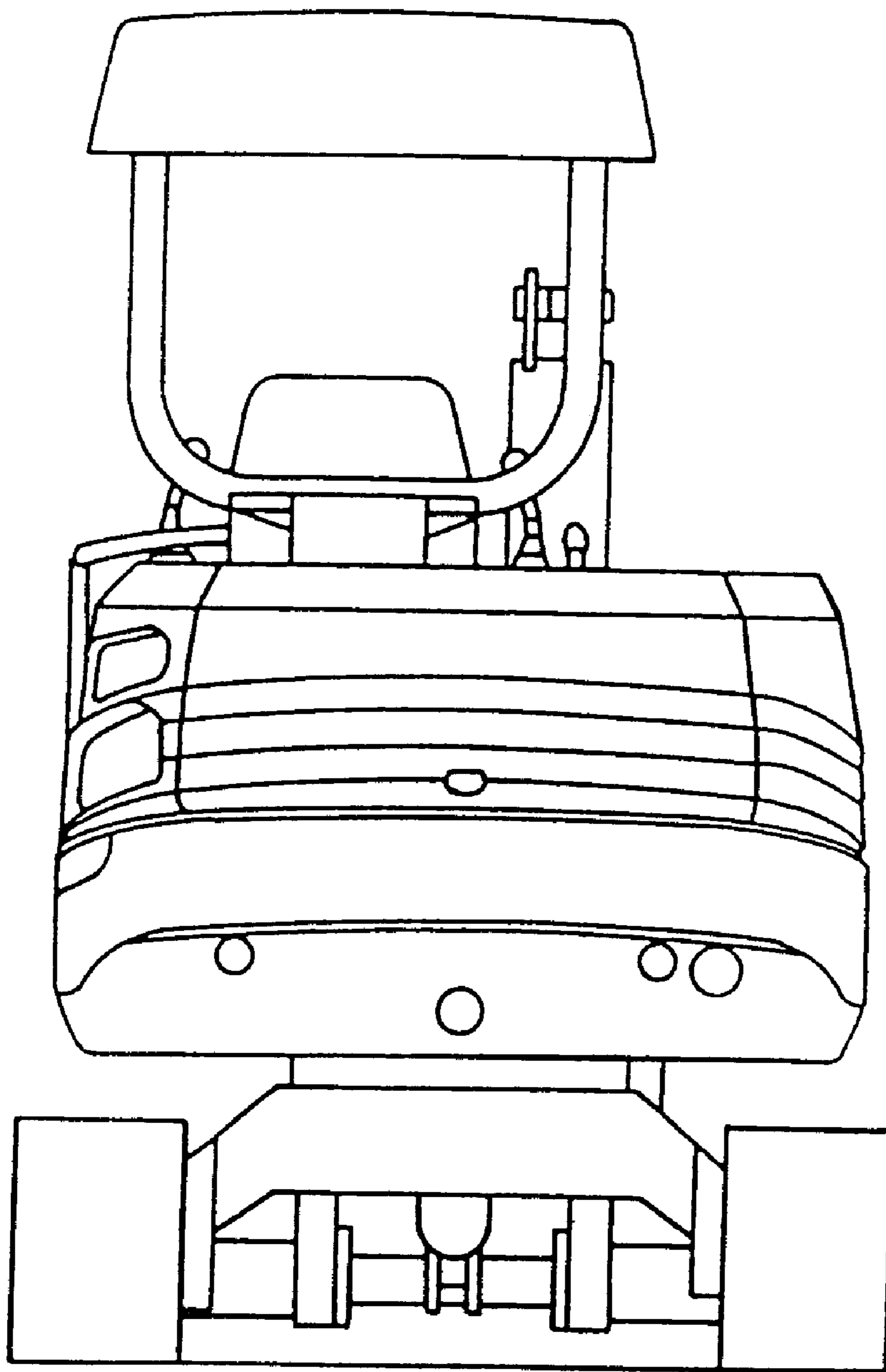


FIG. 15

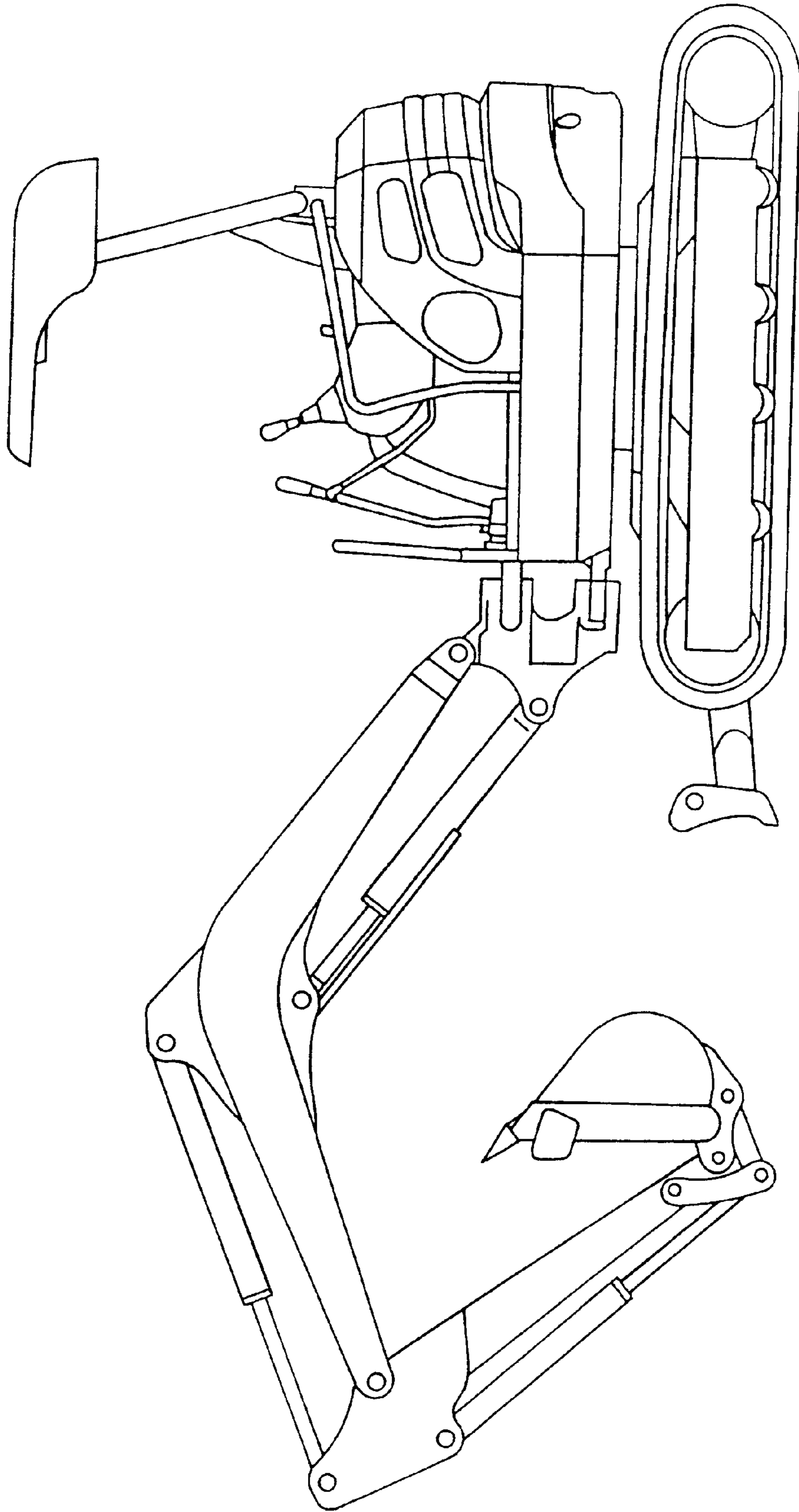


FIG. 16

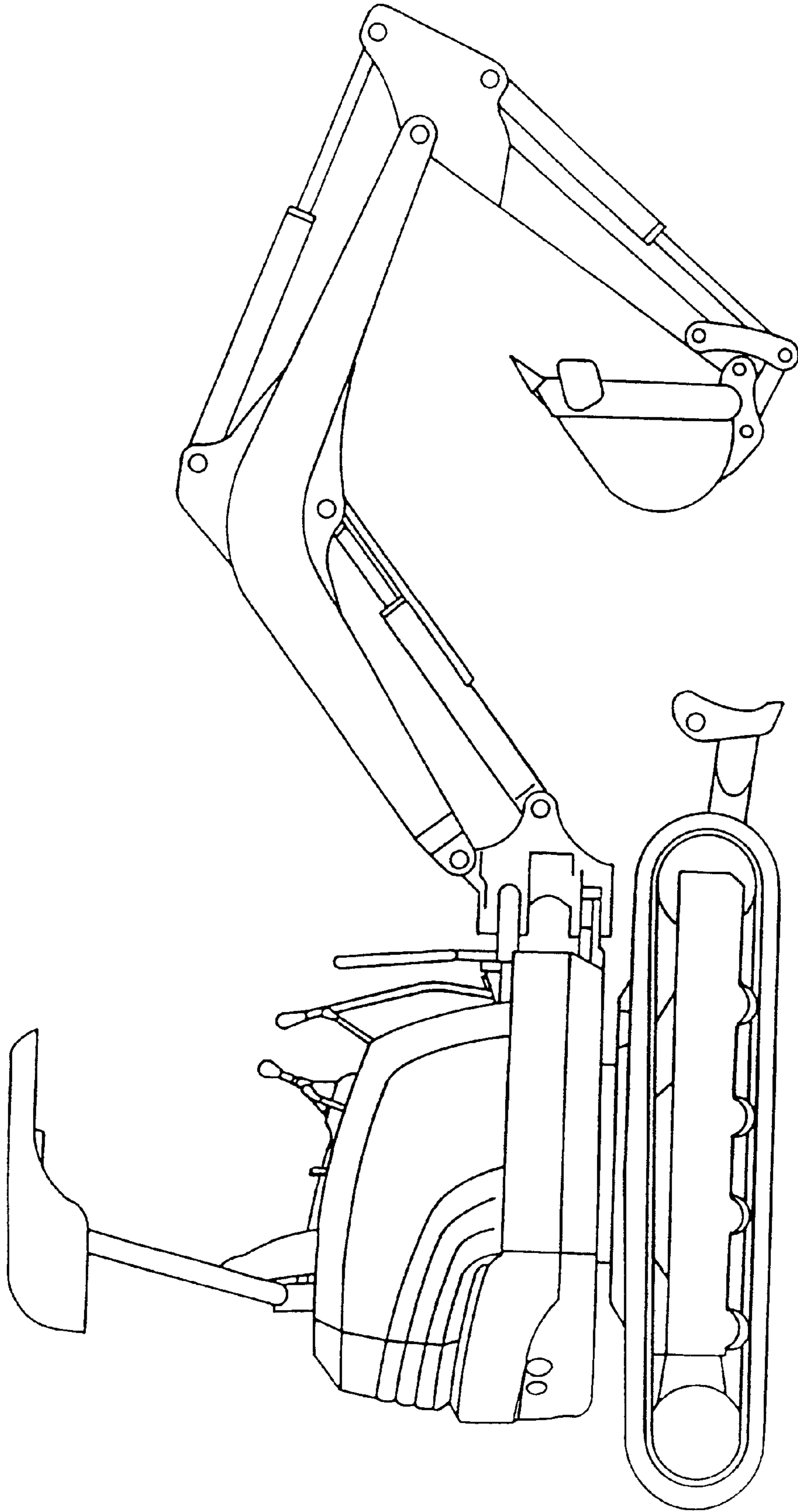


FIG. 17

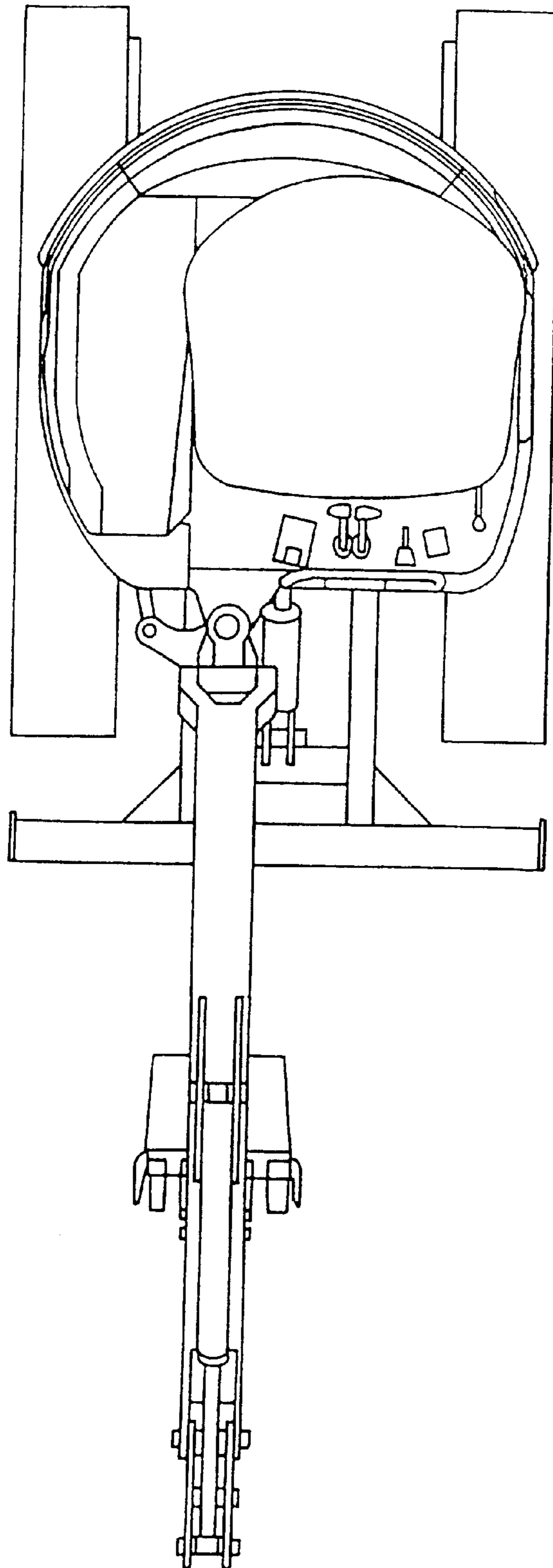
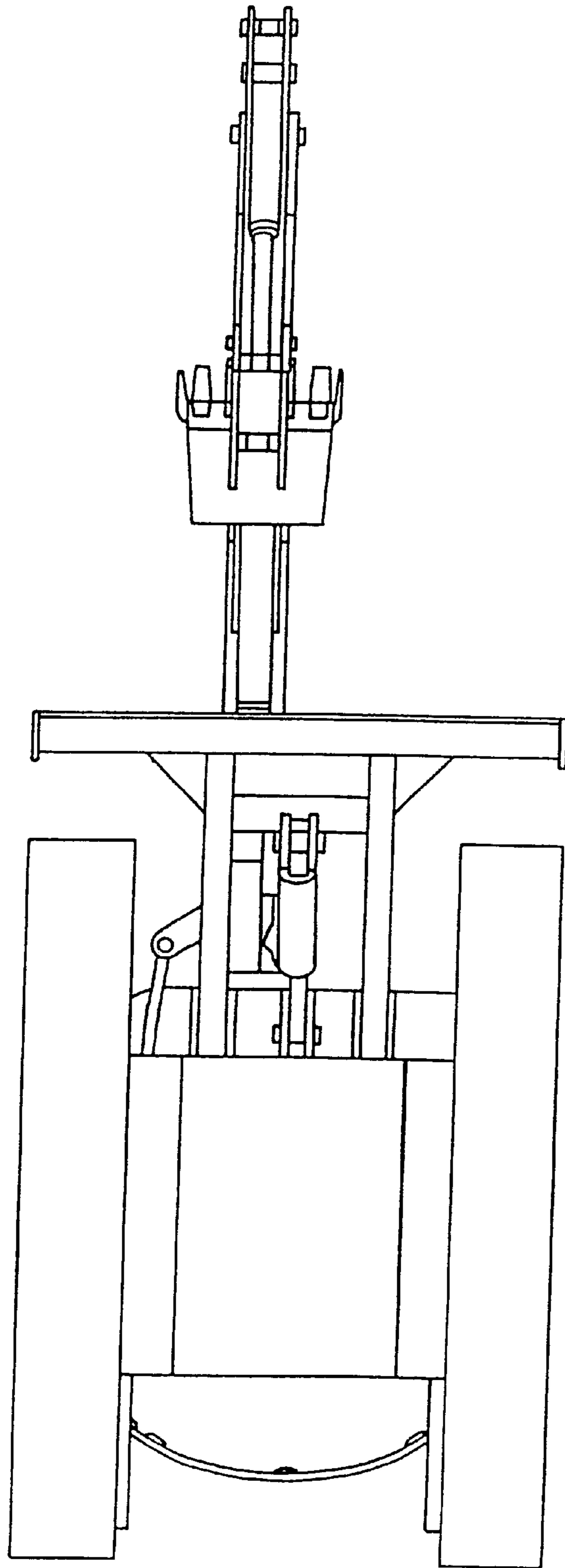




FIG. 18



UNITED STATES PATENT AND TRADEMARK OFFICE  
**CERTIFICATE OF CORRECTION**

PATENT NO. : Des 440,235 S  
DATED : April 10, 2001  
INVENTOR(S) : Junta Kuwae et al.

Page 1 of 1

It is certified that error appears in the above-identified patent and that said Letters Patent is hereby corrected as shown below:

Title page.

Insert the following:

-- [30] **Foreign Application Priority Data**

May 26, 1999 (JP) .....11-013834

May 26, 1999 (JP) .....11-013835 --.

Signed and Sealed this

Fifteenth Day of January, 2002

Attest:



Attesting Officer

JAMES E. ROGAN  
Director of the United States Patent and Trademark Office