



US00D440233S

(12) **United States Design Patent**
Smith

(10) **Patent No.:** **US D440,233 S**

(45) **Date of Patent:** **** Apr. 10, 2001**

(54) **MOWER**

(75) **Inventor:** **Kenneth R. Smith**, Medina, OH (US)

(73) **Assignee:** **MTD Products Inc.**, Cleveland, OH (US)

(**) **Term:** **14 Years**

(21) **Appl. No.:** **29/114,373**

(22) **Filed:** **Nov. 22, 1999**

(51) **LOC (7) Cl.** **14-18**

(52) **U.S. Cl.** **D15/17**

(58) **Field of Search** D15/14, 15, 17;
56/202, 16.6, 320.2, 320.1, 17.2, 14.7;
280/781; 180/311, 89.1; D12/1

(56) **References Cited**

U.S. PATENT DOCUMENTS

- D. 227,392 * 6/1973 Skyer et al. .
- D. 248,655 * 7/1978 Klein D15/15

- D. 397,121 * 8/1998 Smith D15/15
- 5,136,829 * 8/1992 Sebben et al. 56/17.2
- 6,026,634 * 2/2000 Peter et al. 56/14.7

* cited by examiner

Primary Examiner—B. J. Bullock

(74) *Attorney, Agent, or Firm*—Emerson & Skeriotis;
Roger D. Emerson; Timothy D. Bennett

(57) **CLAIM**

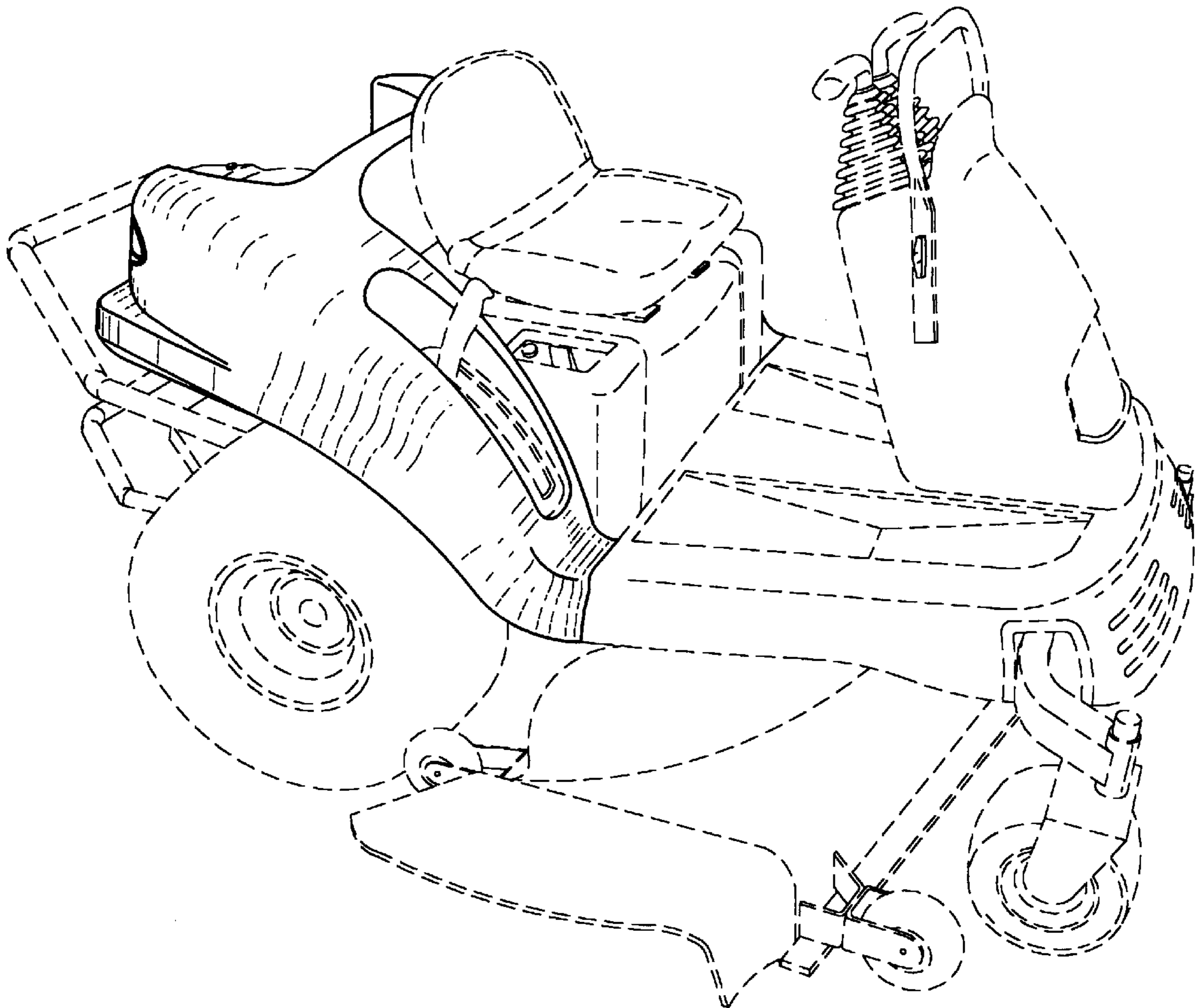
The ornamental design for a mower, as shown.

DESCRIPTION

FIG. 1 is a right perspective view of the current invention;
FIG. 2 is a back view of the current invention;
FIG. 3 is left perspective view of the current invention;
FIG. 4 is a front view of the current invention;
FIG. 5 is a top view of the current invention; and,
FIG. 6 is a perspective view of the current invention.

The broken lines are for illustrative purposes only and form no part of the claimed design.

1 Claim, 6 Drawing Sheets



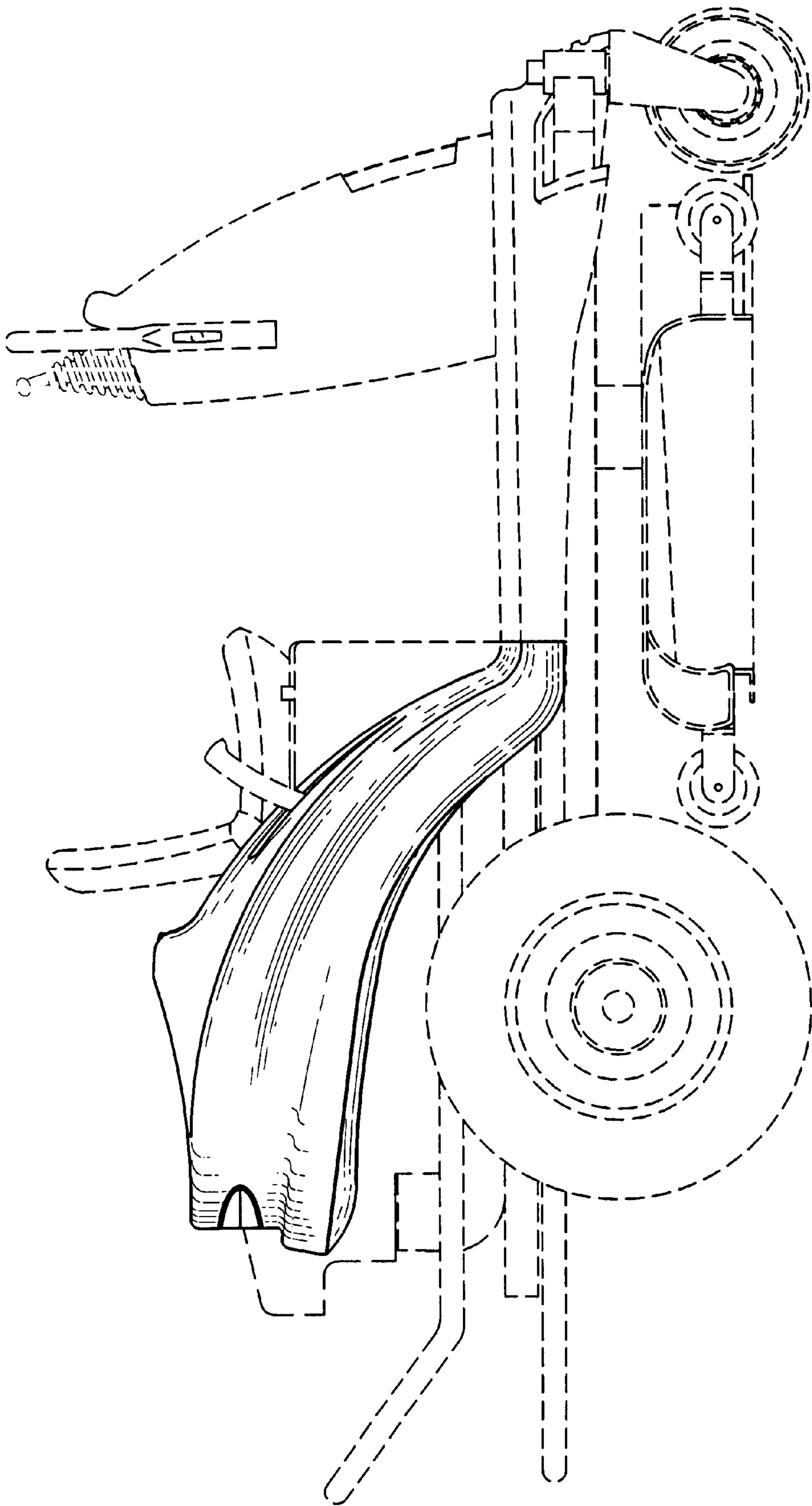


FIG-1

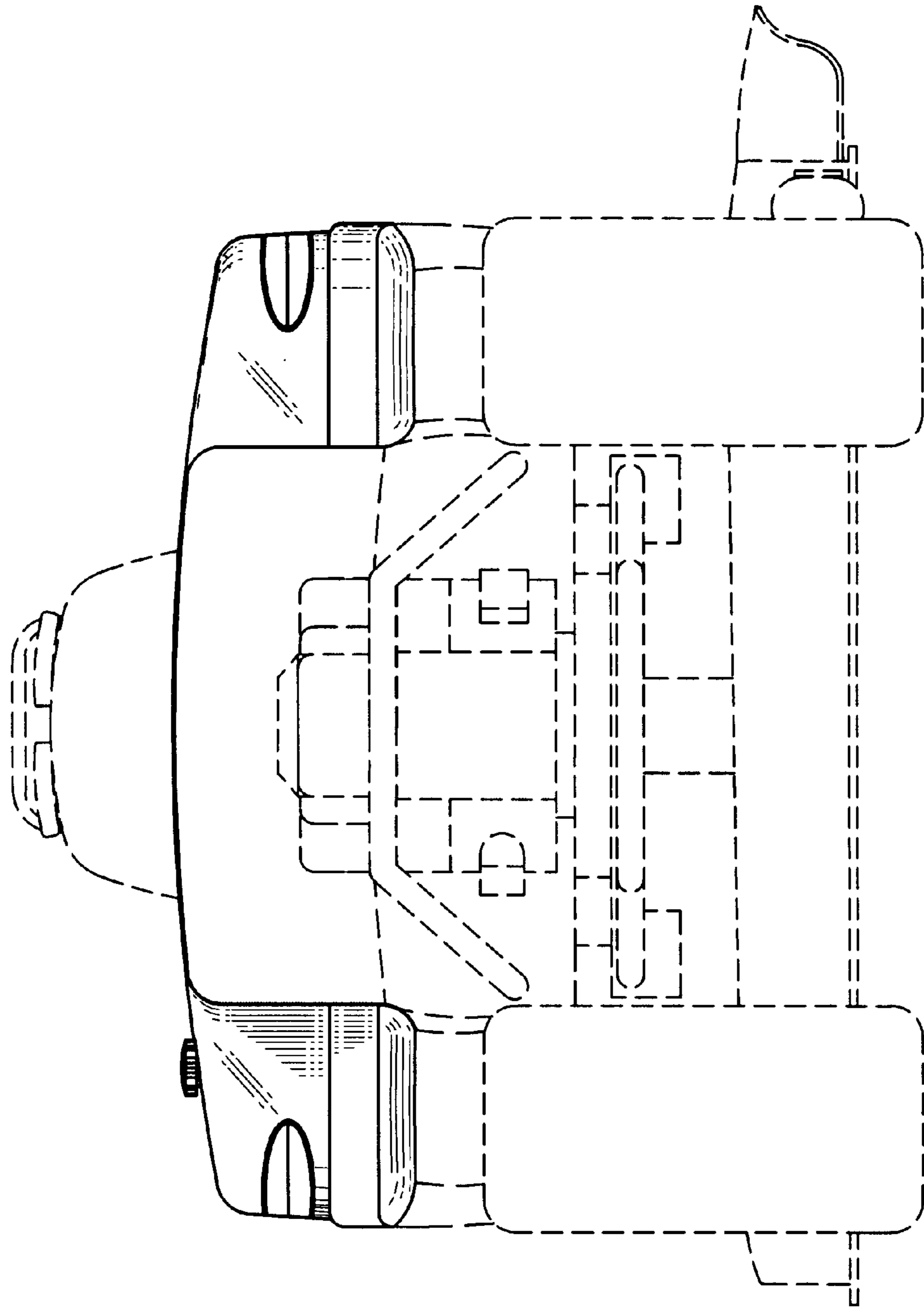


FIG-2

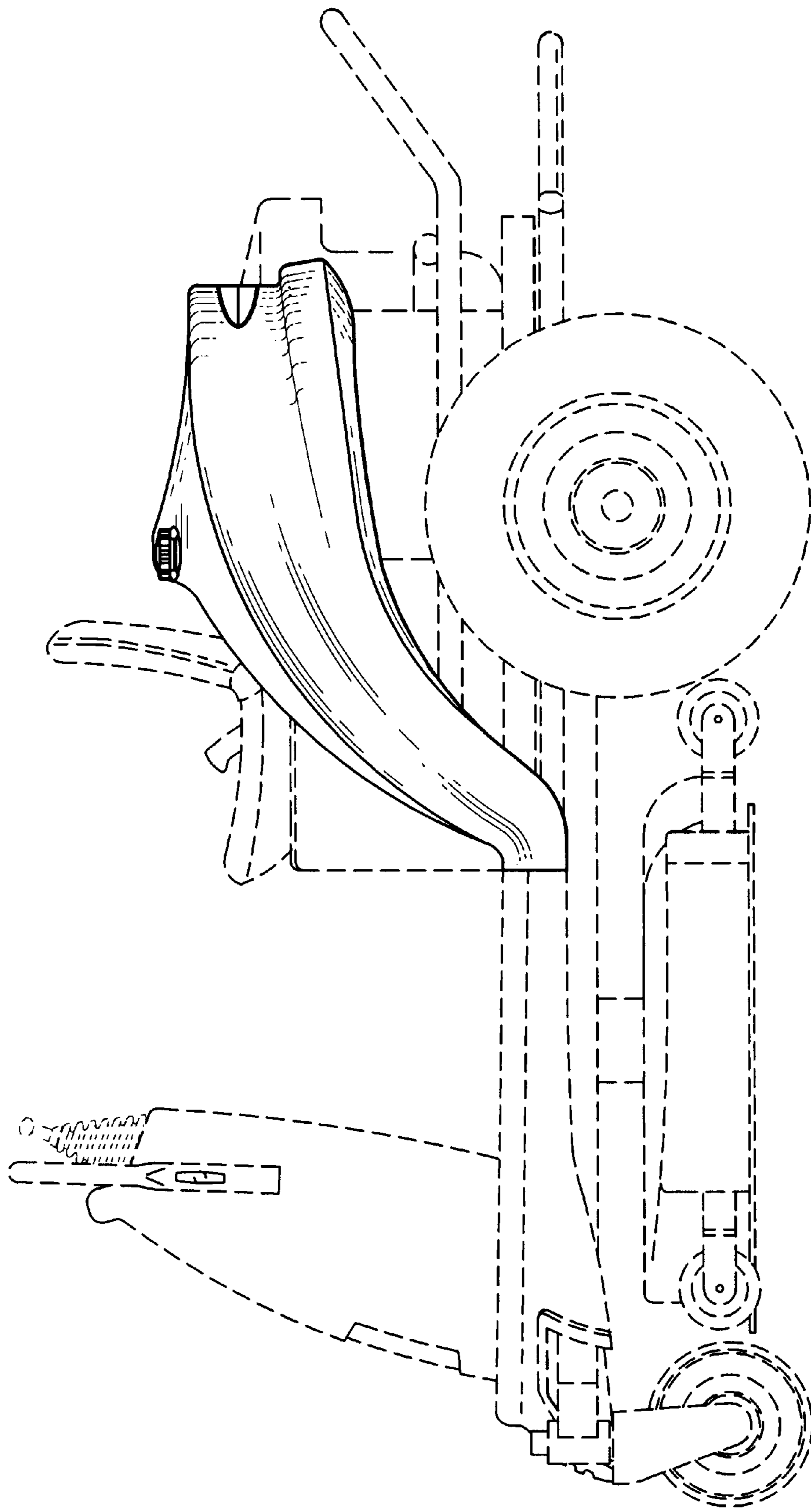


FIG-3

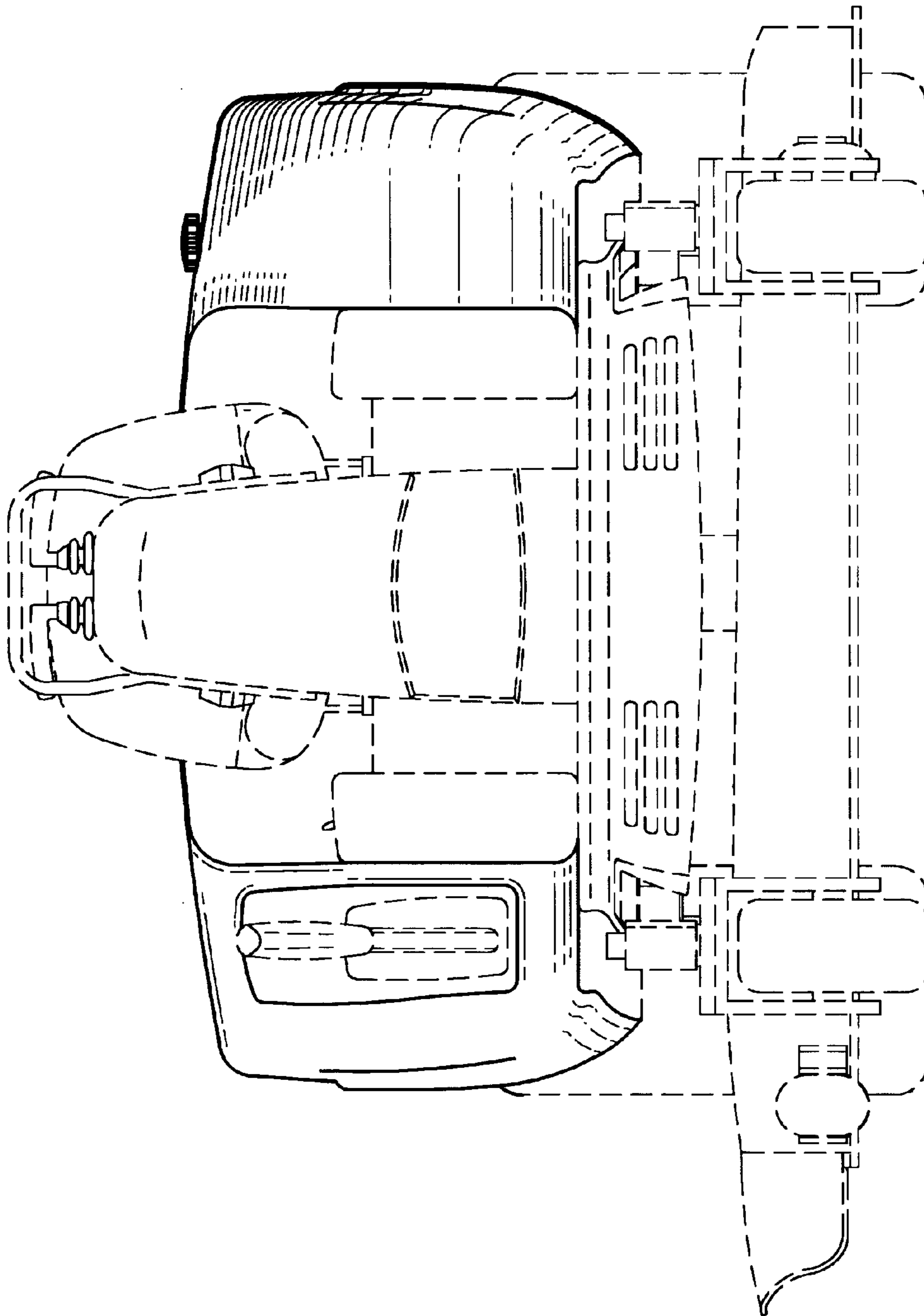


FIG-4

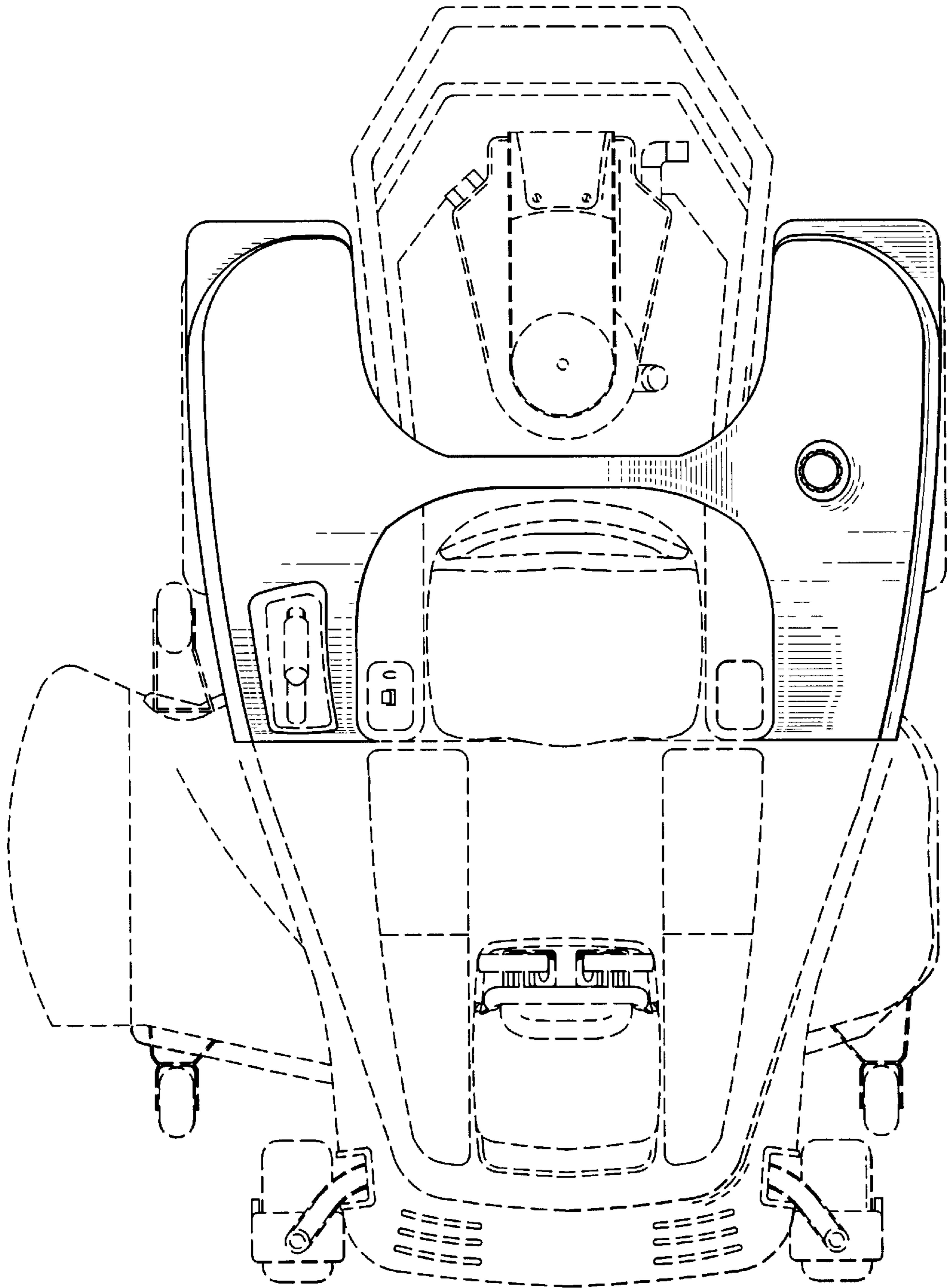


FIG-5

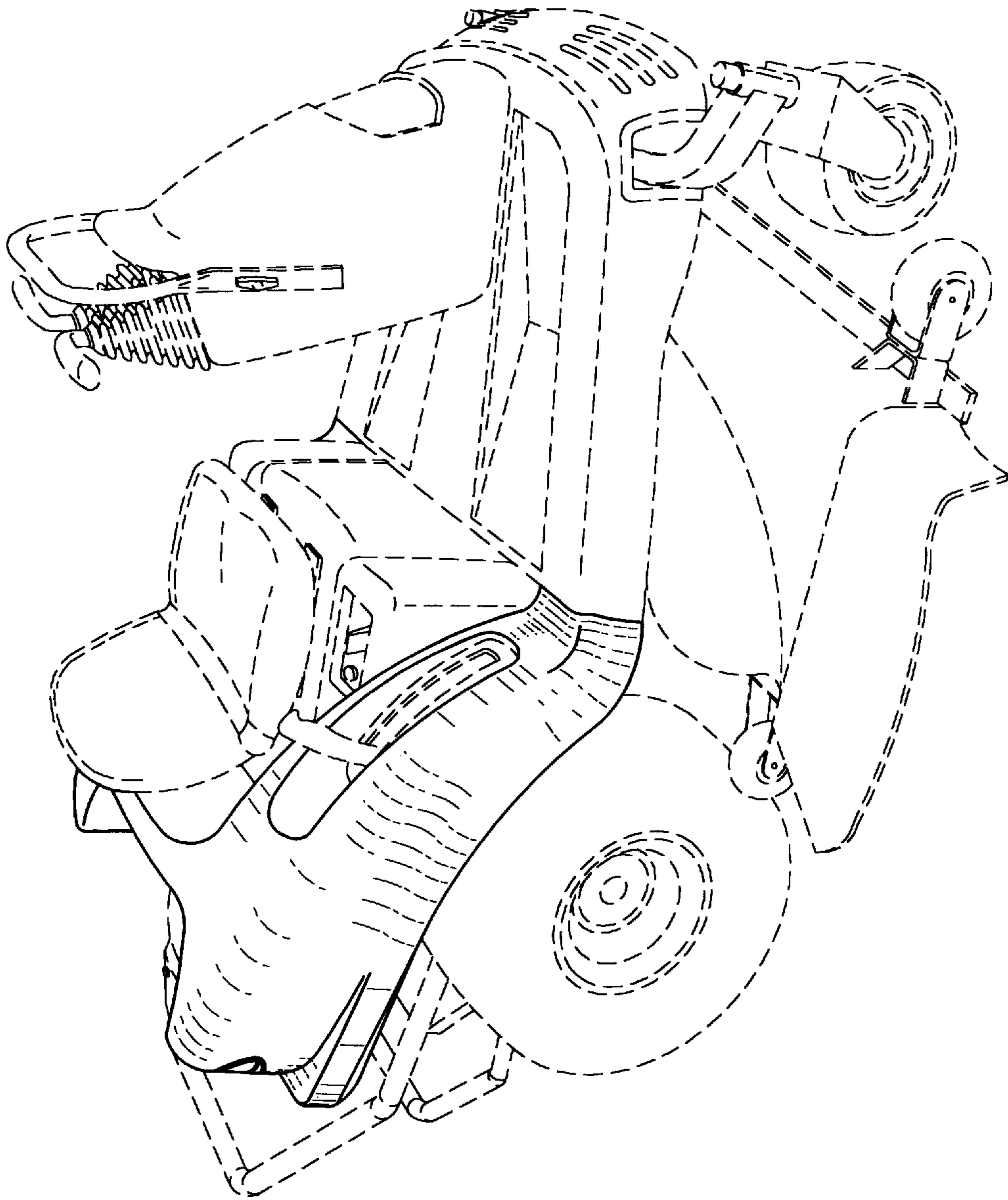


FIG-6