



US00D440227S

(12) **United States Design Patent**
Lowenstein

(10) **Patent No.:** **US D440,227 S**

(45) **Date of Patent:** **** Apr. 10, 2001**

(54) **COMPACT AND MINI DISK**

(75) Inventor: **Rod Lowenstein**, Jericho, NY (US)

(73) Assignee: **Shape CD, Inc.**, New York, NY (US)

(**) Term: **14 Years**

(21) Appl. No.: **29/114,002**

(22) Filed: **Nov. 16, 1999**

(51) **LOC (7) Cl.** **14-99**

(52) **U.S. Cl.** **D14/478**

(58) **Field of Search** D14/474, 478-80;
D19/9, 10; 360/133, 135, 97.01-99.12;
395/186; 369/272, 273, 280, 282-8

(56) **References Cited**

U.S. PATENT DOCUMENTS

- D. 394,648 * 5/1998 Rohde .
- D. 419,151 * 1/2000 Lowenstein .
- D. 419,152 * 1/2000 Lowenstein .
- D. 421,427 * 3/2000 Siegel .

- 5,740,155 * 4/1998 Spector .
- 5,751,671 * 5/1998 Koike et al. .
- 5,882,555 * 3/1999 Rohde et al. .
- 5,982,736 * 11/1999 Pierson .

* cited by examiner

Primary Examiner—M. H. Tung

(74) *Attorney, Agent, or Firm*—McGlew and Tuttle, P.C.

(57) **CLAIM**

The ornamental design for a compact and mini disk, as shown and described.

DESCRIPTION

FIG. 1 is a top plan view of a compact and mini disk showing my new design;
 FIG. 2 is a bottom plan view thereof;
 FIG. 3 is a front view thereof;
 FIG. 4 is a back view thereof; and,
 FIG. 5 is a left side view thereof, the right side being a mirror image thereof.

1 Claim, 3 Drawing Sheets

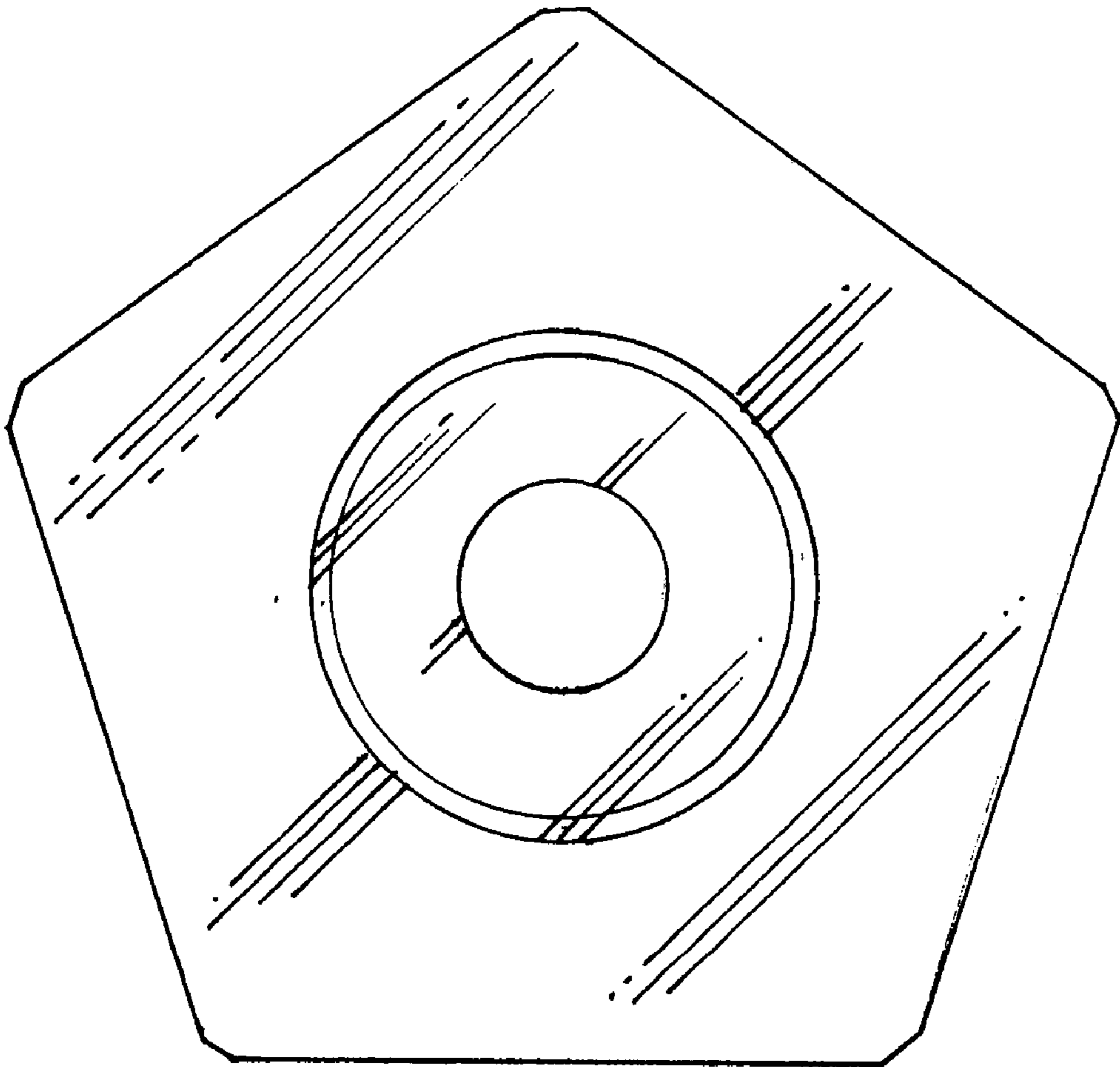


Fig. 1

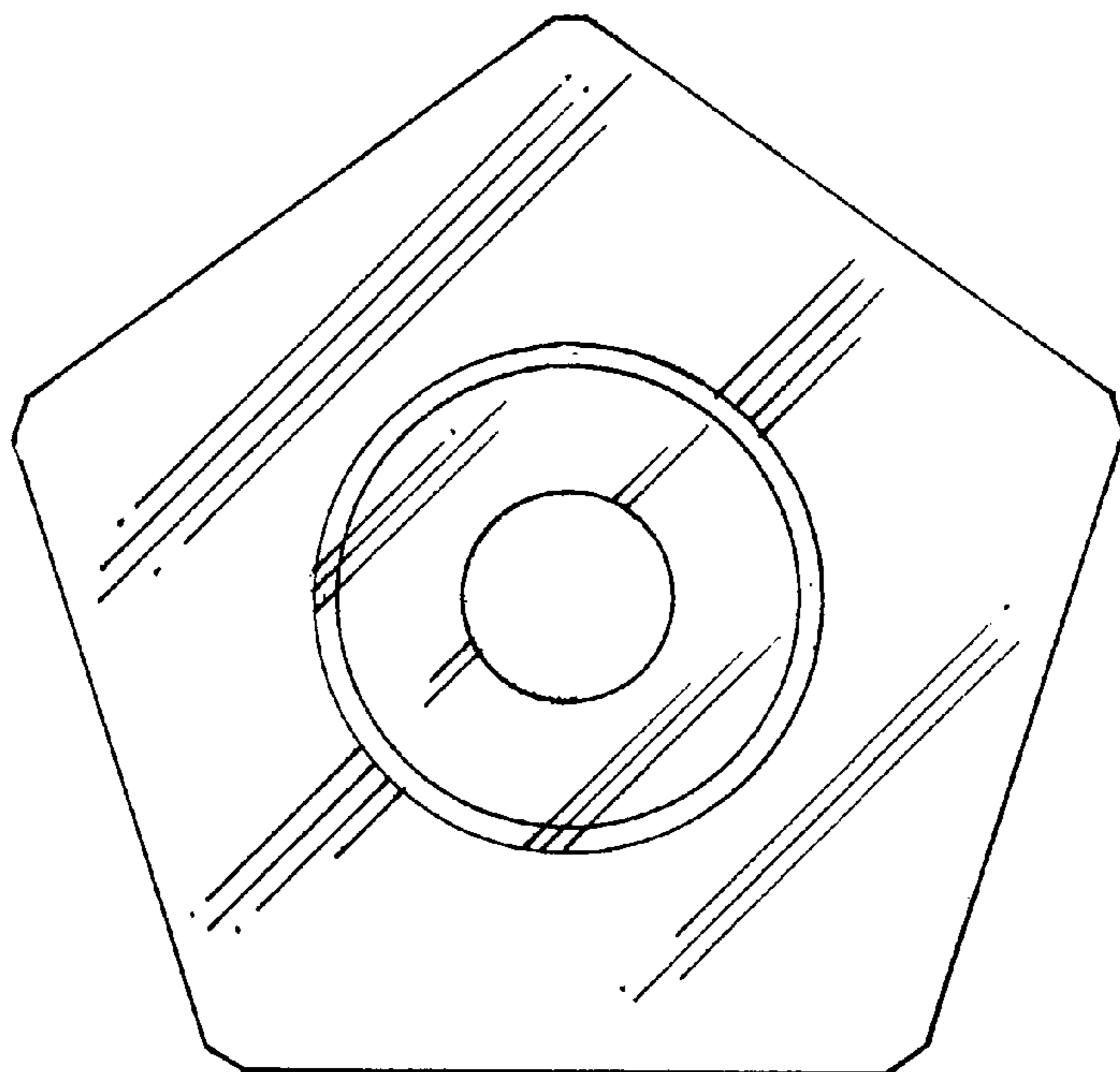
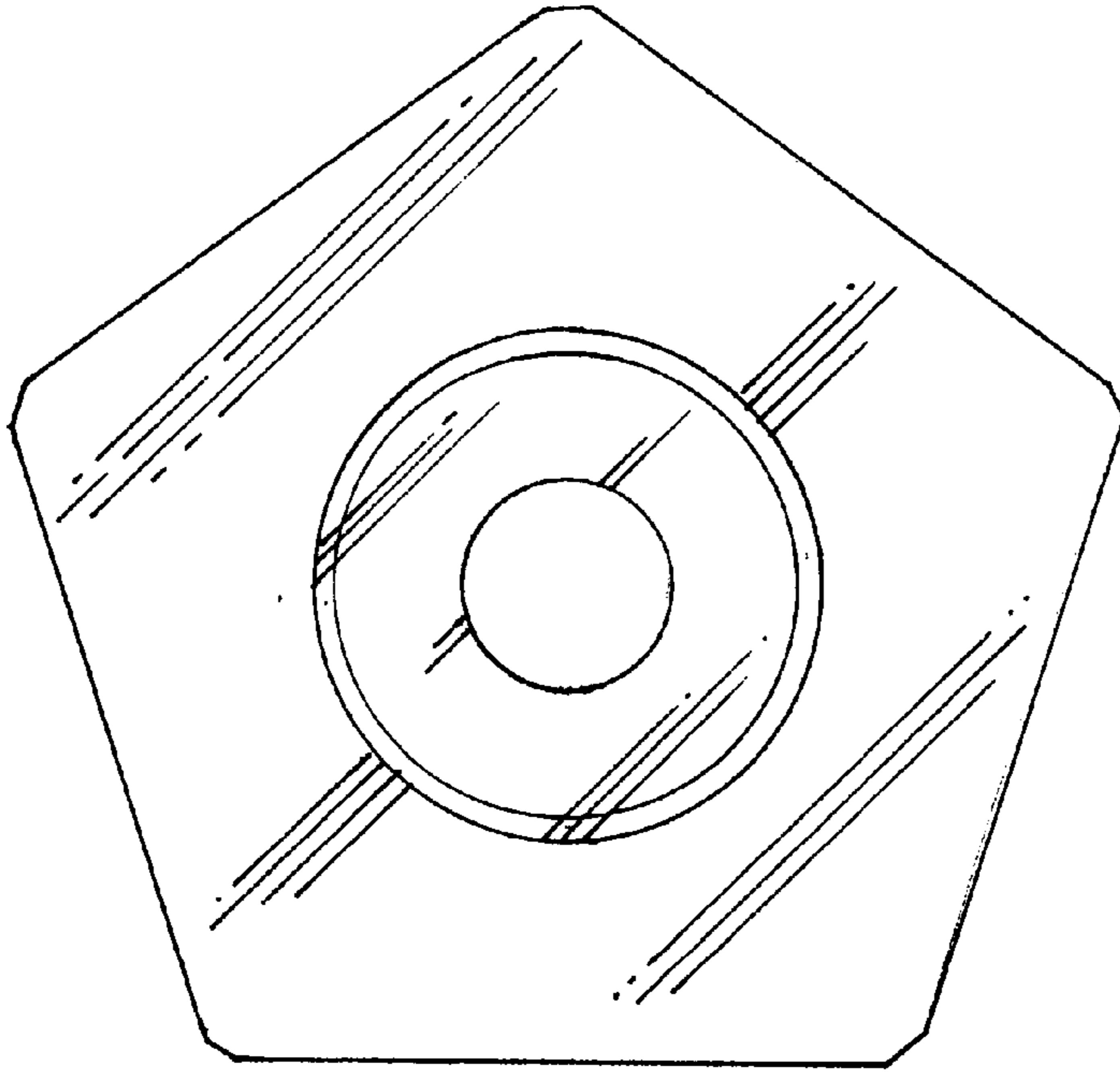


Fig. 2

Fig. 3

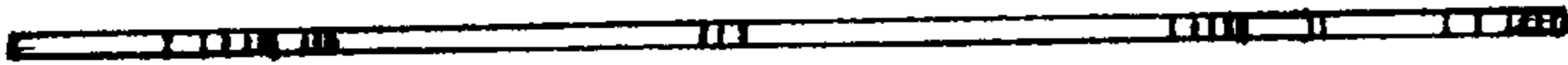


Fig. 4

Fig. 5

