



US00D440226S

(12) **United States Design Patent**
Harvey

(10) **Patent No.:** **US D440,226 S**

(45) **Date of Patent:** **** Apr. 10, 2001**

(54) **COMPUTER BEZEL**

(76) Inventor: **William B. Harvey**, 2320 SW. Dolph Ct., Portland, OR (US) 97219

(**) Term: **14 Years**

(21) Appl. No.: **29/108,581**

(22) Filed: **Jul. 28, 1999**

(51) **LOC (7) Cl.** **14-02**

(52) **U.S. Cl.** **D14/441**

(58) **Field of Search** D14/441-446,
D14/257, 258; D10/103; D13/162, 184,
164, 199, 177; 312/223.2; 361/600, 622,
724-728

(56) **References Cited**

U.S. PATENT DOCUMENTS

D. 314,568	*	2/1991	Martin	D14/445
D. 363,477	*	10/1995	Tinsley, Jr. et al.	D14/445
D. 407,078	*	3/1999	Fu	D14/446

* cited by examiner

Primary Examiner—Freda Nunn

(74) *Attorney, Agent, or Firm*—Chernoff, Vilhauer, McClung & Stenzel, LLP; Howard Eisenberg, Esq.

(57) **CLAIM**

The ornamental design for a computer bezel, as shown and described.

DESCRIPTION

FIG. 1 is a front perspective view of a computer bezel, showing my new design;

FIG. 2 is a front perspective view thereof;

FIG. 3 is a front elevational view thereof;

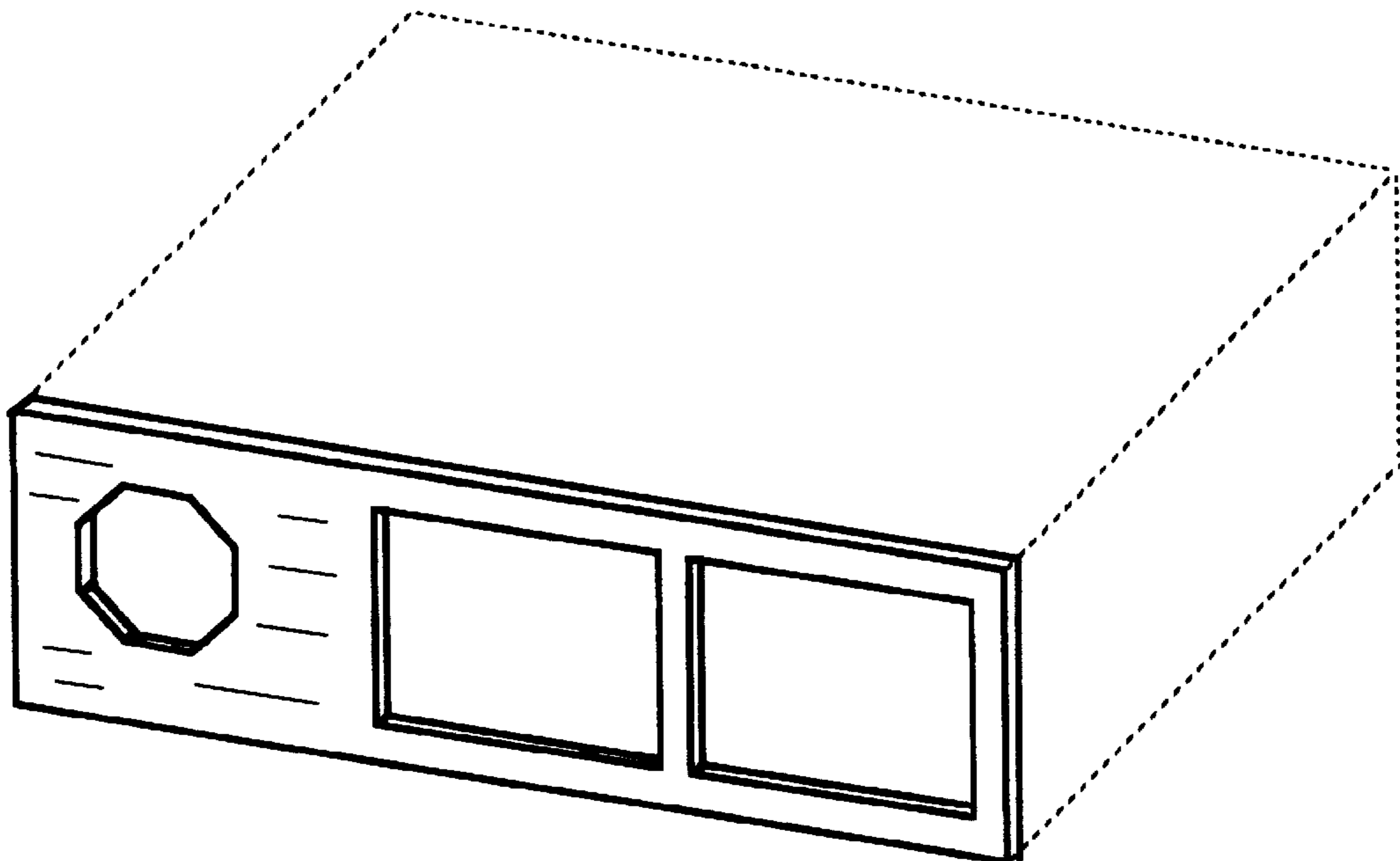
FIG. 4 is a front elevational view of a second embodiment thereof;

FIG. 5 is a right side elevational view of FIGS. 1-4, the left side elevational view being a mirror image; and,

FIG. 6 is a top elevational view of FIGS. 1-4.

The computer case is shown in broken lines in FIGS. 1, 5, and 6 for illustrative purposes only and forms no part of the claimed design.

1 Claim, 5 Drawing Sheets



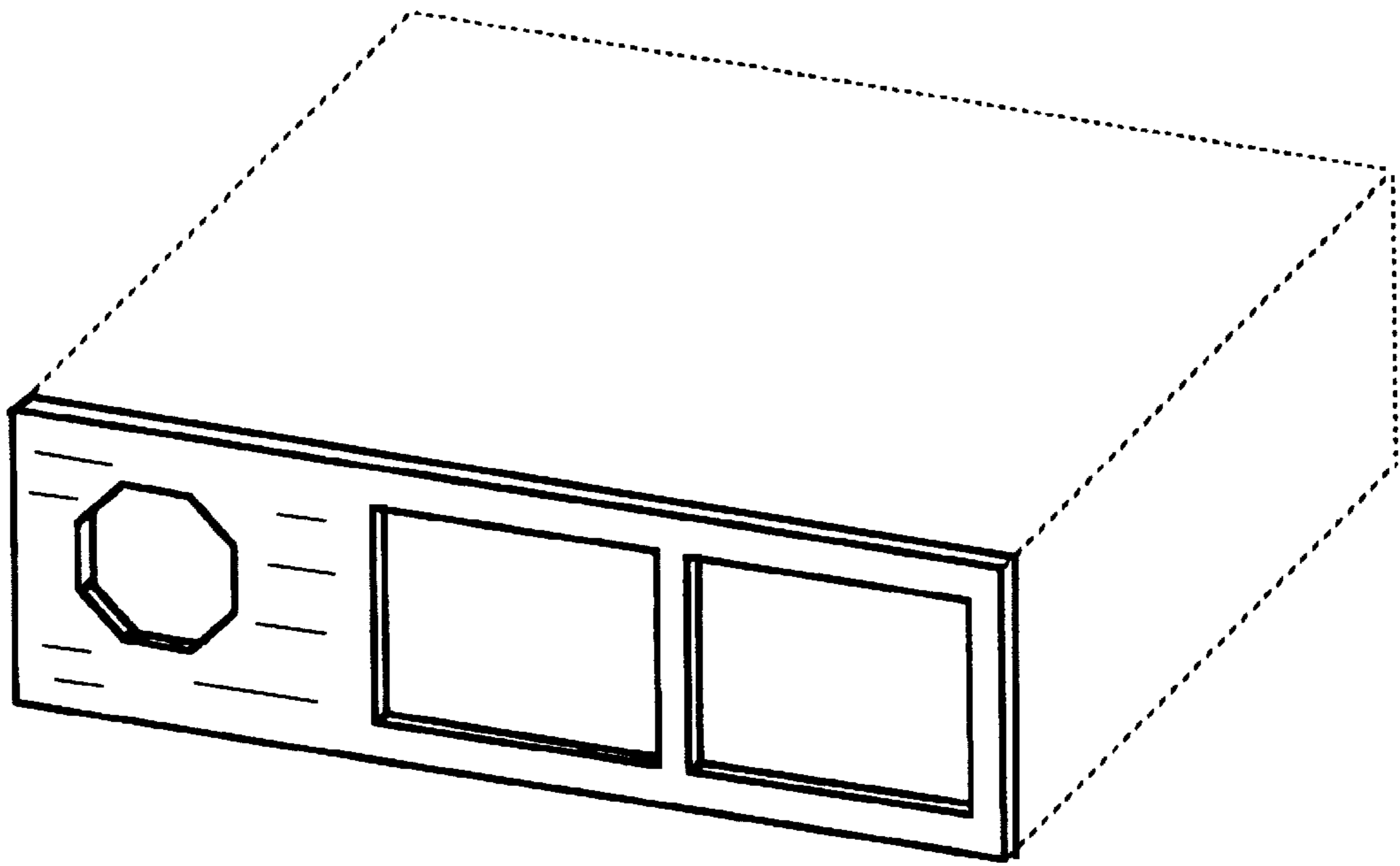


Figure 1

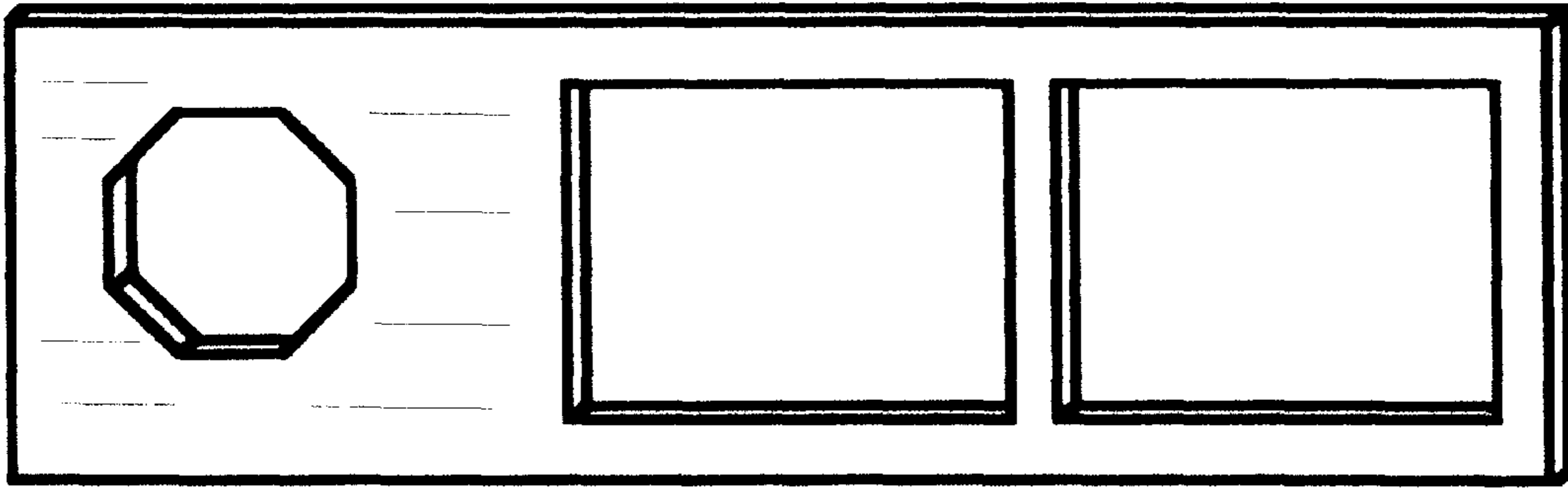


Figure 2

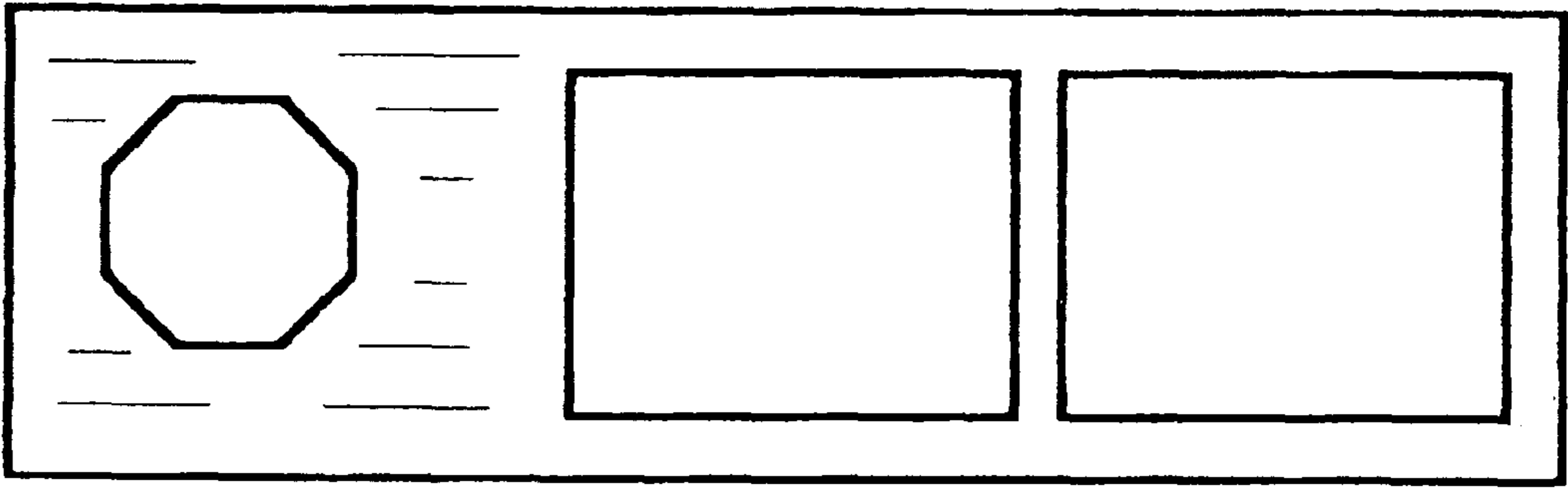


Figure 3

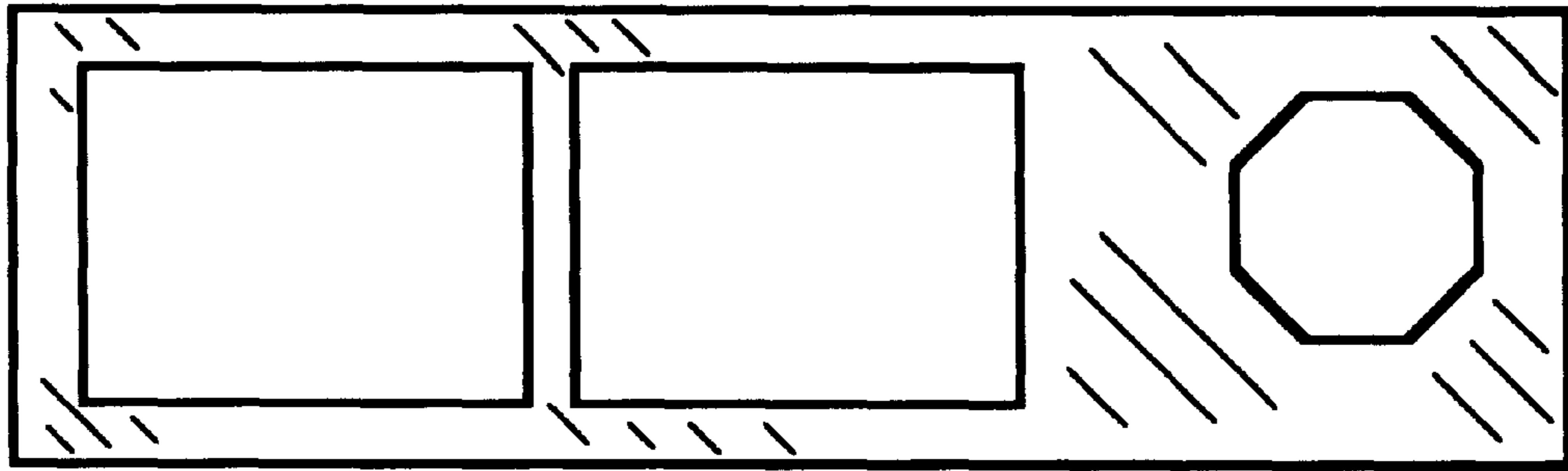


Figure 4



Figure 5

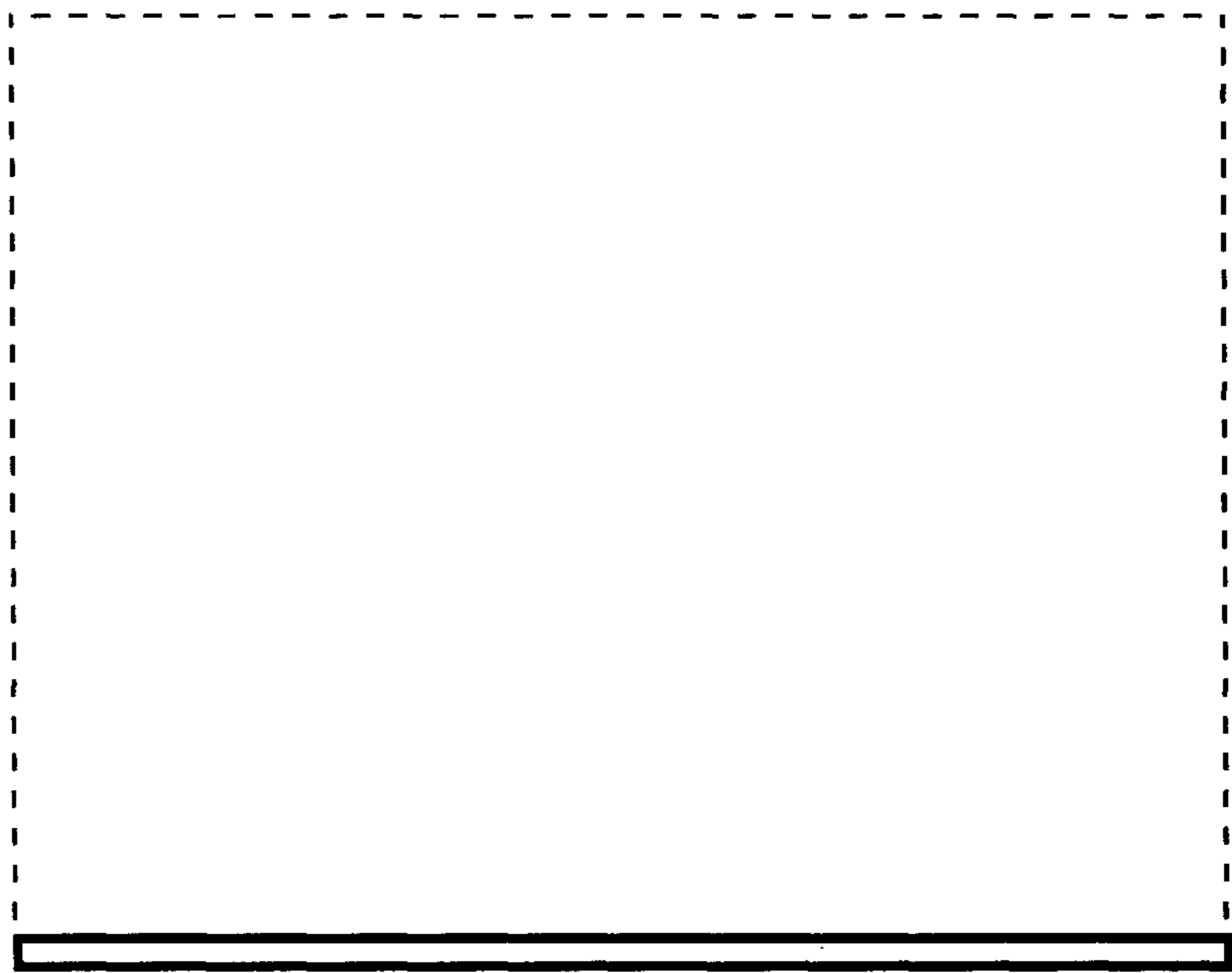


Figure 6