



US00D440222S

(12) **United States Design Patent**
Goto

(10) **Patent No.:** **US D440,222 S**

(45) **Date of Patent:** **** Apr. 10, 2001**

(54) **ELECTROACOUSTIC TRANSDUCER**

5,467,323 * 11/1995 Sone 381/193 X

(75) Inventor: **Yoichi Goto**, Shizuoka (JP)

5,748,566 * 5/1998 Goodson 367/158

(73) Assignee: **Star Micronics Co., Ltd.**, Shizuoka (JP)

5,830,007 * 11/1998 Fry et al. 439/500

5,854,846 * 12/1998 Beavers 381/174

(**) Term: **14 Years**

* cited by examiner

Primary Examiner—Brian N. Vinson

(21) Appl. No.: **29/114,596**

(74) *Attorney, Agent, or Firm*—Sughrue, Mion, Zinn, Macpeak & Seas, PLLC

(22) Filed: **Nov. 30, 1999**

(57) **CLAIM**

(30) **Foreign Application Priority Data**

The ornamental design for an electroacoustic transducer, as shown and described.

May 31, 1999 (JP) 11-14157

DESCRIPTION

(51) **LOC (7) Cl.** **14-01**

FIG. 1 is a perspective view of the top, front and left side of an electroacoustic transducer showing my new design;

(52) **U.S. Cl.** **D14/222**

FIG. 2 is a front elevational view thereof;

(58) **Field of Search** D14/222; 340/392, 340/396; 367/157-167; 381/170, 174, 173, 191, 198, 193; 439/500, 626

FIG. 3 is a rear elevational view thereof;

FIG. 4 is a top plan view thereof;

(56) **References Cited**

FIG. 5 is a bottom plan view thereof; and,

FIG. 6 is a left side elevational view thereof, the right side elevational view being a mirror image thereof.

U.S. PATENT DOCUMENTS

D. 387,768 * 12/1997 Sone D14/222

D. 401,588 * 11/1998 Fushimi D14/222

1 Claim, 1 Drawing Sheet

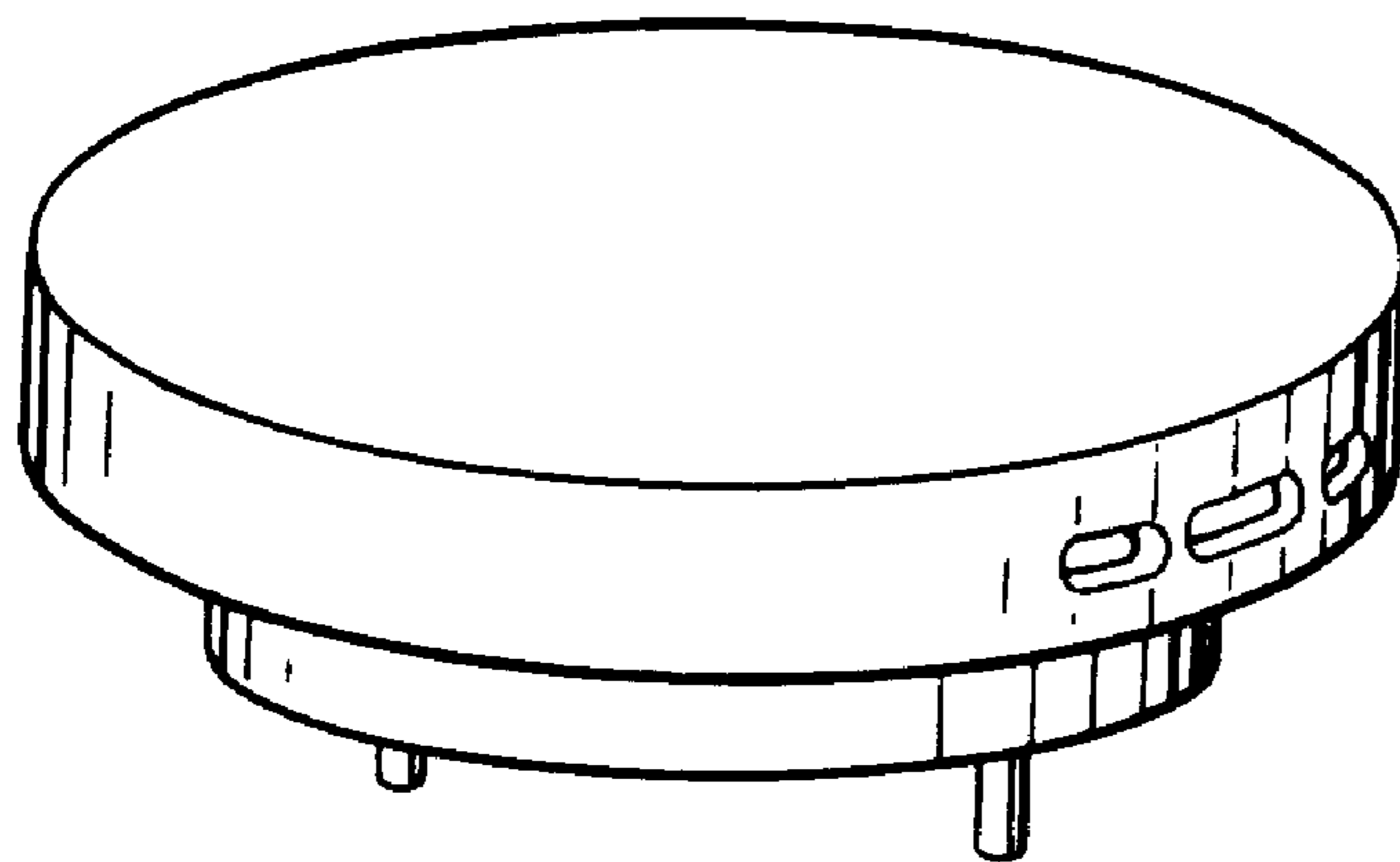


FIG.1

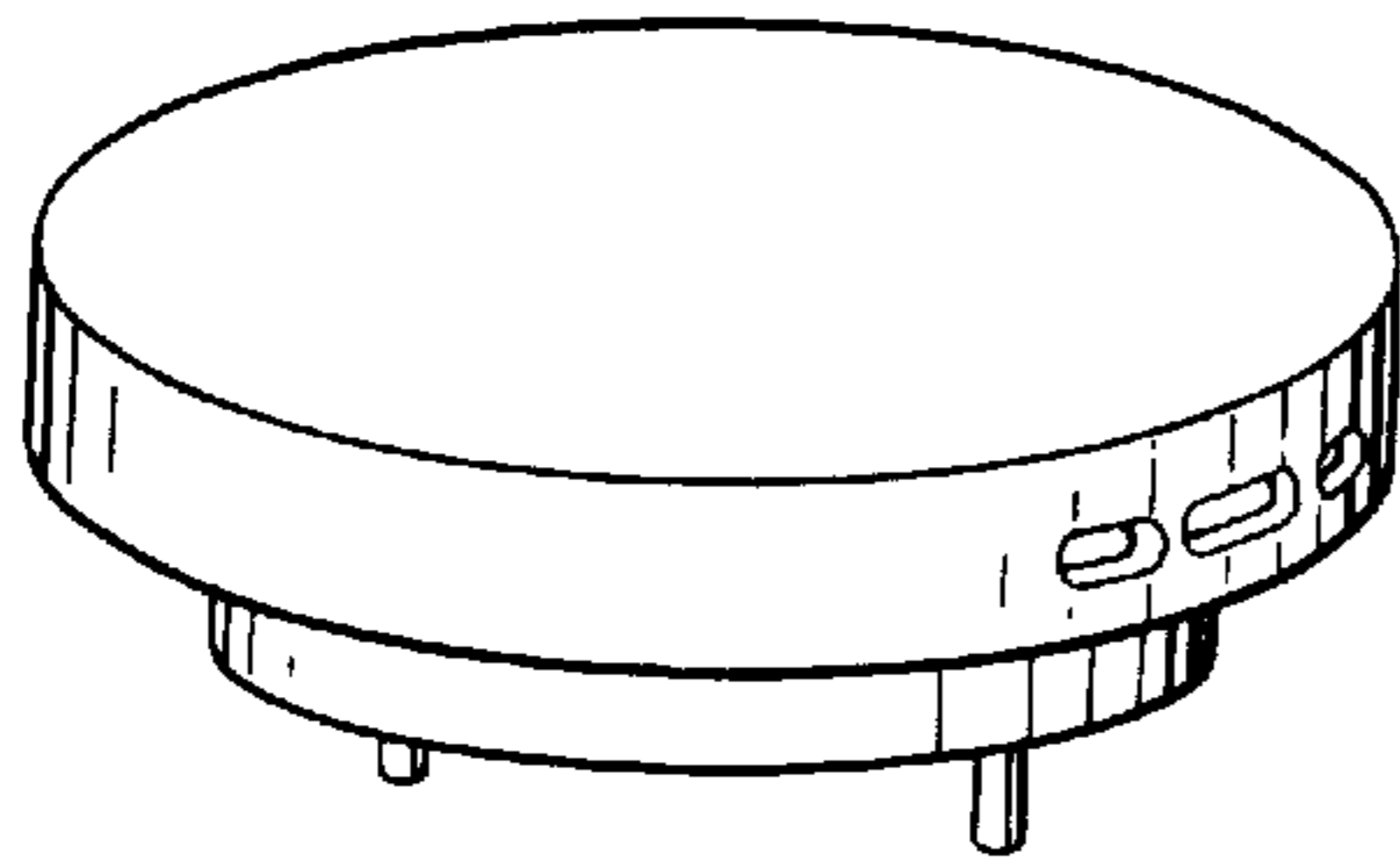


FIG.4

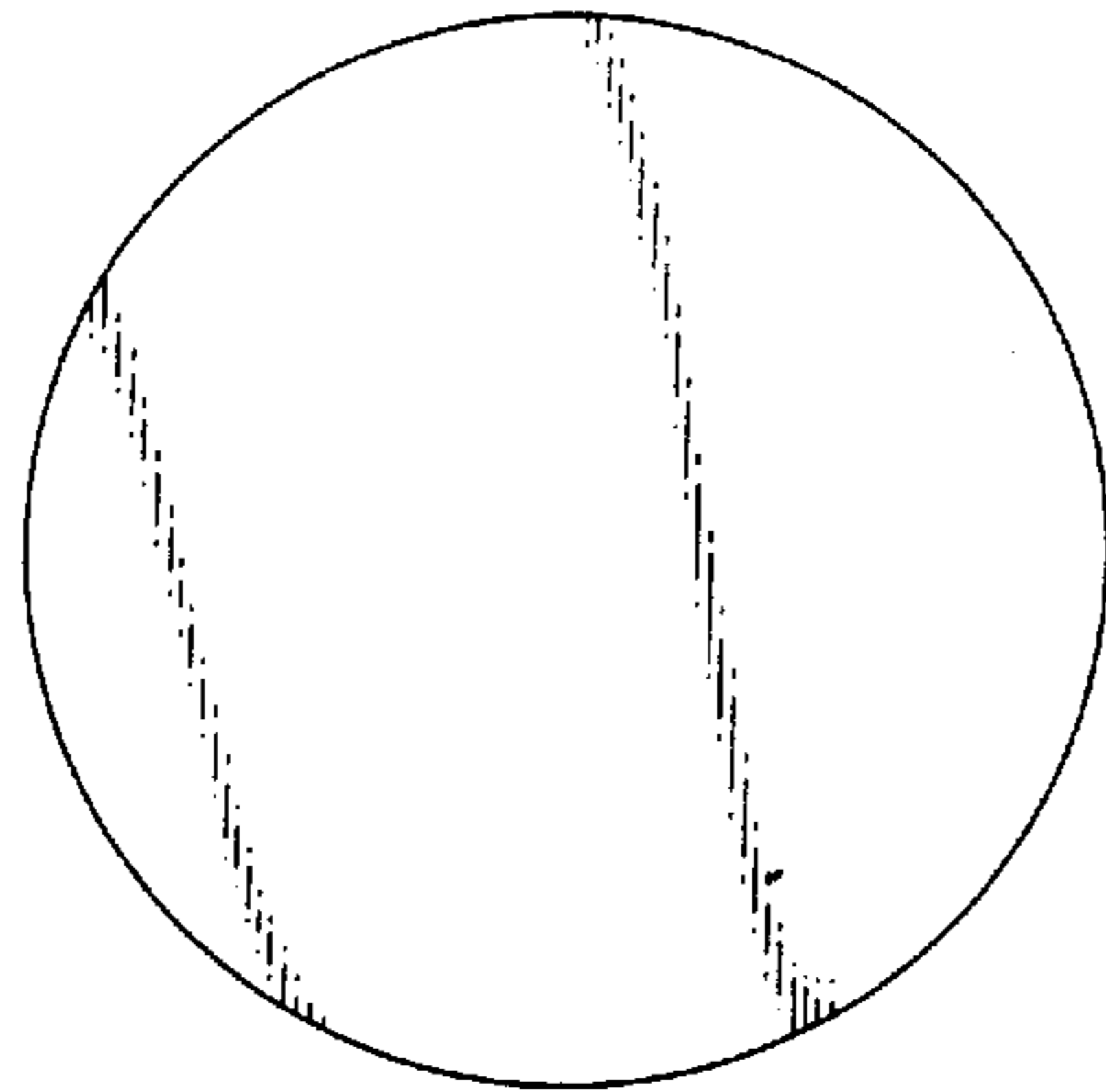


FIG.2

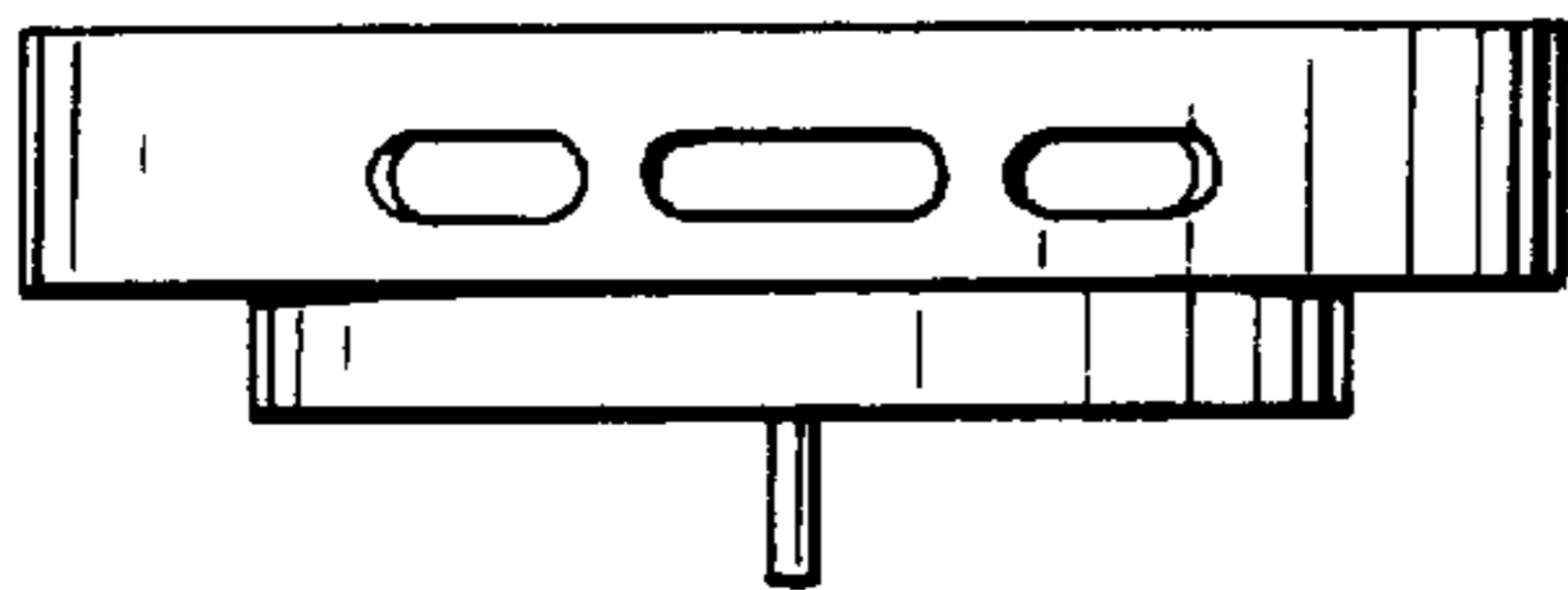


FIG.5

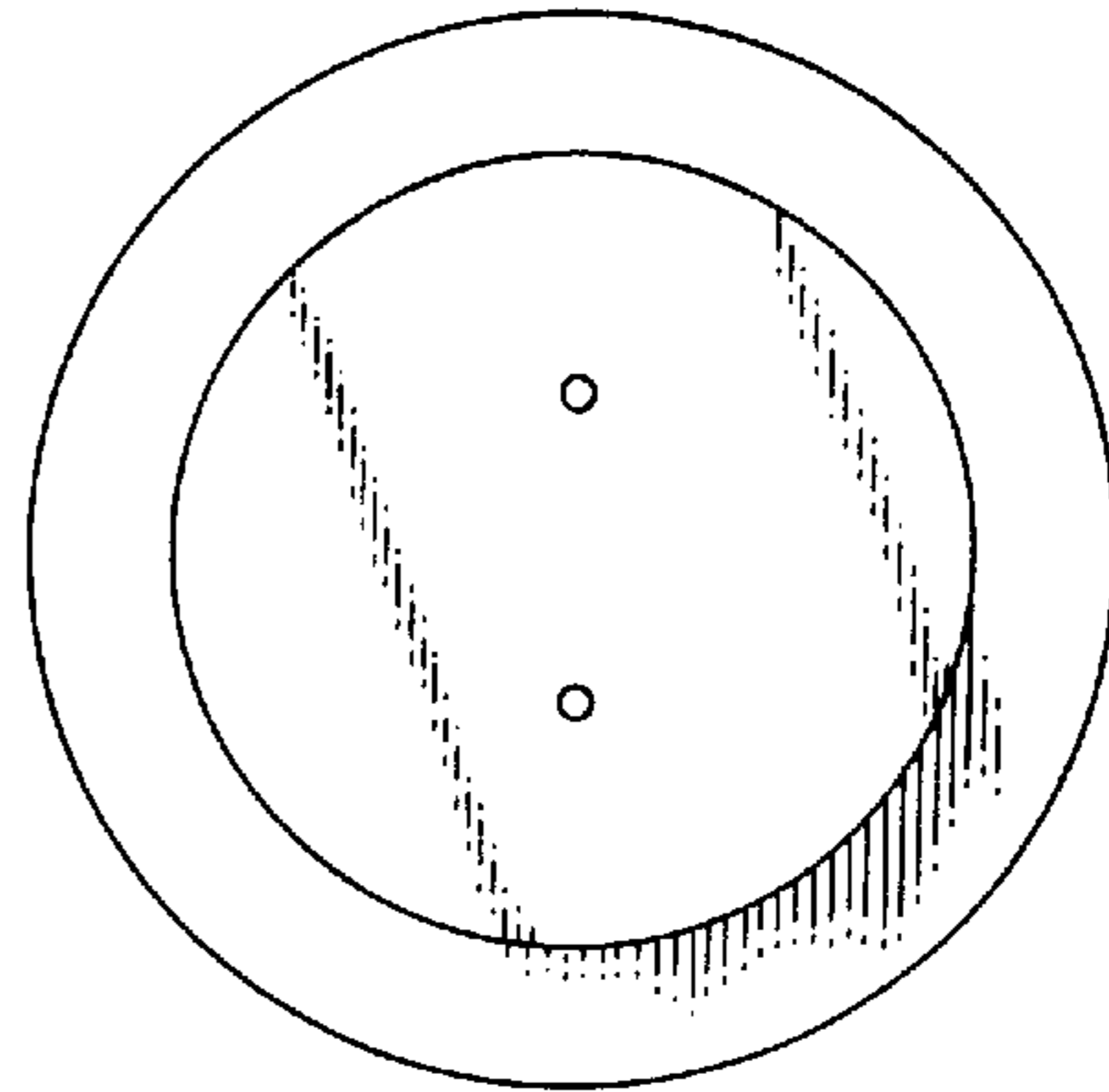


FIG.3

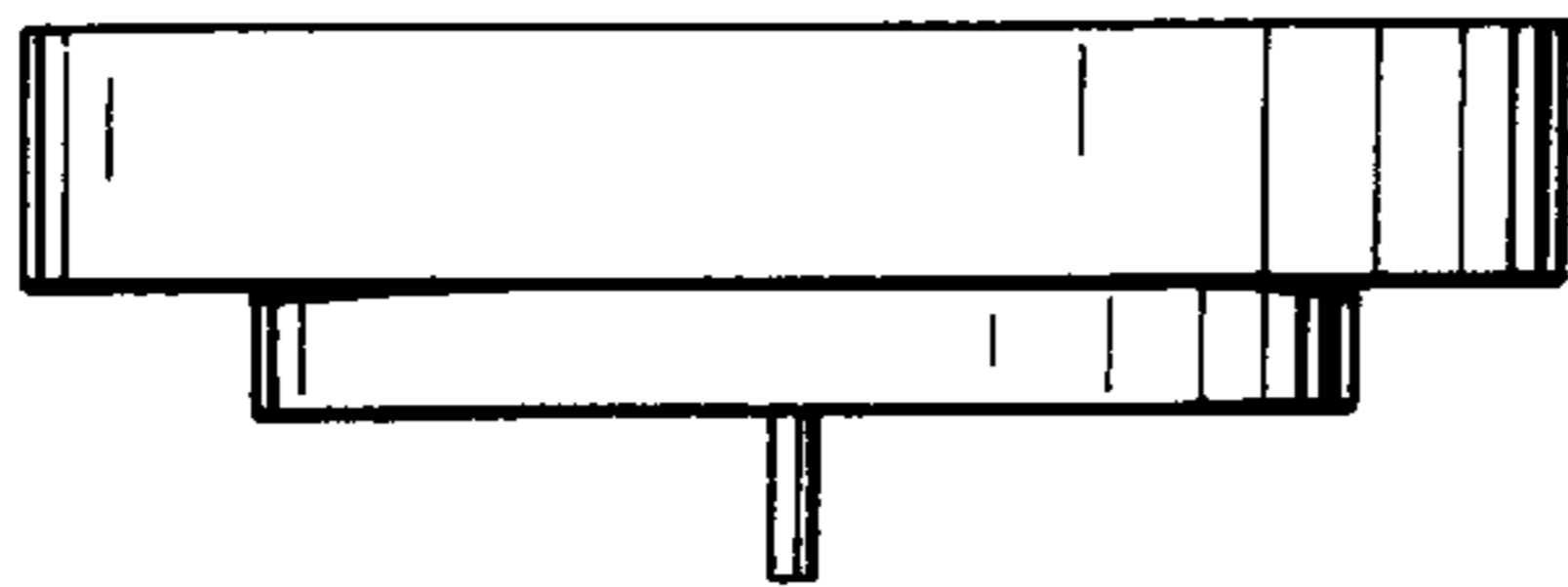


FIG.6

