



US00D440221S

(12) **United States Design Patent**  
**McGurty**

(10) **Patent No.:** **US D440,221 S**

(45) **Date of Patent:** **\*\* Apr. 10, 2001**

(54) **WALL SPEAKER**

4,934,334 \* 6/1990 Breese ..... D8/353  
5,299,766 \* 4/1994 Curtis et al. .... 381/386

(76) Inventor: **Howard J. McGurty**, 163 Center Ridge Rd., DeMossville, KY (US) 41033

\* cited by examiner

(\*\*) Term: **14 Years**

*Primary Examiner*—Nanda Bondade

(74) *Attorney, Agent, or Firm*—Davidson & Gribbell, LLP

(21) Appl. No.: **29/127,744**

(57) **CLAIM**

(22) Filed: **Aug. 11, 2000**

The ornamental design for a wall speaker, as shown and described.

(51) **LOC (7) Cl.** ..... **14-01**

**DESCRIPTION**

(52) **U.S. Cl.** ..... **D14/214; D14/207**

(58) **Field of Search** ..... D14/159, 204, D14/210–216; 181/144–148, 150, 198–199; 381/300–302, 307, 357, 386; D8/350, 352, 353; D13/177; 150/154; 174/66–67; 220/241

FIG. 1 is a top front and left side perspective view of a wall speaker, showing my new design.

FIG. 2 is a front, elevational view thereof.

FIG. 3 is a rear, elevational view thereof.

FIG. 4 is a right-hand side, elevational view thereof.

FIG. 5 is a left-hand side, elevational view thereof.

FIG. 6 is a top, plan view thereof; and,

FIG. 7 is a bottom, plan view thereof.

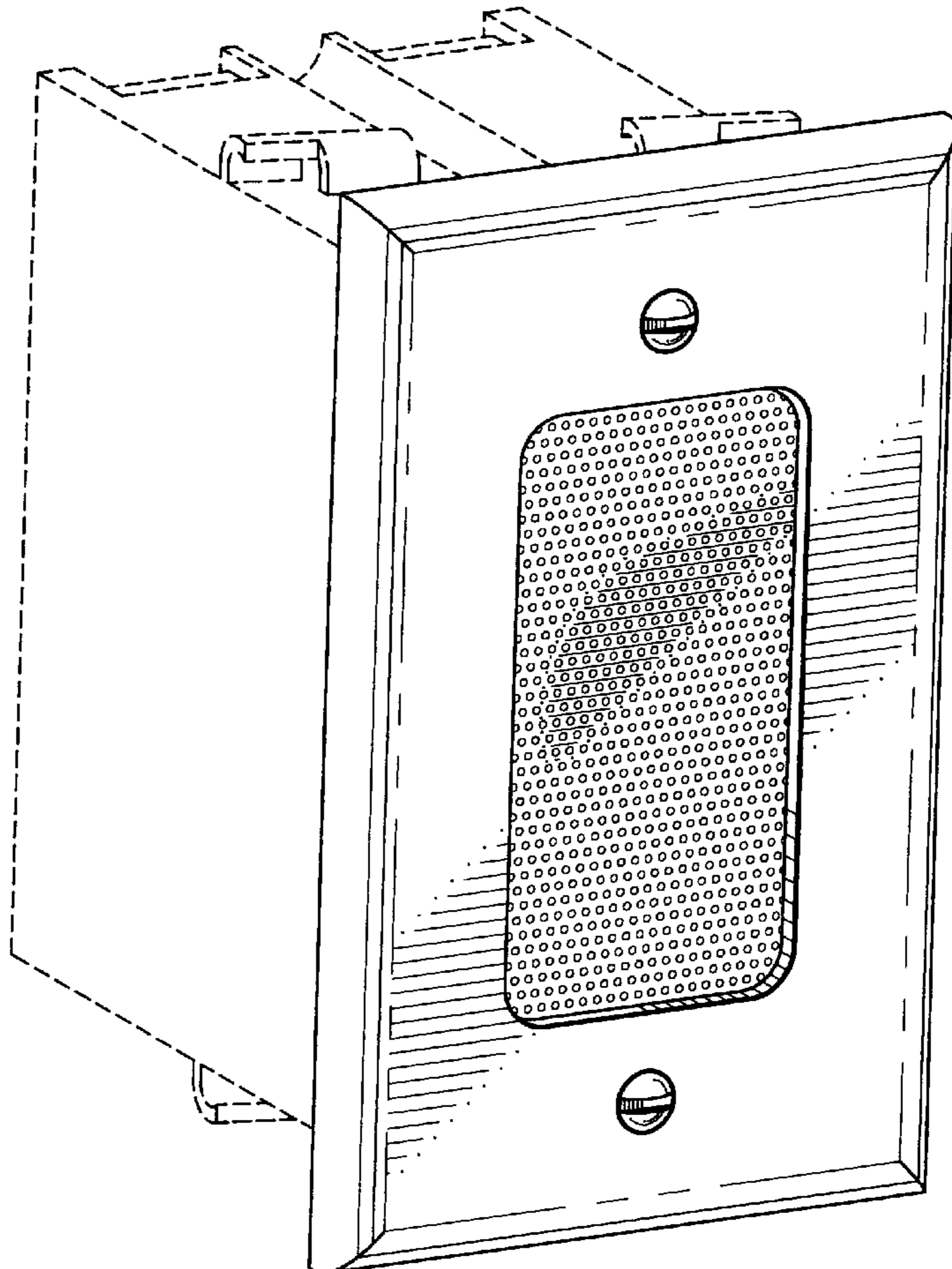
The broken line showing on FIGS. 1 and 3–7 is for illustrative purposes only and forms no part of the claimed design.

(56) **References Cited**

**U.S. PATENT DOCUMENTS**

D. 310,814 \* 9/1990 Rosenbaum et al. .... D8/353  
D. 399,495 \* 10/1998 Bachschmid ..... D13/177  
D. 416,258 \* 11/1999 Tejima ..... D14/214  
D. 429,236 \* 8/2000 Pritchard ..... D14/214  
4,312,458 \* 1/1982 Stewart ..... 220/241

**1 Claim, 4 Drawing Sheets**



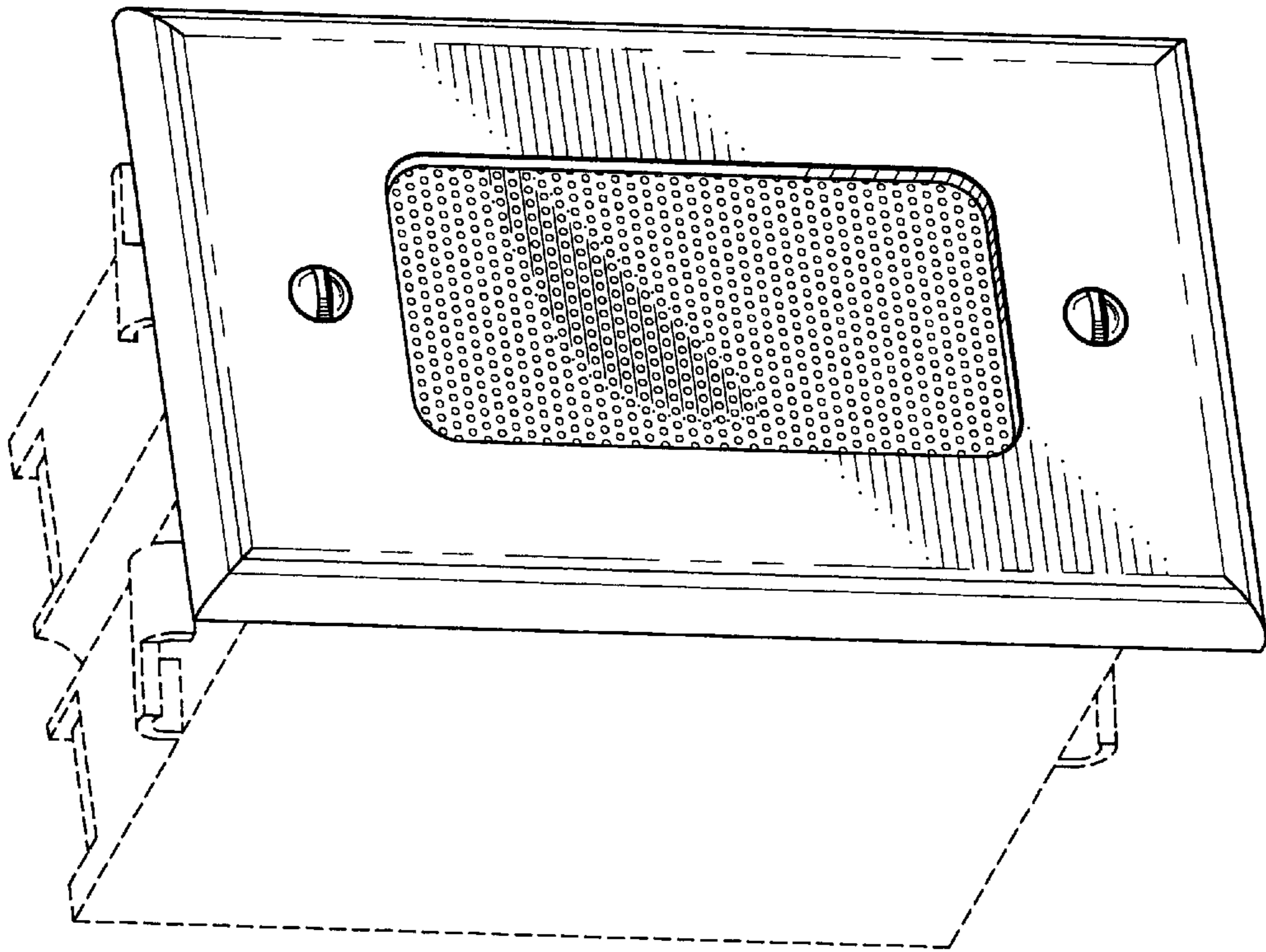


FIG. 1

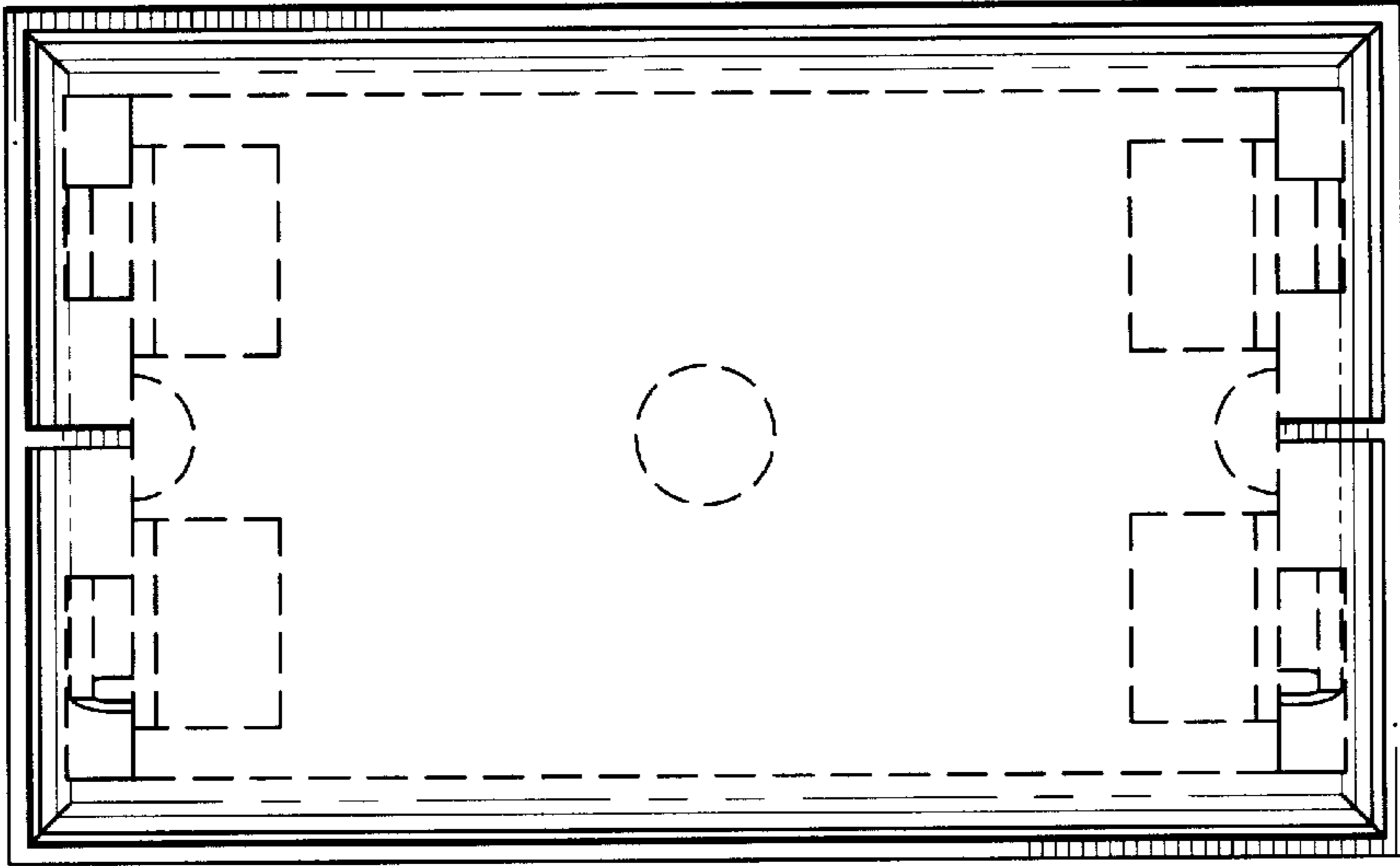


FIG. 3

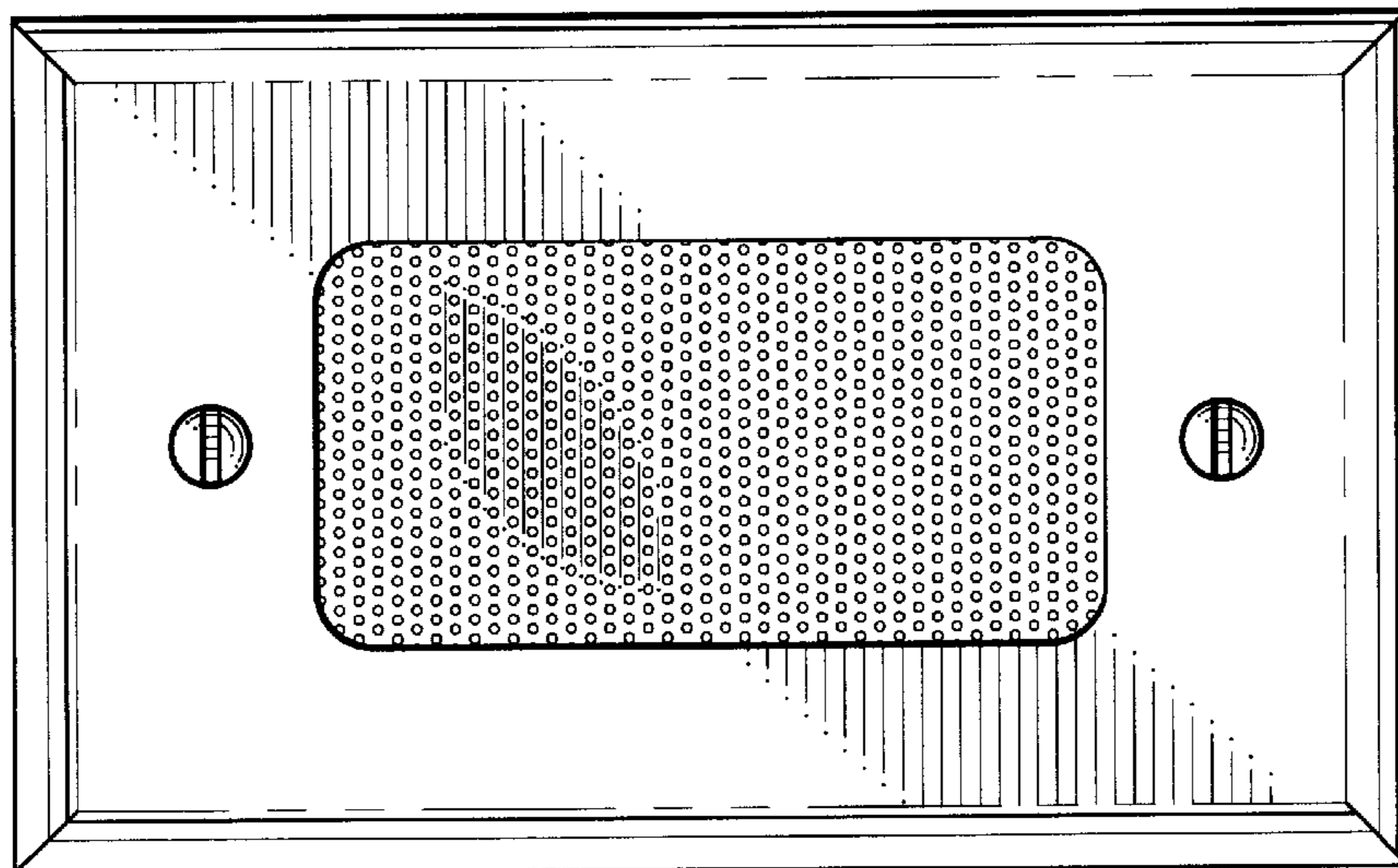


FIG. 2

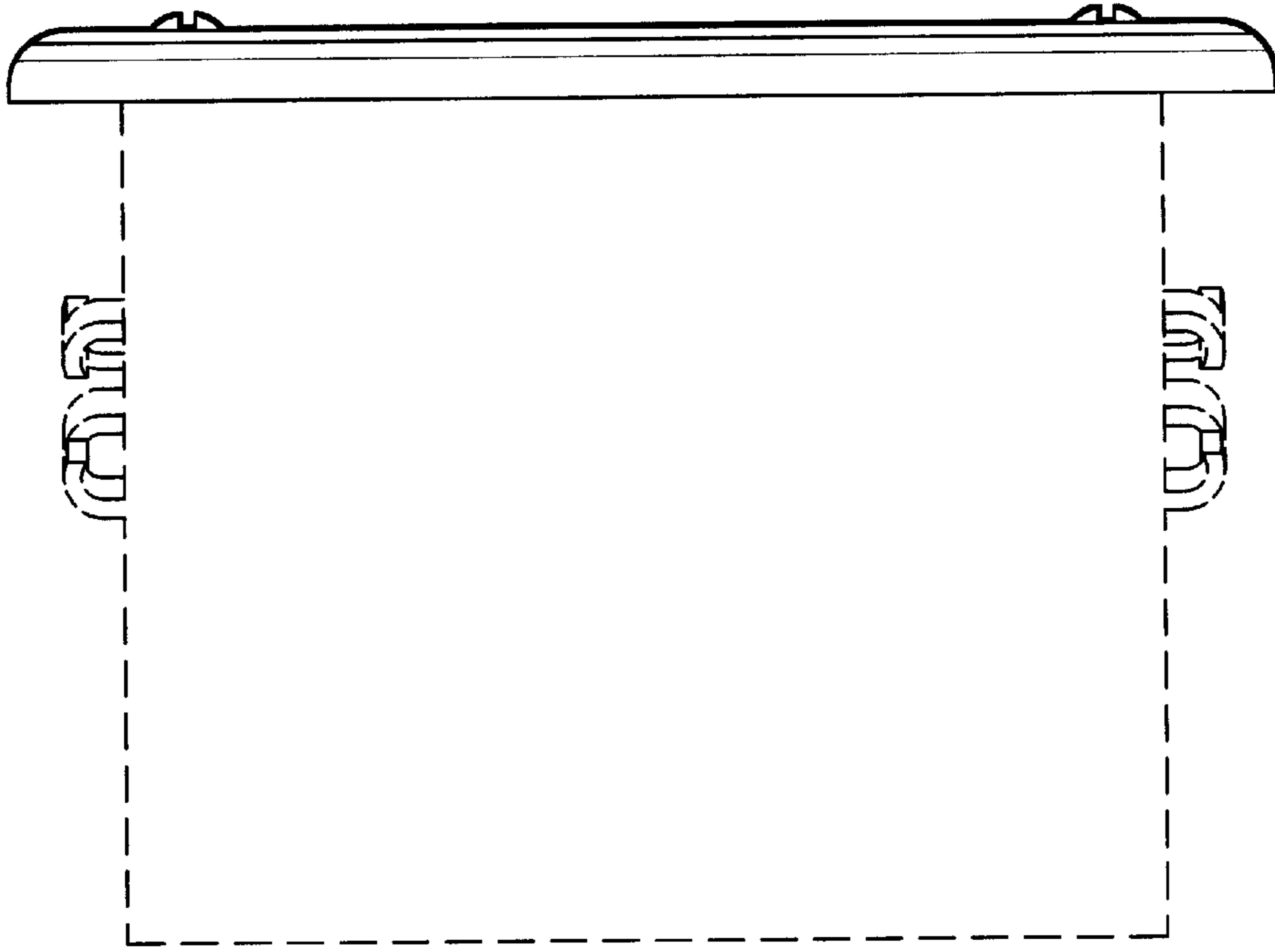


FIG. 5

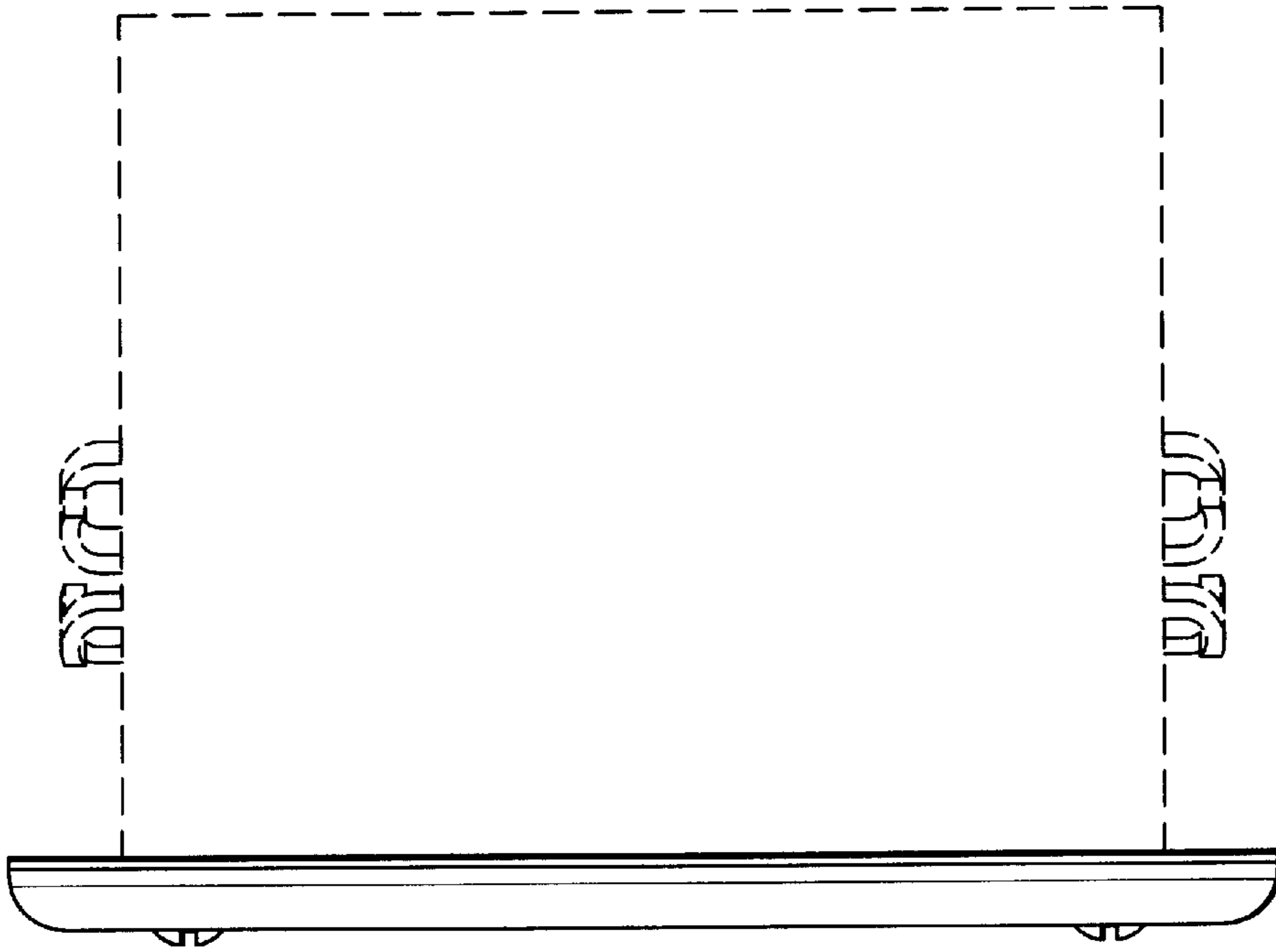


FIG. 4

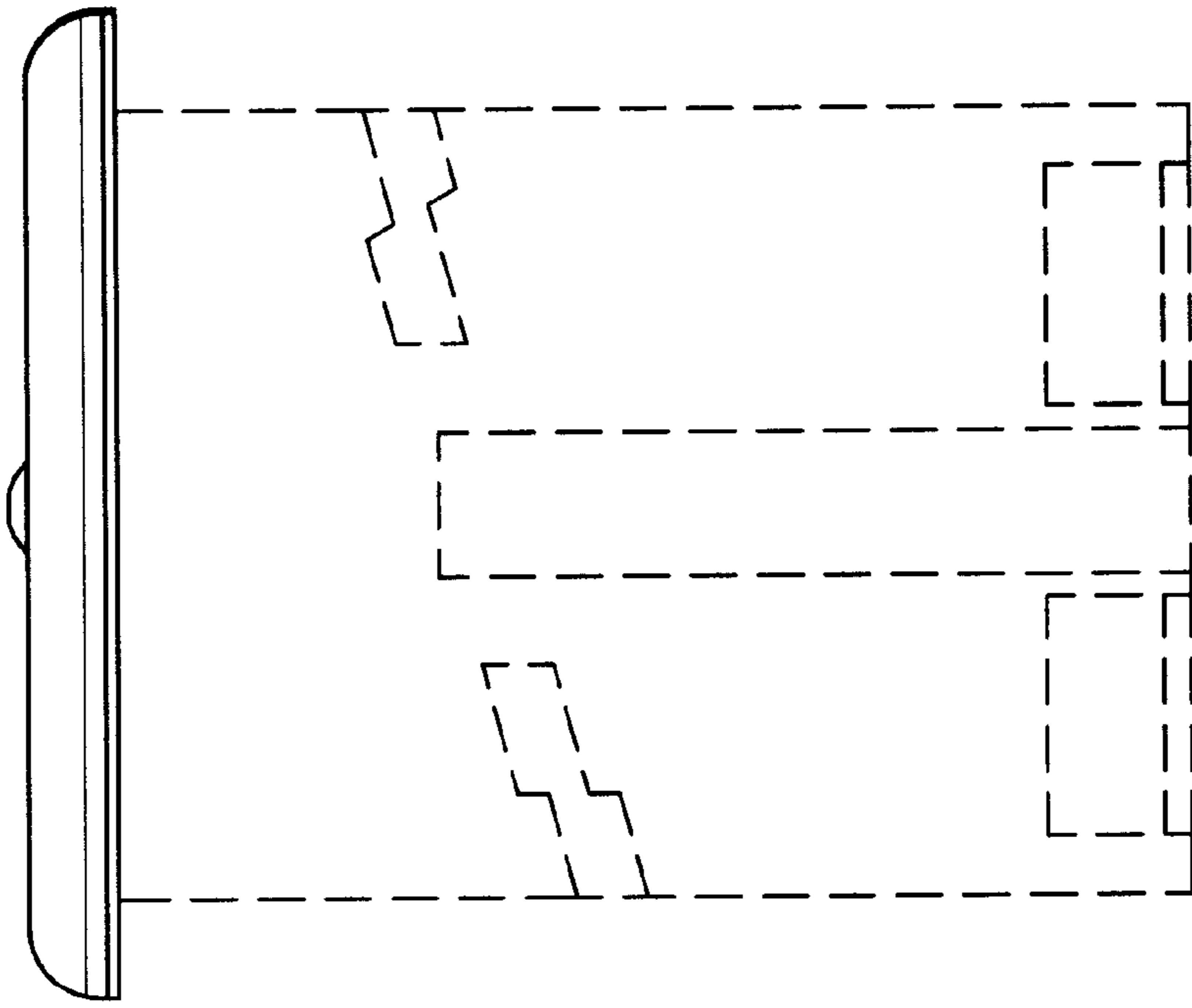


FIG. 7

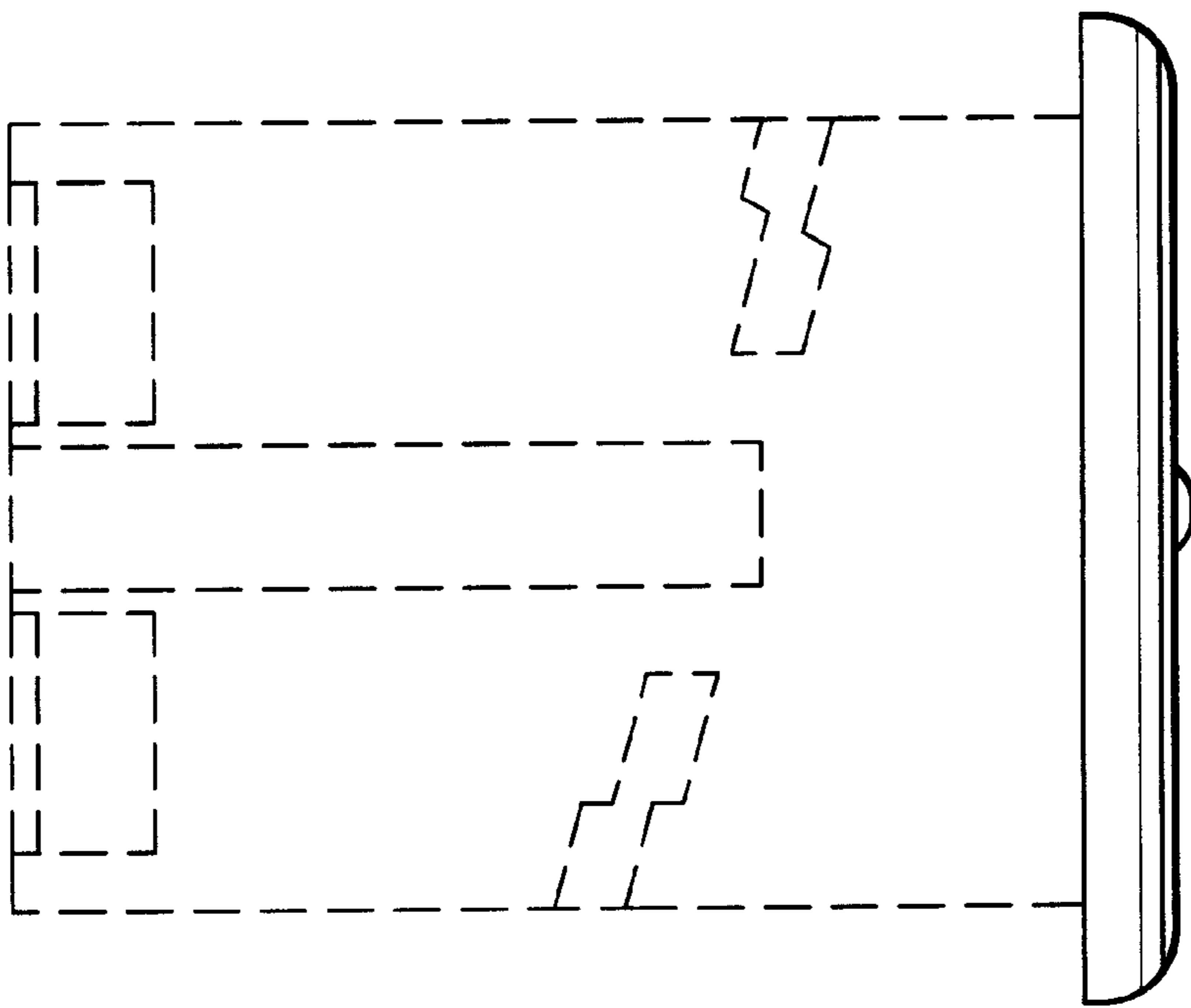


FIG. 6