



US00D440219S

(12) **United States Design Patent**  
**Dysart**

(10) **Patent No.:** **US D440,219 S**

(45) **Date of Patent:** **\*\* Apr. 10, 2001**

(54) **COMPACT DISC/RADIO CONSOLE**

(76) **Inventor:** **Clifford E. Dysart**, 5699 Kanan Rd.,  
#120, Agoura Hills, CA (US) 91301

(\*\*) **Term:** **14 Years**

(21) **Appl. No.:** **29/125,504**

(22) **Filed:** **Jun. 26, 2000**

(51) **LOC (7) Cl.** ..... **14-03**

(52) **U.S. Cl.** ..... **D14/188; D14/156**

(58) **Field of Search** ..... D14/135-136,  
D14/156-157, 160-165, 168, 188, 197-198;  
312/223.1; 369/75.1, 75.2, 77.1, 77.2; 455/344,  
347, 350-351

(56) **References Cited**

**U.S. PATENT DOCUMENTS**

- D. 213,050 \* 12/1968 Hardy ..... D14/198 X
- D. 248,951 \* 8/1978 Imazeki ..... D14/197
- D. 259,880 \* 7/1981 Iwata ..... D14/157
- D. 270,531 \* 9/1983 Ekuan ..... D14/156 X

- D. 321,189 \* 10/1991 Ito et al. .... D14/156
- D. 360,368 \* 7/1995 Pickett et al. .... D14/197 X
- 5,076,461 \* 12/1991 Nichols ..... 312/223.1

\* cited by examiner

*Primary Examiner*—Nanda Bondade

(74) *Attorney, Agent, or Firm*—Jack C. Munro

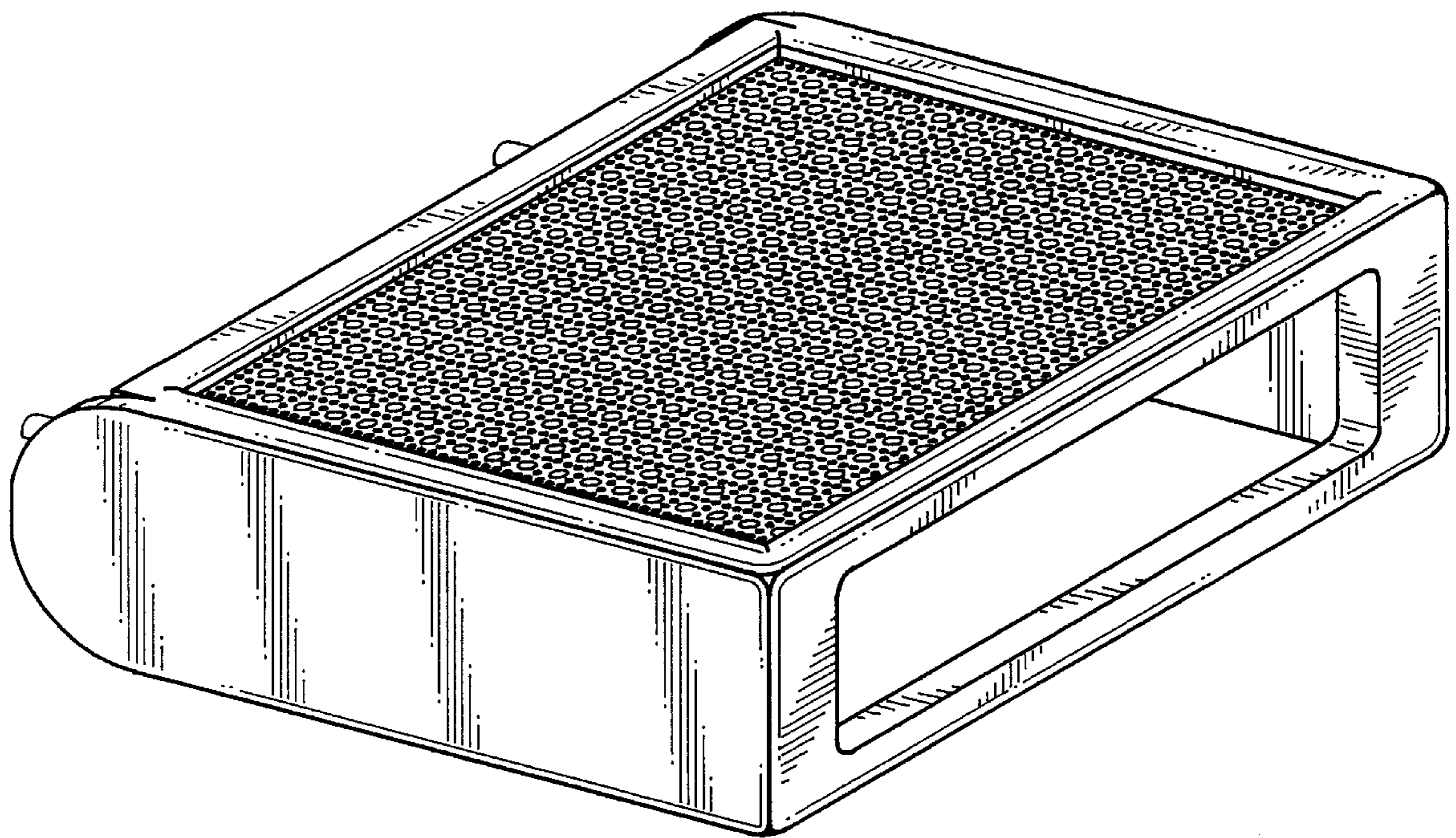
(57) **CLAIM**

The ornamental design for compact disc/radio console, as shown and described.

**DESCRIPTION**

FIG. 1 is a front isometric view of the compact disc/radio console showing my design;  
 FIG. 2 is a front elevational view thereof;  
 FIG. 3 is a top plan view thereof;  
 FIG. 4 is a back elevational view thereof;  
 FIG. 5 is a right side elevational view thereof with the left side being identical but reversed; and,  
 FIG. 6 is a bottom plan view thereof.

**1 Claim, 3 Drawing Sheets**



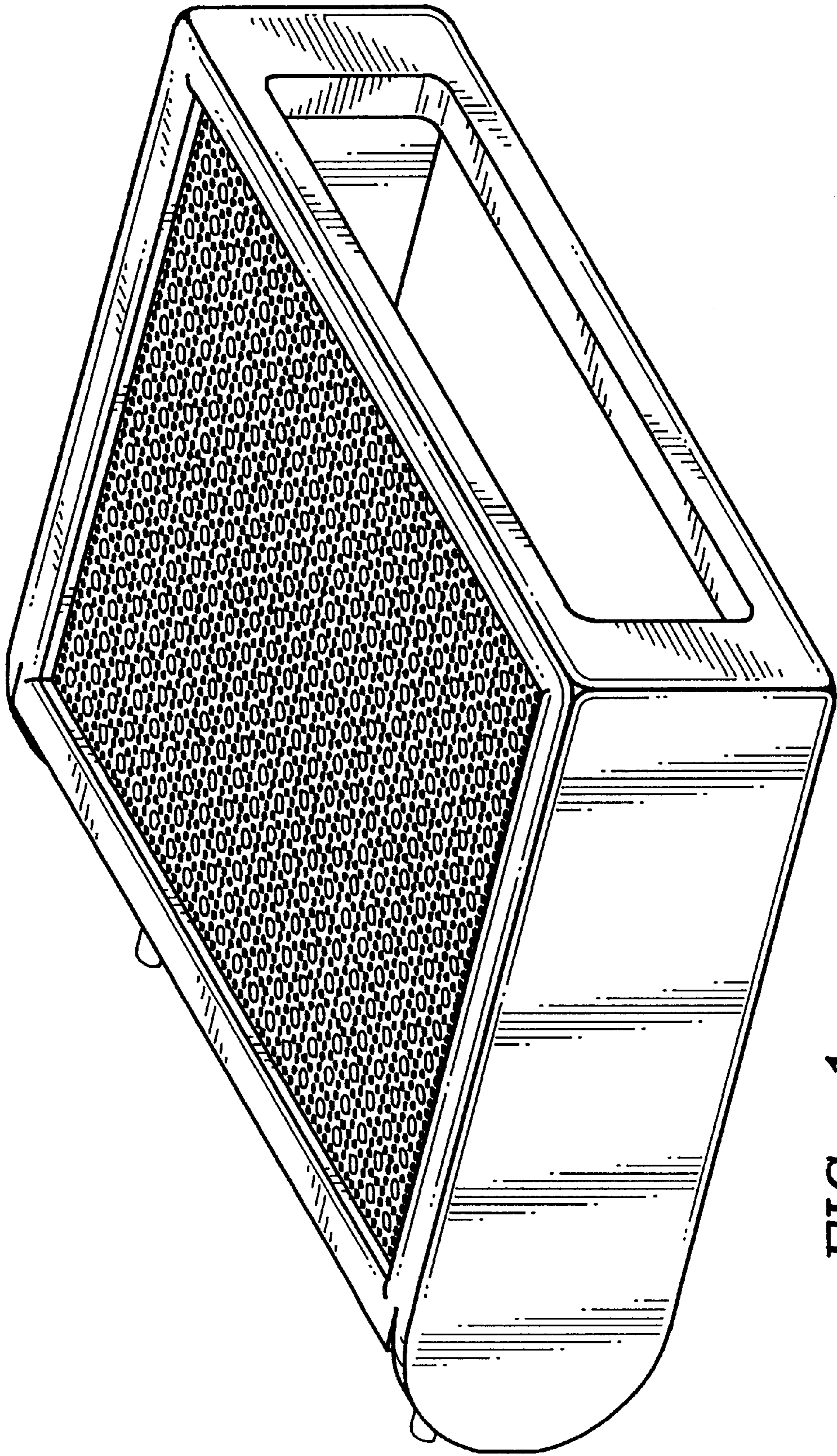


FIG. 1

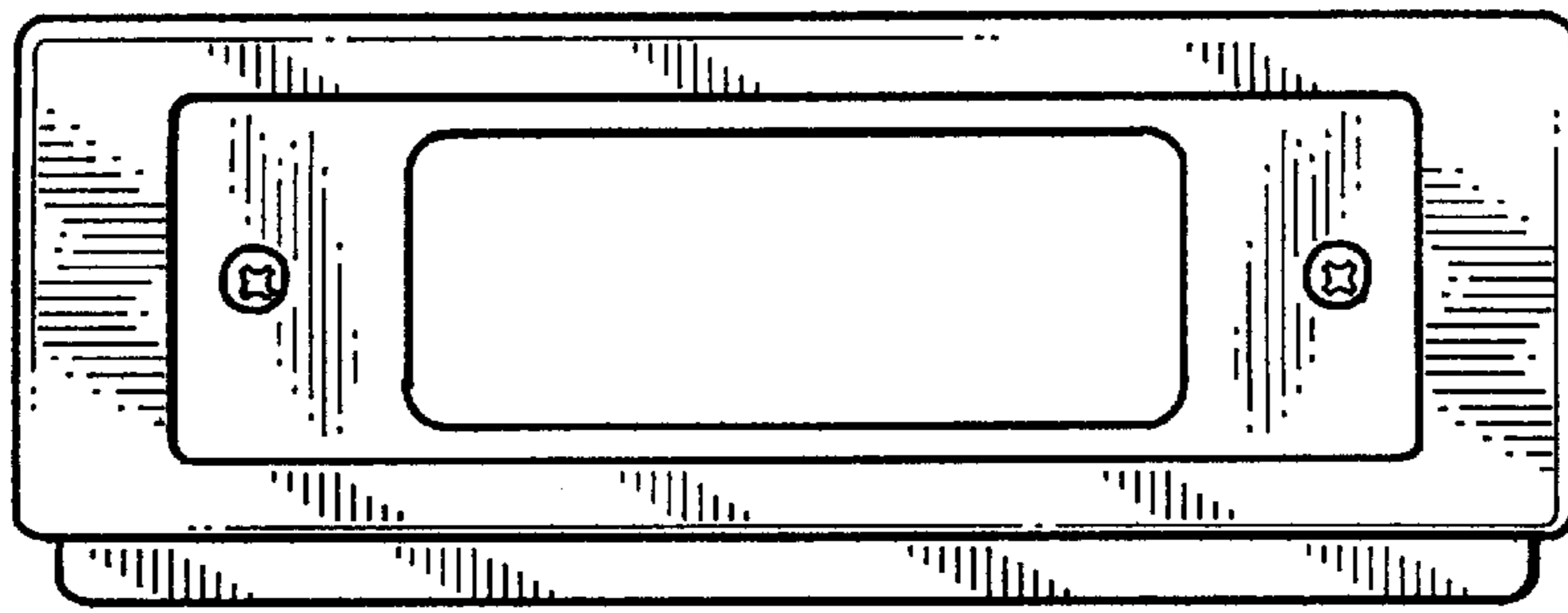


FIG. 2

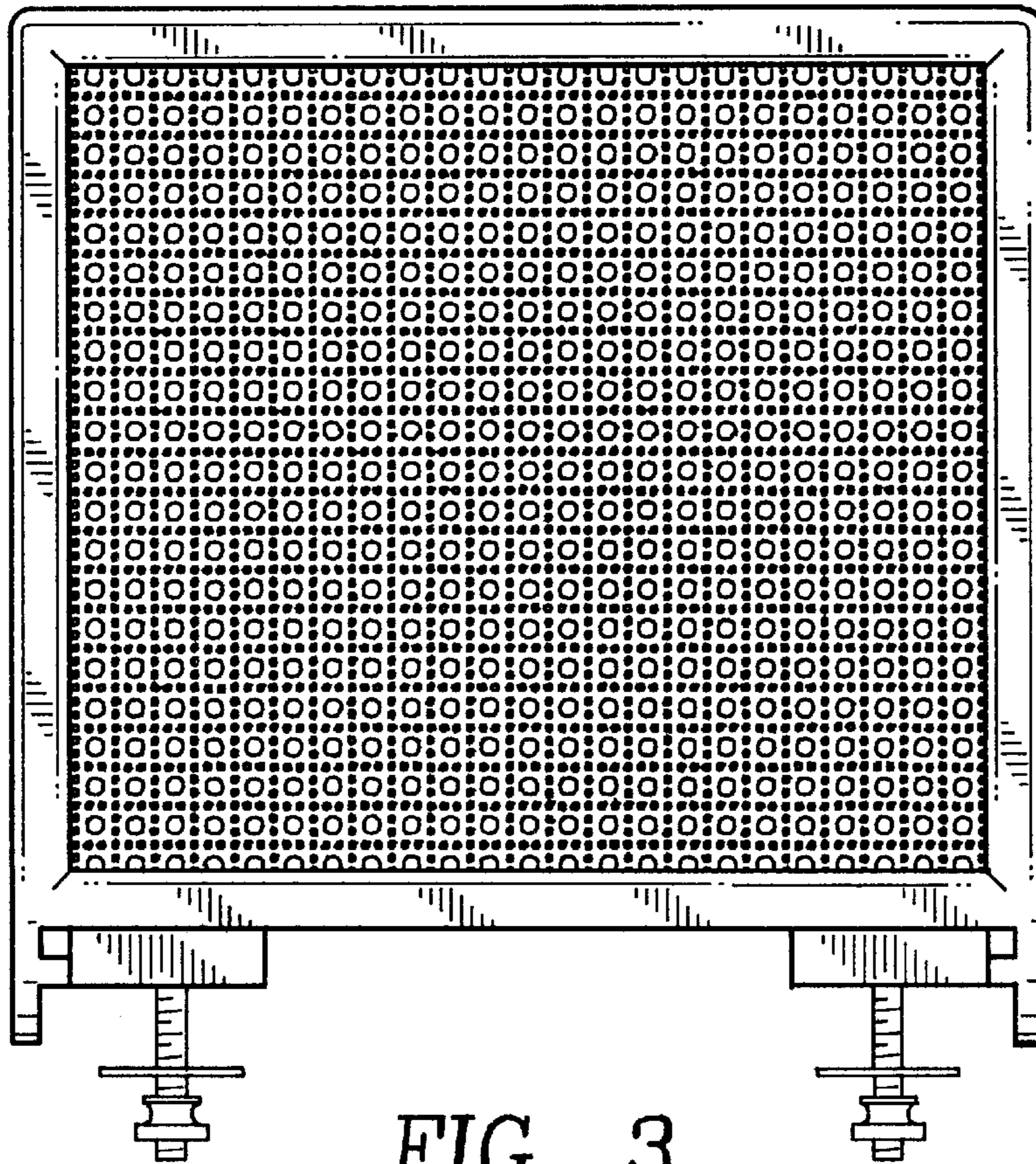


FIG. 3

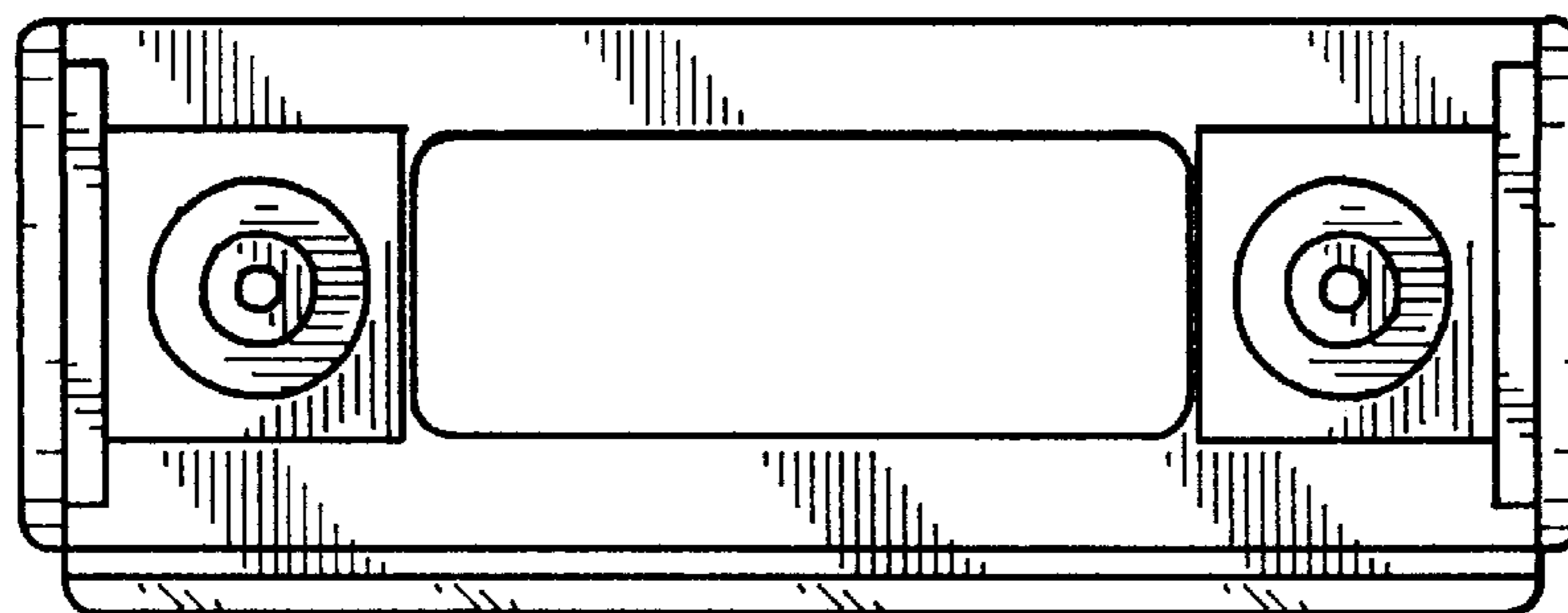


FIG. 4

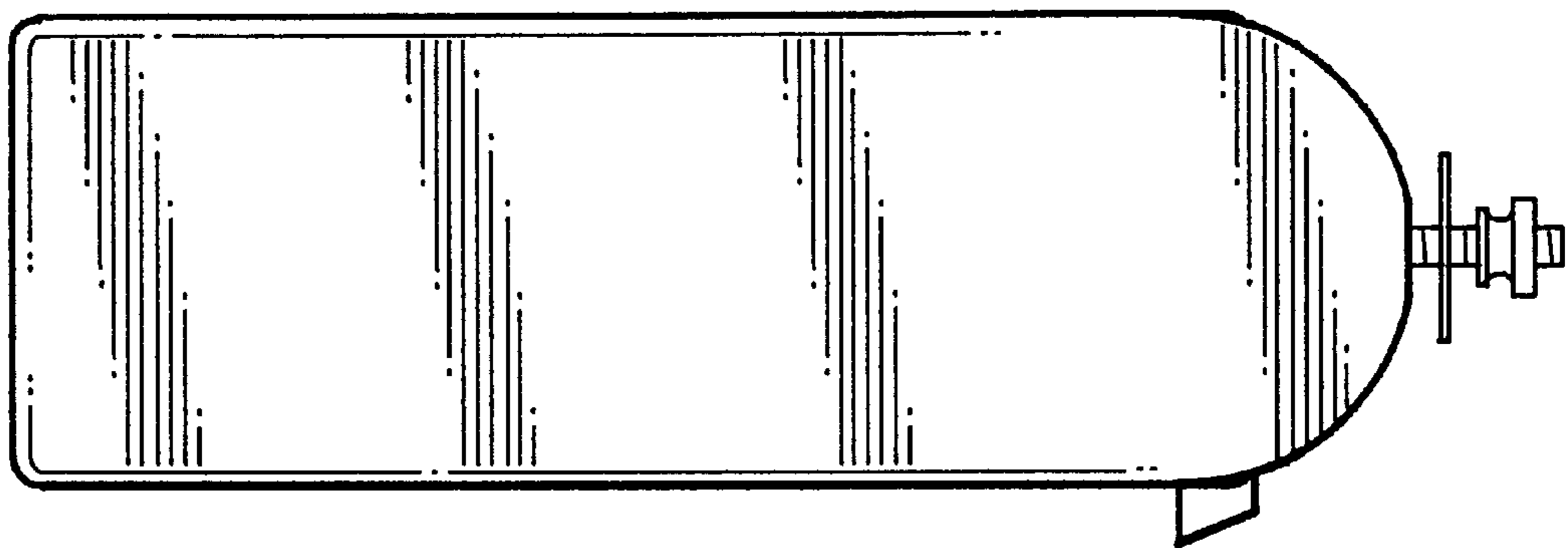


FIG. 5

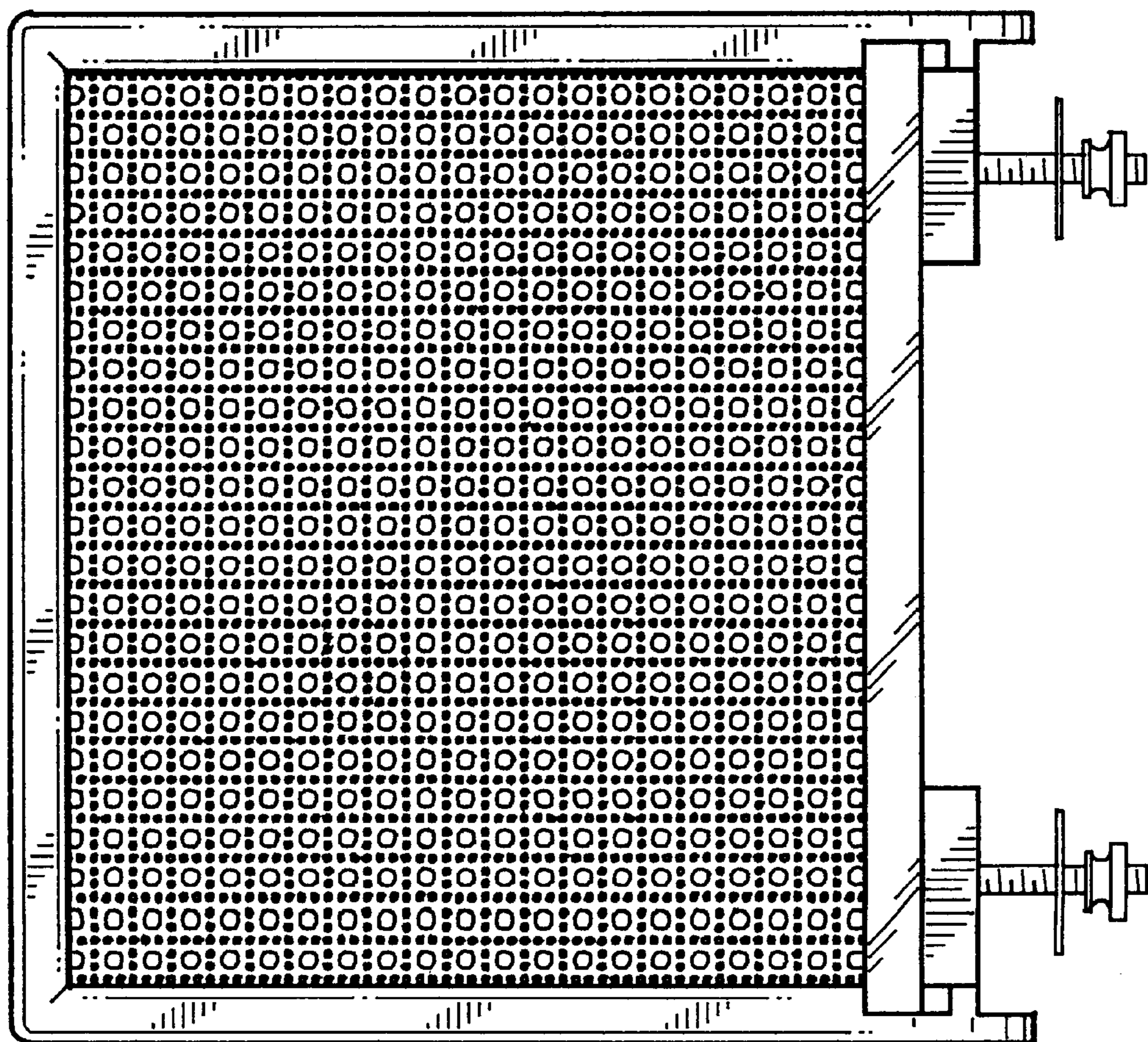


FIG. 6