



US00D440218S

(12) **United States Design Patent**
Myers

(10) **Patent No.:** **US D440,218 S**

(45) **Date of Patent:** **** *Apr. 10, 2001**

(54) **AUDIO AMPLIFIER HAVING A
COVER-MOUNTED LCD/LED GRAPHICAL
DISPLAY AND REMOTE CONTROL**

D. 349,119 * 7/1994 Eberle et al. D14/188 X
D. 355,654 * 2/1995 Koulopoulos D14/188
D. 379,174 * 5/1997 Kornblum D14/188 X

(76) **Inventor:** **Elyas Myers**, 4480 Pacific Blvd.,
Vernon, CA (US) 90058

* cited by examiner

Primary Examiner—Nanda Bondade

(*) **Notice:** This patent is subject to a terminal dis-
claimer.

(74) *Attorney, Agent, or Firm*—Beehler & Pavitt; William
H. Pavitt; David A. Belasco

(**) **Term:** **14 Years**

(57) **CLAIM**

(21) **Appl. No.:** **29/103,811**

The ornamental design for an audio amplifier having a
cover-mounted LCD/LED graphical display and remote
control, as shown and described.

(22) **Filed:** **Apr. 22, 1999**

DESCRIPTION

(51) **LOC (7) Cl.** **14-03**

FIG. 1 is a perspective view of an audio amplifier having a
cover-mounted LCD/LED graphical display and remote
control showing my new design;

(52) **U.S. Cl.** **D14/188; D14/218**

FIG. 2 is an enlarged top plan view of the remote control,
shown separately for clarity of illustration;

(58) **Field of Search** D13/179-184;

D14/124, 168, 188, 189, 197-198, 217,
218, 265, 299; 455/344, 345, 347, 350,
351

FIG. 3 is a top plan view of FIG. 1;

FIG. 4 is a front elevation view thereof;

FIG. 5 is a left side elevation view thereof;

FIG. 6 is a right side elevation view thereof;

FIG. 7 is a bottom plan view thereof; and,

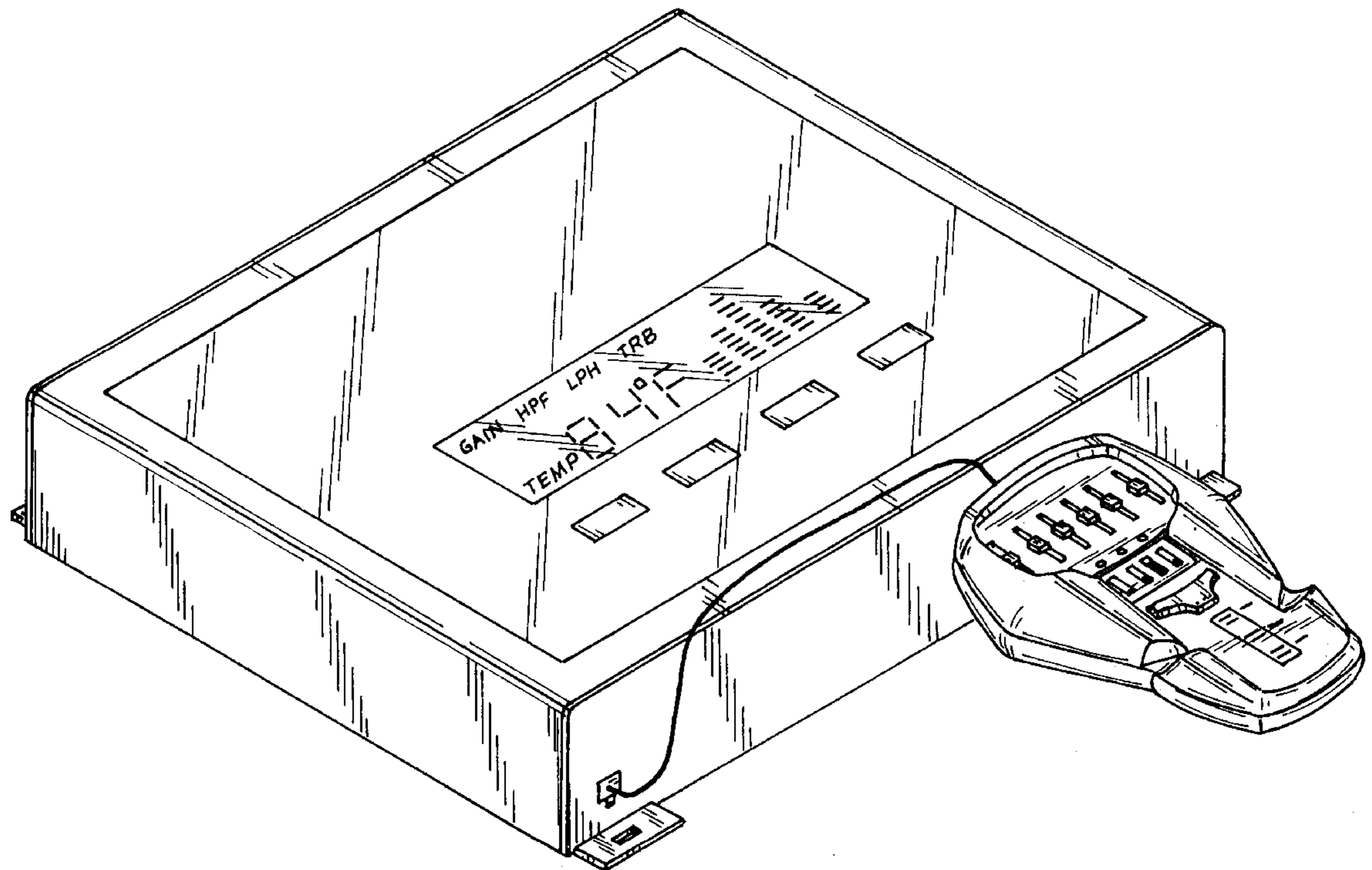
FIG. 8 is a rear elevation view thereof.

(56) **References Cited**

U.S. PATENT DOCUMENTS

D. 185,741 * 7/1959 De Jager D14/218
D. 259,722 * 6/1981 Fuller et al. D14/197
D. 343,394 * 1/1994 Kakizaki D14/188

1 Claim, 5 Drawing Sheets



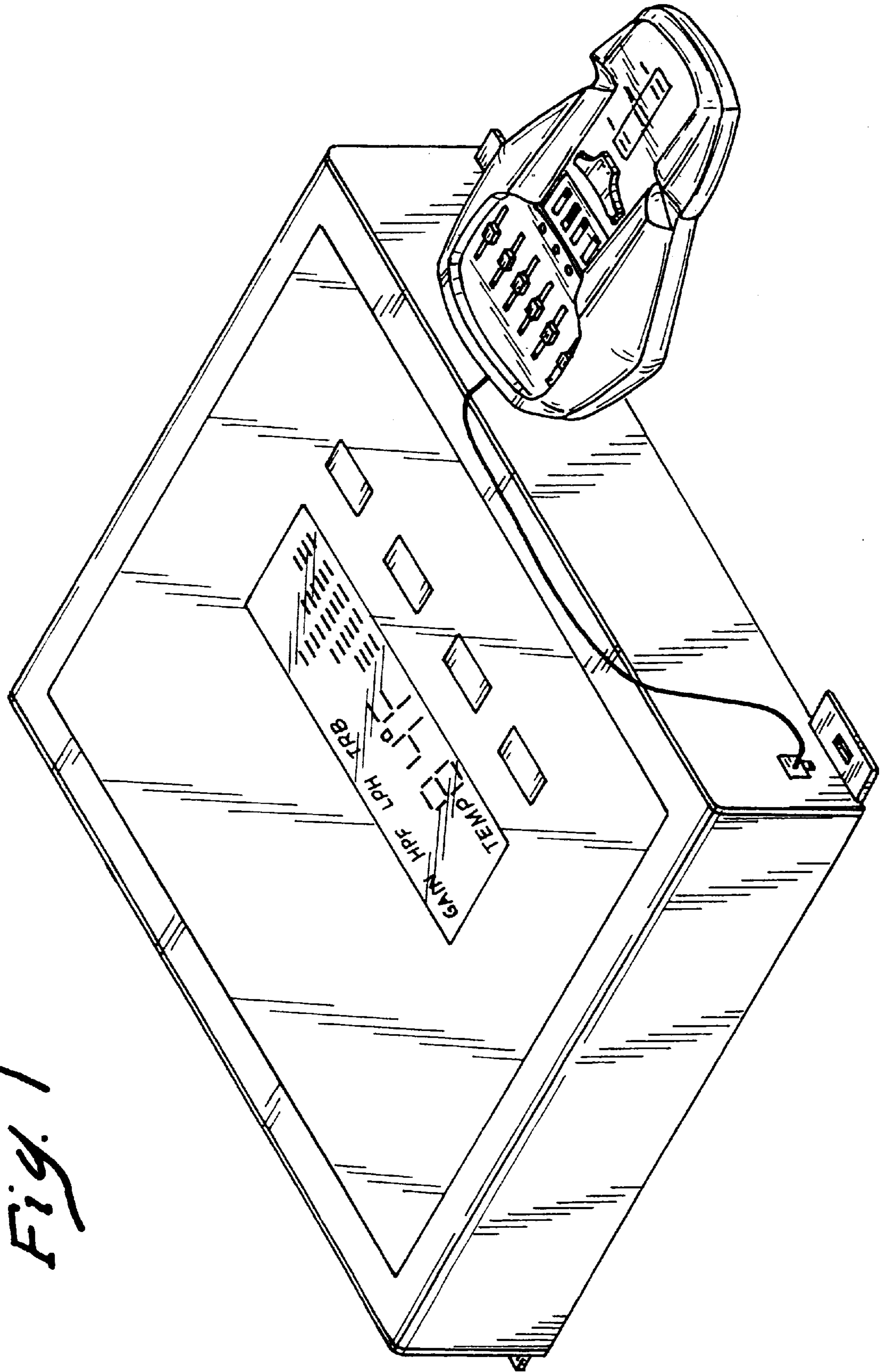


Fig. 1

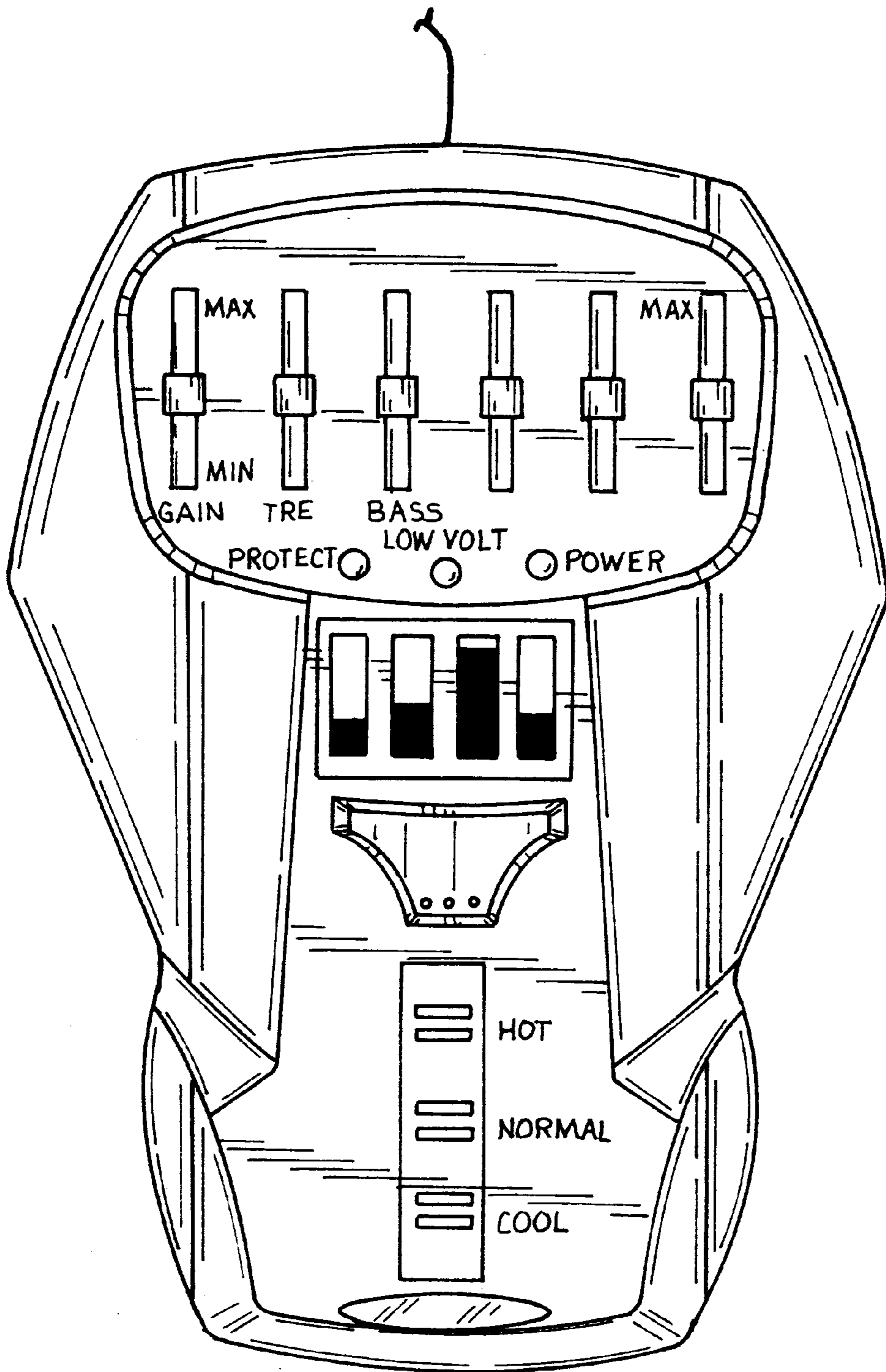


Fig. 2

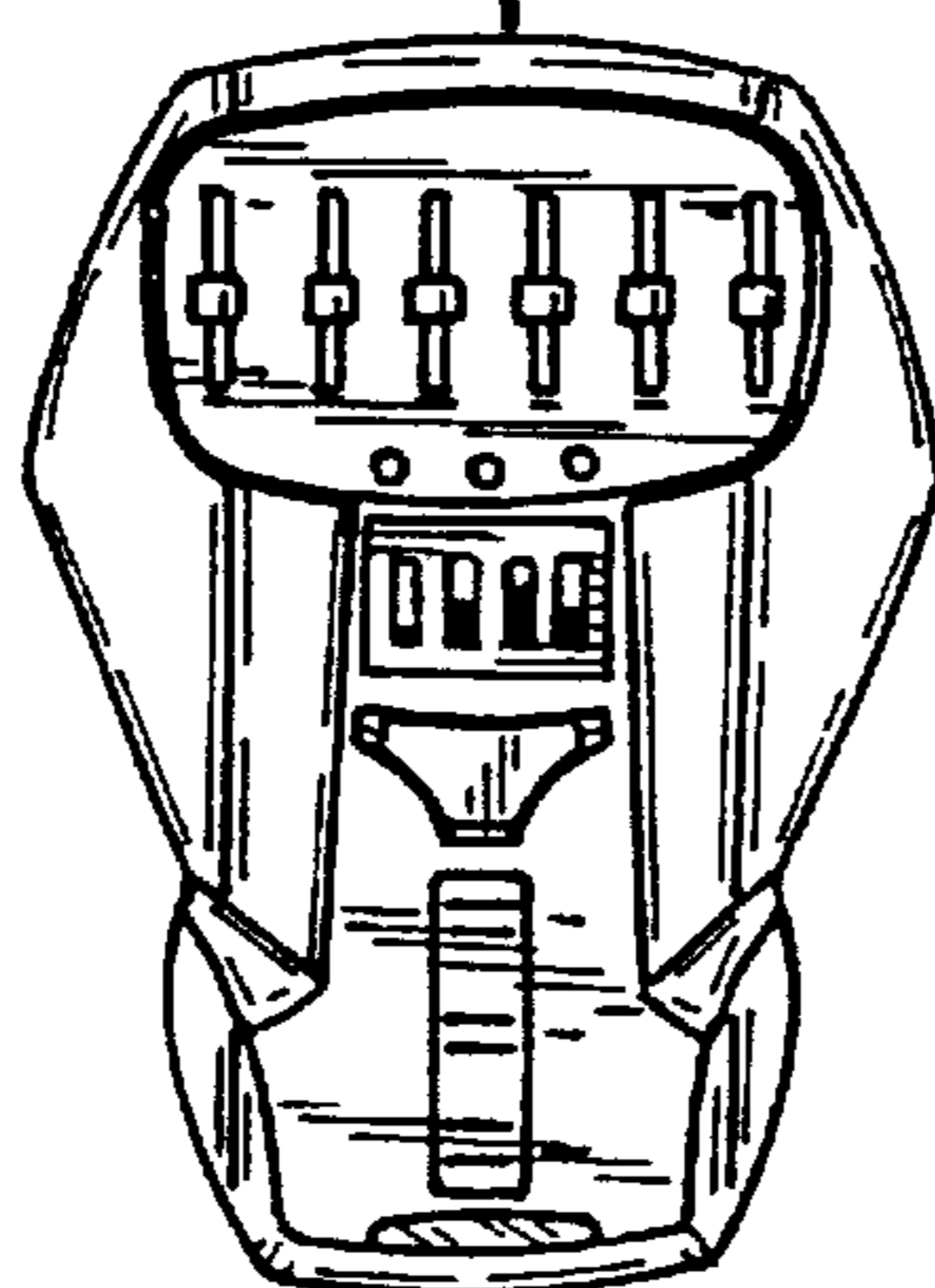
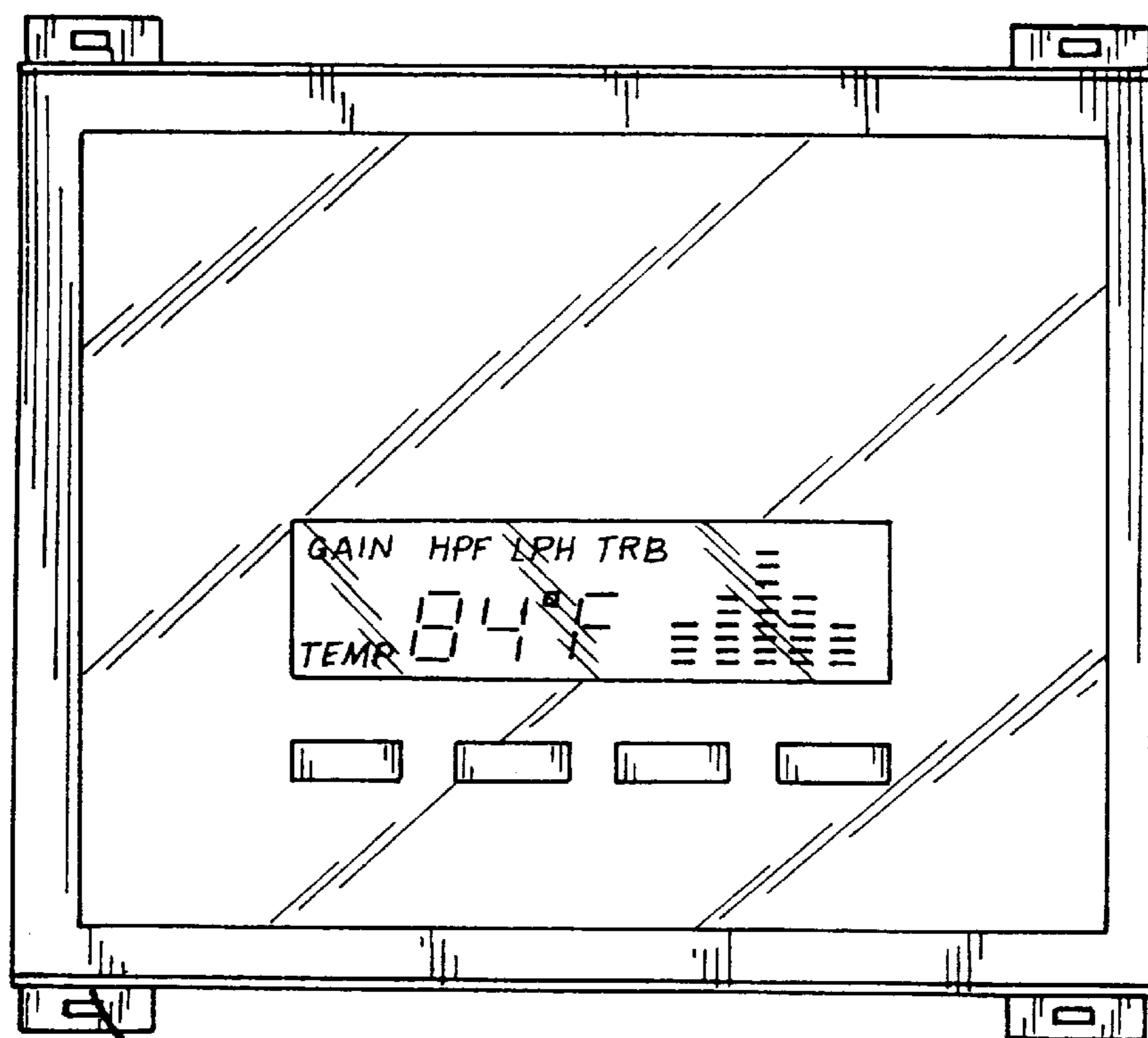


Fig. 3

Fig. 4

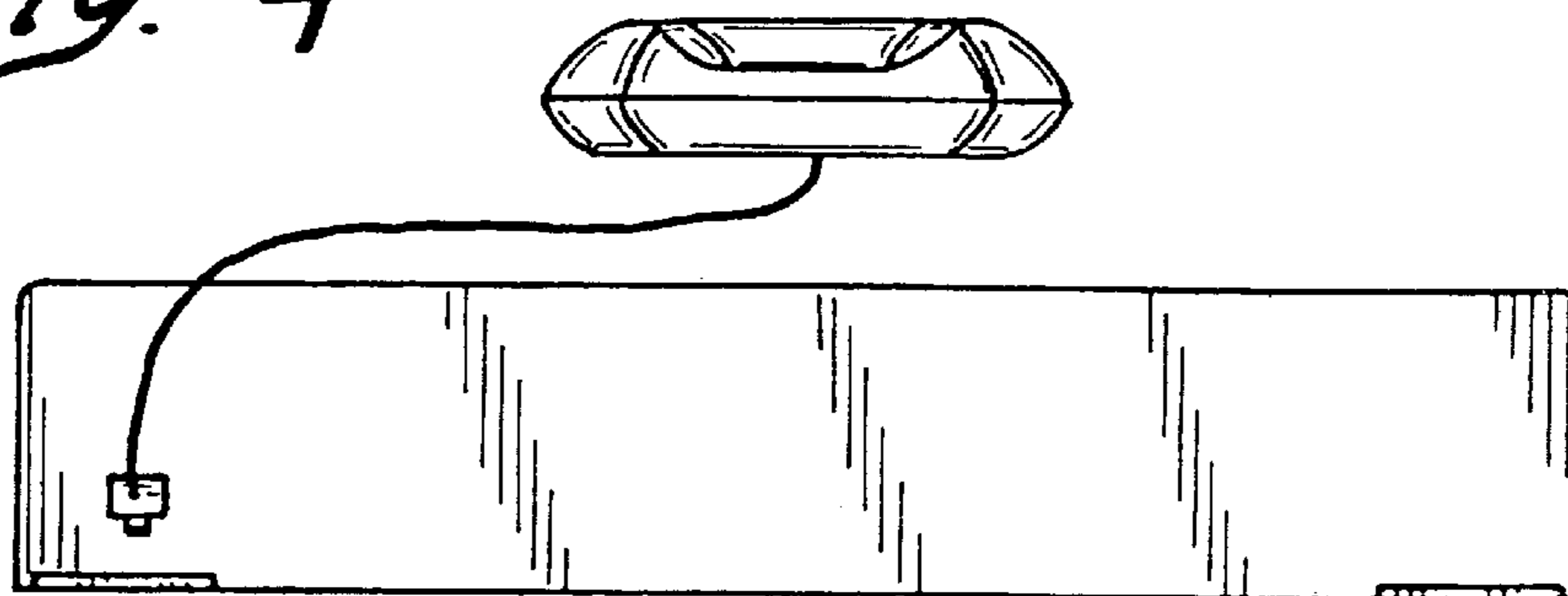


Fig. 5

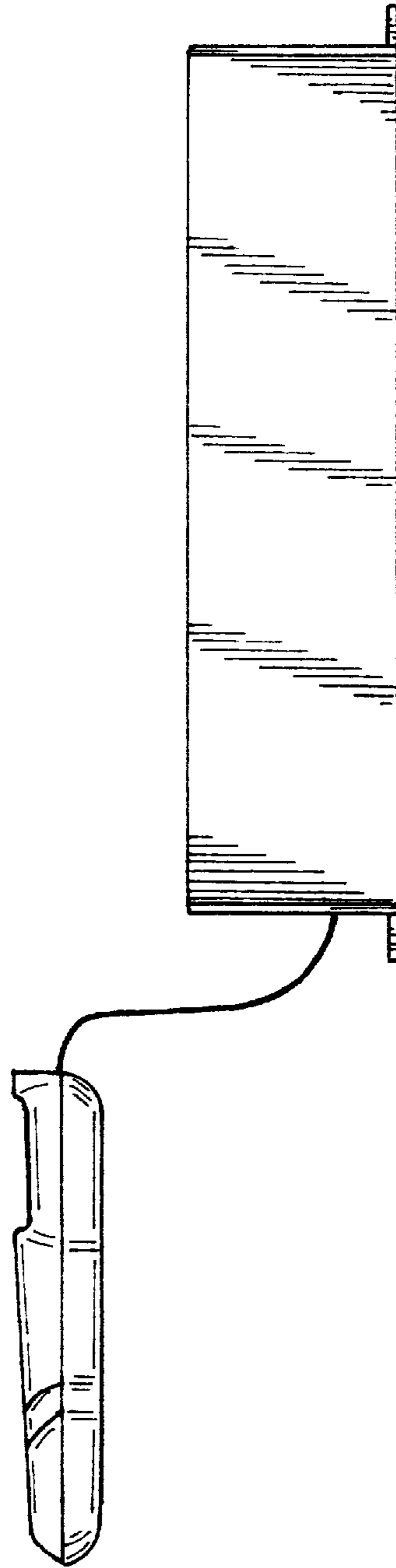
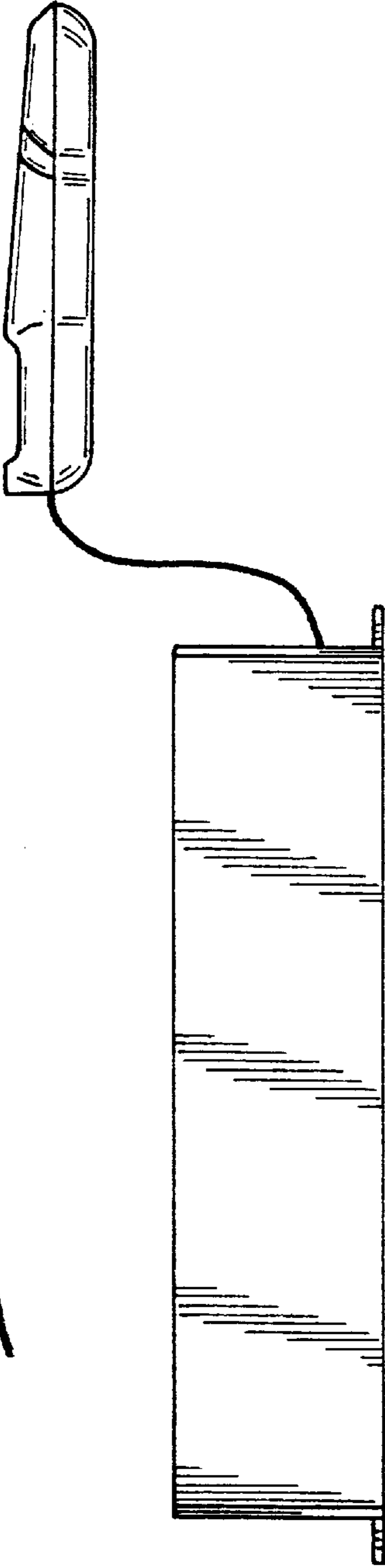


Fig. 6

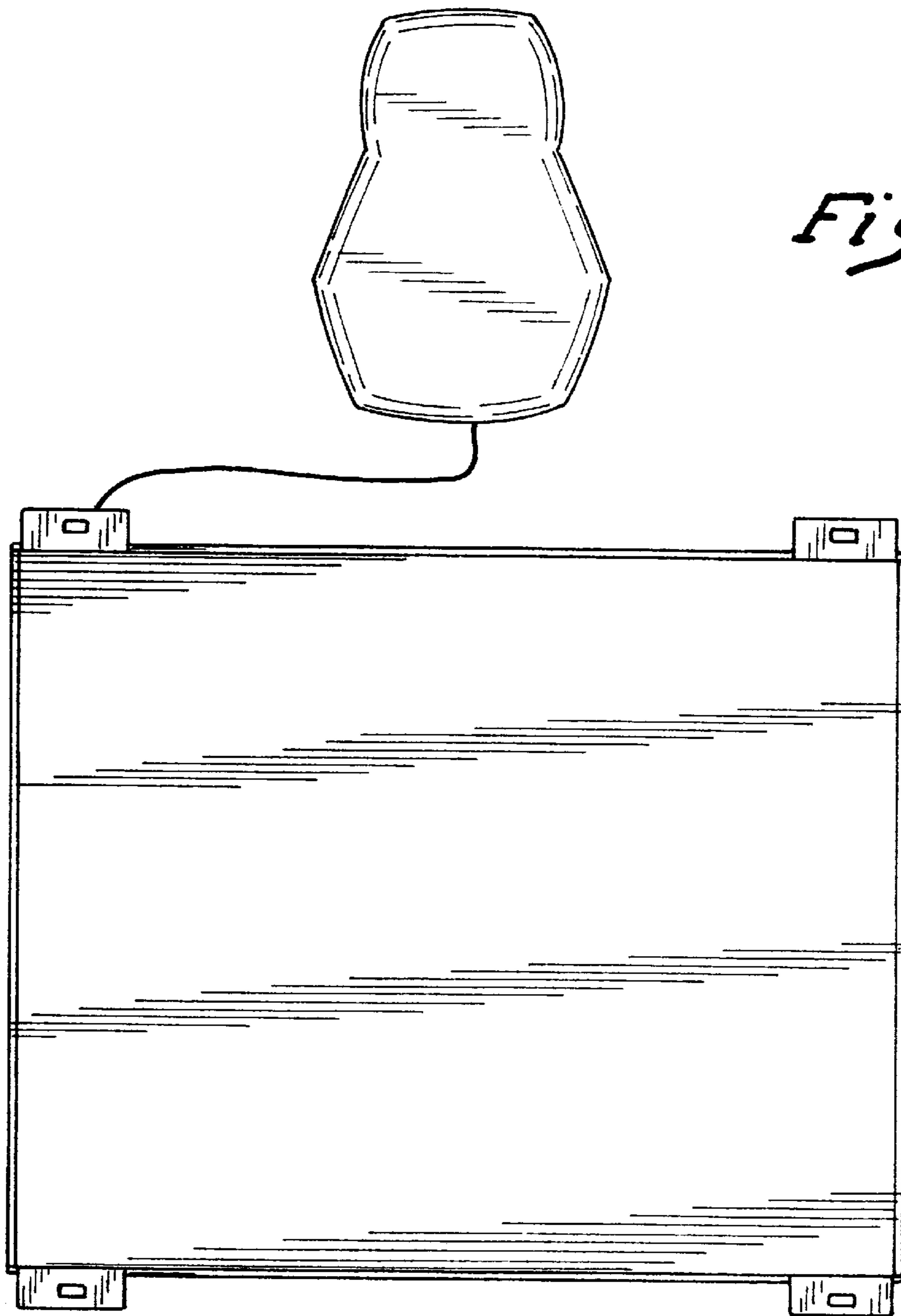


Fig. 7

Fig. 8

