



US00D440215S

(12) **United States Design Patent**  
**Willison et al.**

(10) **Patent No.:** **US D440,215 S**

(45) **Date of Patent:** **\*\* Apr. 10, 2001**

(54) **BASE FOR A CELLULAR PHONE**

(75) Inventors: **Phillip Blake Willison**, Scottsdale;  
**Michael Sorenson**, Fountain Hills;  
**Clyde McKay**, Scottsdale; **Patrick Scofield**, Mesa; **Harry Bradley Smith**, Tempe, all of AZ (US)

(73) Assignee: **International Components Corporation**, Chicago, IL (US)

(\*\*) Term: **14 Years**

(21) Appl. No.: **29/110,192**

(22) Filed: **Sep. 1, 1999**

(51) **LOC (7) Cl.** ..... **14-03**

(52) **U.S. Cl.** ..... **D14/149**

(58) **Field of Search** ..... D14/137, 138,  
D14/148, 147, 149-151, 140-142, 240,  
241, 251, 253; 379/433-436, 419, 420,  
428, 440, 454, 455, 446, 447; D13/107,  
108; 320/110, 113, 114, 115

D. 390,560	*	2/1998	Johnson et al. ....	D14/149
D. 405,446	*	2/1999	Bhavnani .....	D14/148
D. 406,840	*	3/1999	Mavrakis et al. ....	D14/149
D. 408,815	*	4/1999	Halus et al. ....	D14/149
D. 409,190	*	5/1999	Tamura et al. ....	D14/151
D. 415,490	*	10/1999	Chan .....	D14/149
4,378,603		3/1983	Eastmond .	
4,737,976		4/1988	Borth et al. .	
5,109,410		4/1992	Suhami et al. .	
5,407,113		4/1995	Golliher .	
5,507,667		4/1996	Hahn et al. .	
5,568,365		10/1996	Hahn et al. .	
5,611,701		3/1997	Hahn .	
5,613,222		3/1997	Guenther .	
5,626,496		5/1997	Hahn .	
5,628,641		5/1997	Hahn .	
5,634,806		6/1997	Hahn .	
5,648,712		7/1997	Hahn .	
5,659,236		8/1997	Hahn .	
5,689,558		11/1997	Osgood et al. .	
5,764,627		6/1998	Sharma et al. .	
5,802,167		9/1998	Hong .	
5,841,856		11/1998	Ide .	
5,847,541		12/1998	Hahn .	
5,884,191		3/1999	Karpus et al. .	
5,884,194		3/1999	Shiraki .	

\* cited by examiner

*Primary Examiner*—Jeffrey Asch

(74) *Attorney, Agent, or Firm*—Katten Muchin Zavis

(56) **References Cited**

**U.S. PATENT DOCUMENTS**

D. 278,434	*	4/1985	Nestell .....	D14/149
D. 278,708	*	5/1985	Taylor et al. ....	D14/149
D. 279,777	*	7/1985	Cooke et al. ....	D14/149
D. 298,940	*	12/1988	Lau .....	D14/138
D. 339,341	*	9/1993	Allen .....	D14/146
D. 348,668	*	7/1994	Taylor .....	D14/149
D. 352,032	*	11/1994	Cowan .....	D14/151
D. 352,497	*	11/1994	Scianna, Sr. et al. ....	D13/108
D. 358,813	*	5/1995	Hellier et al. ....	D14/149
D. 364,621	*	11/1995	Clarke et al. ....	D14/149
D. 367,651	*	3/1996	Hellier et al. ....	D14/149
D. 369,803	*	5/1996	Hung .....	D14/149
D. 378,290		3/1997	Hahn .	
D. 378,291		3/1997	Hahn .	
D. 379,003		4/1997	Hahn .	
D. 381,314		7/1997	Hahn .	
D. 382,540		8/1997	Hahn .	
D. 382,557	*	8/1997	Solomita et al. ....	D14/149
D. 384,937		10/1997	Liu .	
D. 388,433	*	12/1997	Lepack .....	D14/149

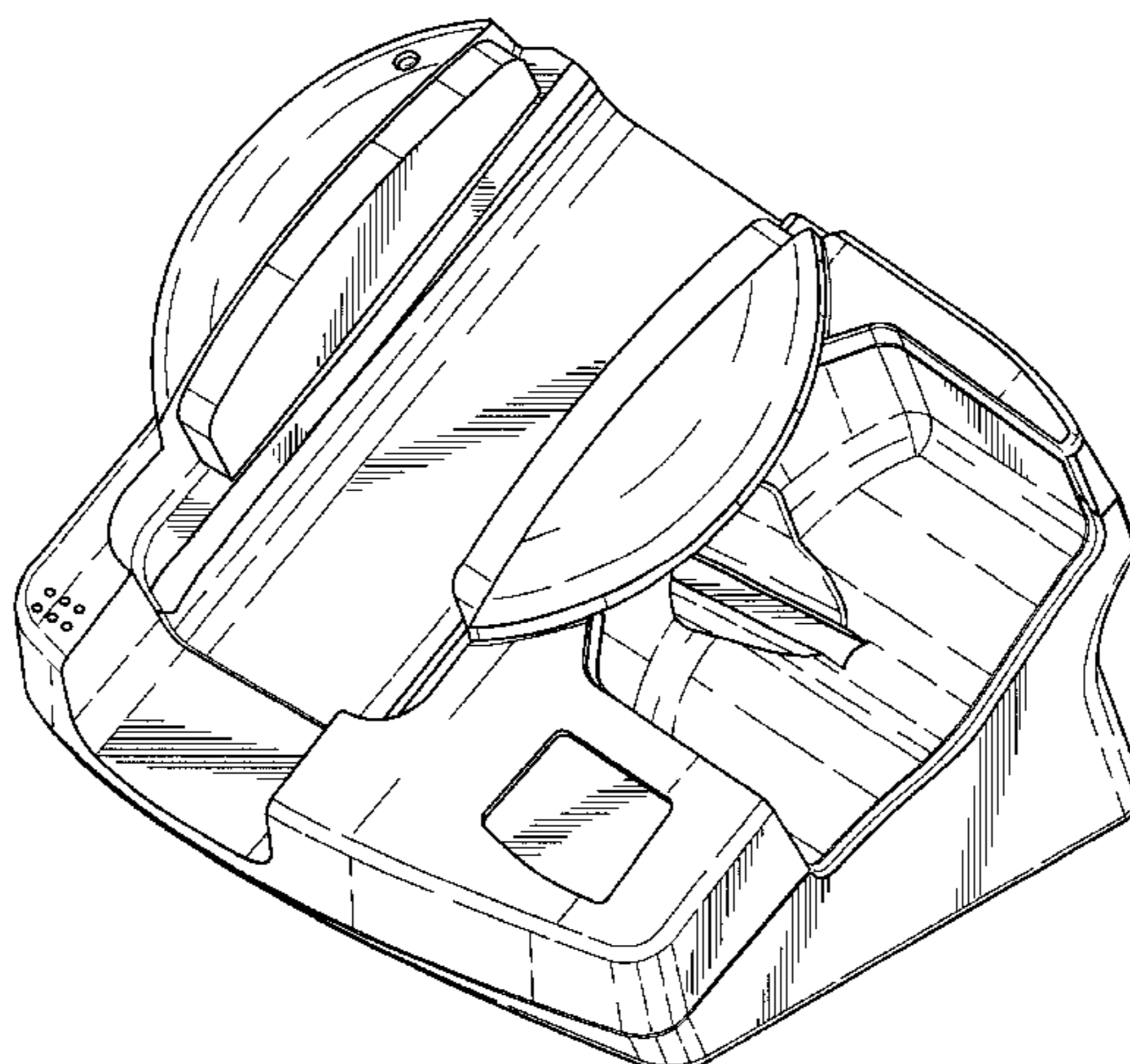
(57) **CLAIM**

The ornamental design for a base for a cellular phone, as shown and described.

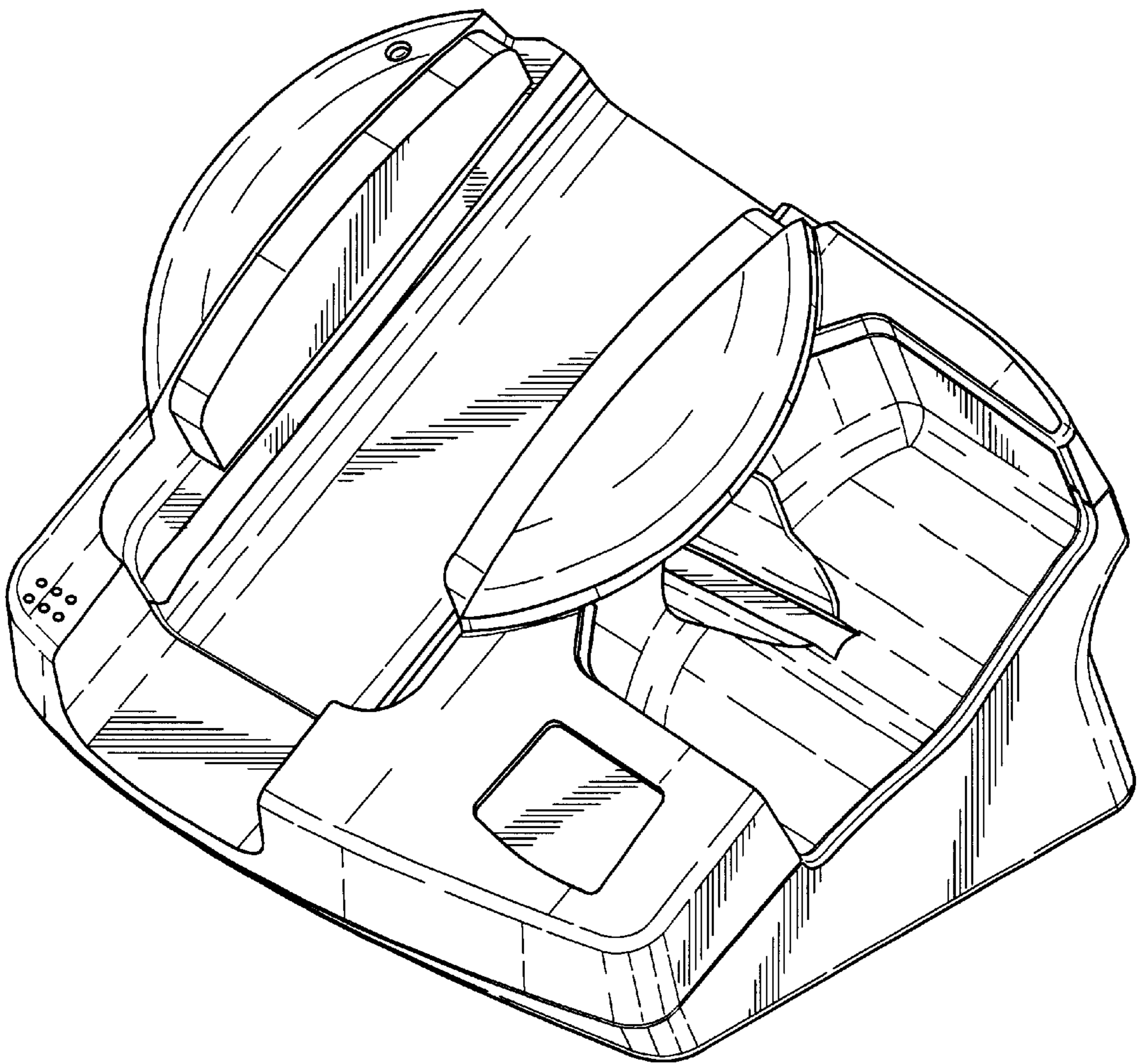
**DESCRIPTION**

FIG. 1 is a perspective view of a base for a cellular phone in accordance with the present invention.  
FIG. 2 is a top view of the base illustrated in FIG. 1.  
FIG. 3 is a side-elevational view of the base illustrated in FIG. 1.  
FIG. 4 is an opposing side-elevational view relative to FIG. 3 of the base illustrated in FIG. 1.  
FIG. 5 is a bottom view of the base illustrated in FIG. 1.  
FIG. 6 is a rear view of the base illustrated in FIG. 1; and, FIG. 7 is a front view of the base illustrated in FIG. 1.

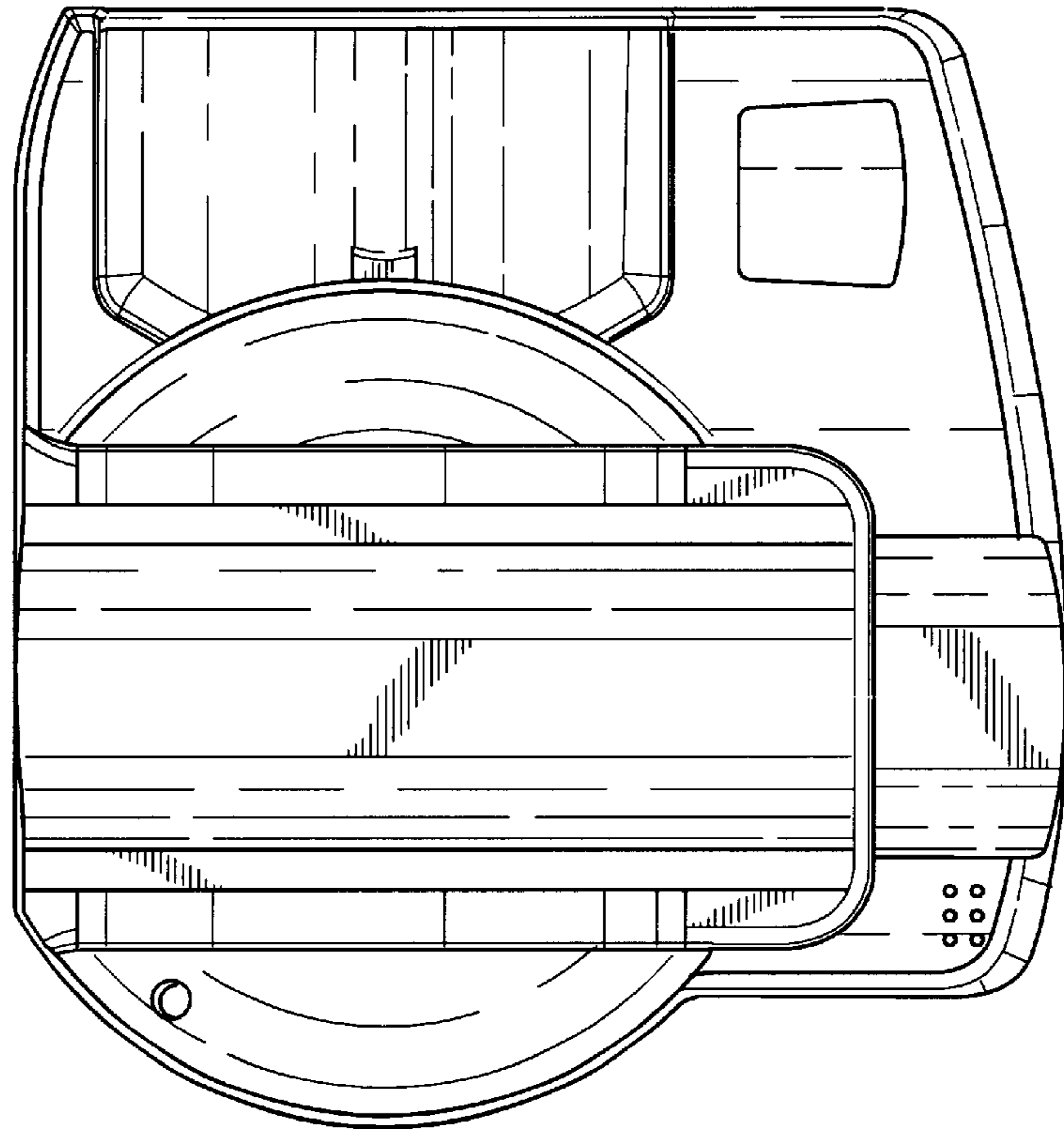
**1 Claim, 4 Drawing Sheets**



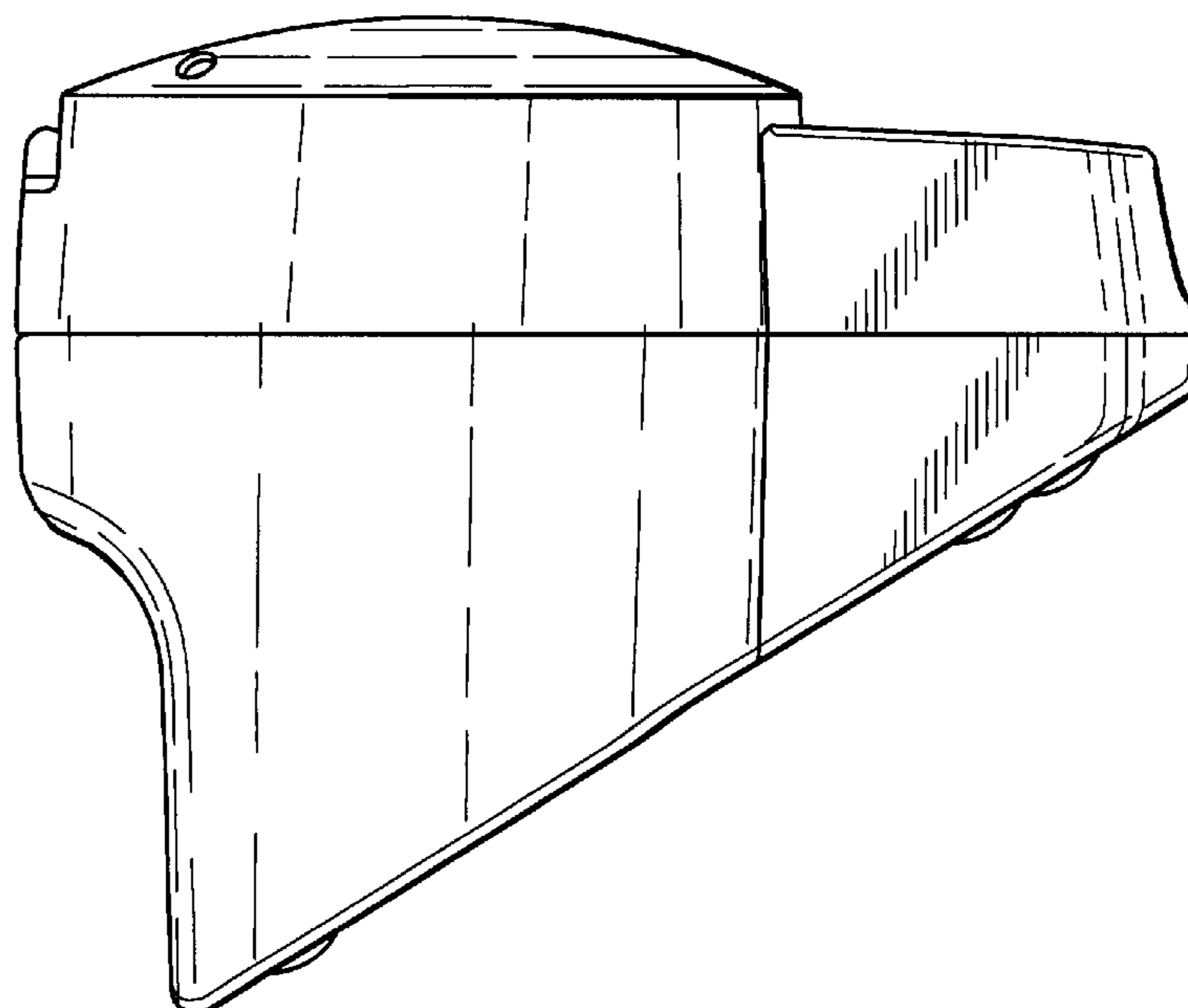
*Fig. 1*



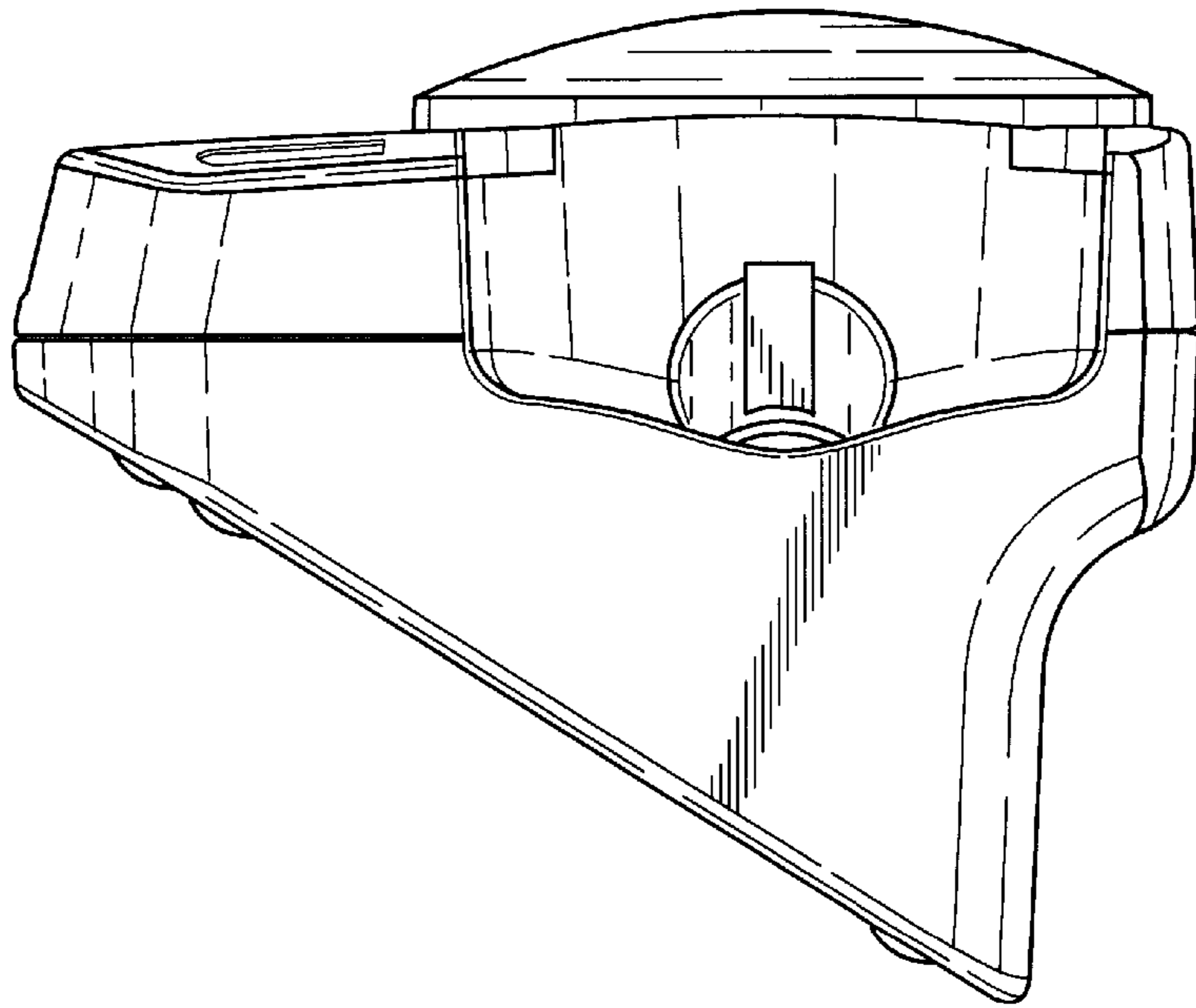
*Fig. 2*



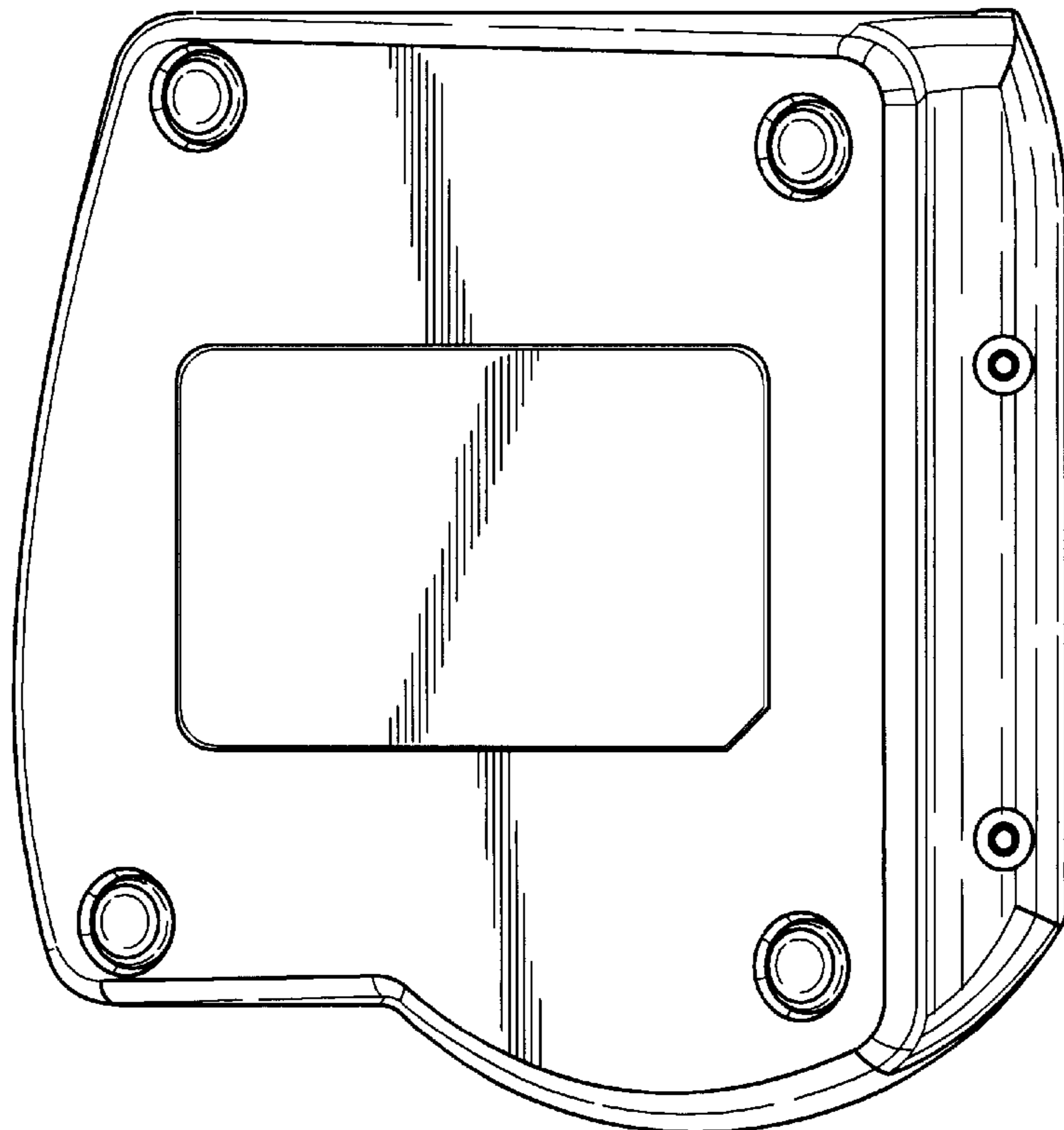
*Fig. 3*



*Fig. 4*

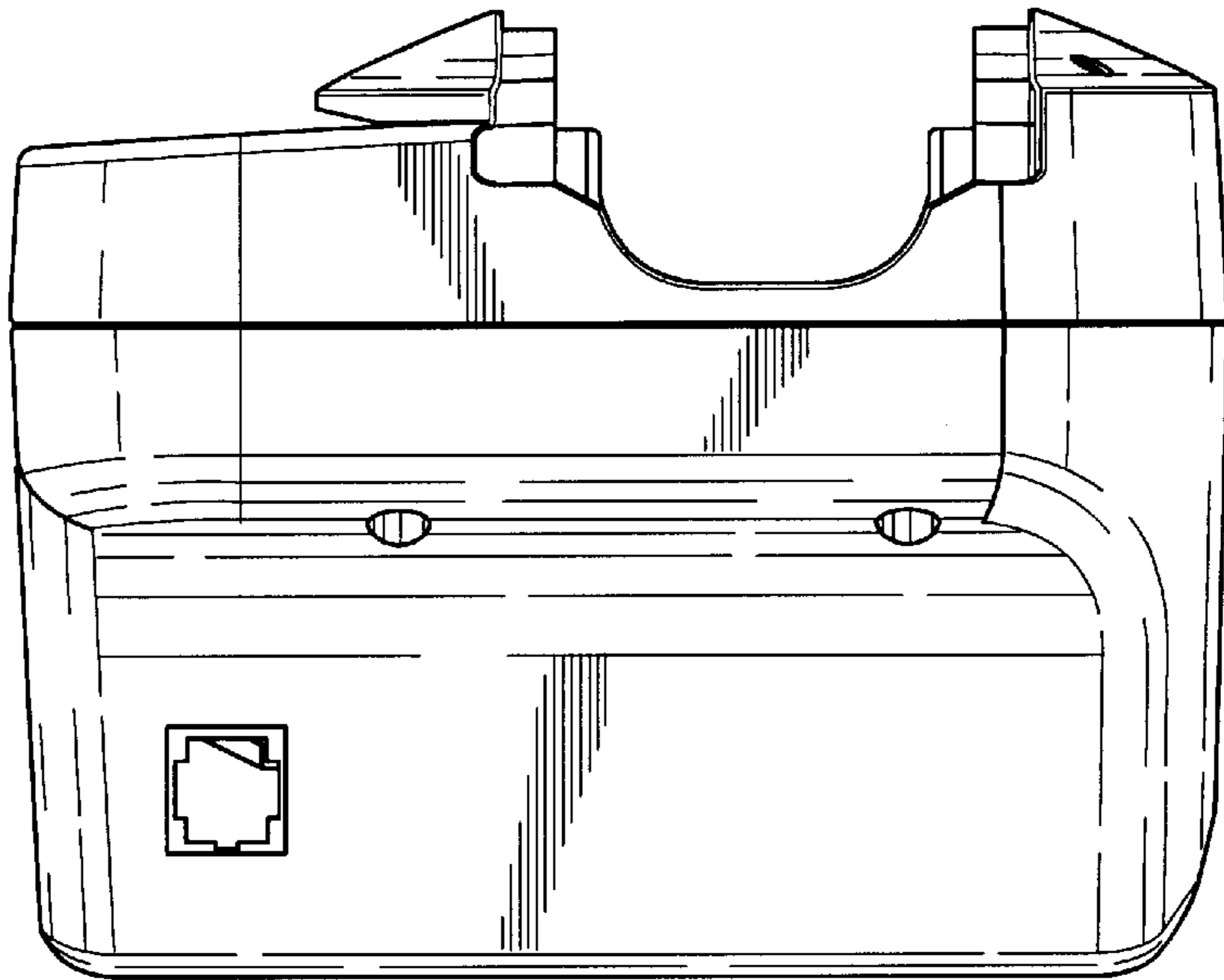


*Fig. 5*





*Fig. 6*



*Fig. 7*

