



US00D440213S

(12) **United States Design Patent**
Weiss

(10) **Patent No.:** **US D440,213 S**

(45) **Date of Patent:** **** Apr. 10, 2001**

(54) **BRUSH**

(76) **Inventor:** **Sherman L. Weiss**, 11360 Sherman Way, Sun Valley, CA (US) 91352-4944

(**) **Term:** **14 Years**

(21) **Appl. No.:** **29/124,700**

(22) **Filed:** **Jun. 9, 2000**

(51) **LOC (7) Cl.** **04-01**

(52) **U.S. Cl.** **D14/132**

(58) **Field of Search** D14/130, 132, D14/134, 138; 15/143.1, 159.1, 160, 186-188, 191.1, 192, 193; 16/110.1, 430

- D. 228,982 11/1973 Fischer .
- D. 231,162 4/1974 Schulenburg-Wolfsburg .
- D. 231,284 4/1974 Lindbo .
- D. 234,553 3/1975 Lardenois .
- D. 235,411 6/1975 Savage .
- D. 235,942 7/1975 Rocke .
- D. 236,071 7/1975 Zemke .
- D. 240,473 7/1976 Parker .
- D. 242,748 12/1976 Graham et al. .
- D. 242,882 1/1977 Schneider .
- D. 244,809 6/1977 Graham et al. .
- D. 245,462 8/1977 Hauf et al. .
- D. 247,543 3/1978 Savage .
- D. 258,779 4/1981 Hopkins et al. .
- D. 266,458 10/1982 Gonsalves .
- D. 269,565 7/1983 Goldstaub .

(List continued on next page.)

(56) **References Cited**

U.S. PATENT DOCUMENTS

- D. 25,518 5/1896 Young .
- 36,309 8/1862 Schweizer et al. .
- D. 100,789 8/1936 O'Donoghue .
- D. 101,729 10/1936 Bickel .
- D. 113,842 3/1939 Jobst .
- D. 120,678 5/1940 Parker .
- D. 126,041 3/1941 Cosby .
- 128,917 7/1872 Small .
- D. 165,514 * 12/1951 Cosby D4/134
- D. 167,335 7/1952 Carter .
- D. 167,775 9/1952 Schmidt .
- D. 167,951 10/1952 Porter .
- D. 169,673 5/1953 Horton .
- D. 178,310 7/1956 Racicot .
- D. 178,578 8/1956 Pelzmann .
- D. 182,026 2/1958 Huxtable .
- D. 185,466 6/1959 Scholl .
- D. 189,639 1/1961 Goon .
- D. 190,318 5/1961 Vallis .
- D. 191,194 8/1961 Davis et al. .
- D. 197,506 2/1964 Lardenois .
- D. 209,503 12/1967 Tucker .
- D. 217,755 6/1970 Schotland .
- D. 217,951 7/1970 Schotland .
- D. 227,620 7/1973 Lindbo .
- D. 227,622 7/1973 Lindbo .
- D. 227,826 7/1973 Lindbo .
- D. 228,585 10/1973 Spydevold .

OTHER PUBLICATIONS

Fuller Brush Catalog, Inc. Grill Brush—Item No. 11945A, p. 41, ©1988.*
Home Trends™, Prep Brush Set—Item No. 34156, p. 66, May 1999.*

Primary Examiner—Alan P. Douglas
Assistant Examiner—Lavone Tabor
(74) *Attorney, Agent, or Firm*—Marshall A. Lerner, Esq.; Finn T. Simmens, Esq.; Kleinberg & Lerner, LLP

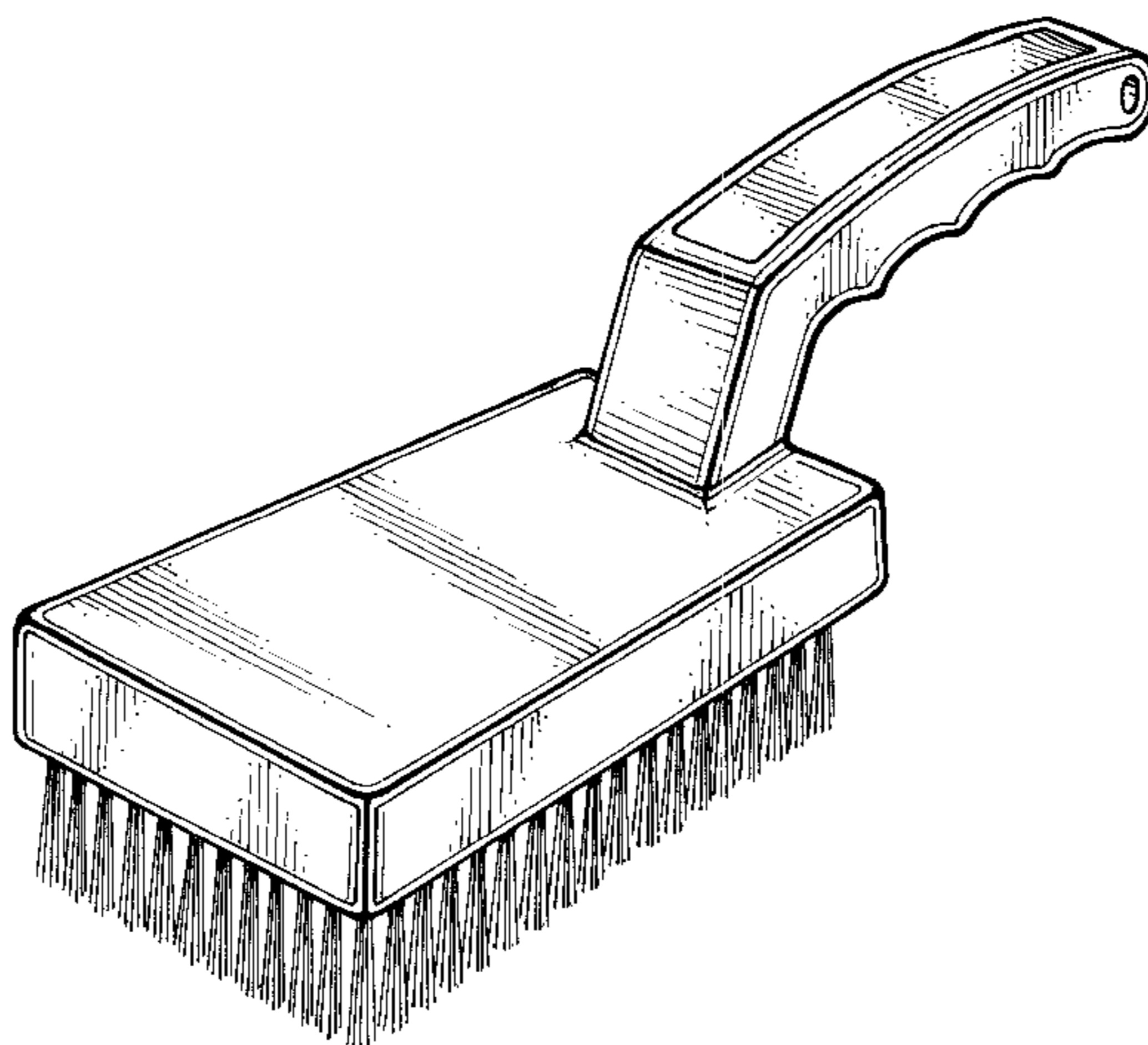
(57) **CLAIM**

The ornamental design for a brush, as shown and described.

DESCRIPTION

FIG. 1 is a perspective view of a brush showing the new design;
FIG. 2 is a front elevational view thereof;
FIG. 3 is a rear elevational view thereof;
FIG. 4 is a right side elevational view thereof, the opposite side being a mirror image;
FIG. 5 is a top plan view thereof; and,
FIG. 6 is a bottom plan view thereof.

1 Claim, 2 Drawing Sheets



US D440,213 S

Page 2

U.S. PATENT DOCUMENTS

D. 272,713	2/1984	Hayes et al. .	D. 378,959 *	4/1997	Gringer	D4/132
D. 274,388	6/1984	Colemore-Williams .	D. 391,084	2/1998	Armour .	
D. 282,604	2/1986	Whitaker .	D. 392,104	3/1998	Berti .	
D. 288,989	3/1987	Camardello .	D. 394,352	5/1998	Berti .	
D. 291,029	7/1987	Purvis et al. .	D. 396,558	8/1998	Berti .	
D. 303,323	9/1989	Saunders .	D. 398,110	9/1998	Zemel .	
D. 307,077	4/1990	Bryant .	D. 400,328	10/1998	Zemel .	
D. 309,984	8/1990	Gingras .	D. 405,960	2/1999	King et al. .	
D. 314,282	2/1991	Gingras .	856,168	6/1907	Lykken .	
D. 315,064	3/1991	Vetter .	1,760,268	5/1930	Cave .	
D. 337,660	7/1993	Ricciarelli et al. .	2,167,196	7/1939	Bothum .	
D. 345,653	4/1994	Joyner et al. .	2,306,051	12/1942	Ghelber .	
D. 356,446	3/1995	Hoagland .	2,592,648	4/1952	Bowers .	
D. 357,127	4/1995	Hoagland .	2,792,584	5/1957	Fryda .	
D. 358,491	5/1995	Hoagland .	2,802,229	8/1957	Bangs .	
D. 360,763	8/1995	Camp, Jr. et al. .	2,807,814	10/1957	Leeming .	
D. 360,988	8/1995	Laubach, III et al. .	2,817,864	12/1957	Morton .	
D. 361,894	9/1995	Hoagland .	2,857,608	10/1958	Schwartz .	
D. 363,609	10/1995	Bochnak et al. .	3,199,139	8/1965	Vallis .	
D. 367,176	2/1996	Berti .	5,317,779	6/1994	Hoagland .	
D. 369,472	5/1996	Laubach, III et al. .	5,339,481	8/1994	Hoagland .	
D. 369,906	5/1996	Henrie .	5,471,700	12/1995	Pereira .	
D. 371,002	6/1996	Berti .	5,809,604	9/1998	Olstyn .	
D. 375,842	11/1996	Gringer .				

* cited by examiner

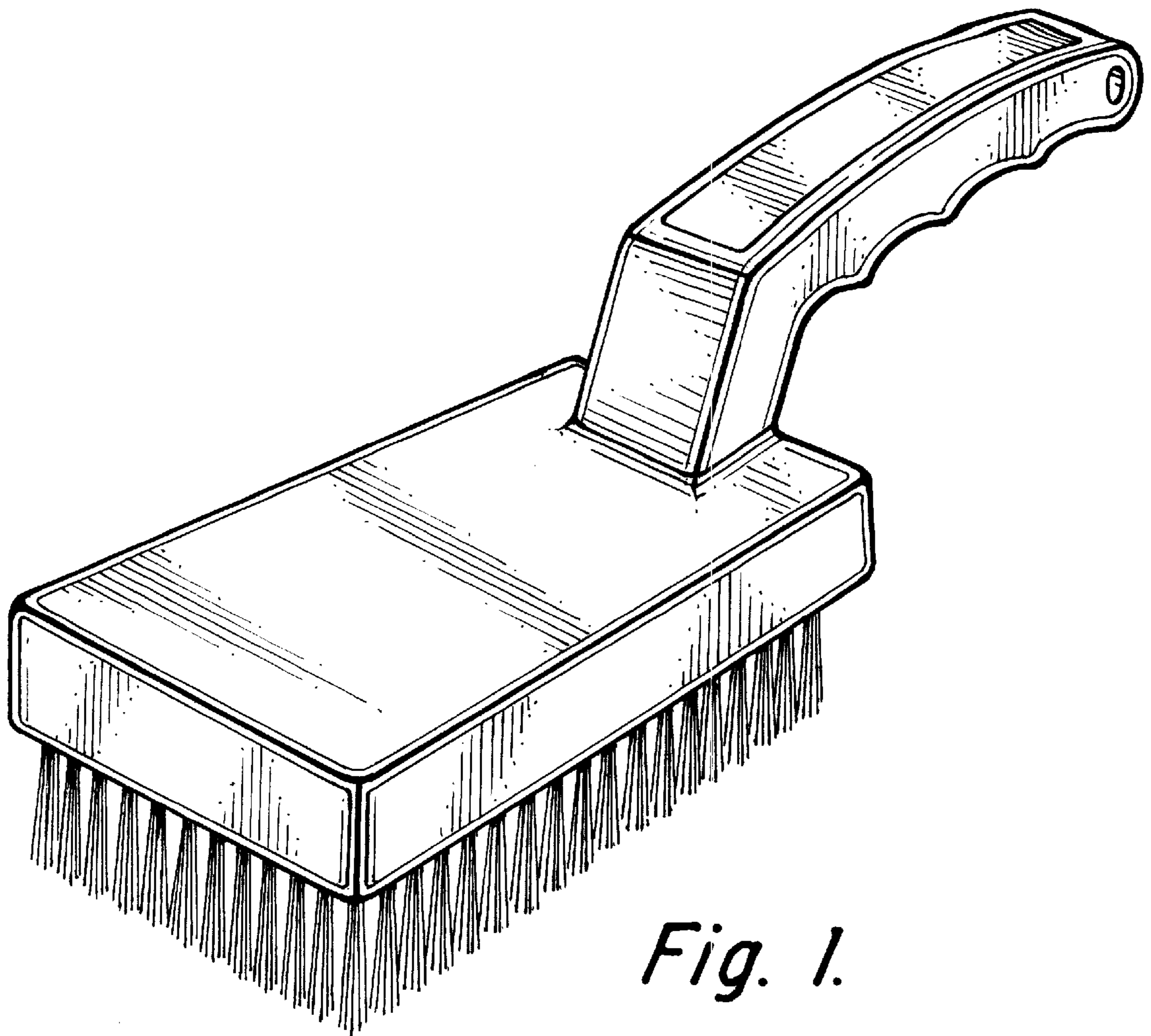


Fig. 1.

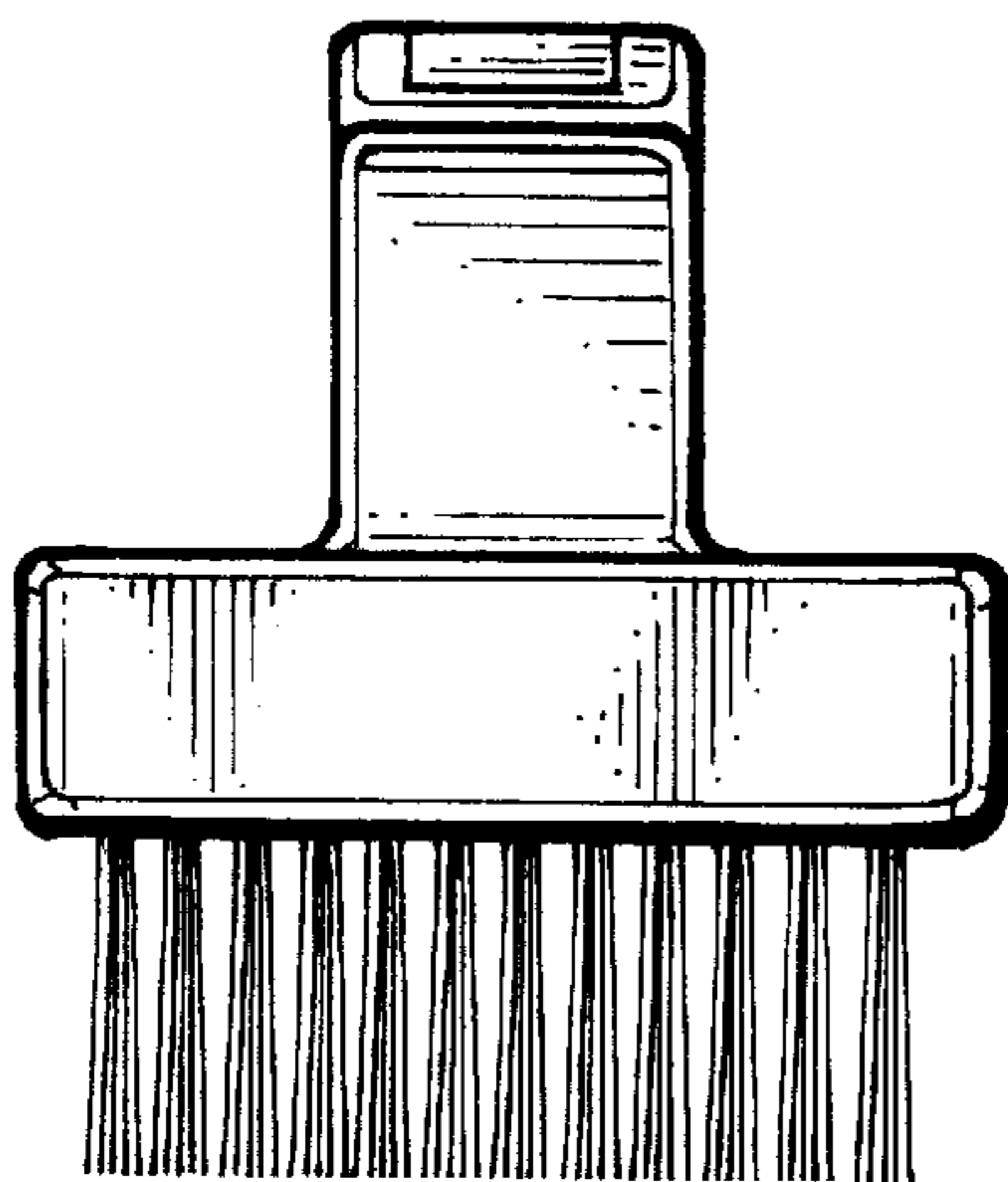


Fig. 2.

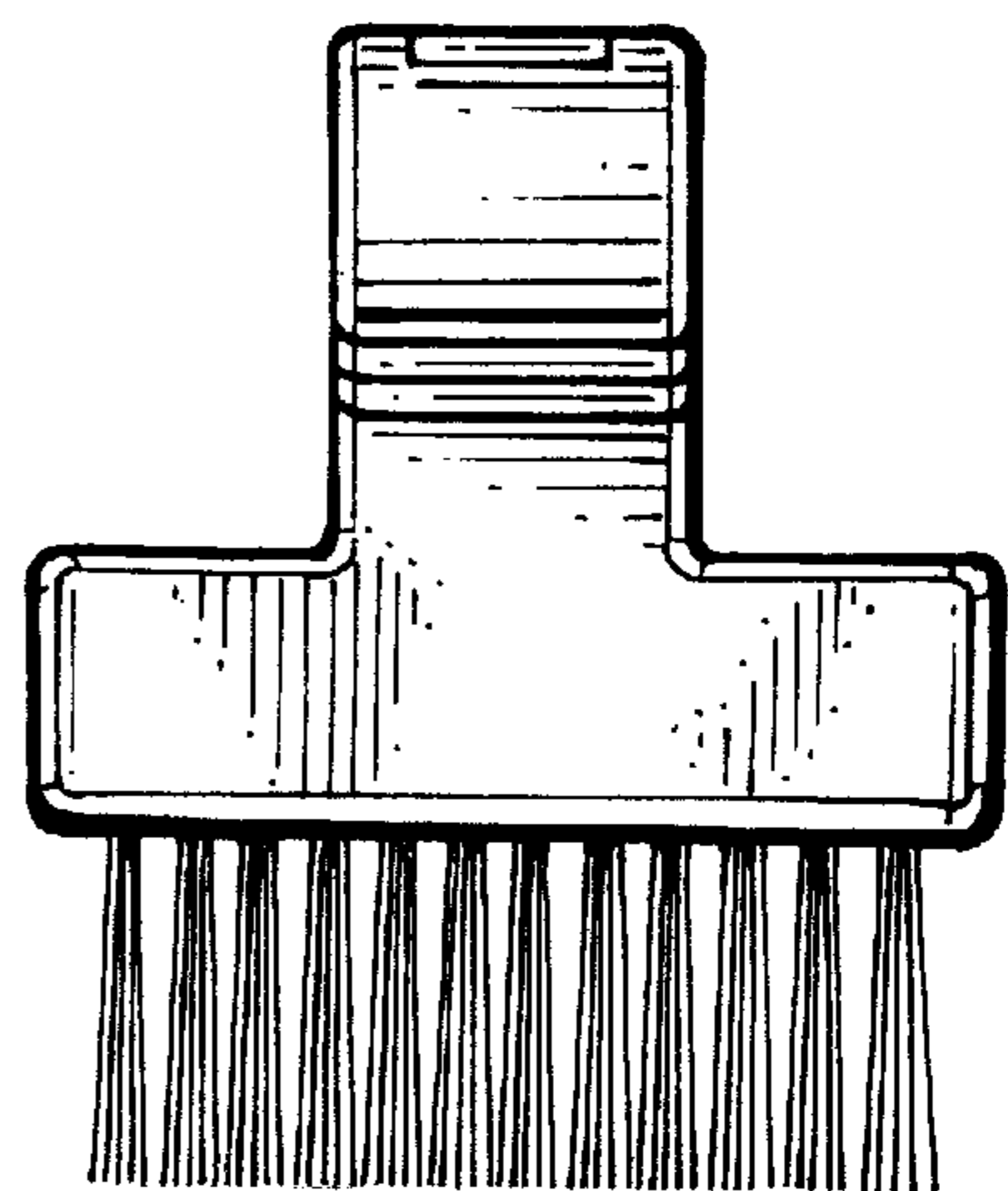


Fig. 3.

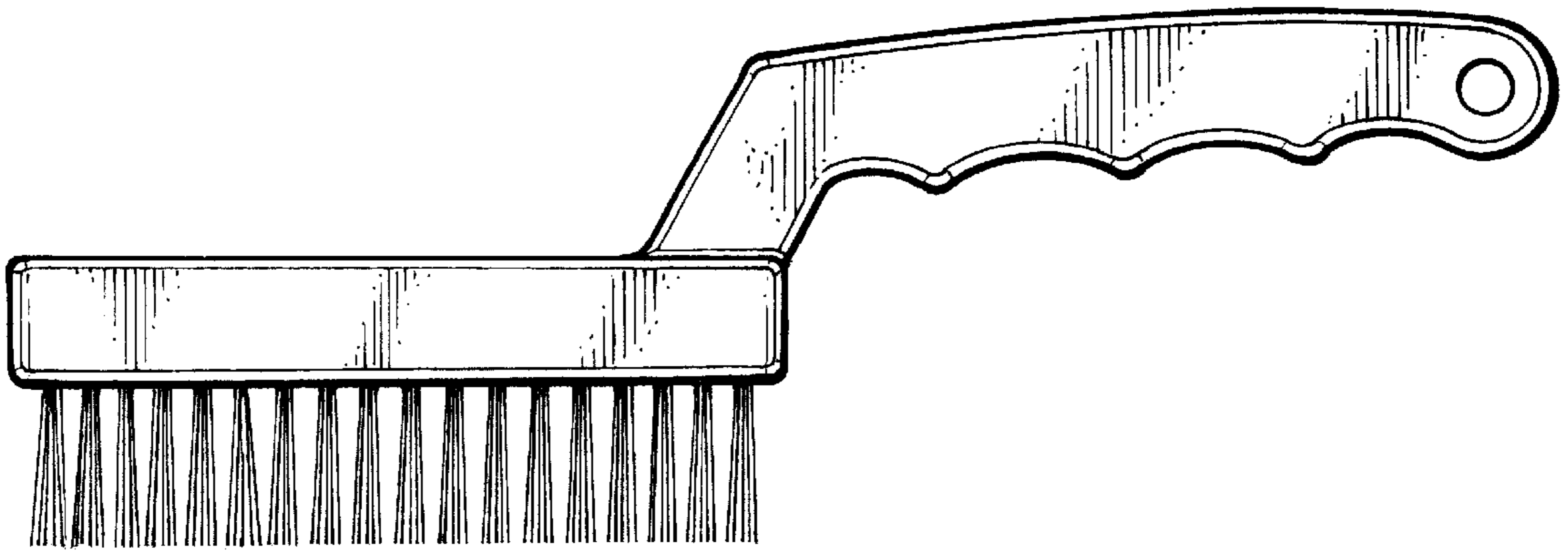


Fig. 4.

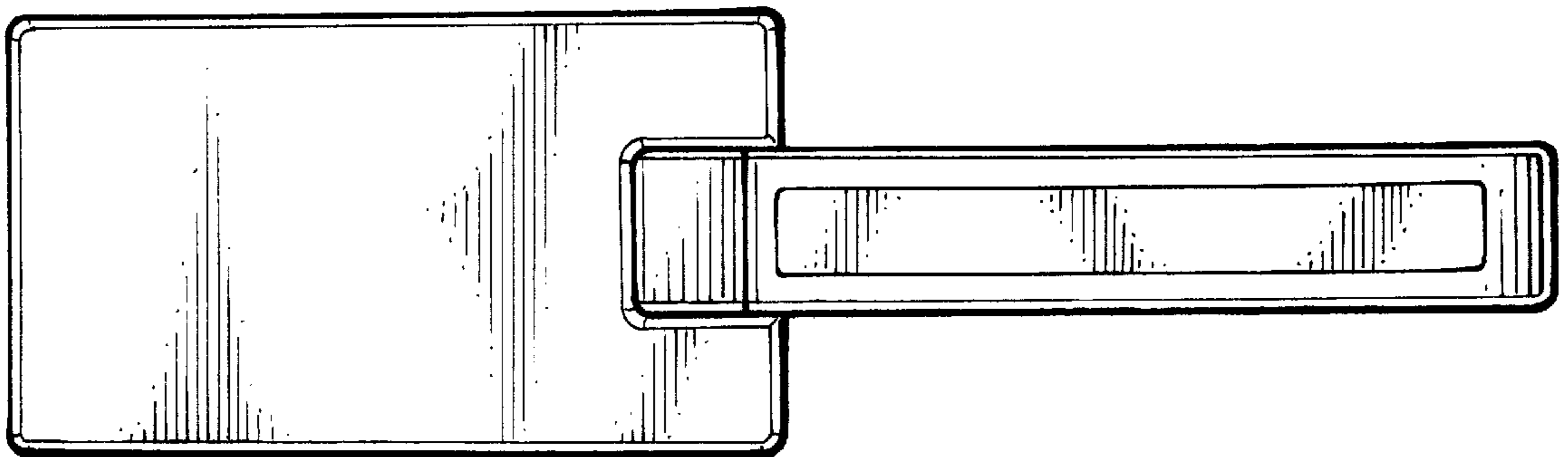


Fig. 5.

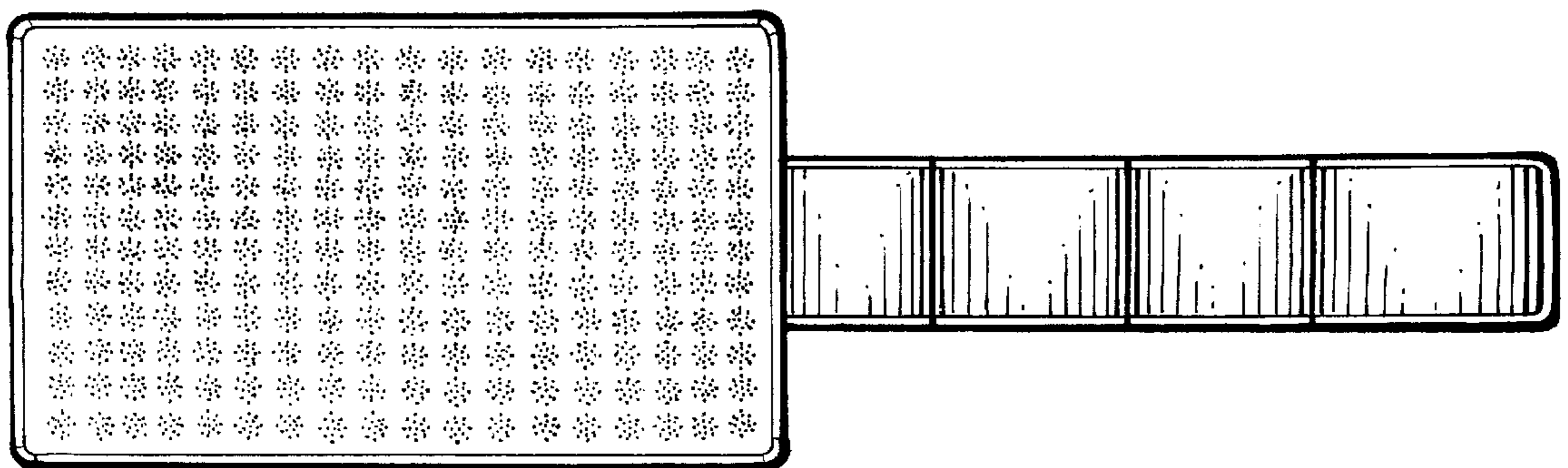


Fig. 6.