



US00D440212S

(12) **United States Design Patent**
Clapper

(10) **Patent No.:** **US D440,212 S**

(45) **Date of Patent:** **** Apr. 10, 2001**

(54) **SET-TOP BOX**

(75) **Inventor:** **Edward O. Clapper**, Tempe, AZ (US)

(73) **Assignee:** **Intel Corporation**, Santa Clara, CA (US)

(**) **Term:** **14 Years**

(21) **Appl. No.:** **29/125,670**

(22) **Filed:** **Jun. 28, 2000**

(51) **LOC (7) Cl.** **14-03**

(52) **U.S. Cl.** **D14/125; D14/356**

(58) **Field of Search** D14/299, 356,
D14/361-363, 365, 496, 125, 135, 136,
239; 348/10, 460; 361/690-696; 312/208.1,
223.2

(56) **References Cited**

U.S. PATENT DOCUMENTS

- D. 368,085 * 3/1996 Mittal et al. D14/239
- D. 386,174 * 11/1997 Boyd et al. D14/125

- D. 396,856 * 8/1998 Oba D14/125
- D. 413,333 * 8/1999 Kitajima et al. D14/125
- D. 426,212 * 6/2000 Storti et al. D14/125
- D. 433,020 * 10/2000 Silbermann et al. D14/356
- D. 434,737 * 12/2000 Jensen et al. D14/125

* cited by examiner

Primary Examiner—Raphael Barkai

(74) *Attorney, Agent, or Firm*—Trop, Pruner & Hu, P.C.

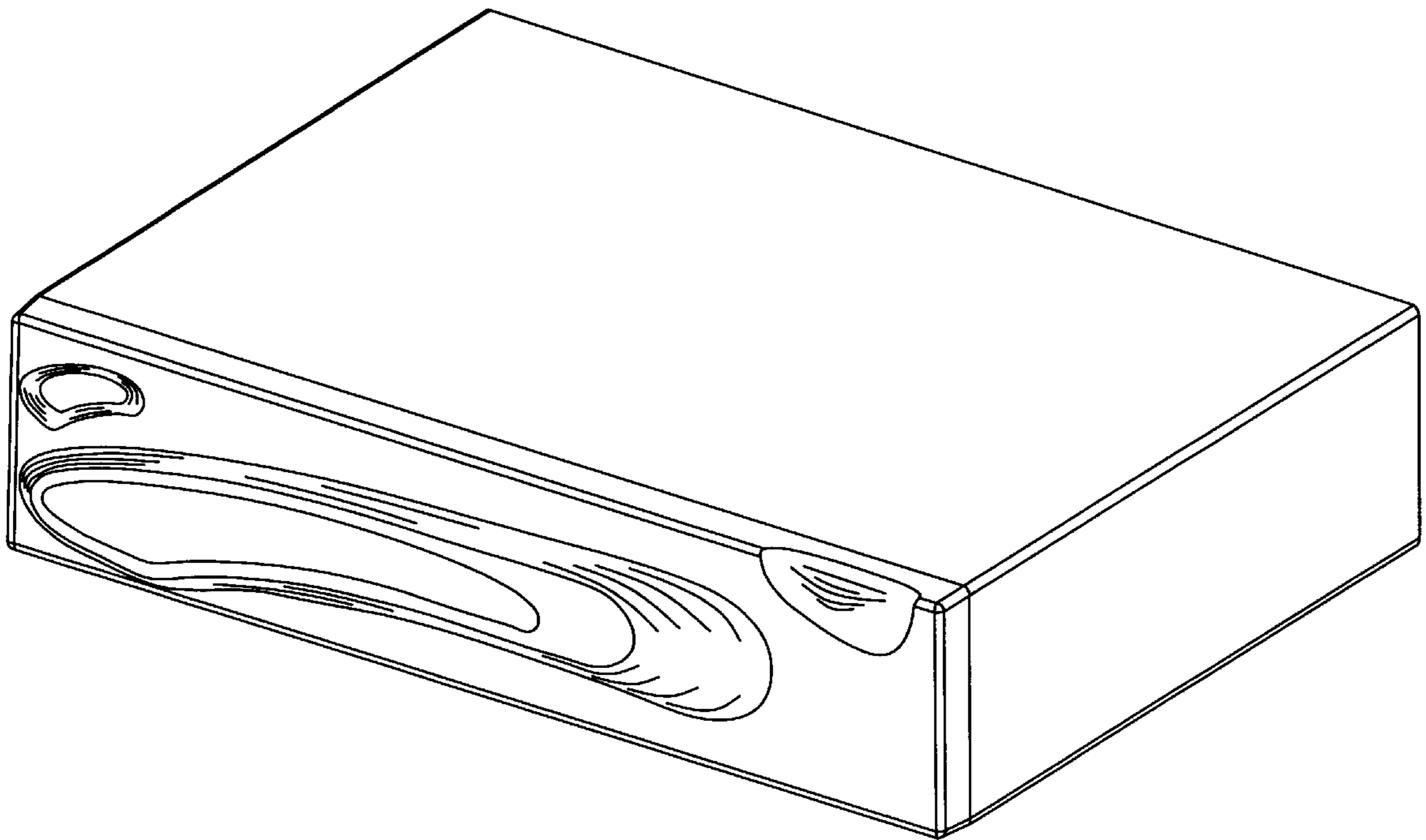
(57) **CLAIM**

The ornamental design for the set-top box, as shown and described.

DESCRIPTION

FIG. 1 is a front elevational view of a set-top box; FIGS. 2 and 3 are perspective views thereof; FIG. 4 is a side elevational view of one side thereof; FIG. 5 is a side elevational view of another side thereof; FIG. 6 is a top elevational view thereof; FIG. 7 is a bottom elevational view thereof; and, FIG. 8 is a back elevational view thereof.

1 Claim, 7 Drawing Sheets



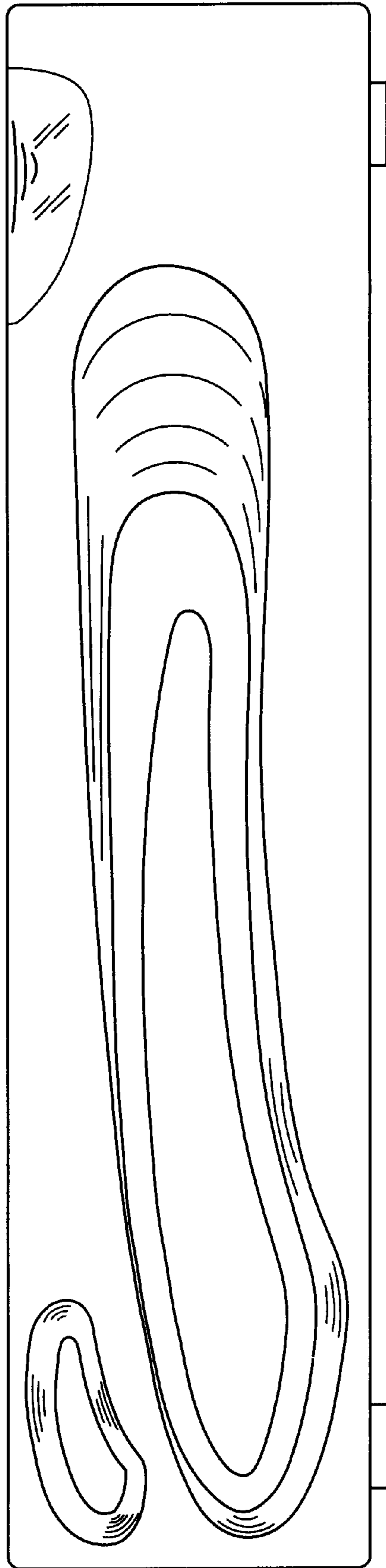


FIGURE 1

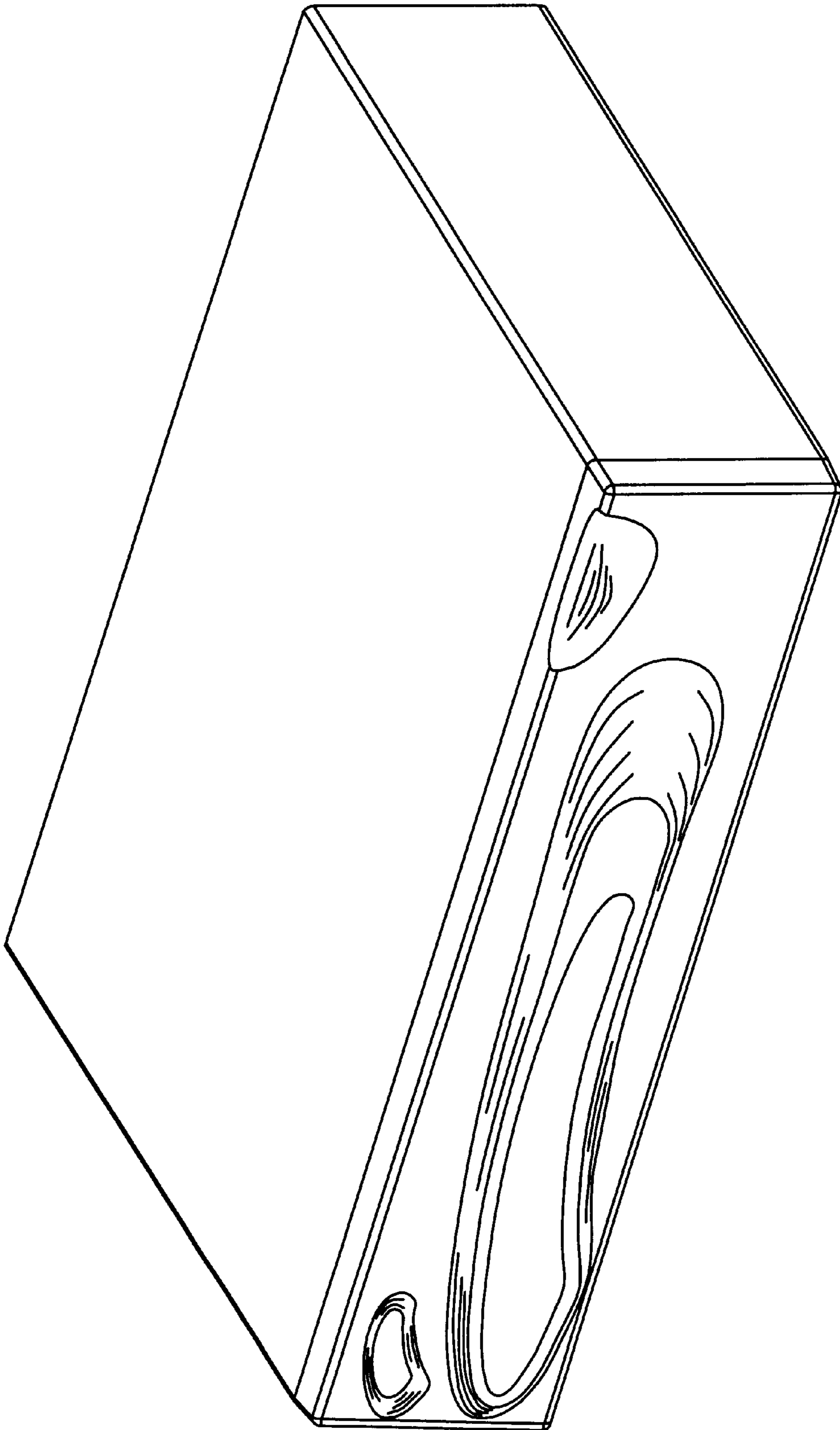


FIGURE 2

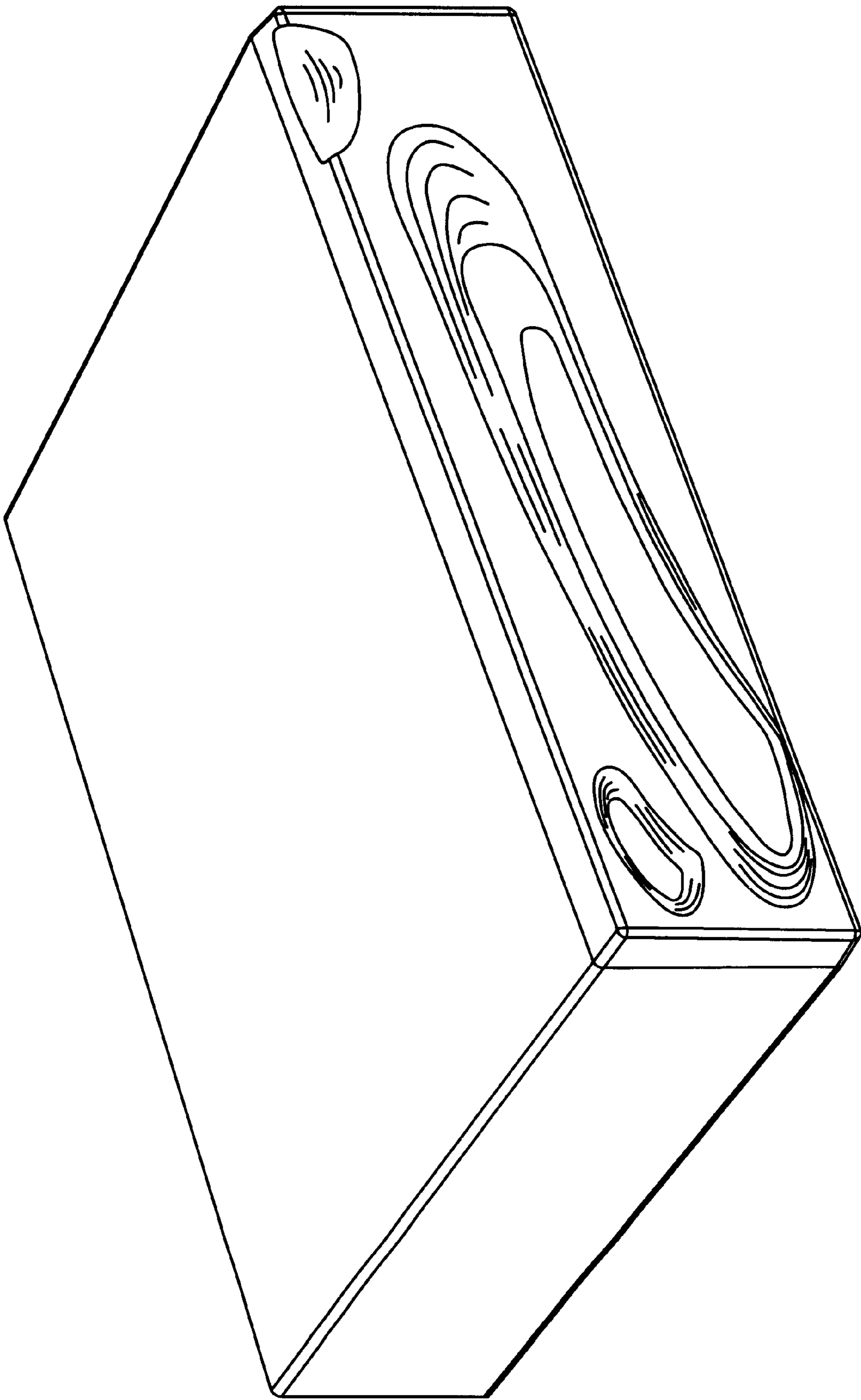


FIGURE 3

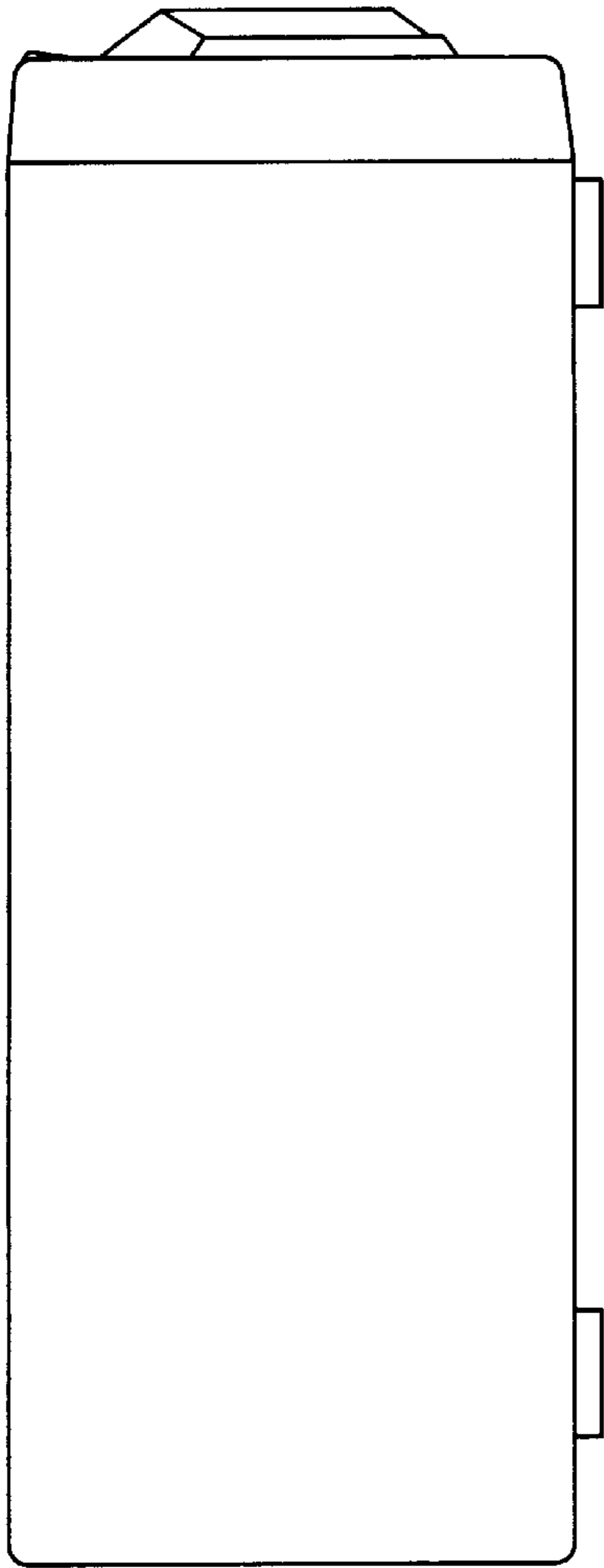


FIGURE 4

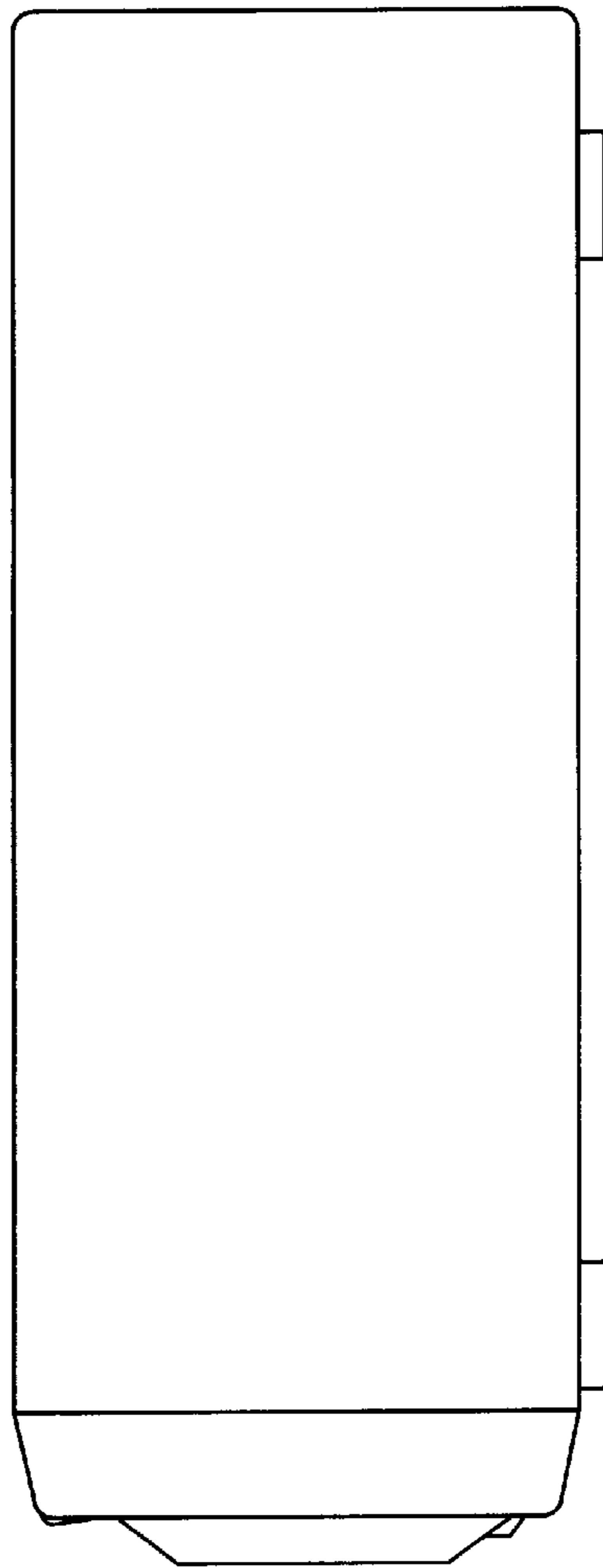


FIGURE 5

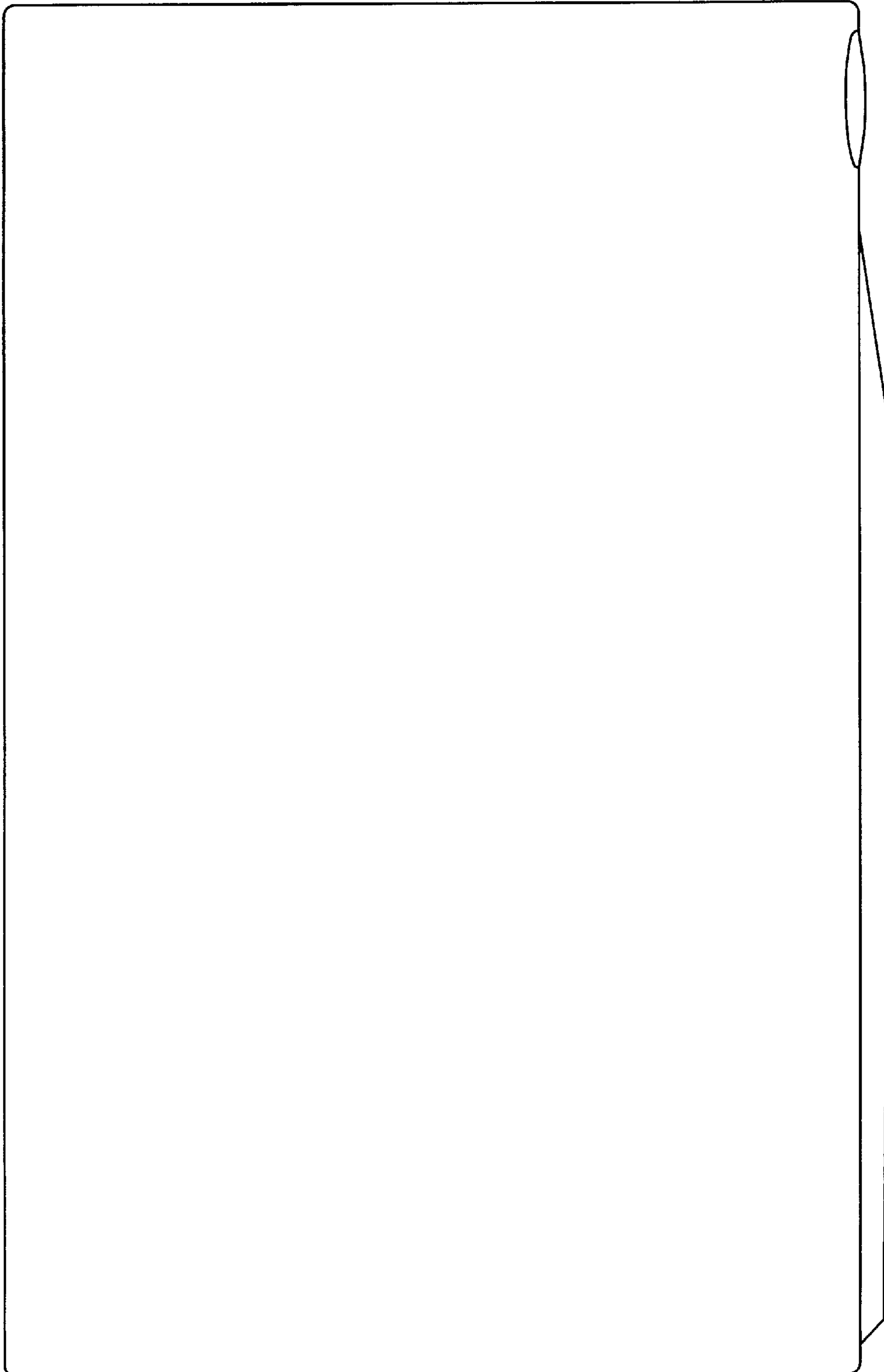


FIGURE 6

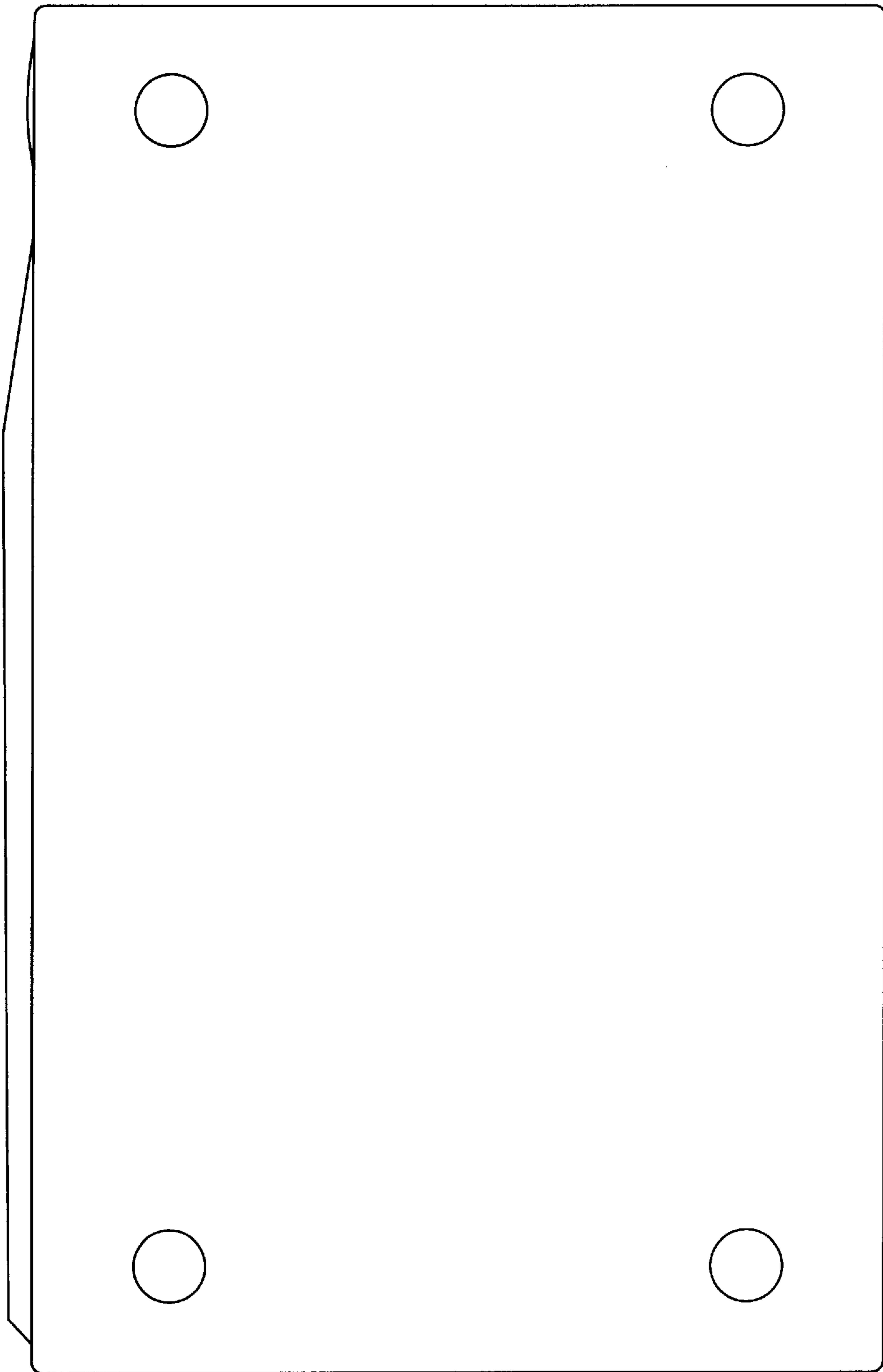


FIGURE 7

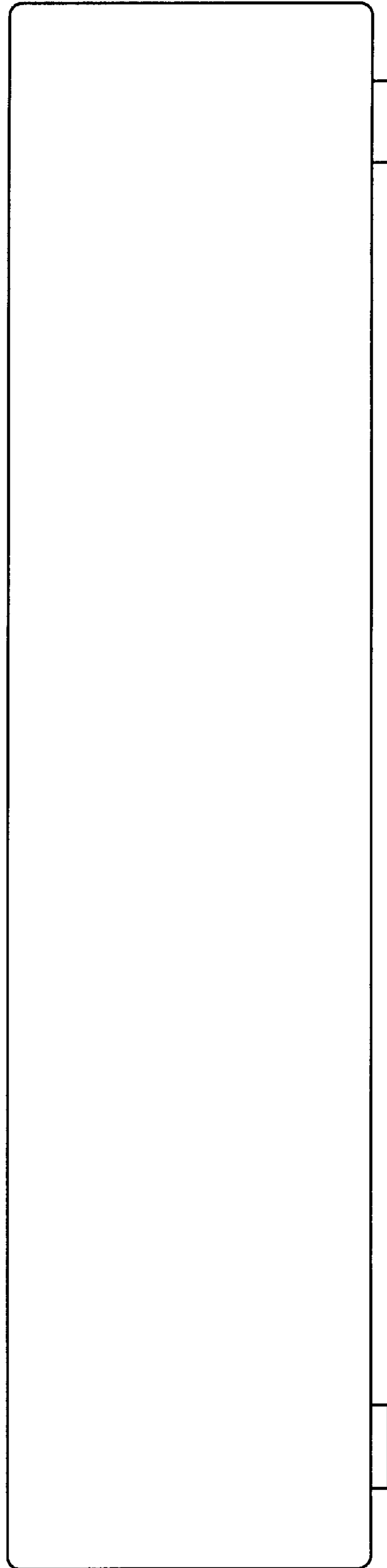


FIGURE 8