



US00D440207S

(12) **United States Design Patent**
Carson et al.

(10) **Patent No.:** **US D440,207 S**

(45) **Date of Patent:** **** Apr. 10, 2001**

(54) **LIGHTING CONTROL FACEPLATE**

(75) **Inventors:** **Steven R. Carson**, Lucas; **Raymond T. Griffin**; **John E. King**, both of Plano, all of TX (US)

(73) **Assignee:** **Genlyte Thomas Group LLC**, DE (US)

(**) **Term:** **14 Years**

(21) **Appl. No.:** **29/122,408**

(22) **Filed:** **Apr. 26, 2000**

(51) **LOC (7) Cl.** **13-03**

(52) **U.S. Cl.** **D13/162**

(58) **Field of Search** D13/158, 162, D13/164, 169, 170, 171, 174, 177; D8/350-353; 174/48, 52.1, 66; 200/42.01, 237, 293, 308, 310, 313-14, 329, 331, 341; 338/152, 163, 184, 226; 361/620, 627

(56) **References Cited**

U.S. PATENT DOCUMENTS

D. 307,578	5/1990	Carson et al.	D13/158
D. 311,485	* 10/1990	Jacoby et al.	D8/353
D. 311,678	10/1990	Graef et al.	D8/353
D. 313,168	12/1990	Pearlman et al.	D13/169
D. 315,145	3/1991	Pearlman et al.	D13/169

D. 315,546	* 3/1991	Mongeau	D13/170
D. 327,657	* 7/1992	Marcou et al.	D10/106
D. 333,124	2/1993	Carson	D13/169
D. 344,068	2/1994	Adams et al.	D13/164
D. 353,798	* 12/1994	Bryde et al.	D13/169
D. 378,814	4/1997	Adams et al.	D13/164
D. 380,737	* 7/1997	Weir et al.	D13/162

* cited by examiner

Primary Examiner—Brian N. Vinson

(74) *Attorney, Agent, or Firm*—Dennis T. Griggs

(57) **CLAIM**

The ornamental design for a lighting control faceplate, as shown and described.

DESCRIPTION

FIG. 1 is a front elevational view of a lighting control faceplate showing out new design, the rear being unornamented;

FIG. 2 is a right side elevational view thereof;

FIG. 3 is a bottom plan view thereof, the top plan view being a mirror image thereof;

FIG. 4 is a left side elevational view thereof; and,

FIG. 5 is an isometric perspective view thereof.

The broken line showing of a switch housing in FIGS. 2-5 is for illustrative purposes only.

1 Claim, 2 Drawing Sheets

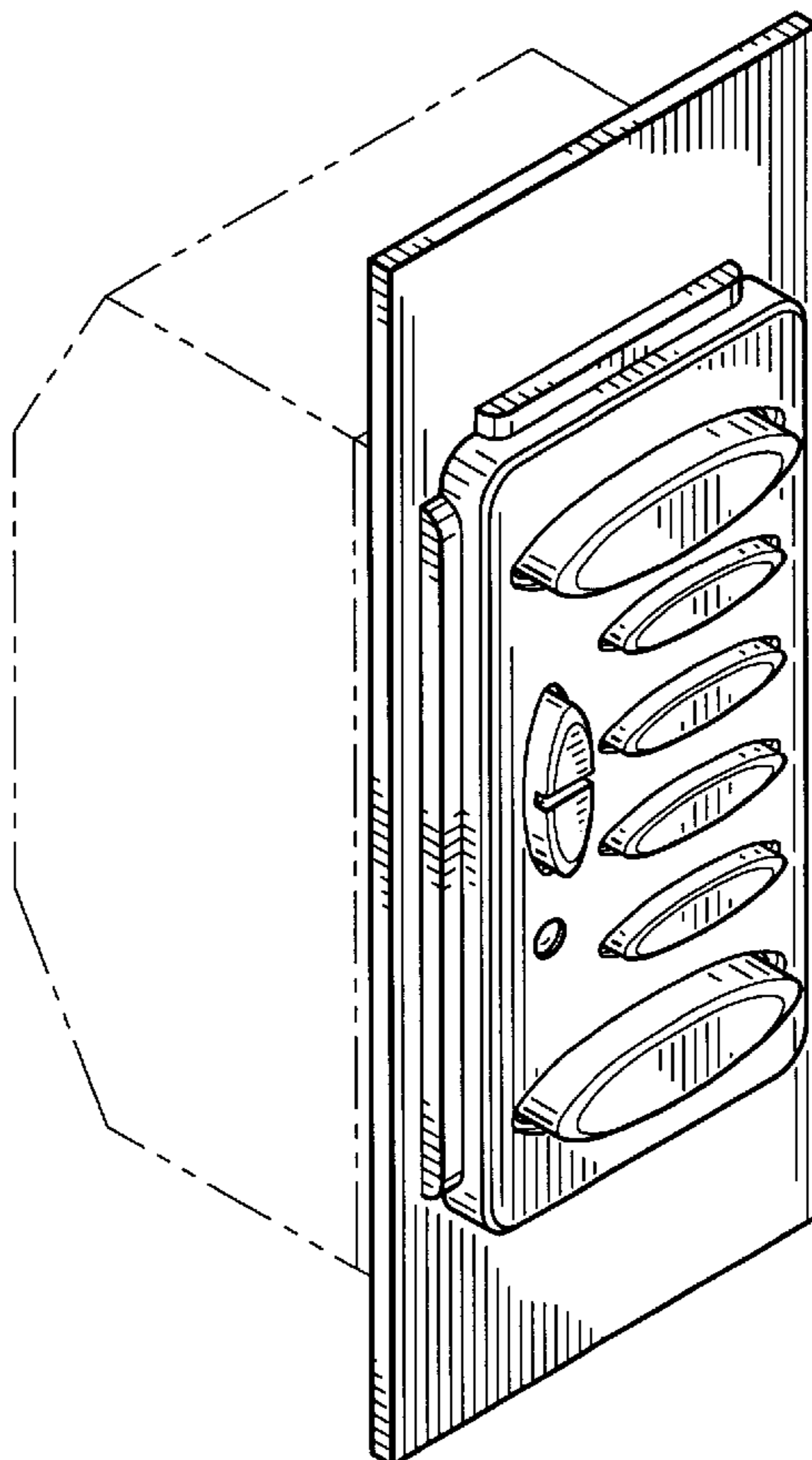


FIG. 1

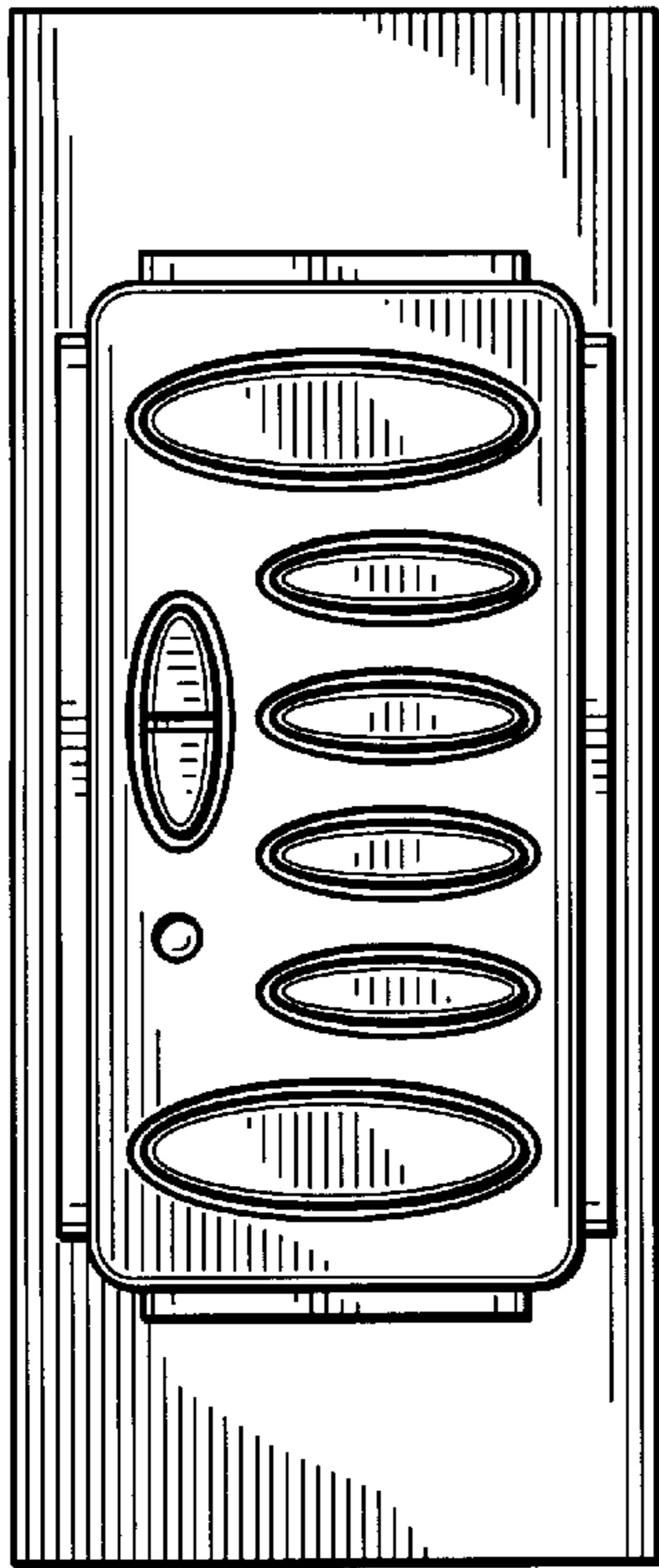


FIG. 2

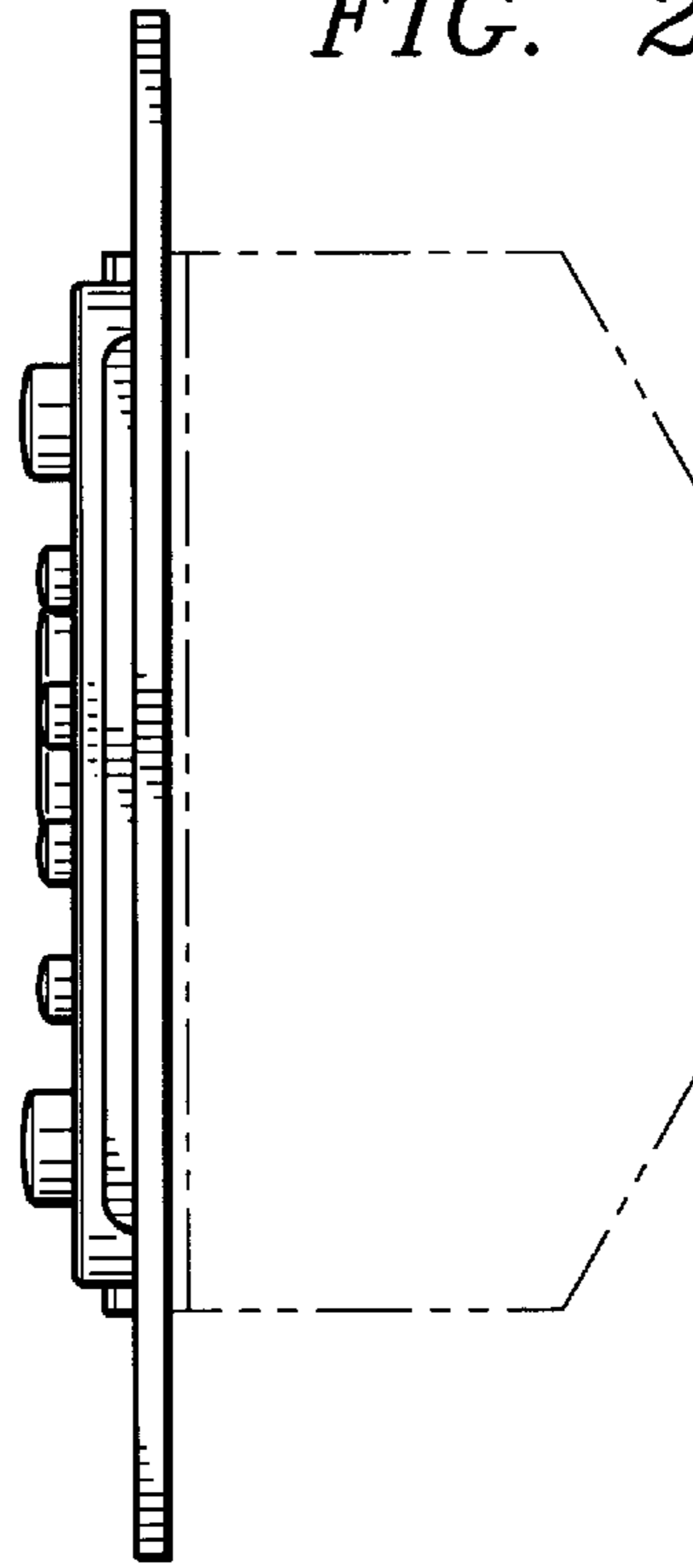


FIG. 3

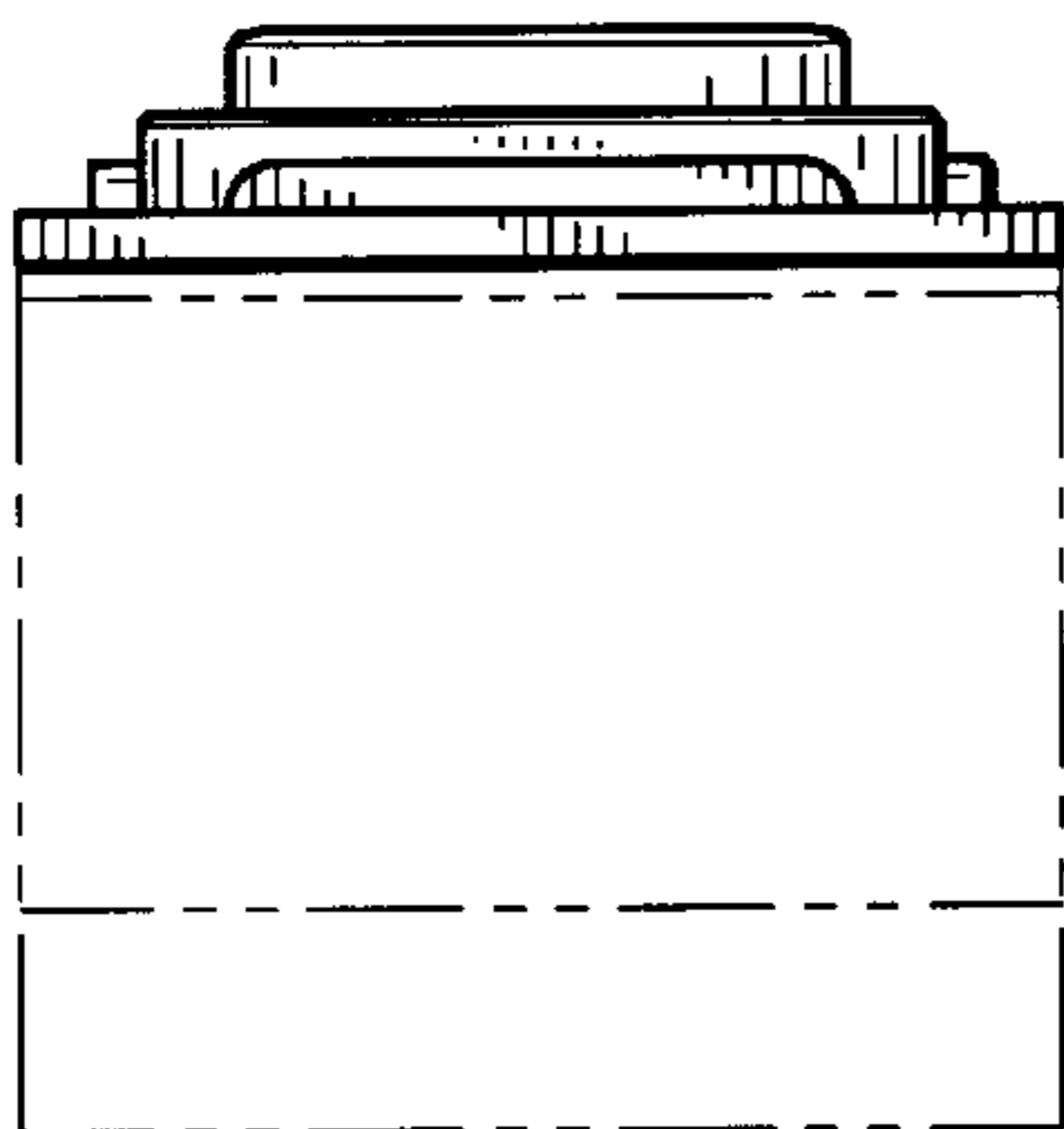
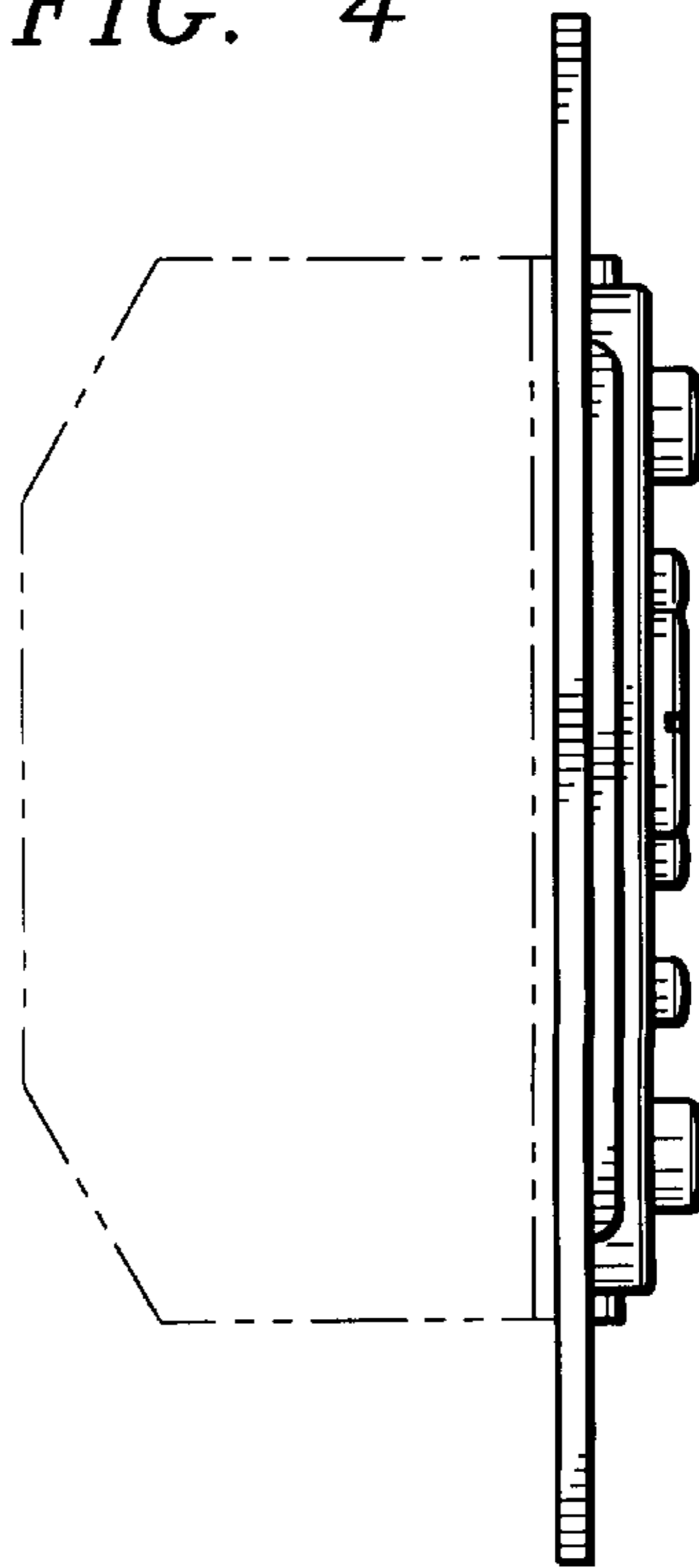


FIG. 4



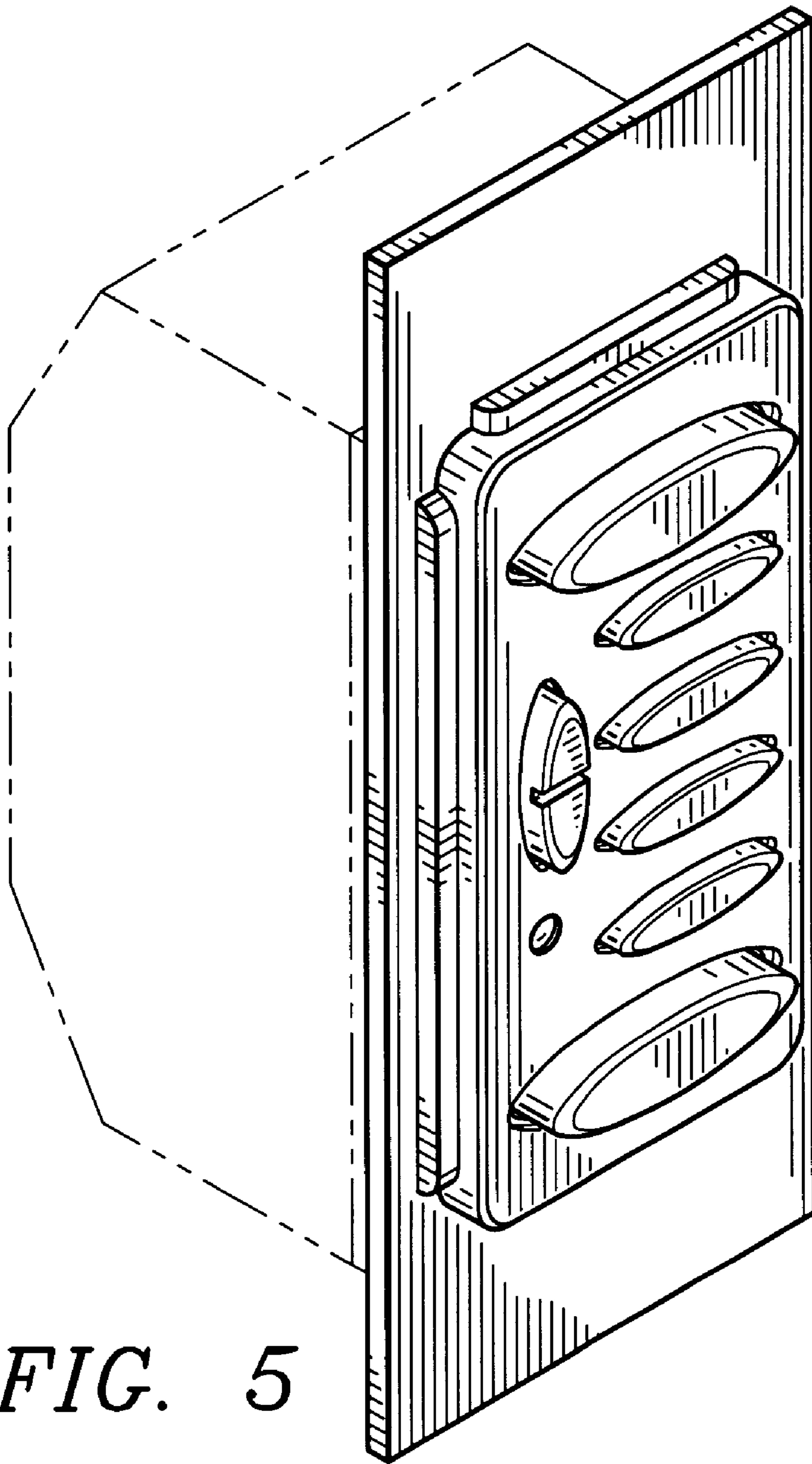


FIG. 5