



US00D440205S

(12) **United States Design Patent**  
**Lord**

(10) **Patent No.:** **US D440,205 S**

(45) **Date of Patent:** **\*\* Apr. 10, 2001**

(54) **ELECTRICAL CONNECTOR**

(75) Inventor: **Charles Lord**, Scottsdale, AZ (US)

(73) Assignee: **Mobility Electronics, Inc.**, Scottsdale, AZ (US)

(\*\*) Term: **14 Years**

(21) Appl. No.: **29/126,302**

(22) Filed: **Jul. 12, 2000**

(51) **LOC (7) Cl.** ..... **13-03**

(52) **U.S. Cl.** ..... **D13/147**

(58) **Field of Search** ..... D13/146, 147;  
439/357, 358, 378

(56) **References Cited**

**U.S. PATENT DOCUMENTS**

- D. 361,989 \* 9/1995 Cox ..... D14/114
- D. 370,463 \* 6/1996 Nagele et al. .... D13/147
- D. 384,330 \* 9/1997 Ichikawa ..... D13/146

- D. 393,830 \* 4/1998 Tobler et al. .... D13/133
- D. 413,893 \* 9/1999 Luzbetak et al. .... D13/147 X

\* cited by examiner

*Primary Examiner*—Joel Sincavage

(74) *Attorney, Agent, or Firm*—Jackson Walker L.L.P.

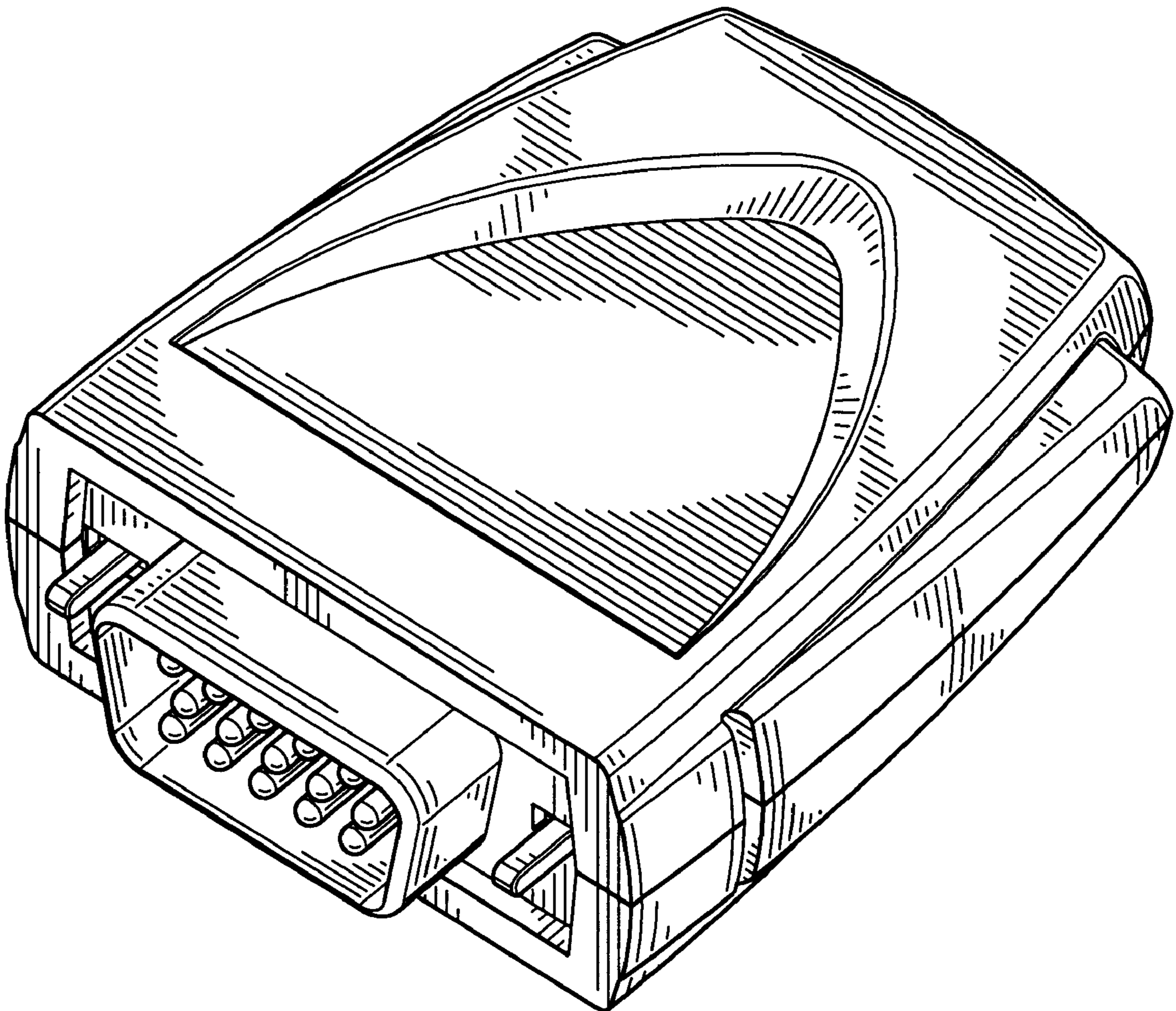
(57) **CLAIM**

The ornamental design for an electrical connector, as shown and described.

**DESCRIPTION**

FIG. 1 is a top, front and right side perspective view of an electrical connector showing my new design;  
 FIG. 2 is a top plan view thereof, the bottom side being a mirror image;  
 FIG. 3 is a top, rear and left side perspective view thereof;  
 FIG. 4 is a front elevation view thereof;  
 FIG. 5 is a rear elevation view thereof; and,  
 FIG. 6 is a left side elevation view thereof, the right side being a mirror image.

**1 Claim, 2 Drawing Sheets**



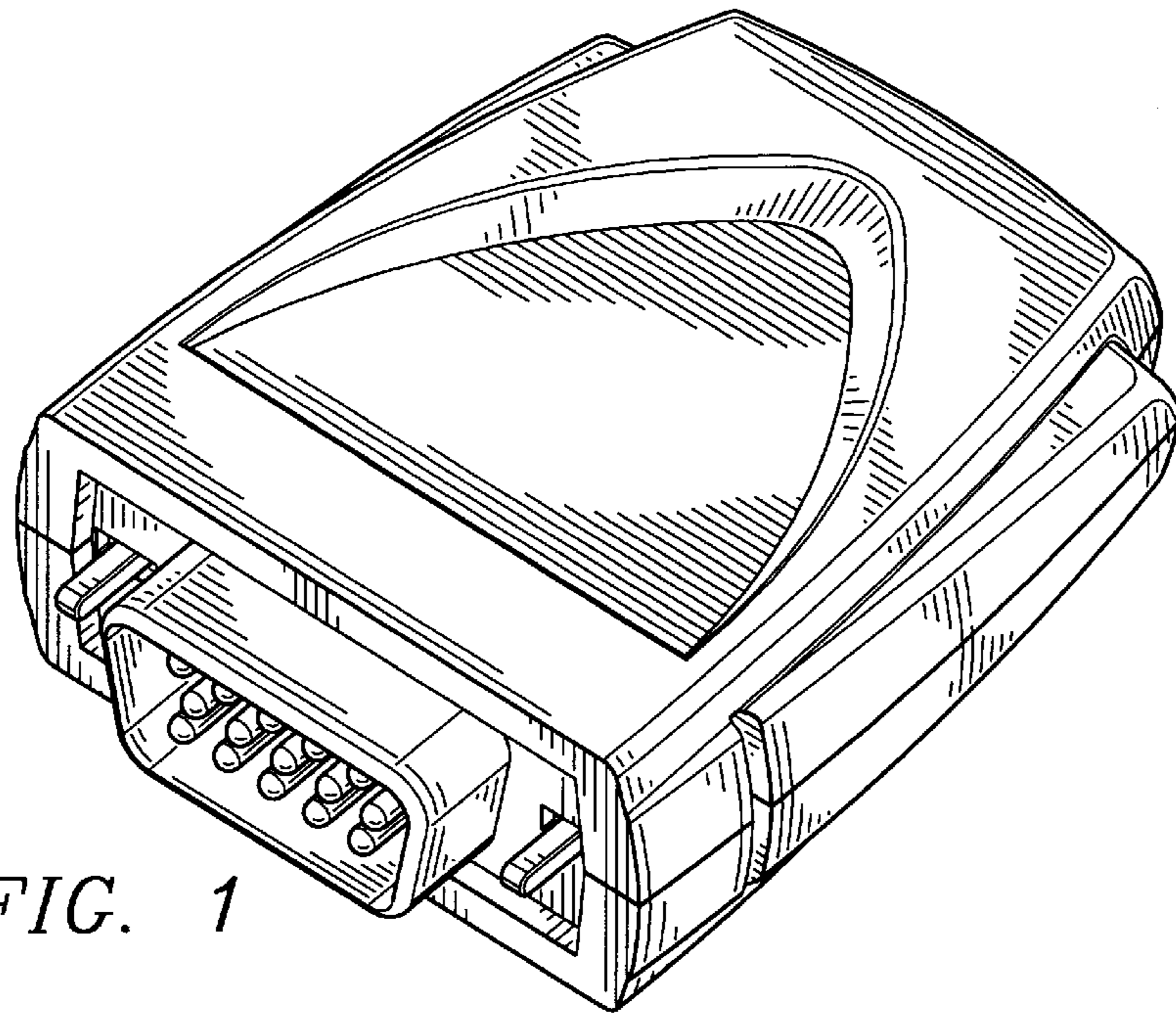


FIG. 1

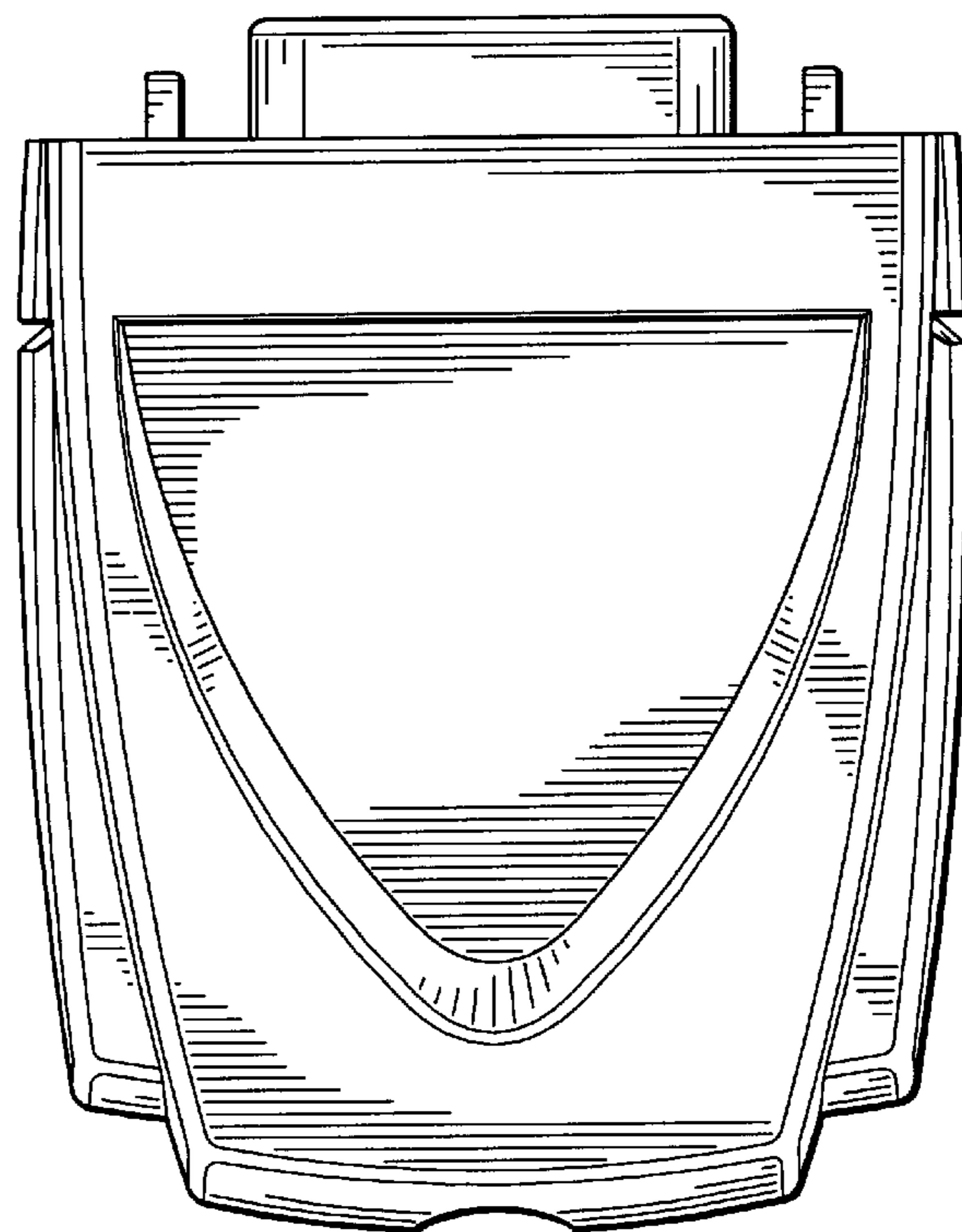
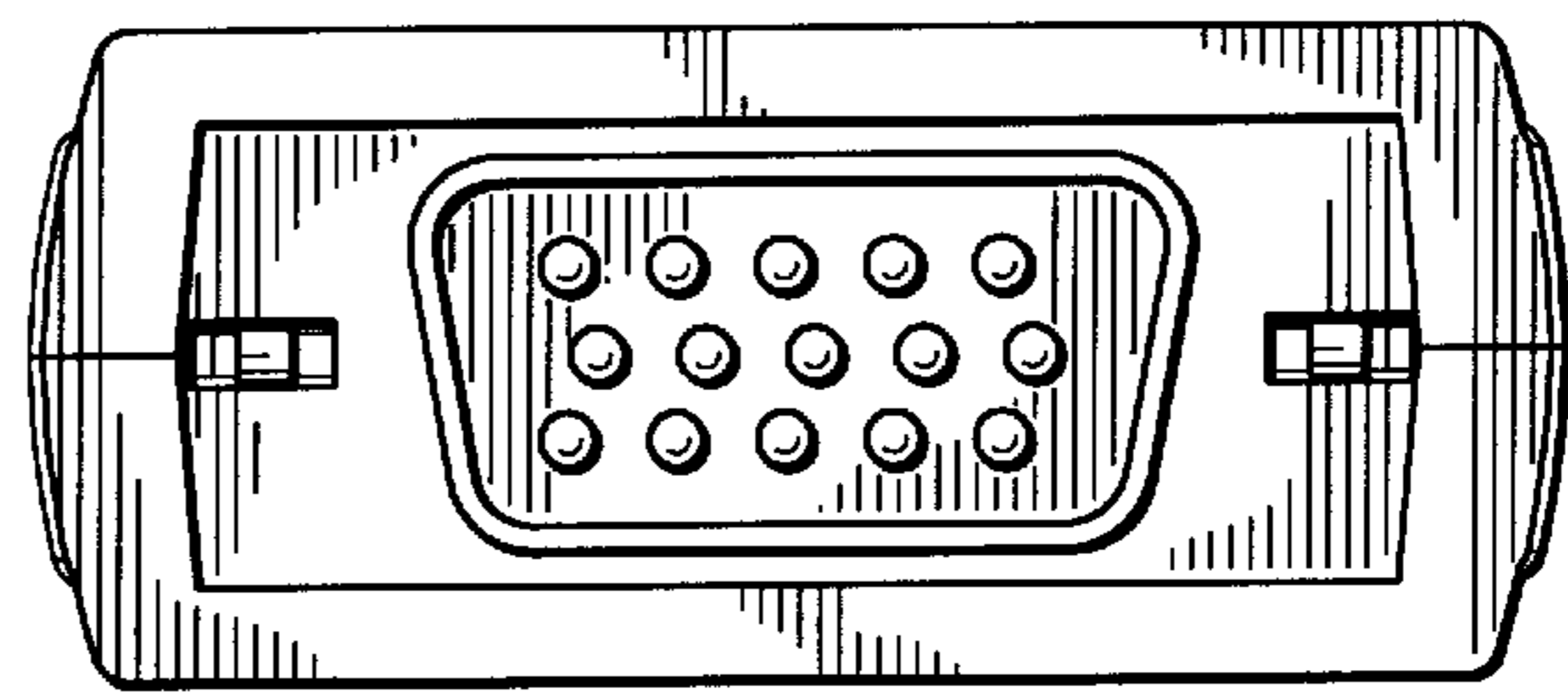
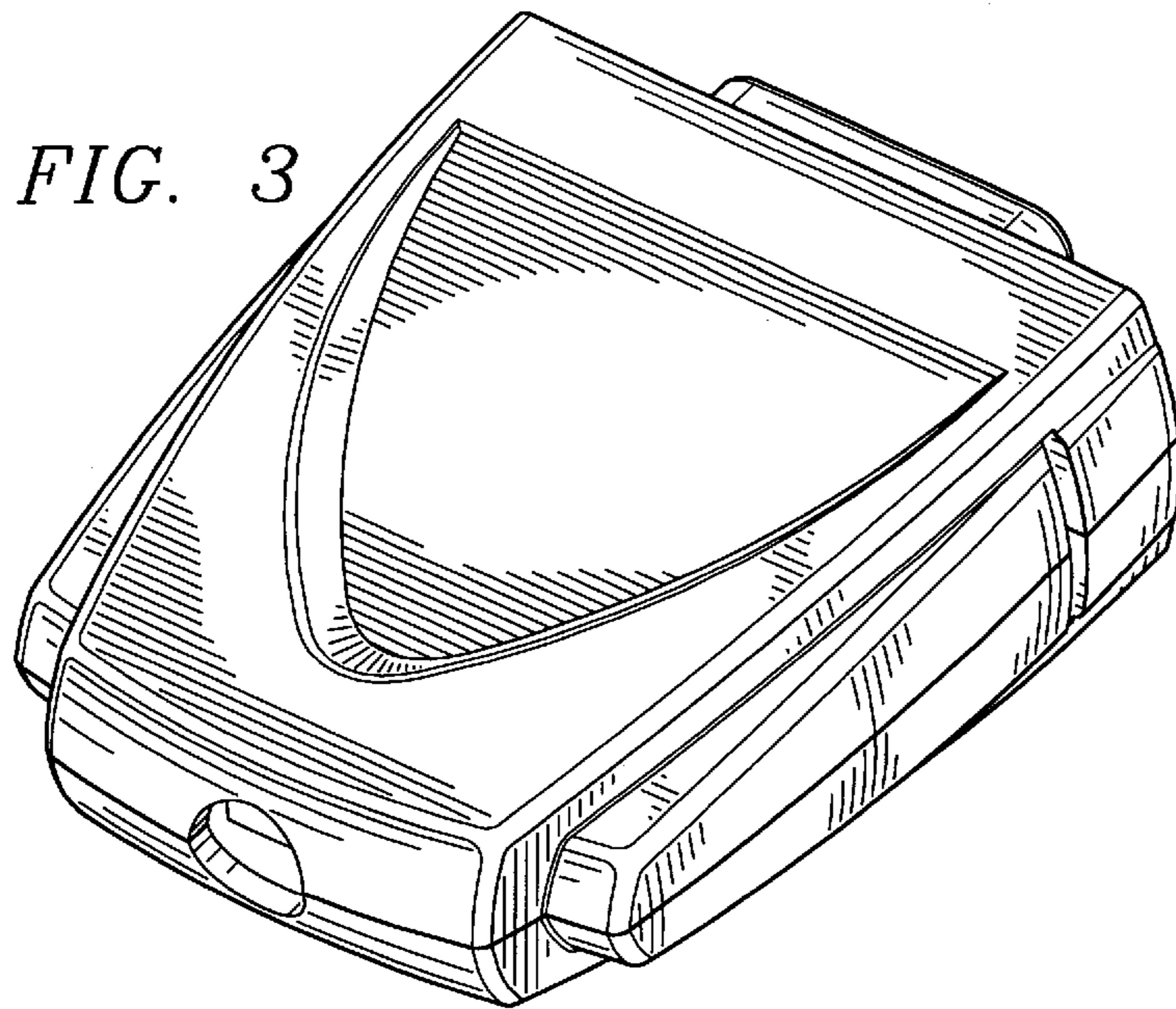
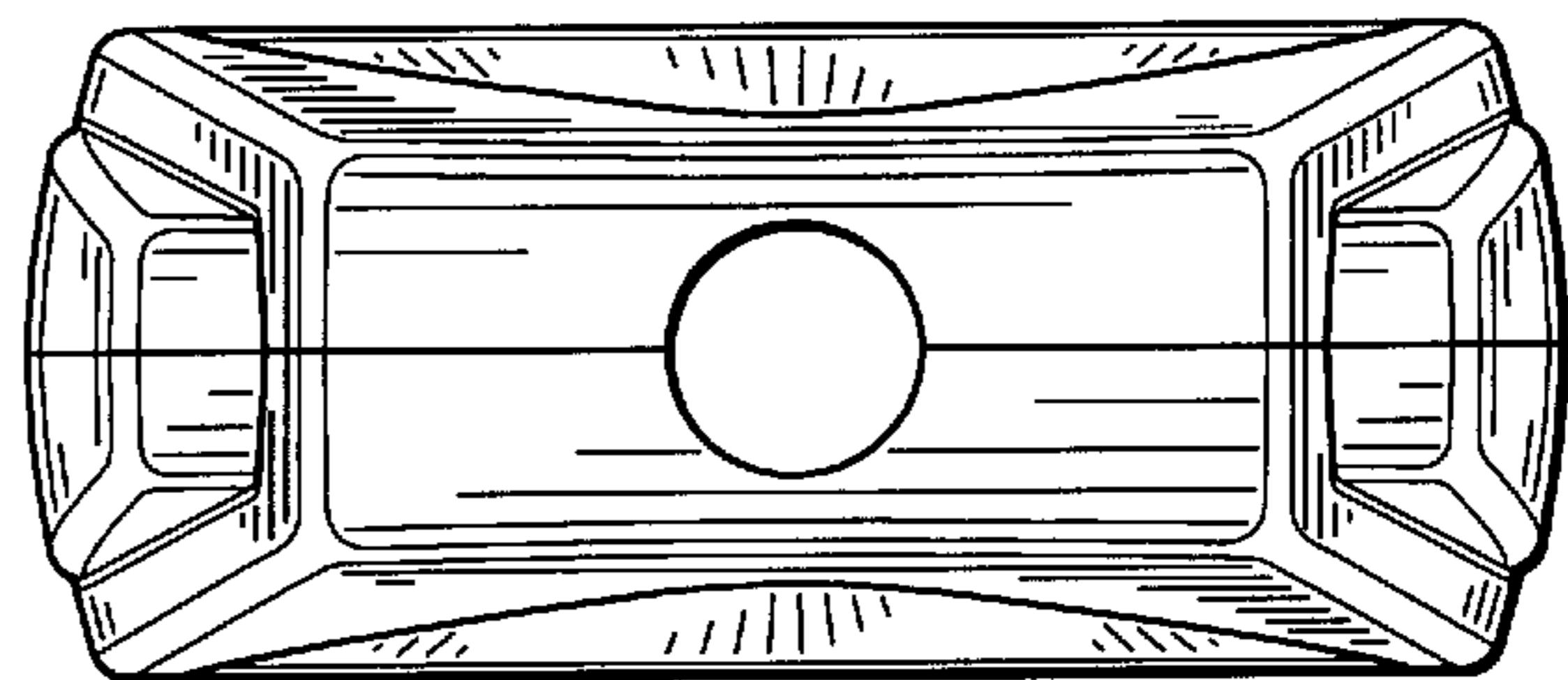


FIG. 2

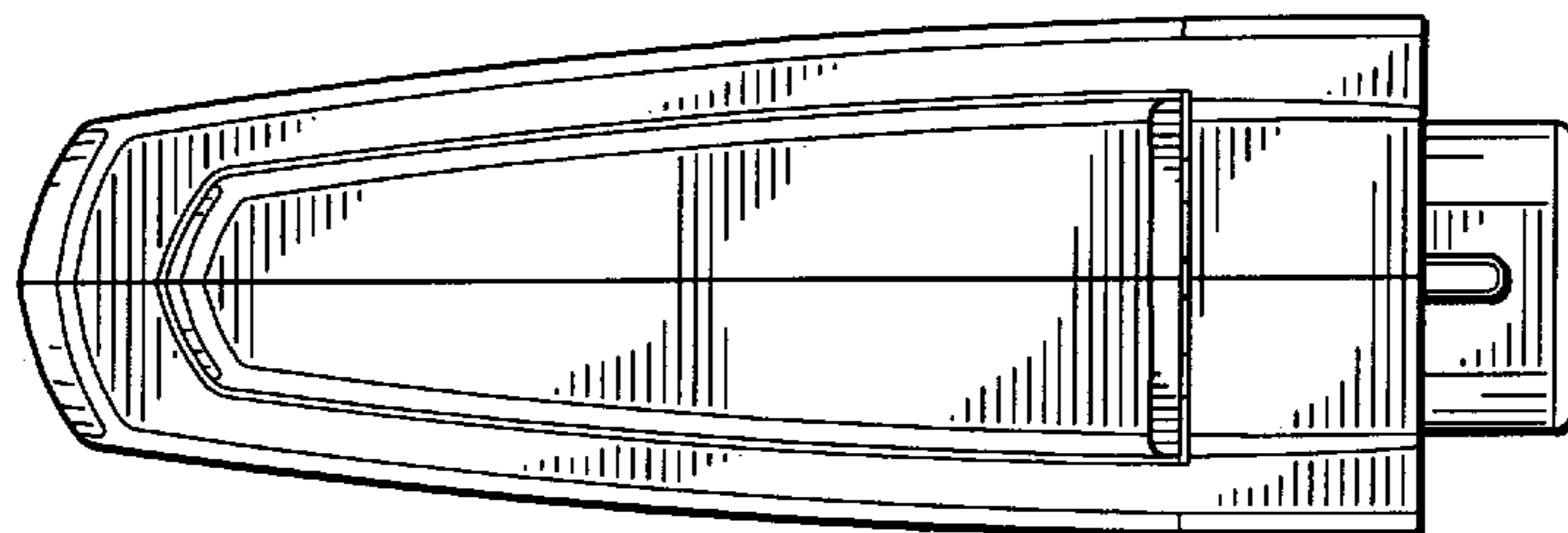




*FIG. 4*



*FIG. 5*



*FIG. 6*