



US00D440204S

(12) **United States Design Patent**  
**Echito**

(10) **Patent No.:** **US D440,204 S**

(45) **Date of Patent:** **\*\* Apr. 10, 2001**

(54) **FAIRED ELECTRICAL HOUSING**

5,232,381 \* 8/1993 Yu ..... 439/652

(75) Inventor: **Cory Echito**, San Diego, CA (US)

\* cited by examiner

(73) Assignee: **Westek Associates**, San Diego, CA (US)

*Primary Examiner*—Susan J. Lucas

*Assistant Examiner*—Jennifer Rivard

(\*\*) Term: **14 Years**

(74) *Attorney, Agent, or Firm*—Brown, Martin, Haller & McClain

(21) Appl. No.: **29/120,524**

(57) **CLAIM**

(22) Filed: **Mar. 20, 2000**

The ornamental design for a faired electrical housing, as shown.

(51) **LOC (7) Cl.** ..... **13-03**

**DESCRIPTION**

(52) **U.S. Cl.** ..... **D13/139.1**

(58) **Field of Search** ..... D13/137.1, 137.2,  
D13/139.1; 439/106, 107, 650, 652, 682,  
685, 686

FIG. 1 is a perspective view of a faired electrical housing showing my new design;

FIG. 2 is a side elevational view thereof;

FIG. 3 is a rear view thereof;

FIG. 4 is a top plan view thereof;

FIG. 5 is a bottom view thereof; and,

FIG. 6 is a front plan view thereof.

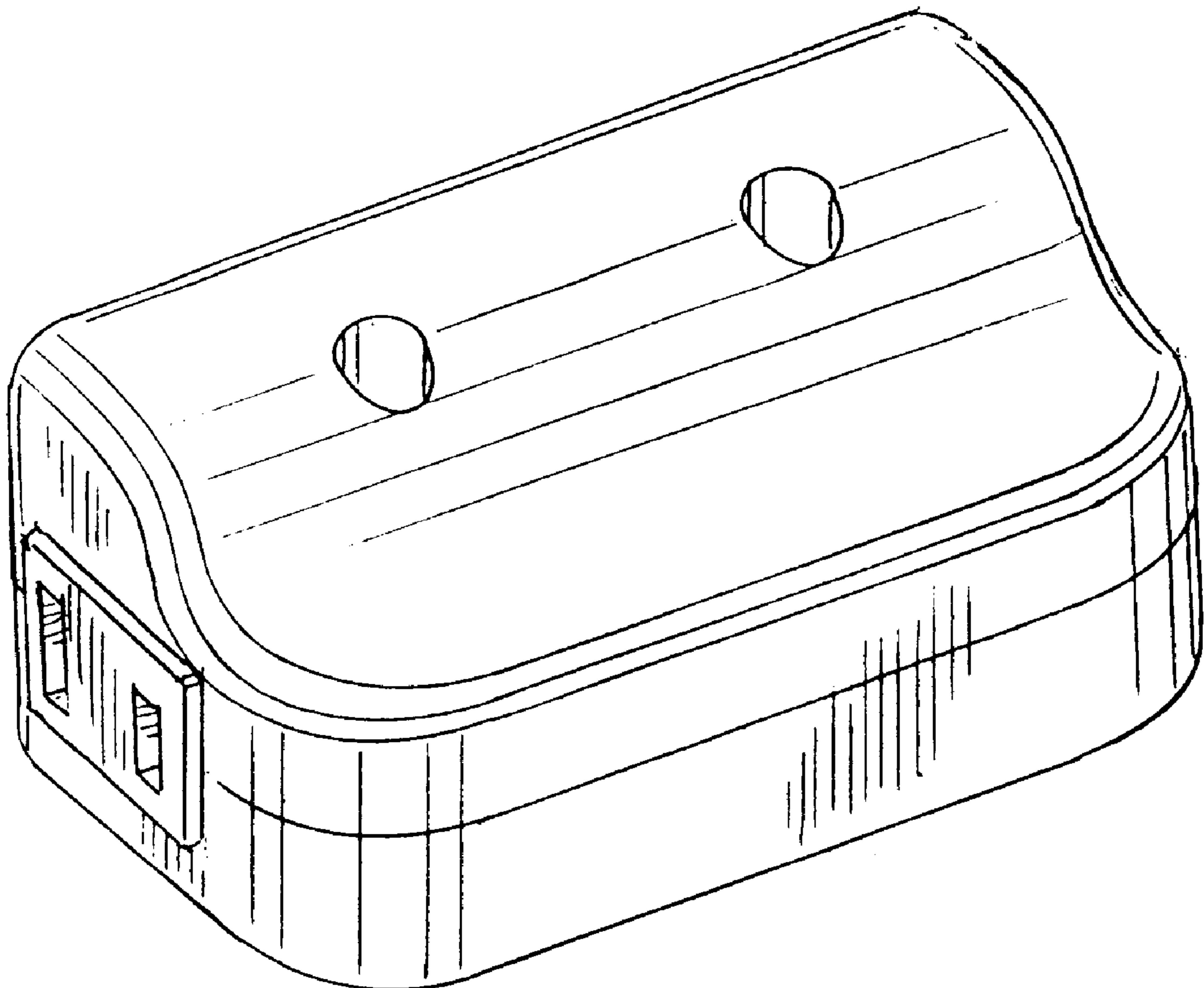
(56) **References Cited**

**U.S. PATENT DOCUMENTS**

D. 350,938 \* 9/1994 Rossman et al. .... D13/137.2

D. 408,011 \* 4/1999 Joss ..... D13/137.2

**1 Claim, 1 Drawing Sheet**



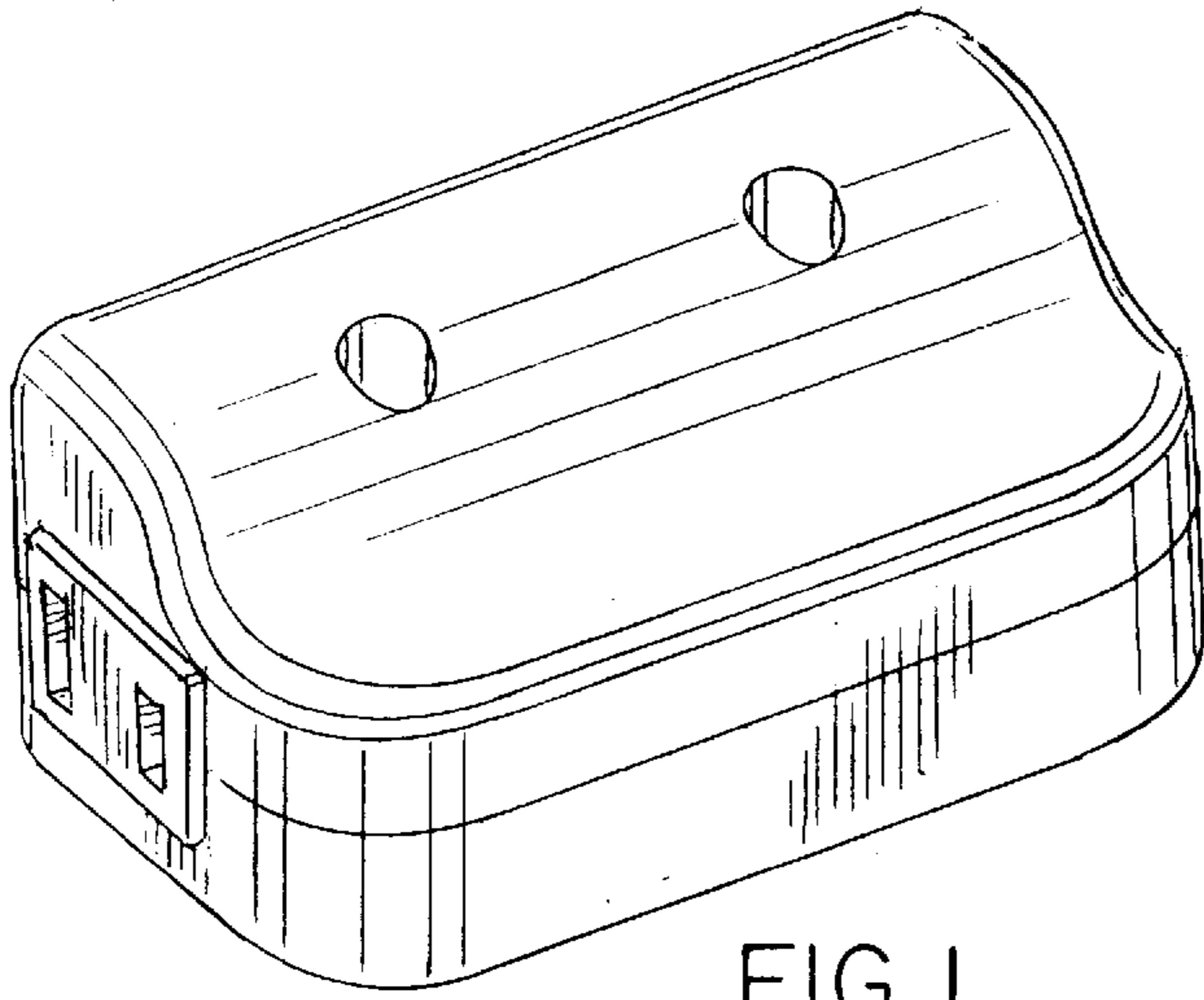


FIG. 1

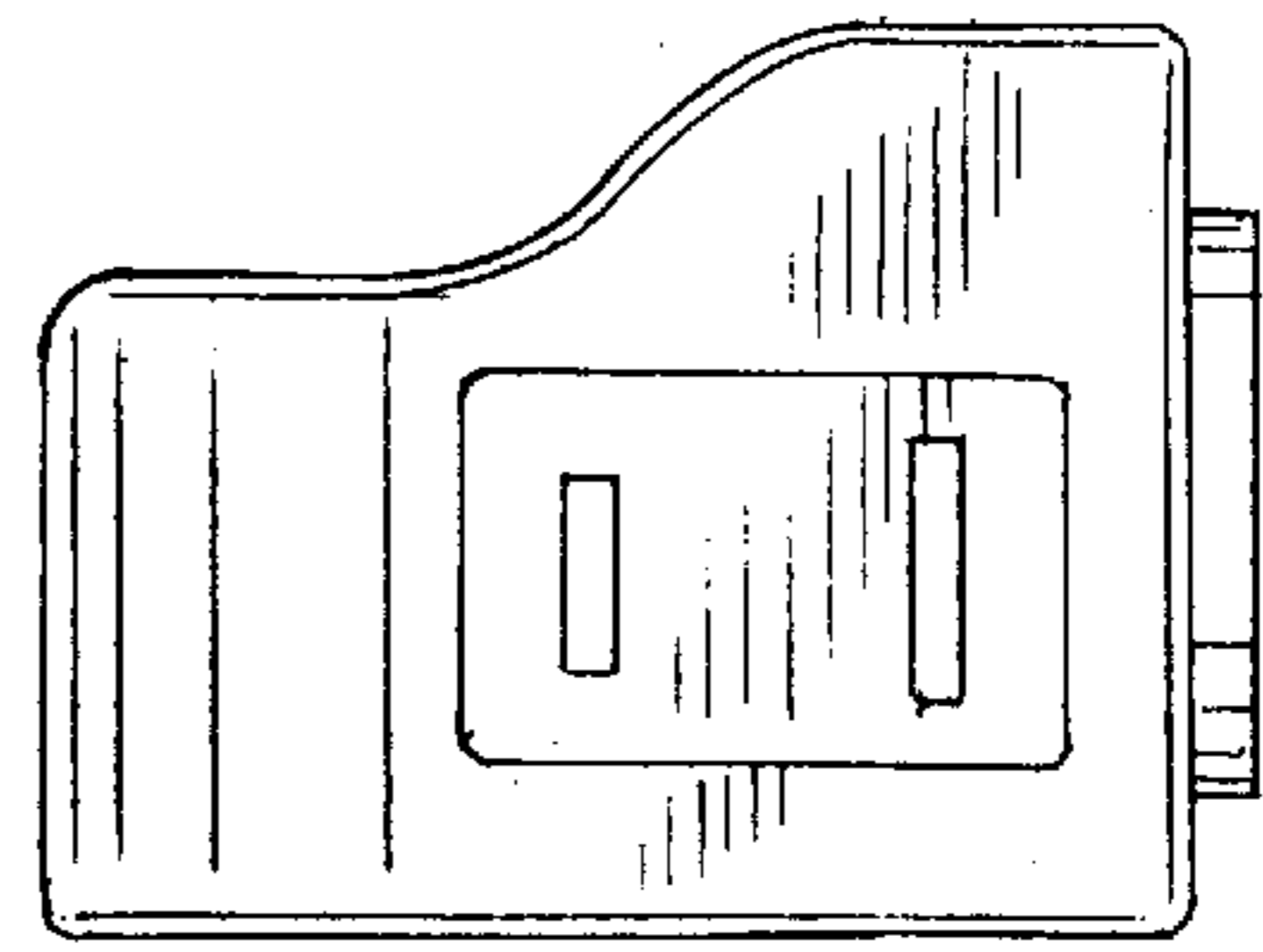


FIG. 2

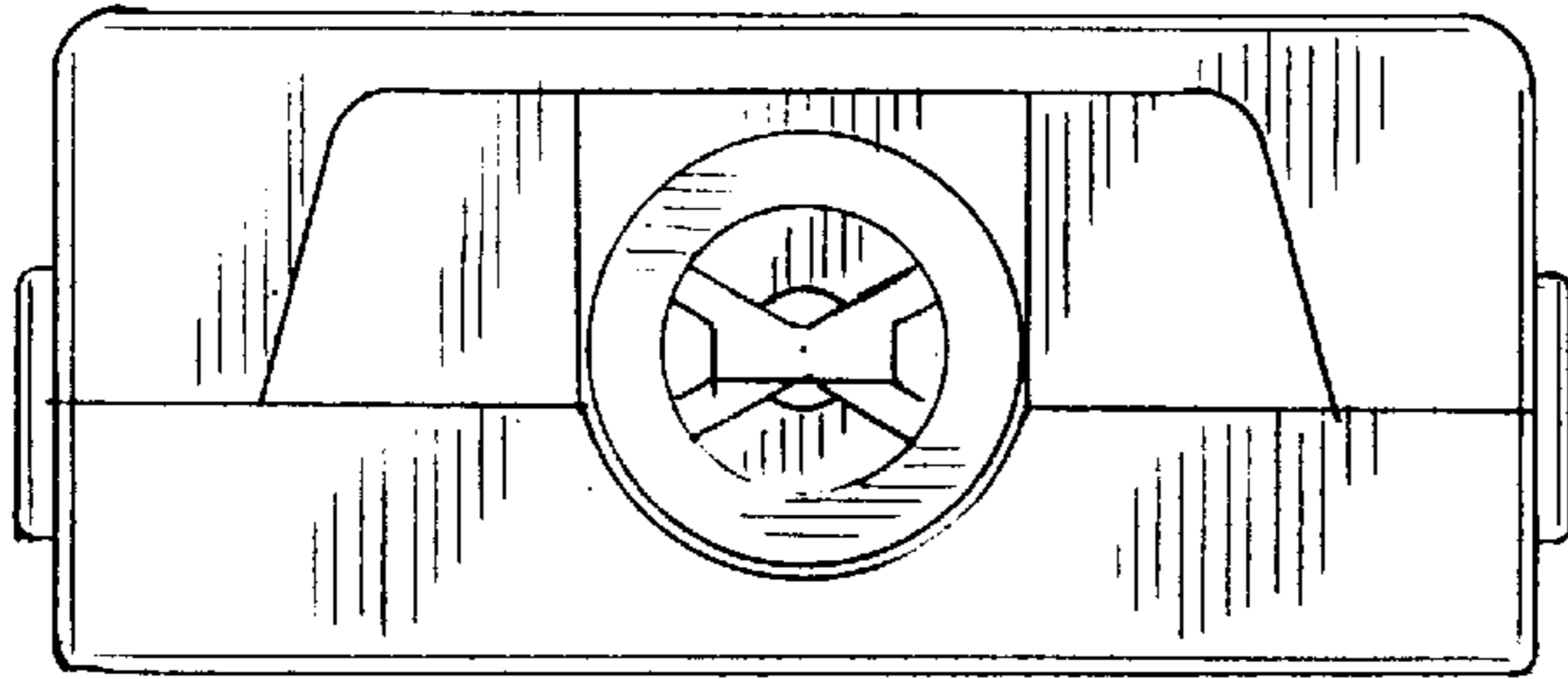


FIG. 3

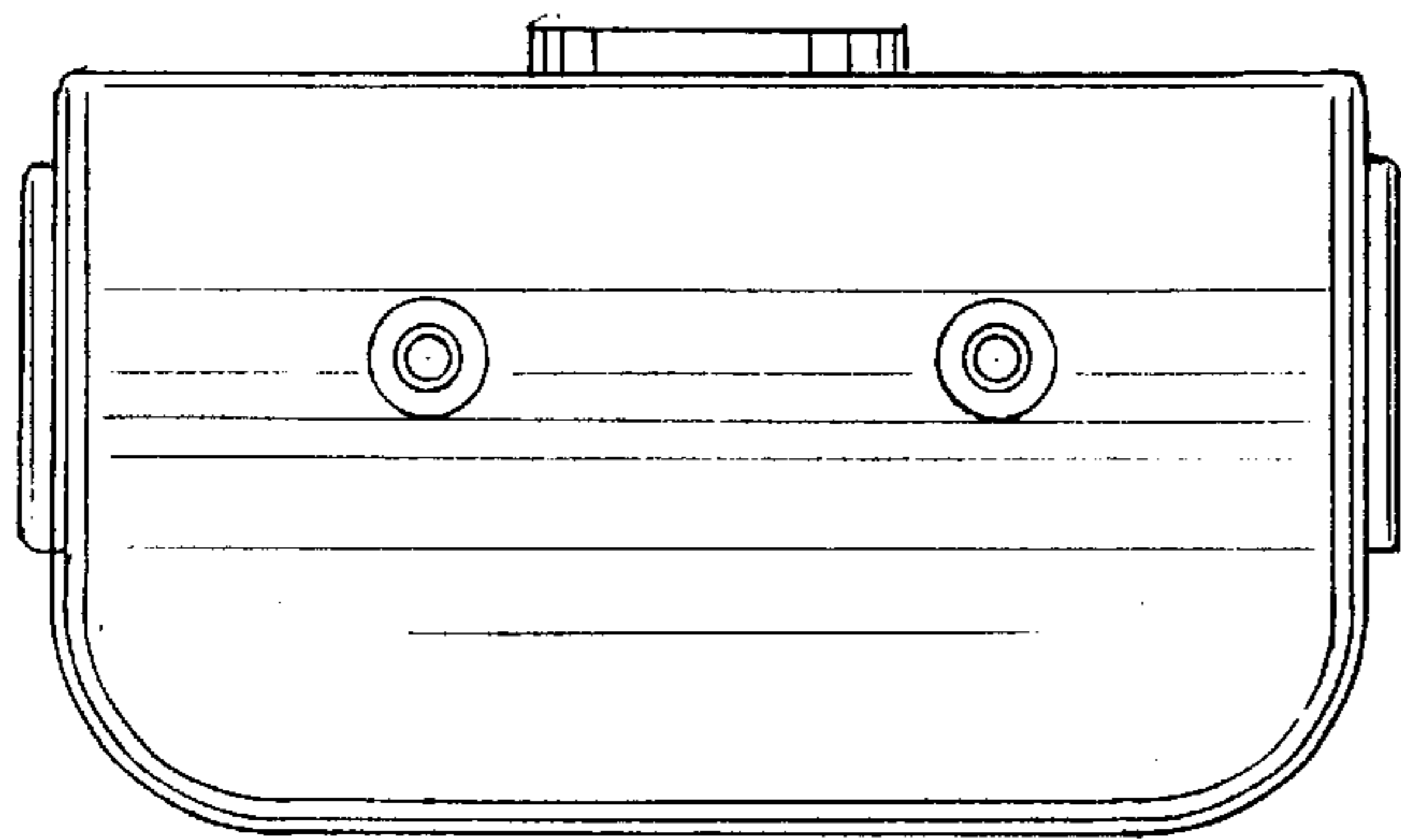


FIG. 4

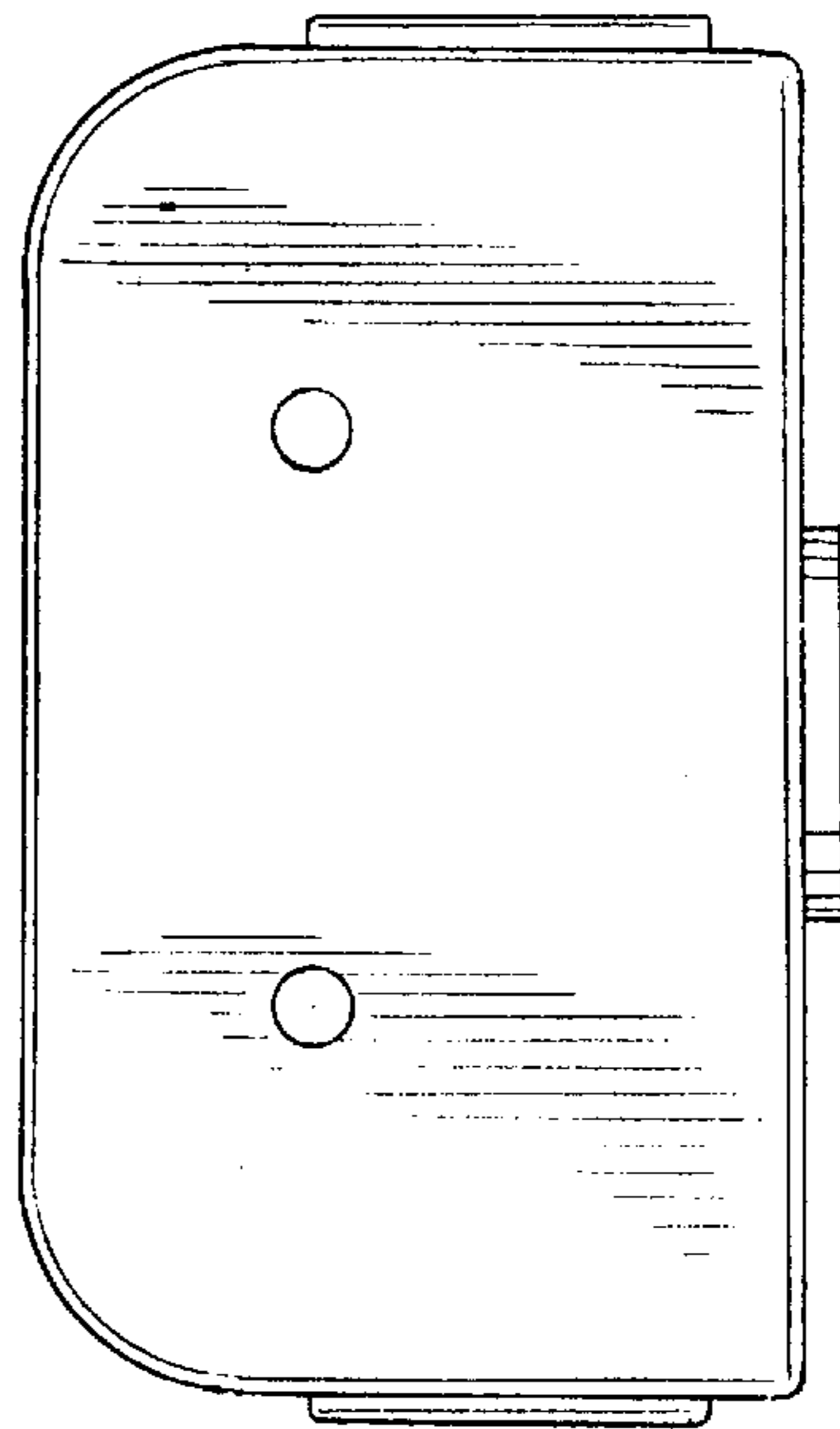


FIG. 5

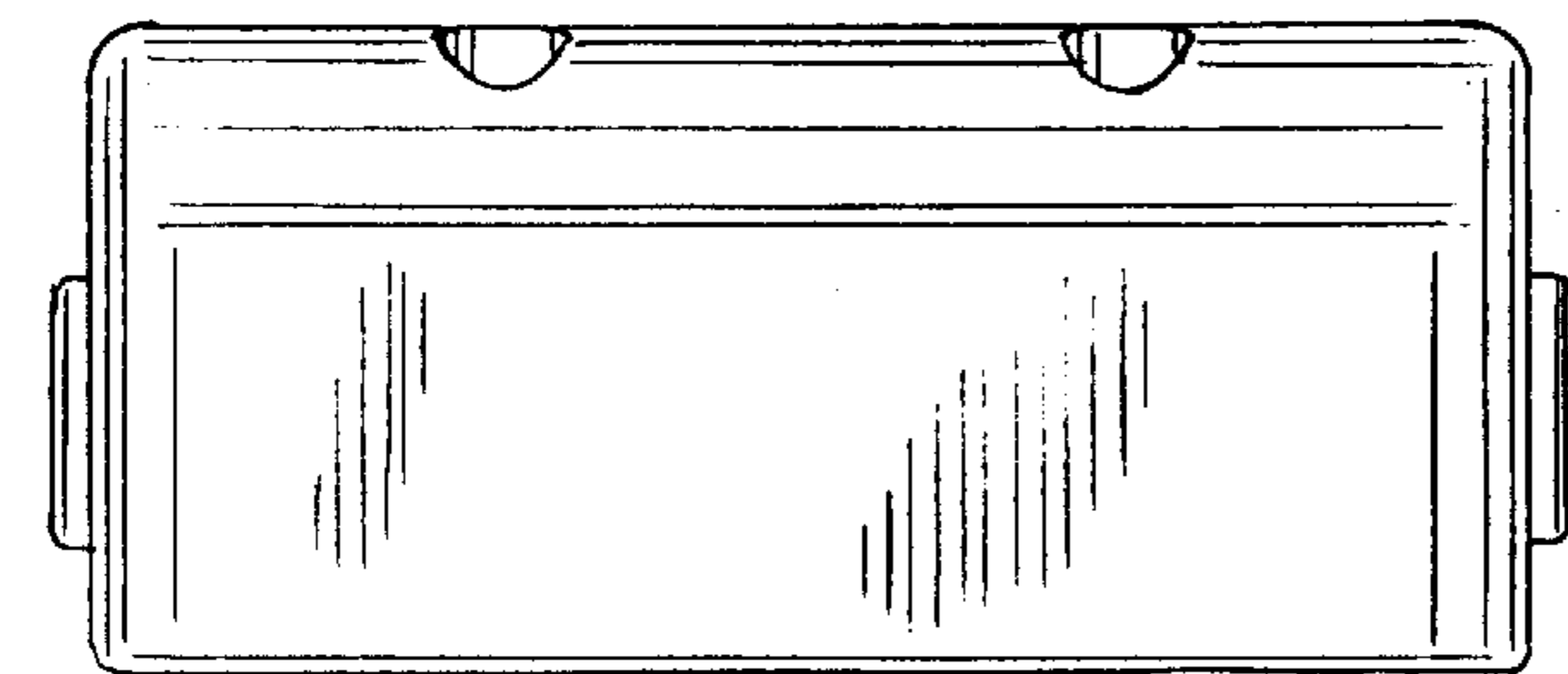


FIG. 6