



US00D440202S

(12) **United States Design Patent**
Heun

(10) **Patent No.:** **US D440,202 S**

(45) **Date of Patent:** **** Apr. 10, 2001**

(54) **BATTERY CHARGER**

(75) Inventor: **Ping Hay Heun, Aberdeen (HK)**

(73) Assignee: **Choon Nang Electrical Appliance Mfy., Ltd., Aberdeen (HK)**

(**) Term: **14 Years**

(21) Appl. No.: **29/128,783**

(22) Filed: **Aug. 31, 2000**

(30) **Foreign Application Priority Data**

Mar. 15, 2000 (GB) 2091394

(51) **LOC (7) Cl.** **13-02**

(52) **U.S. Cl.** **D13/107**

(58) **Field of Search** D13/107, 108;
320/110-115

(56) **References Cited**

U.S. PATENT DOCUMENTS

- D. 313,004 * 12/1990 Hasegawa et al. D13/108
- D. 321,337 * 11/1991 Sakamoto et al. D13/108
- D. 327,669 * 7/1992 Sakamoto et al. D13/108

- D. 404,006 * 1/1999 Clowers et al. D13/107
- D. 417,649 * 12/1999 Higgins et al. D13/107
- D. 429,211 * 8/2000 Ohi et al. D13/107

* cited by examiner

Primary Examiner—Joel Sincavage

(74) *Attorney, Agent, or Firm*—Leydig, Voit & Mayer, Ltd.

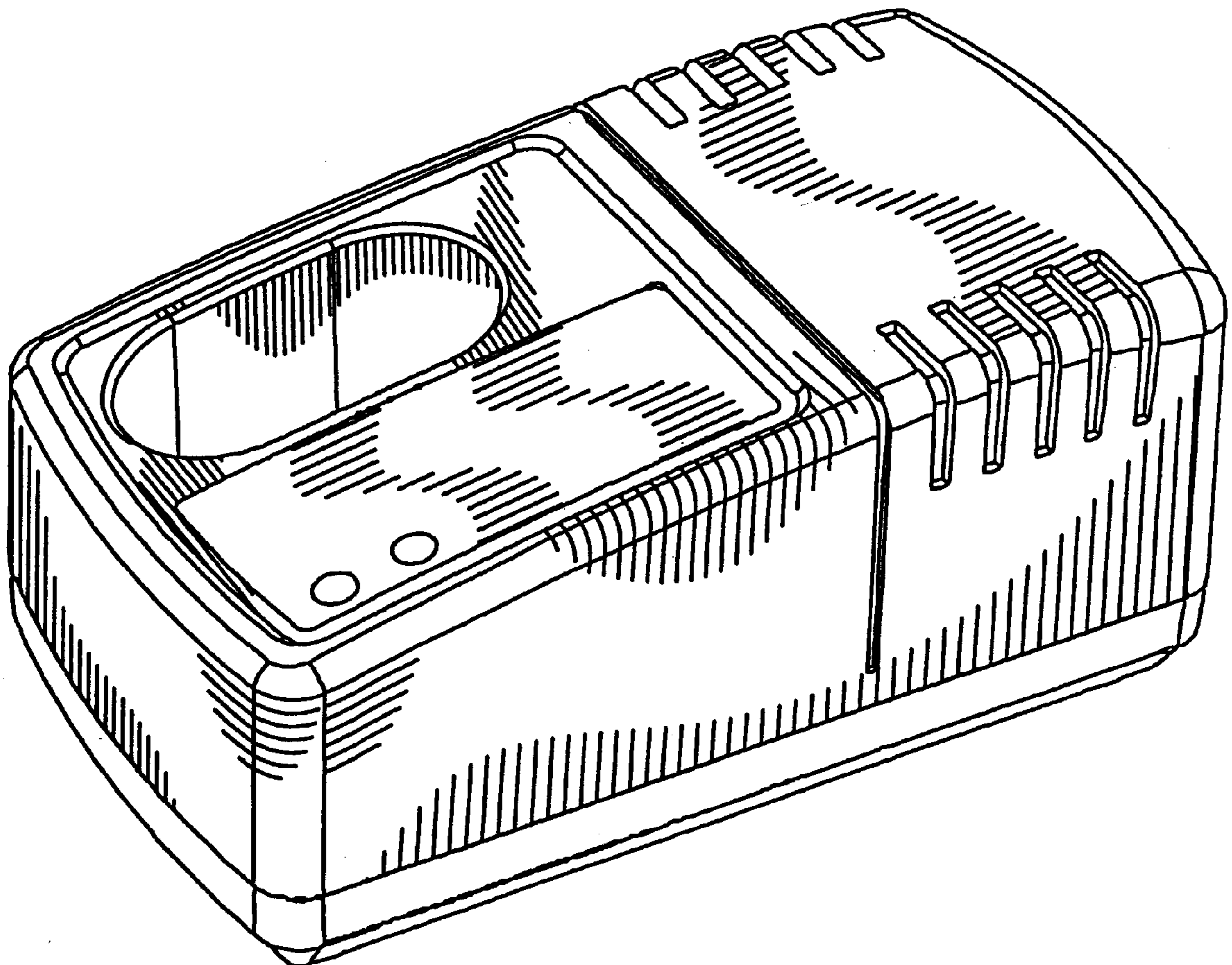
(57) **CLAIM**

The ornamental design for a battery charger, as shown and described.

DESCRIPTION

FIG. 1 is a front end, right side and top perspective view of a battery charger showing my new design;
 FIG. 2 is a rear end, left side and top perspective view thereof;
 FIG. 3 is a top plan view thereof;
 FIG. 4 is a bottom plan view thereof;
 FIG. 5 is a right side elevational view thereof;
 FIG. 6 is a left side elevational view thereof;
 FIG. 7 is a front end elevational view thereof; and,
 FIG. 8 is a rear end elevational view thereof.

1 Claim, 4 Drawing Sheets



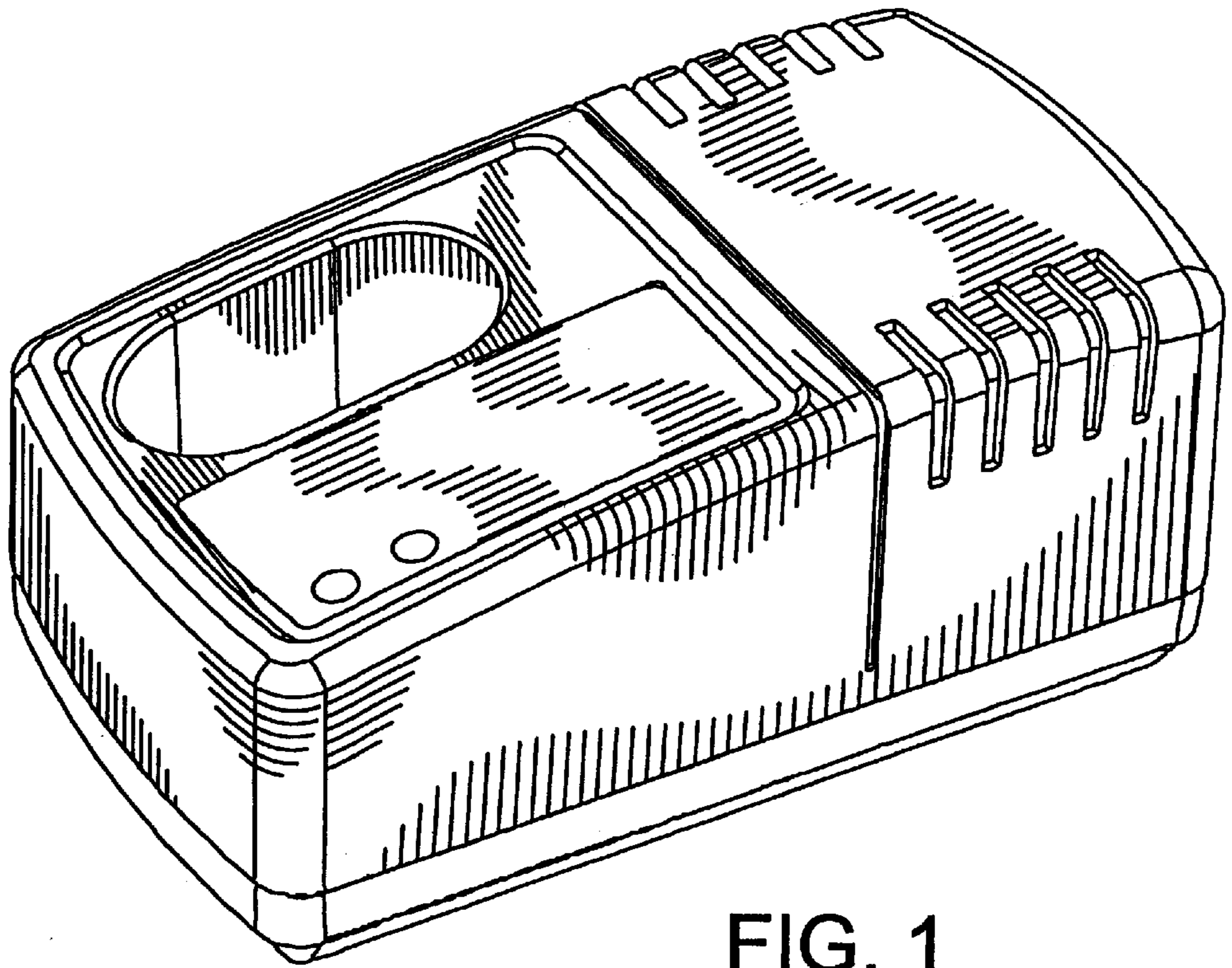


FIG. 1

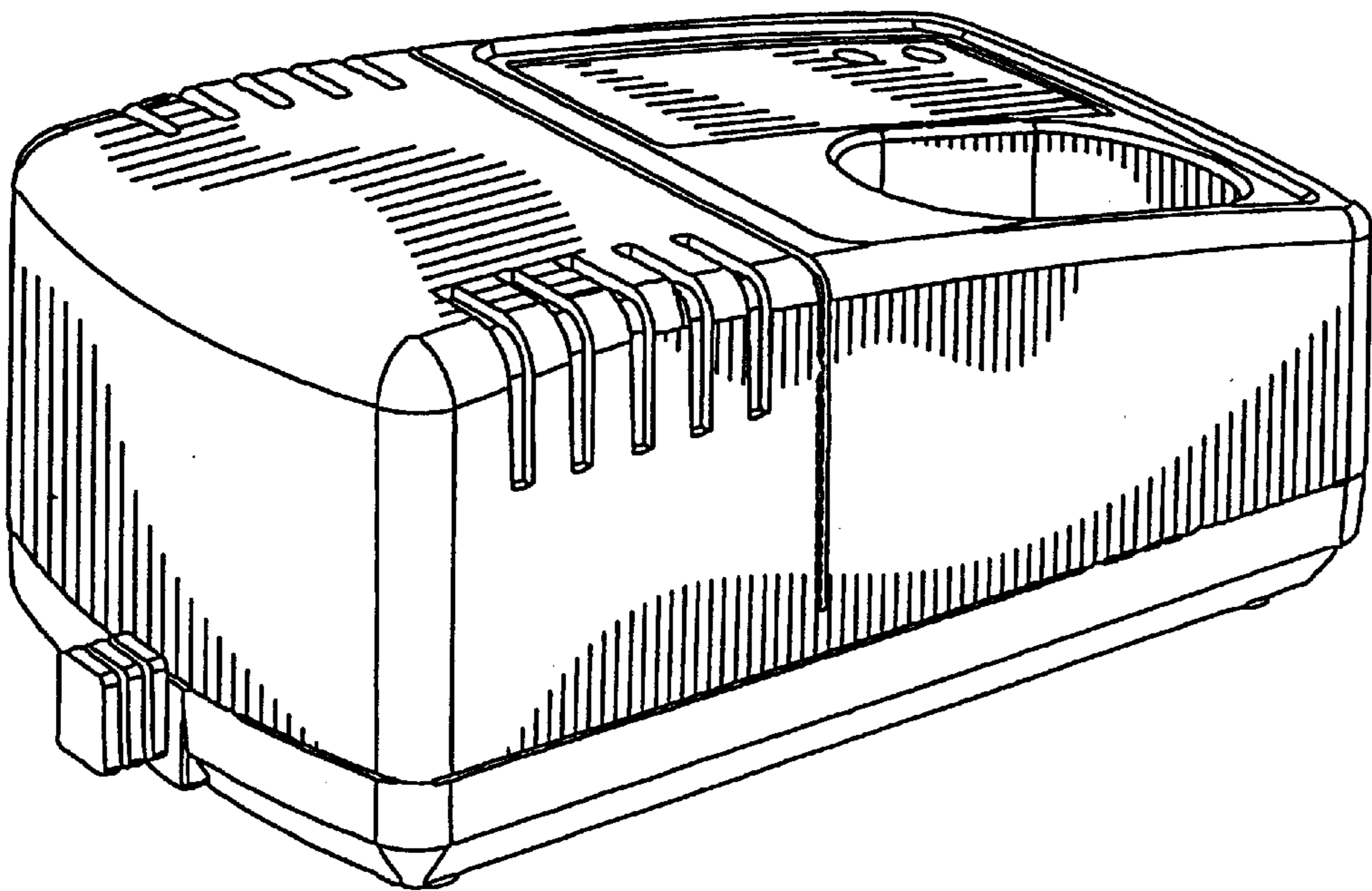


FIG. 2

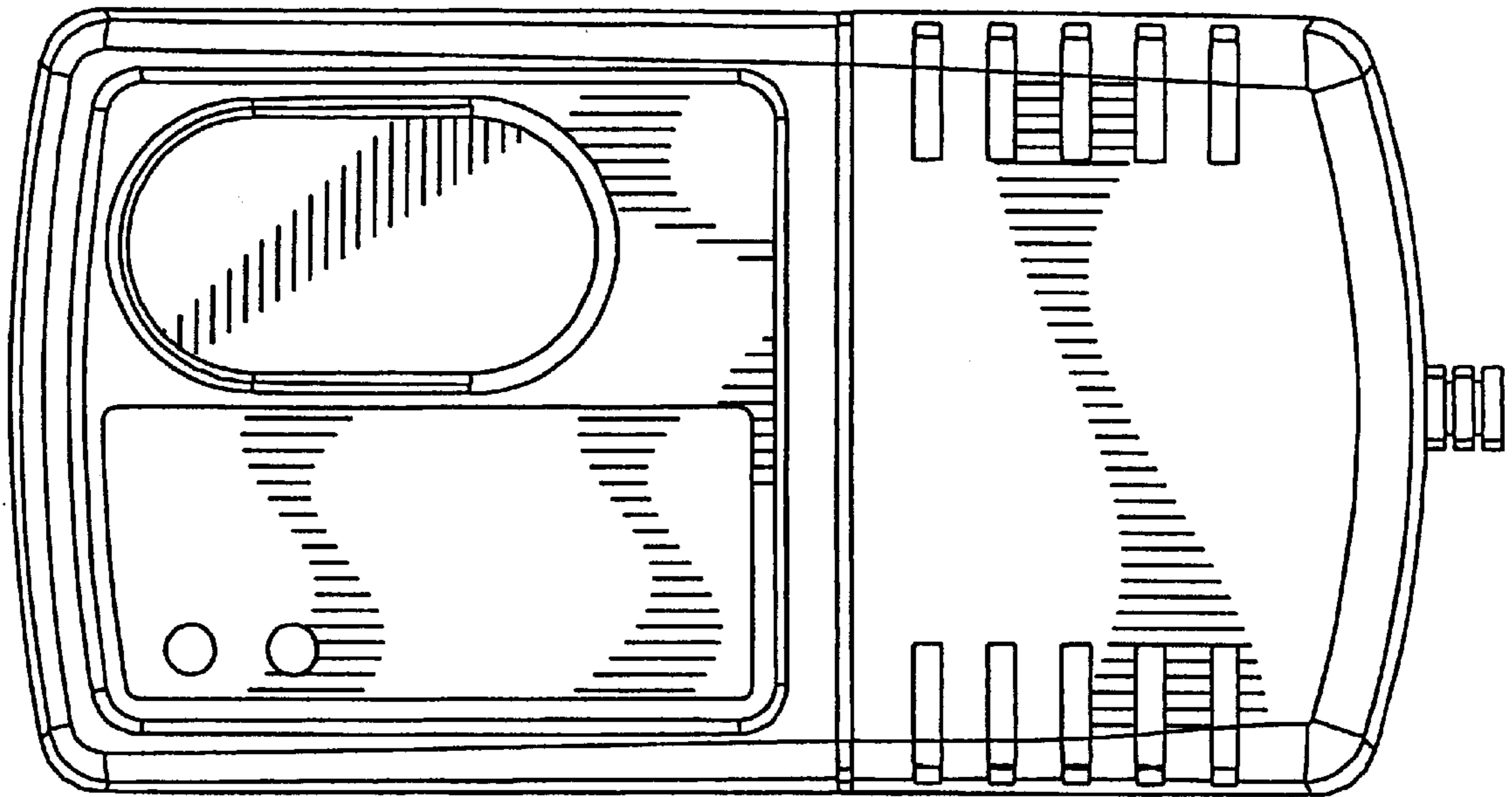


FIG. 3

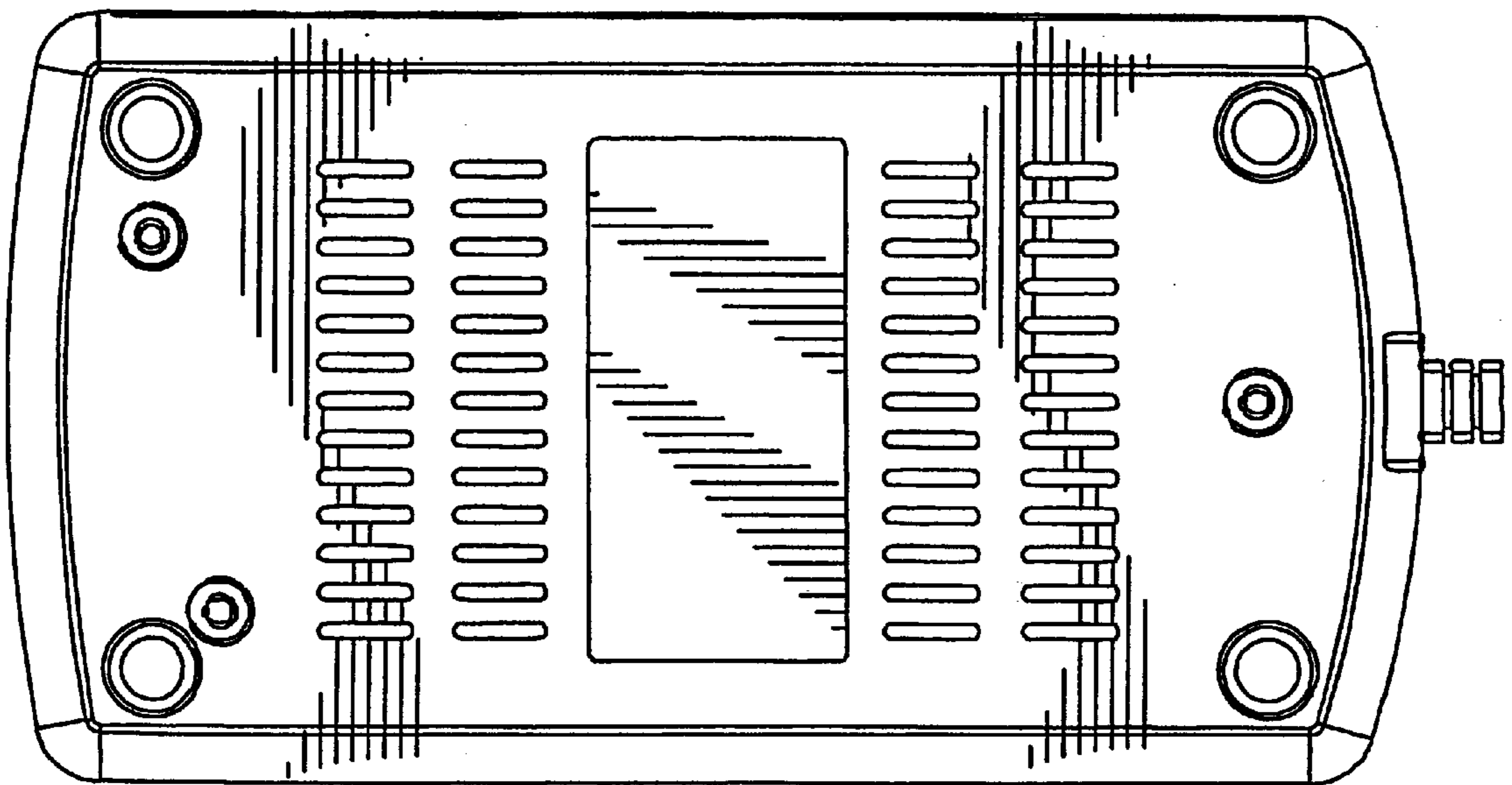


FIG. 4

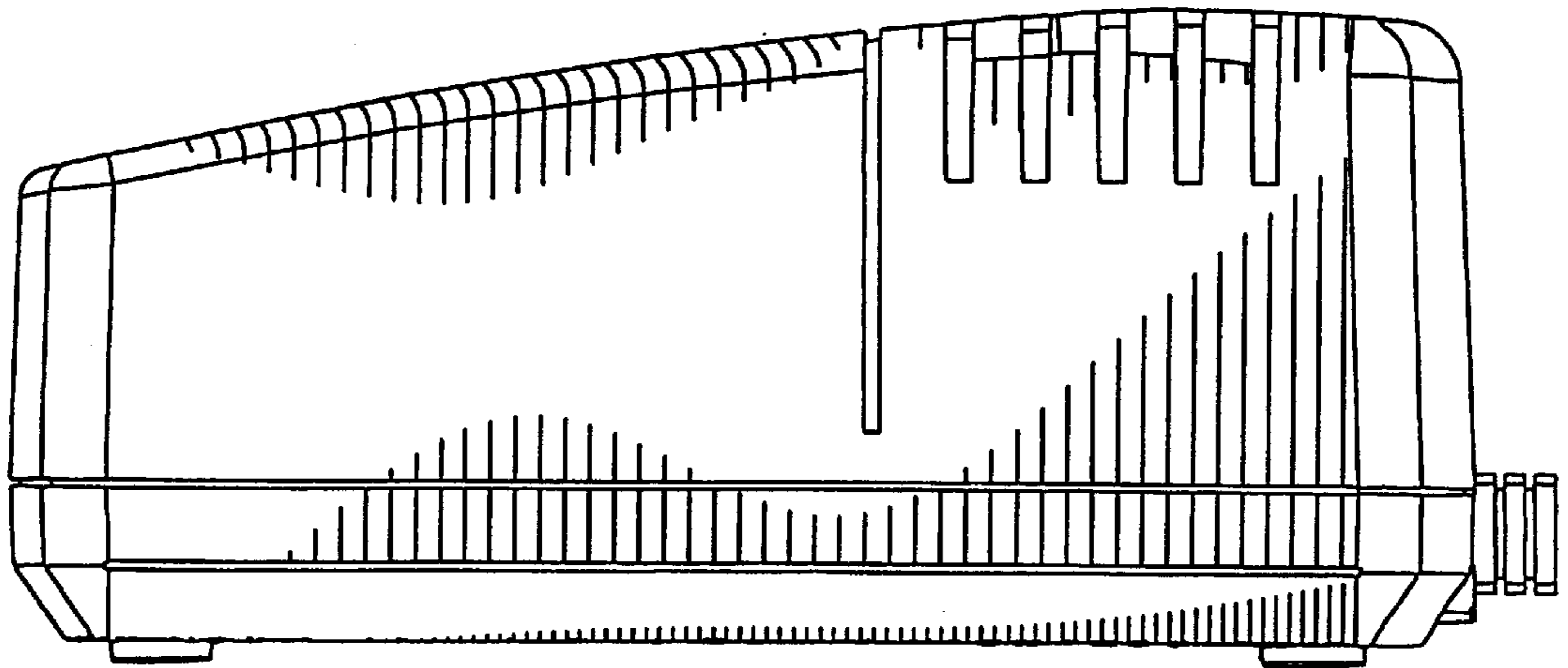


FIG. 5

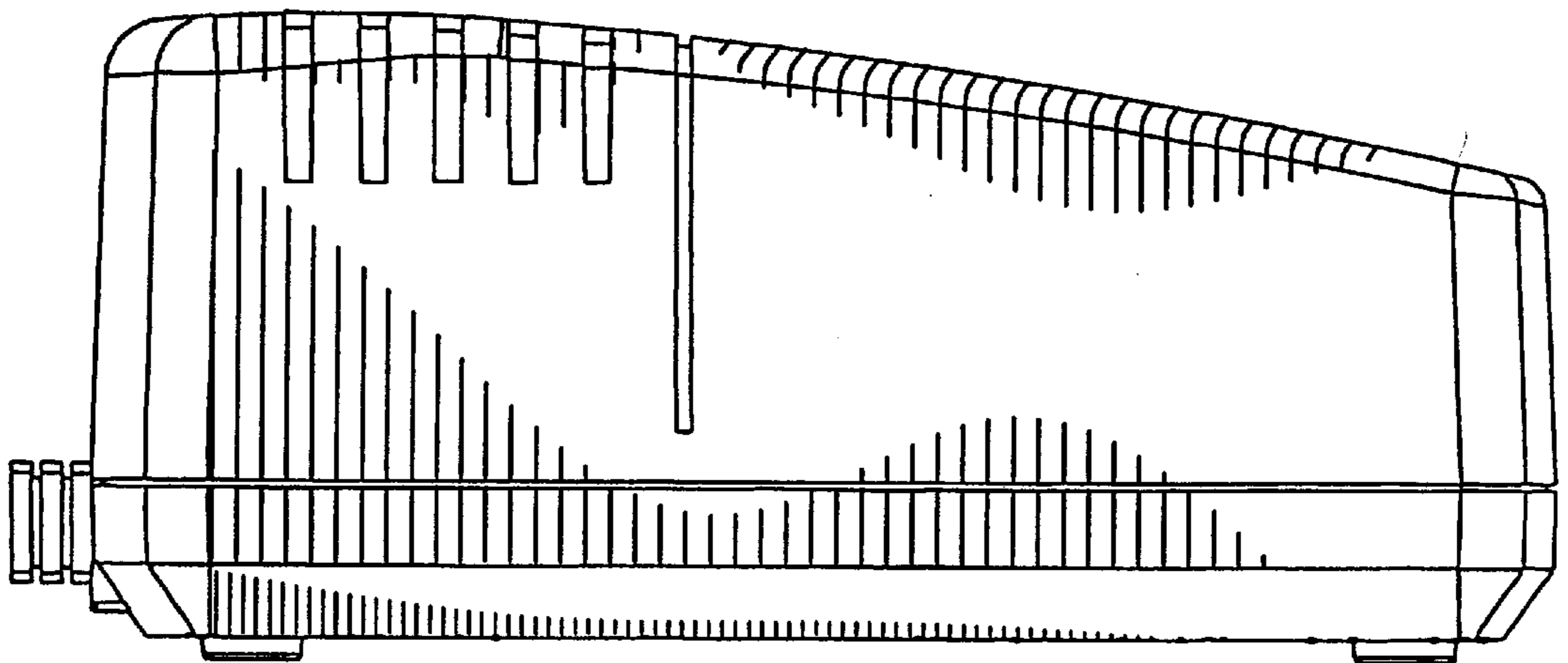


FIG. 6

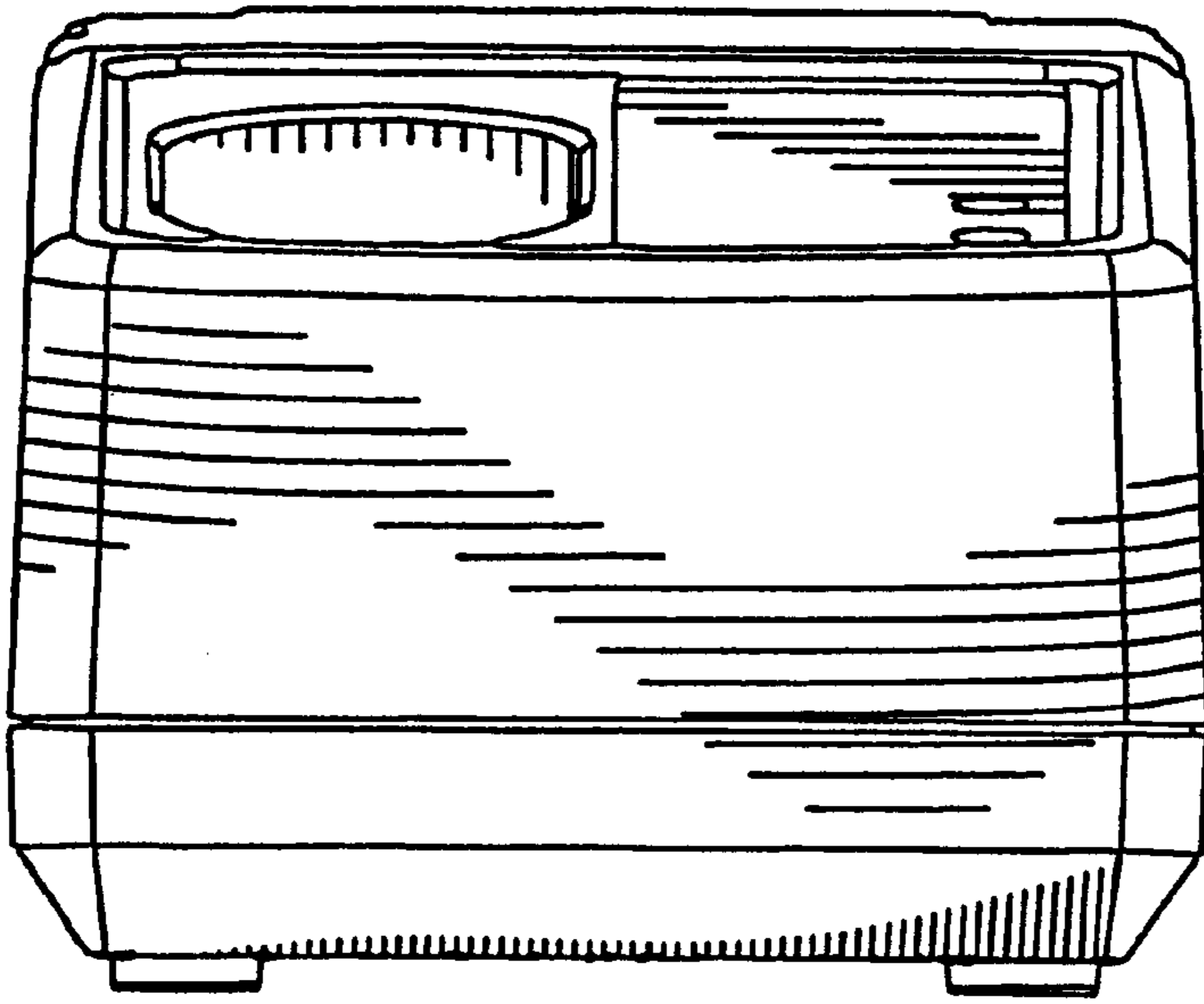


FIG. 7

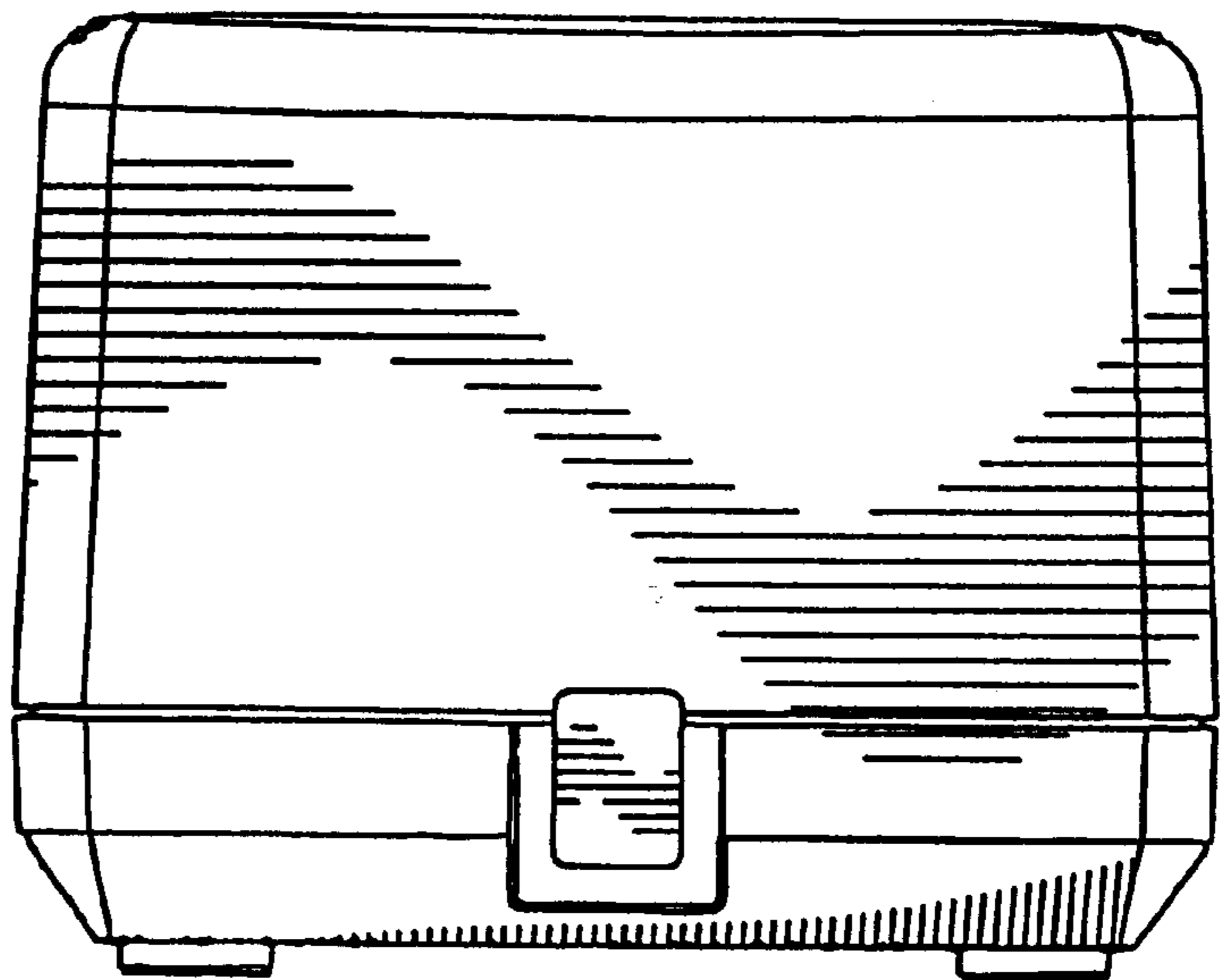


FIG. 8