



US00D440194S

(12) **United States Design Patent**
Hussaini et al.

(10) **Patent No.:** **US D440,194 S**

(45) **Date of Patent:** **** Apr. 10, 2001**

(54) **LICENSE PLATE HOLDER**

D. 411,975 * 7/1999 Spencer D12/193

(75) Inventors: **Saied Hussaini; Marc Iacovelli**, both
of Miami, FL (US)

* cited by examiner

Primary Examiner—Stacia Cadmus

(73) Assignee: **Rally Manufacturing, Inc.**, Miami, FL
(US)

(74) *Attorney, Agent, or Firm*—Liniak, Berenato, Longacre
& White

(**) Term: **14 Years**

(57) **CLAIM**

(21) Appl. No.: **29/131,863**

The ornamental design for a license plate holder, as shown
and described.

(22) Filed: **Oct. 30, 2000**

DESCRIPTION

(51) **LOC (7) Cl.** **12-16**

(52) **U.S. Cl.** **D12/193**

(58) **Field of Search** D12/193; D6/300–303,
D6/310–314; 40/200–203, 207–216

FIG. 1 is a Front View of the license plate holder according
to the present invention;

FIG. 2 is a rear view of the license plate holder of FIG. 1;

FIG. 3 is a top view of the license plate holder of FIG. 1;

FIG. 4 is a bottom view of the license plate holder of FIG.
1;

FIG. 5 is a left side view of the license plate holder of FIG.
1;

FIG. 6 is a right side view of the license plate holder of FIG.
1; and,

FIG. 7 is a front elevational perspective view of the license
plate holder of FIG. 1.

(56) **References Cited**

U.S. PATENT DOCUMENTS

- D. 327,047 * 6/1992 Corey D12/193
- D. 345,541 * 3/1994 Schmitz D12/193
- D. 377,927 * 2/1997 Kreidt D12/193
- D. 379,450 * 5/1997 Clark et al. D12/193
- D. 398,270 * 9/1998 Spencer D12/193
- D. 402,610 * 12/1998 Spencer D12/193

1 Claim, 3 Drawing Sheets

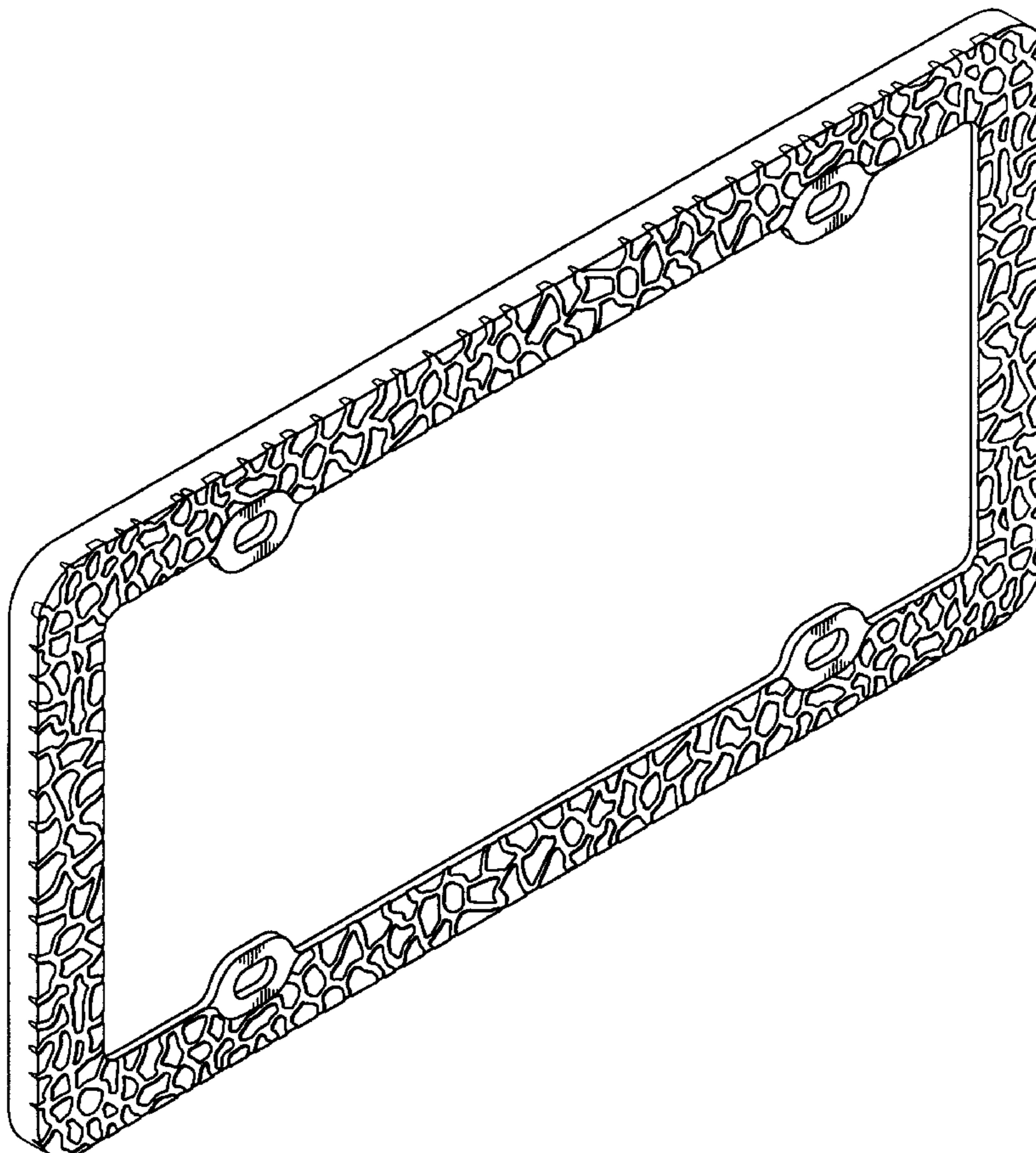


Fig. 1

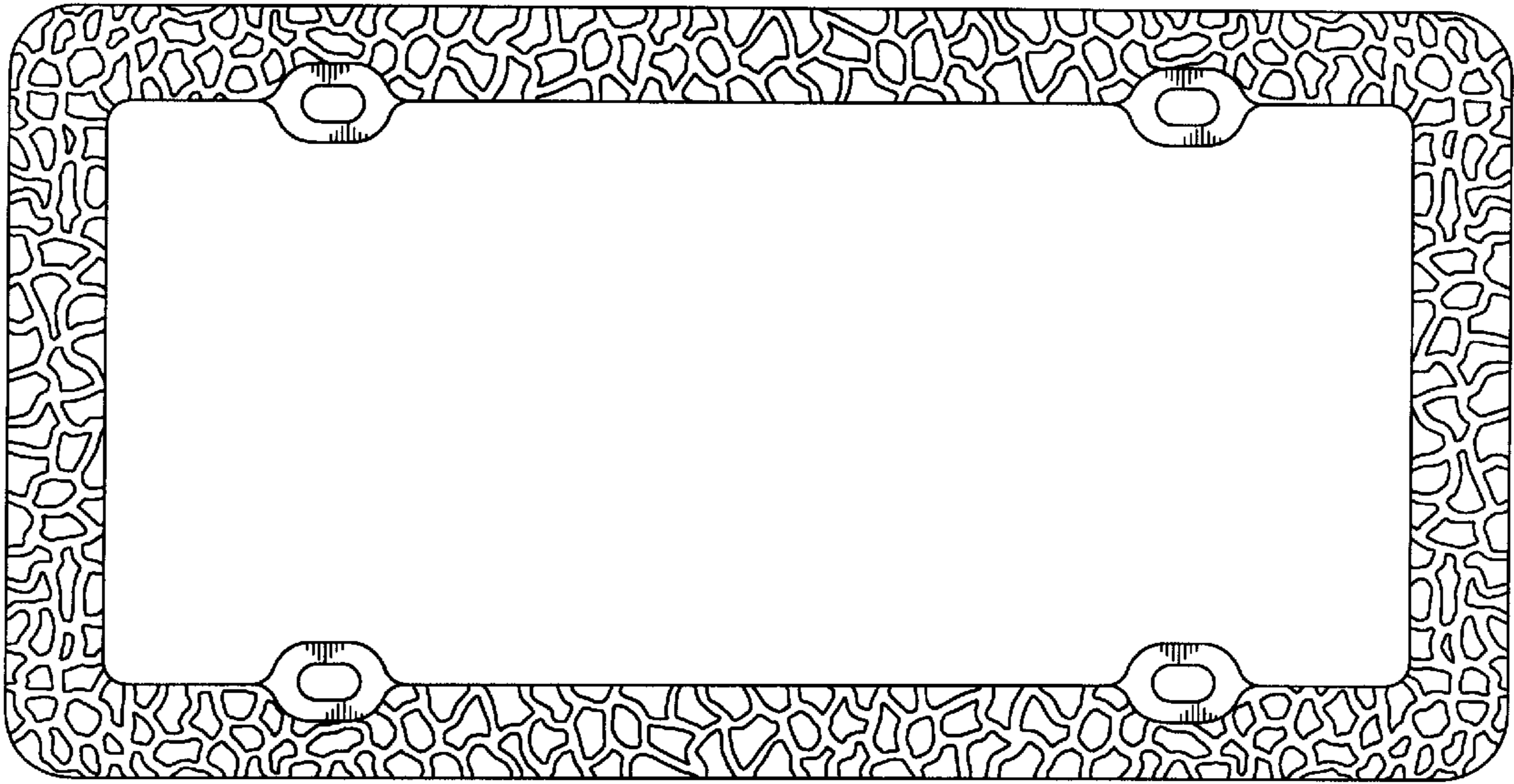


Fig. 2

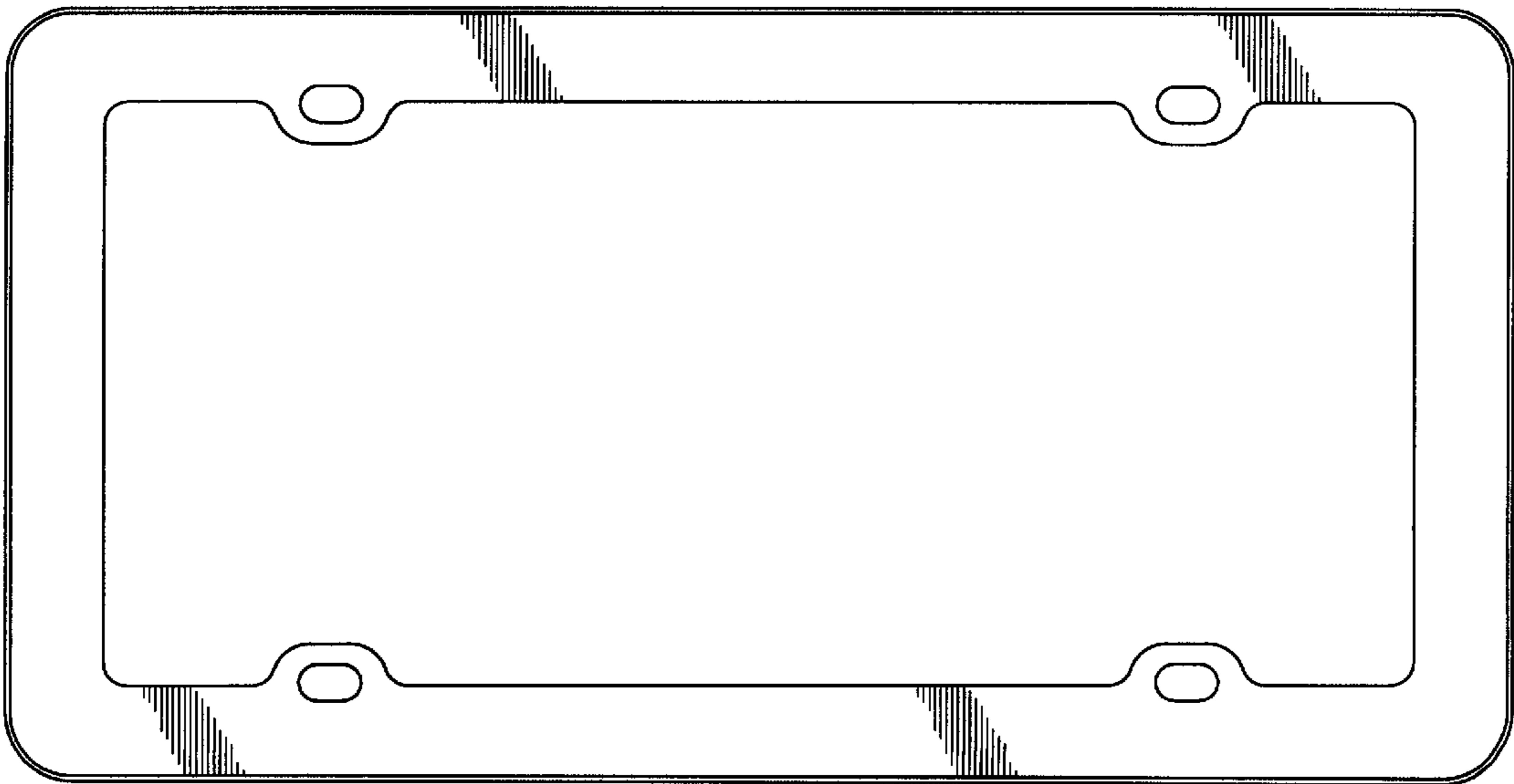


Fig. 3



Fig. 4



Fig. 5

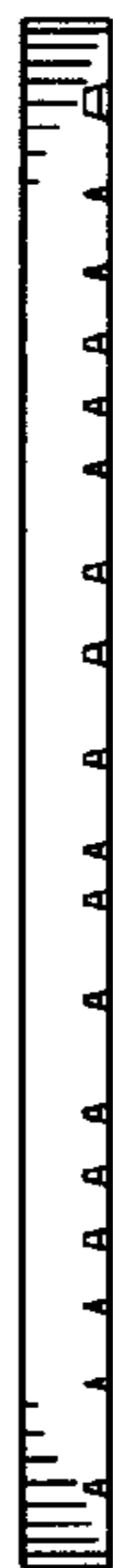


Fig. 6



Fig. 7

