



US00D440191S

(12) **United States Design Patent**  
**Pfeiffer**

(10) **Patent No.:** **US D440,191 S**

(45) **Date of Patent:** **\*\* Apr. 10, 2001**

(54) **REAR BUMPER FOR A VEHICLE**

D. 423,999 \* 6/2000 Fink ..... D12/169  
D. 427,955 \* 7/2000 Sacco et al. .... D12/169

(75) Inventor: **Peter Pfeiffer**, Boeblingen (DE)

\* cited by examiner

(73) Assignee: **DaimlerChrysler AG**, Stuttgart (DE)

*Primary Examiner*—Melody N. Brown

(\*\*) Term: **14 Years**

(74) *Attorney, Agent, or Firm*—Evenson, McKeown,  
Edwards & Lenahan, P.L.L.C.

(21) Appl. No.: **29/128,221**

(57) **CLAIM**

(22) Filed: **Aug. 22, 2000**

The ornamental design for a rear bumper for a vehicle, as shown and described.

**Related U.S. Application Data**

**DESCRIPTION**

(62) Division of application No. 29/086,743, filed on Apr. 20, 1998.

This application is related to co-pending application Ser. No. 29/128,239, of the inventor, filed on even date herewith and entitled "Rear Bumper for a Vehicle."

(30) **Foreign Application Priority Data**

Feb. 28, 2000 (DE) ..... 4 00 02 024.6

FIG. 1 is a front, right perspective view of a rear bumper for a vehicle according to my novel design, the front, left perspective view being mirror symmetrical;

(51) **LOC (7) Cl.** ..... **12-16**

(52) **U.S. Cl.** ..... **D12/169**

FIG. 2 is a front view of the rear bumper for a vehicle according to my novel design;

(58) **Field of Search** ..... D12/169, 196,  
D12/90-92; 293/102, 113, 115, 117, 120;  
296/180.1, 180.2

FIG. 3 is right side view of the rear bumper for a vehicle according to my novel design;

(56) **References Cited**

FIG. 4 is a left side view of the rear bumper for a vehicle according to my novel design;

**U.S. PATENT DOCUMENTS**

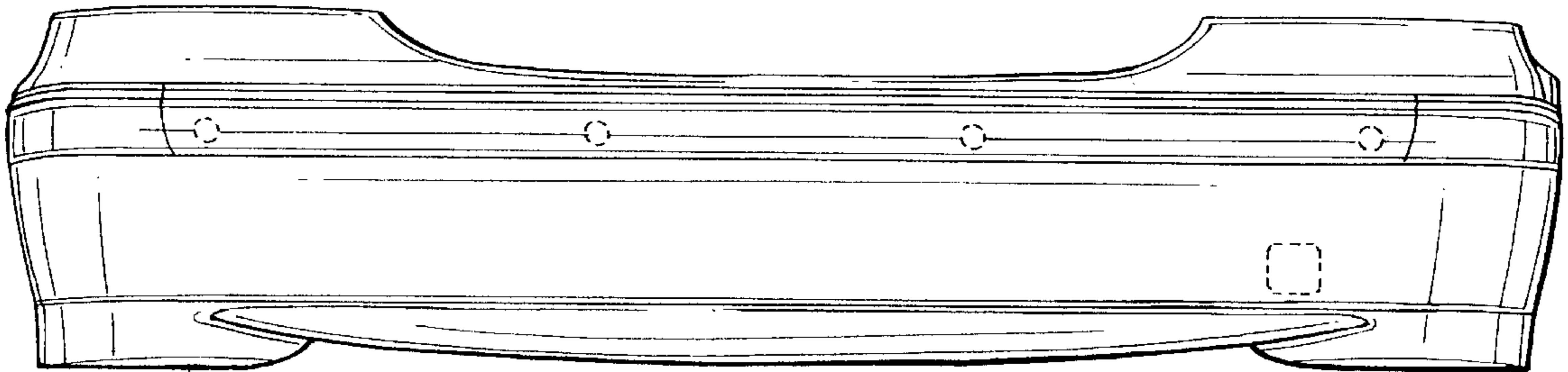
FIG. 5 is top view of the rear bumper for a vehicle according to my novel design; and,

- D. 368,448 \* 4/1996 Sacco et al. .... D12/92
- D. 372,689 \* 8/1996 Sacco et al. .... D12/92
- D. 380,178 \* 6/1997 Sacco et al. .... D12/92
- D. 393,440 4/1998 Pfeiffer et al. .... D12/196
- D. 393,610 4/1998 Sacco et al. .... D12/92
- D. 395,847 \* 7/1998 Sacco et al. .... D12/92
- D. 419,937 \* 2/2000 Sacco et al. .... D12/196

FIG. 6 is a bottom view of the rear bumper for a vehicle according to my novel design.

The broken lines included depict environment and are not part of the claimed design.

**1 Claim, 4 Drawing Sheets**



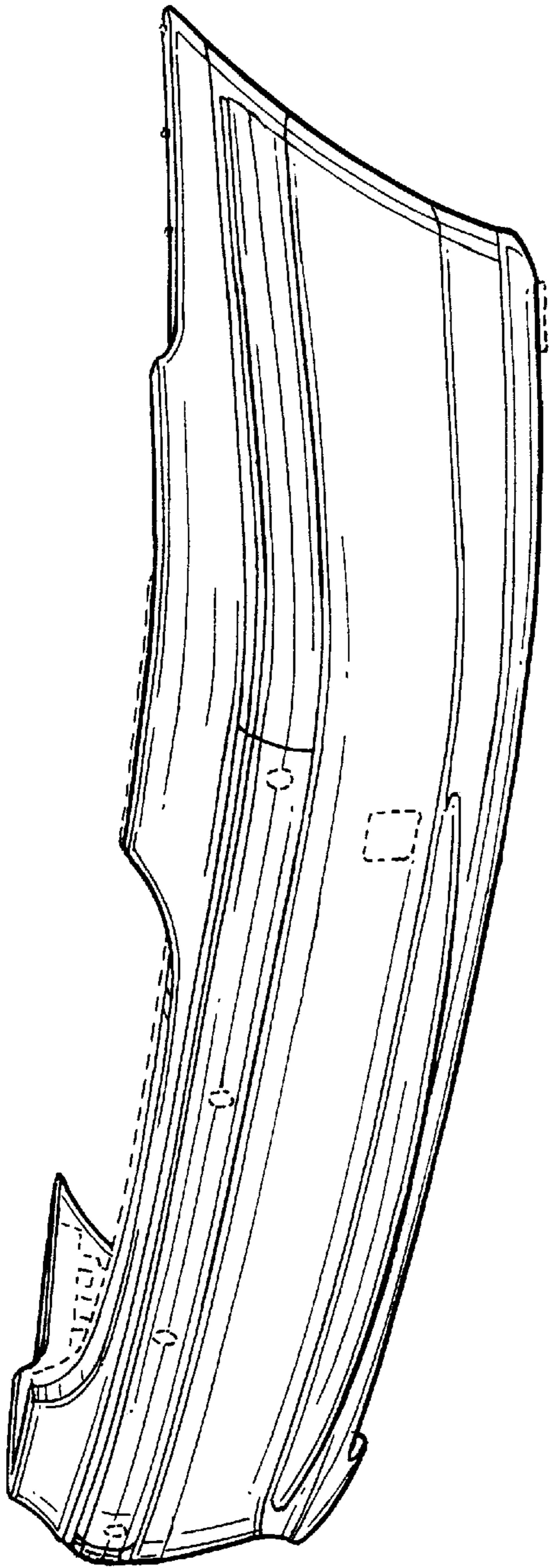


FIG. 1

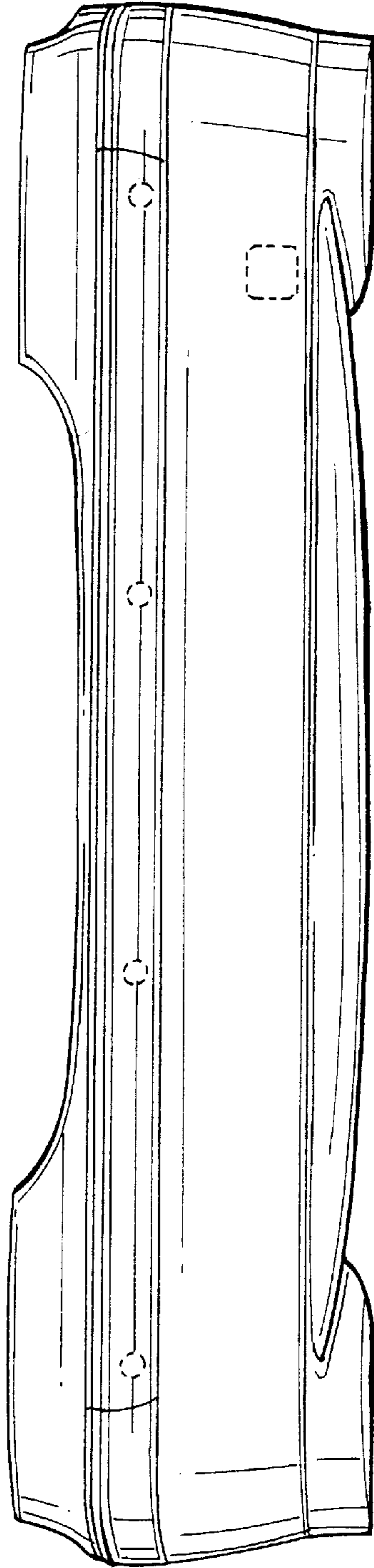


FIG. 2

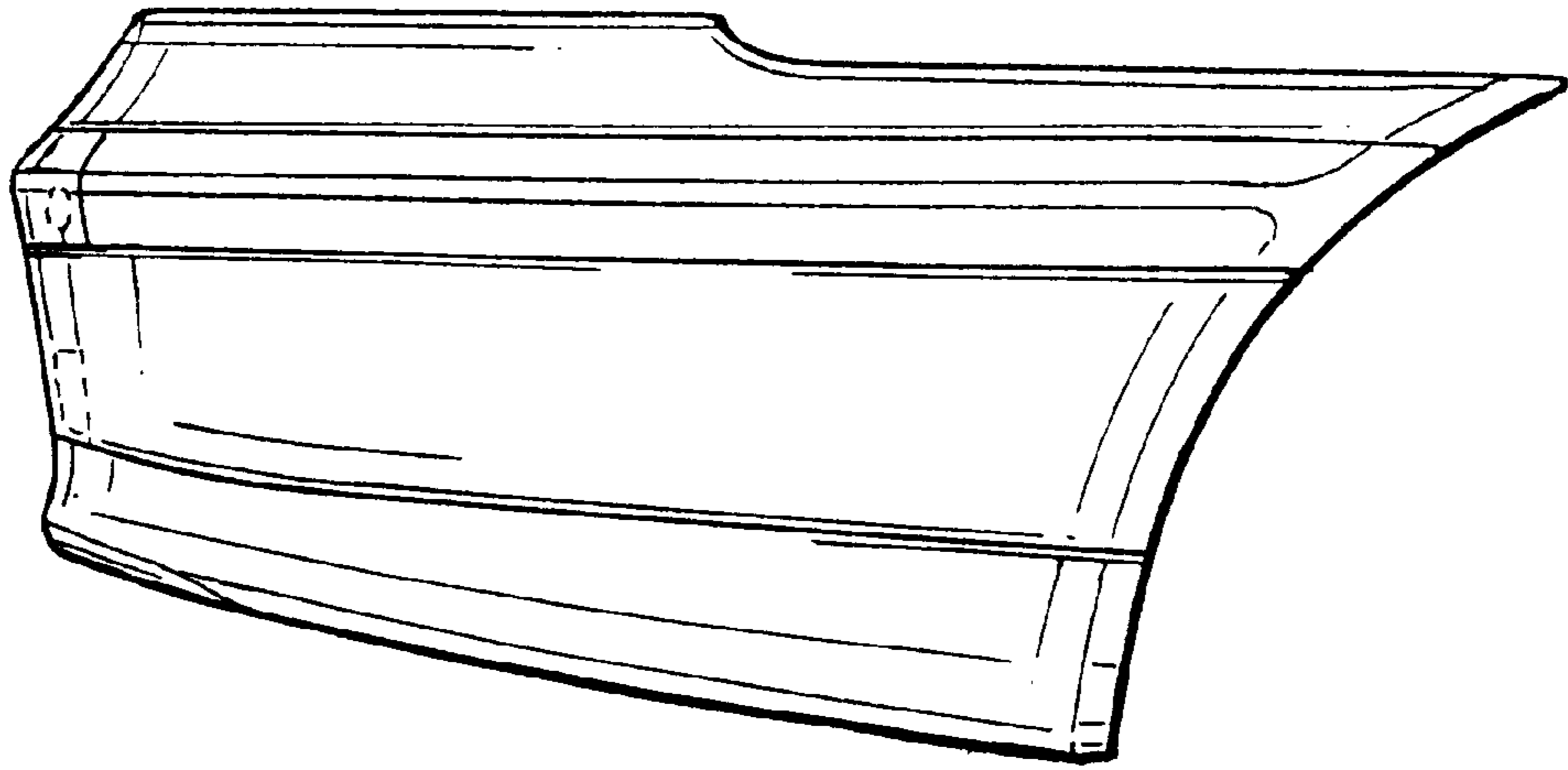


FIG. 3

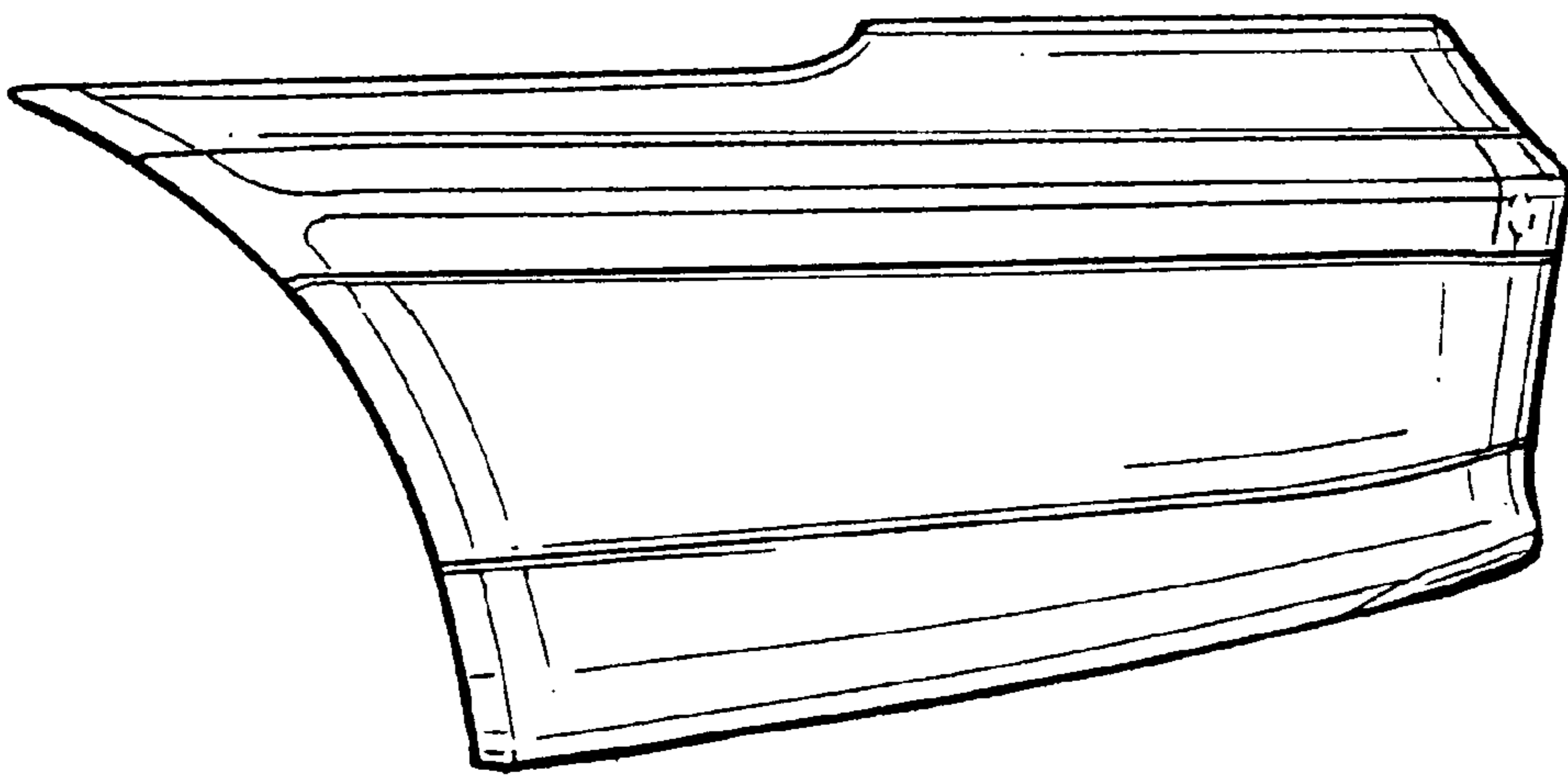


FIG. 4

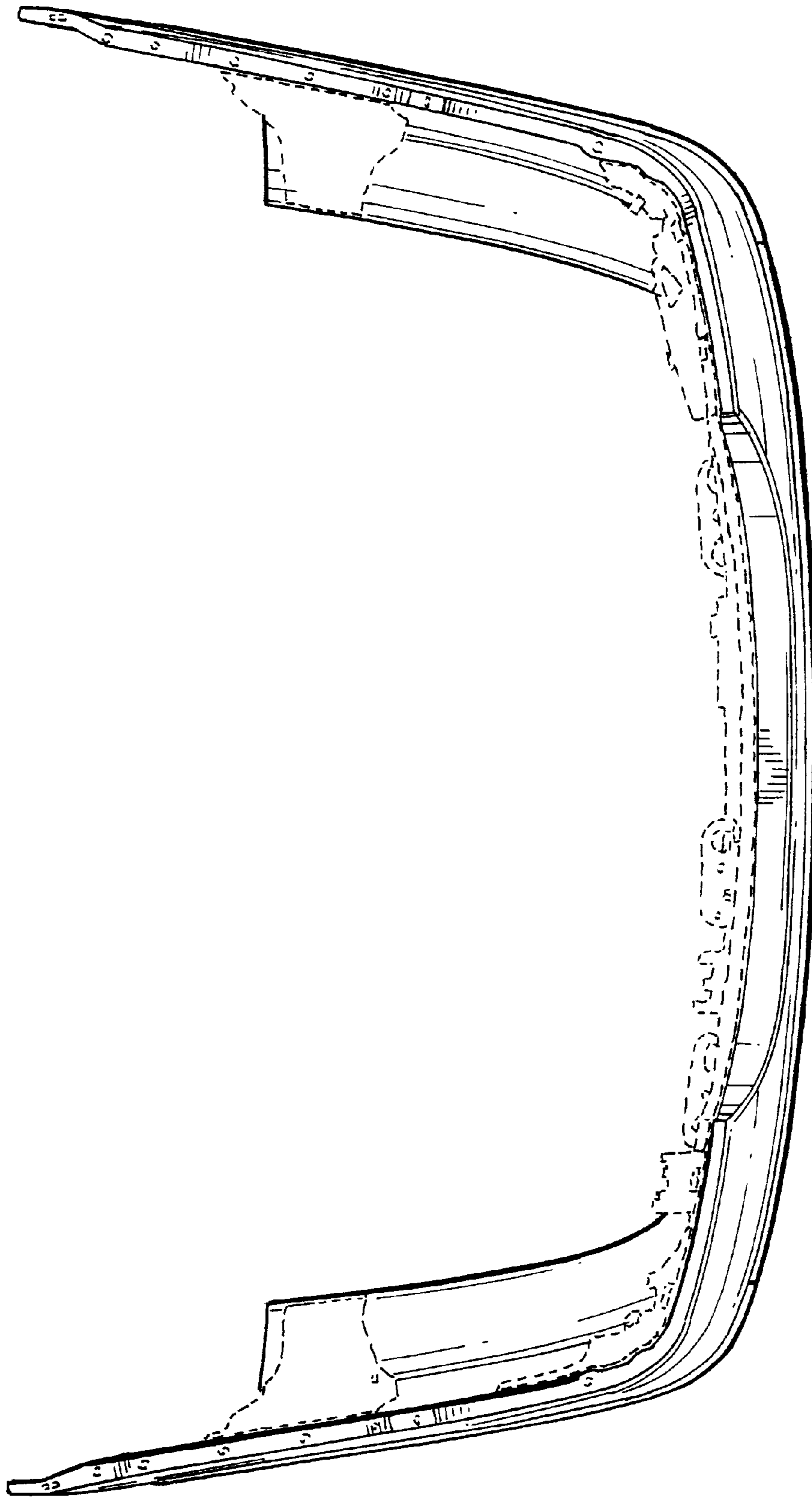


FIG. 5

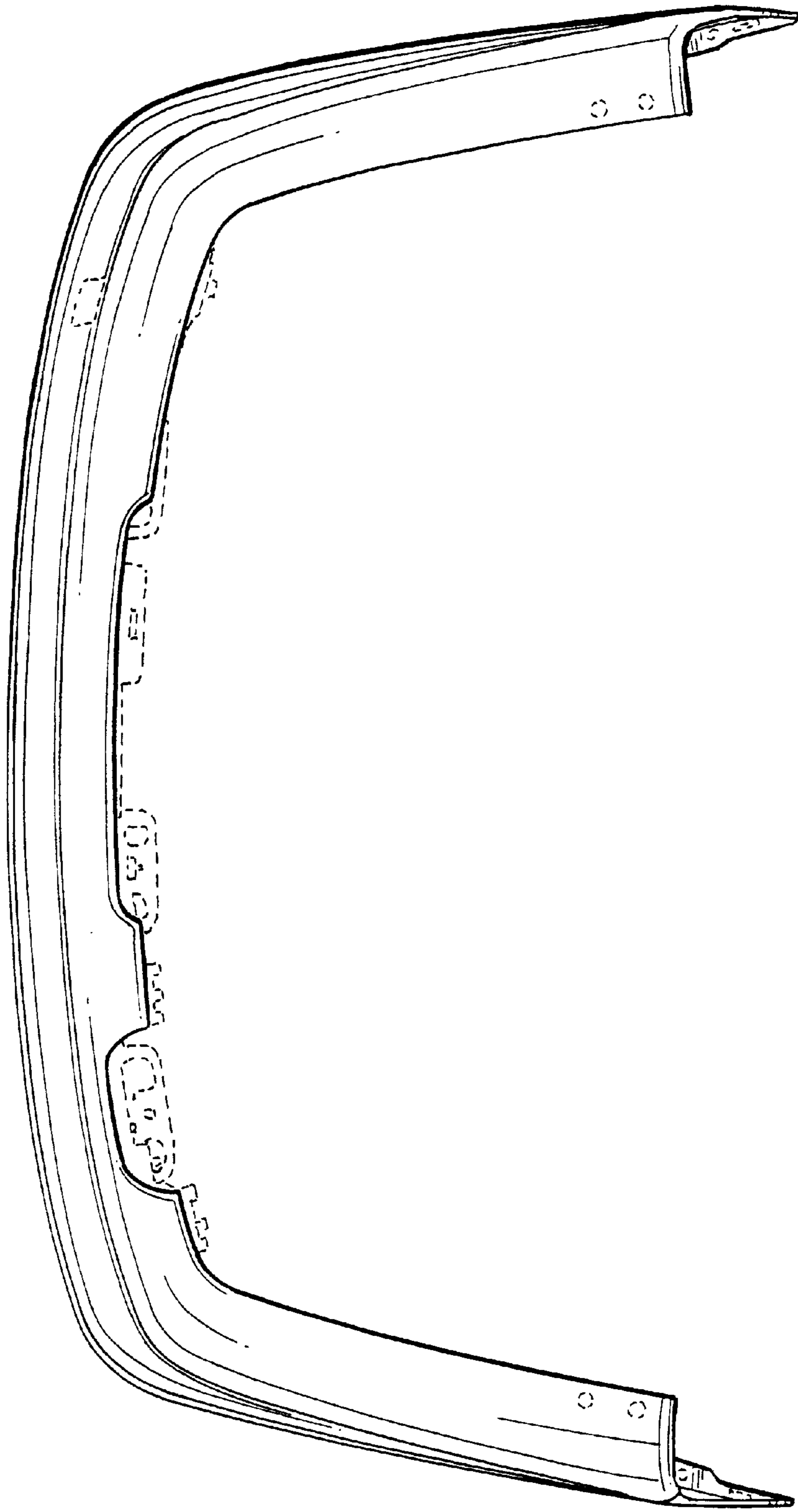


FIG. 6