



US00D440188S

(12) **United States Design Patent**  
**Lin**

(10) **Patent No.:** **US D440,188 S**

(45) **Date of Patent:** **\*\* Apr. 10, 2001**

(54) **CASING FOR VEHICLE**

(75) **Inventor:** **Fu-Chiang Lin**, Tainan Hsien (TW)

(73) **Assignee:** **Reinmech Corporation**, Taichung Hsien (TW)

(\*\*) **Term:** **14 Years**

(21) **Appl. No.:** **29/126,633**

(22) **Filed:** **Jul. 21, 2000**

(51) **LOC (7) Cl.** ..... **12-11**

(52) **U.S. Cl.** ..... **D12/107**

(58) **Field of Search** ..... D12/107; 180/233,  
180/311, 312, 315, 225, 229

(56) **References Cited**

**U.S. PATENT DOCUMENTS**

- D. 424,982 \* 5/2000 Deutschman ..... D12/107
- D. 427,110 \* 6/2000 Saito et al. .... D12/107
- D. 428,363 \* 7/2000 Sugimoto et al. .... D12/107

D. 429,663 \* 8/2000 Tamashima et al. .... D12/107

\* cited by examiner

*Primary Examiner*—Melody N. Brown

(74) *Attorney, Agent, or Firm*—Charles E. Baxley

(57) **CLAIM**

The ornamental design for a casing for vehicle, as shown and described.

**DESCRIPTION**

FIG. 1 is a perspective view of a casing for vehicle showing my new design;

FIG. 2 is a front elevational view thereof; the rear elevational view being identical to that shown;

FIG. 3 is a left side elevational view thereof;

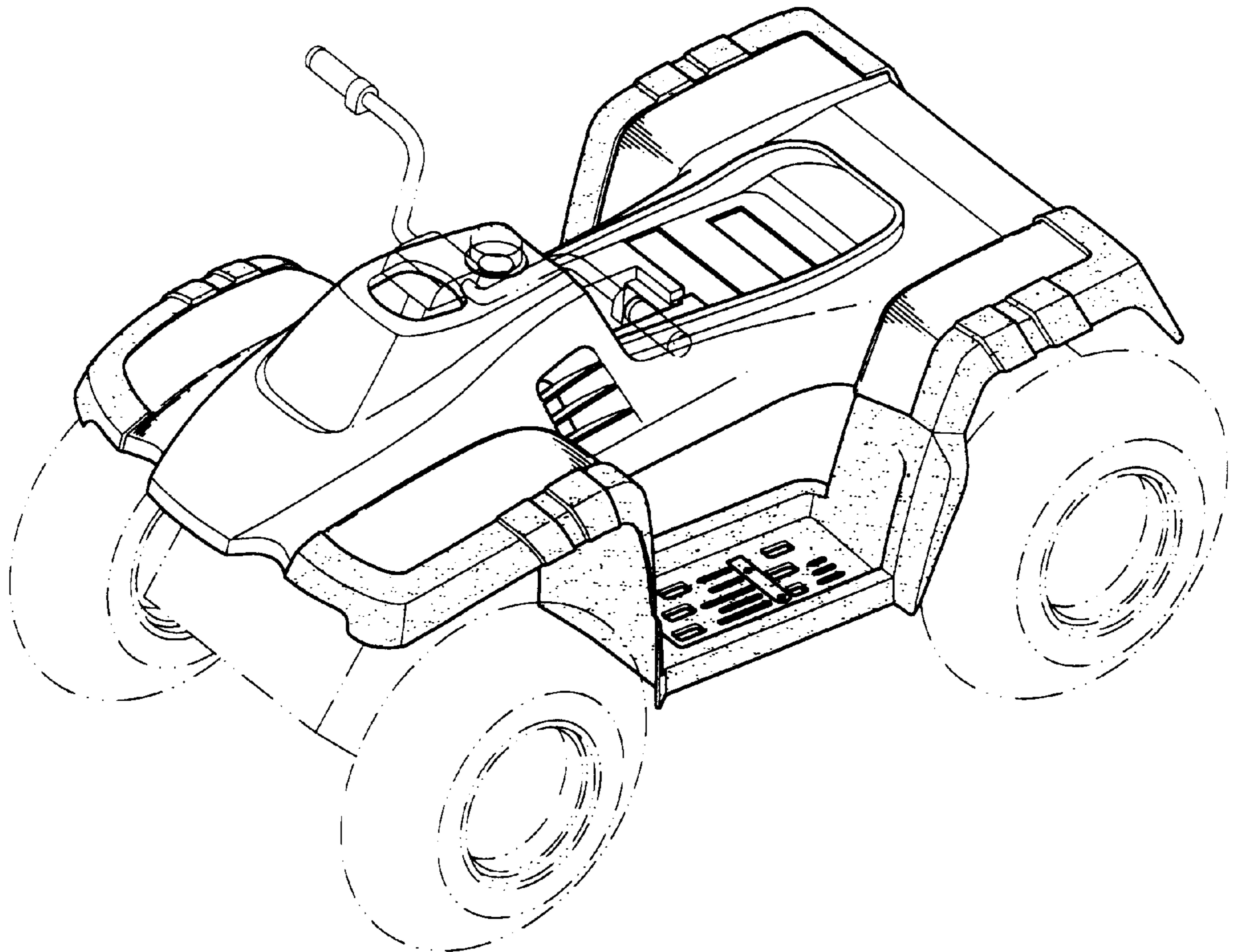
FIG. 4 is a right side elevational view thereof;

FIG. 5 is a top plan view thereof;

FIG. 6 is a bottom plan view thereof; and,

FIG. 7 is a reduced perspective view thereof, the broken-line disclosure of wheels and handle bars being for illustrative purposes only and forming no part of the claimed design.

**1 Claim, 7 Drawing Sheets**



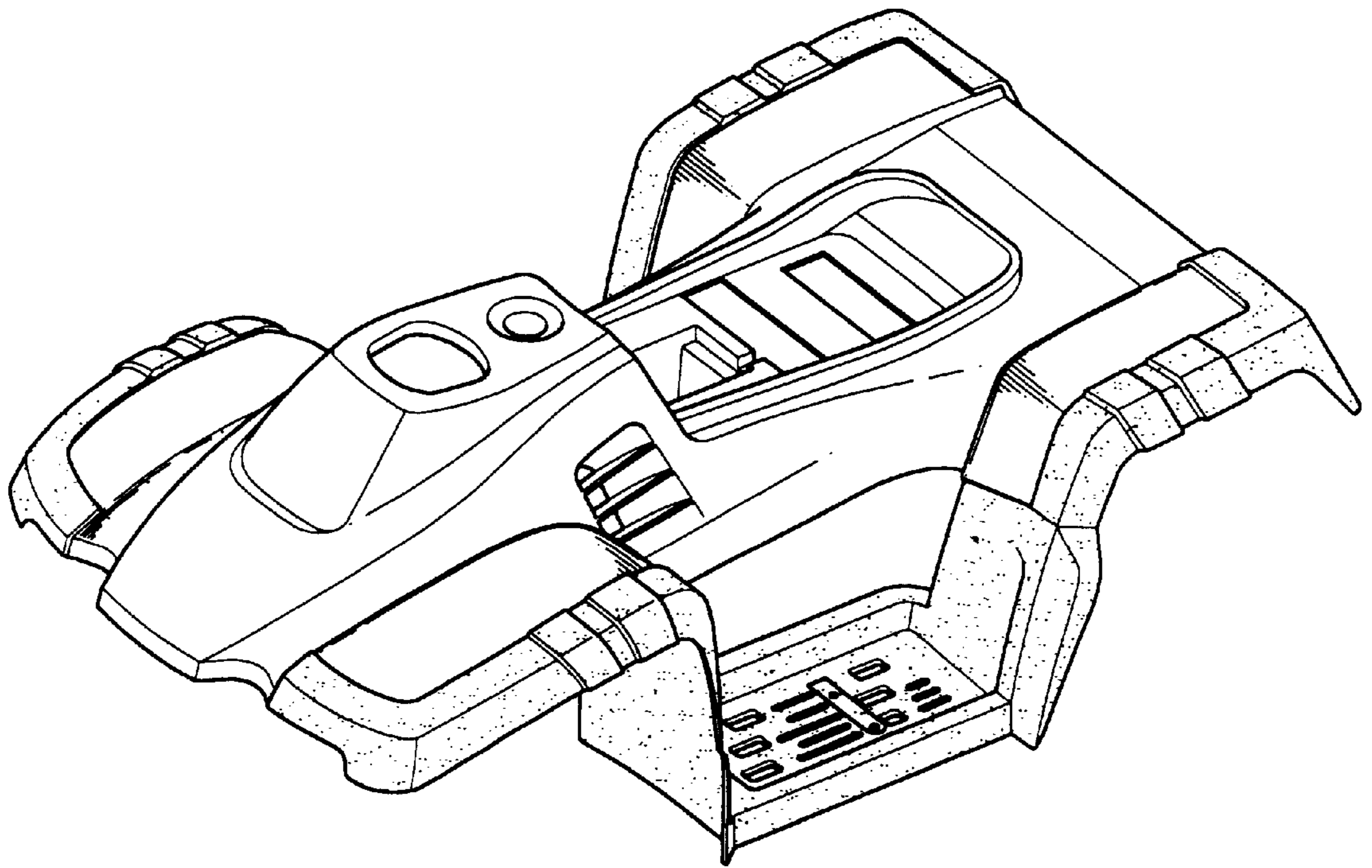


FIG. 1

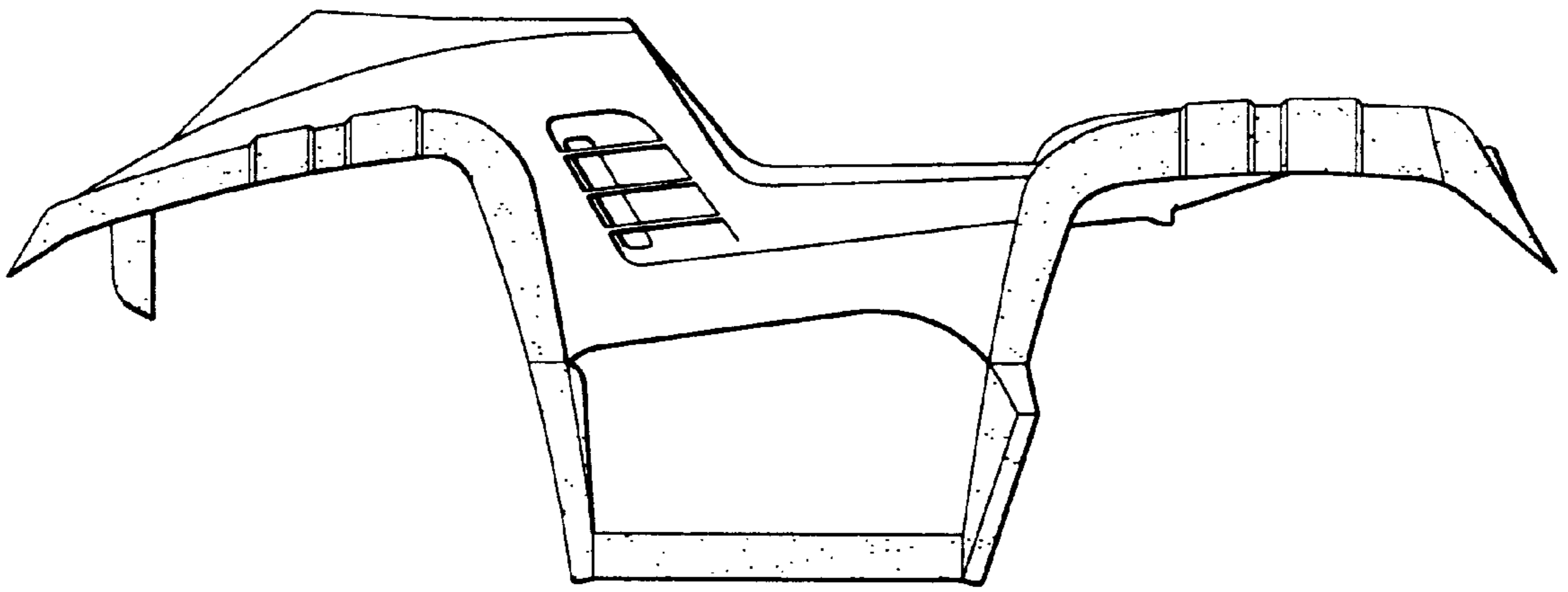


FIG. 2

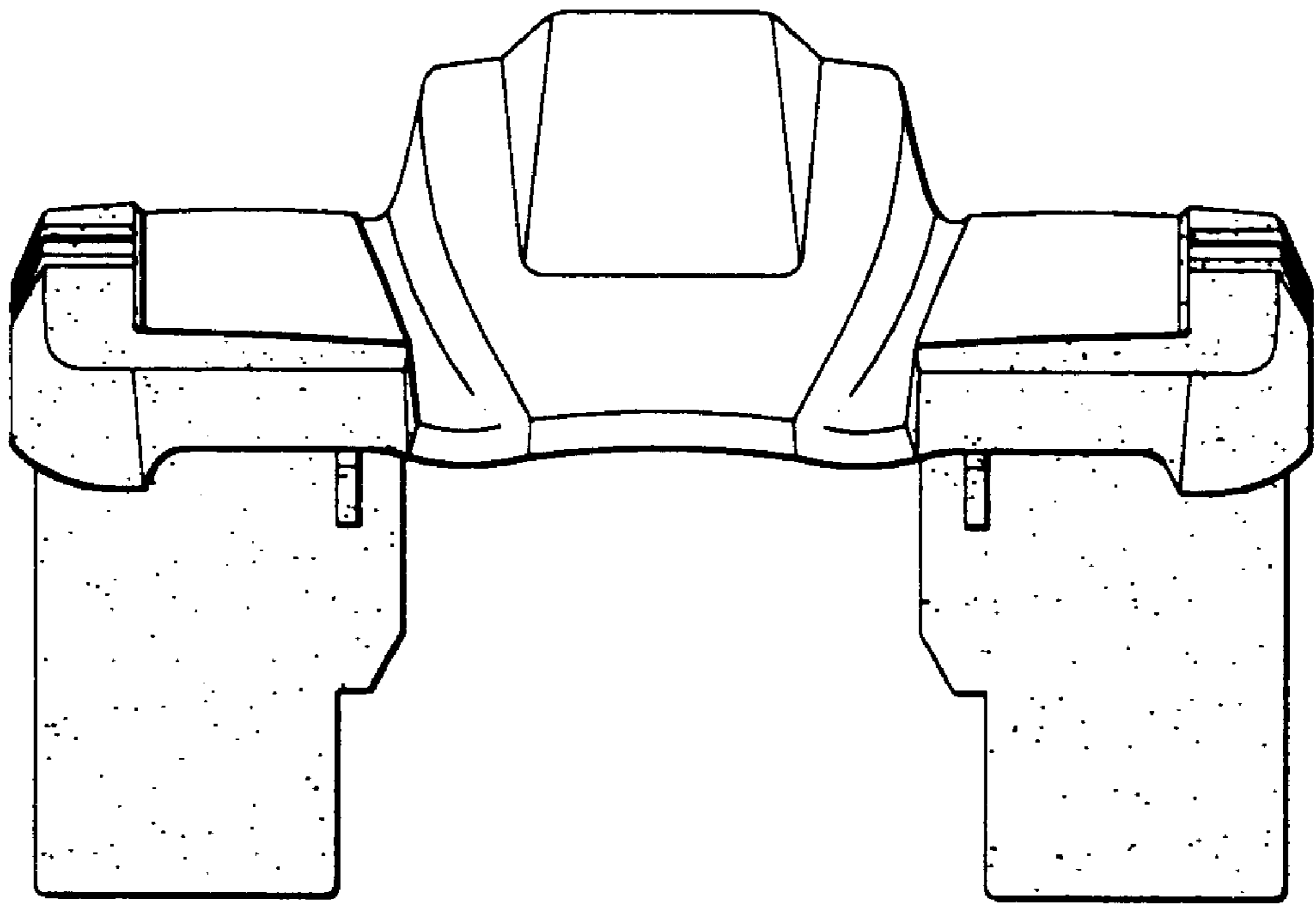


FIG. 3

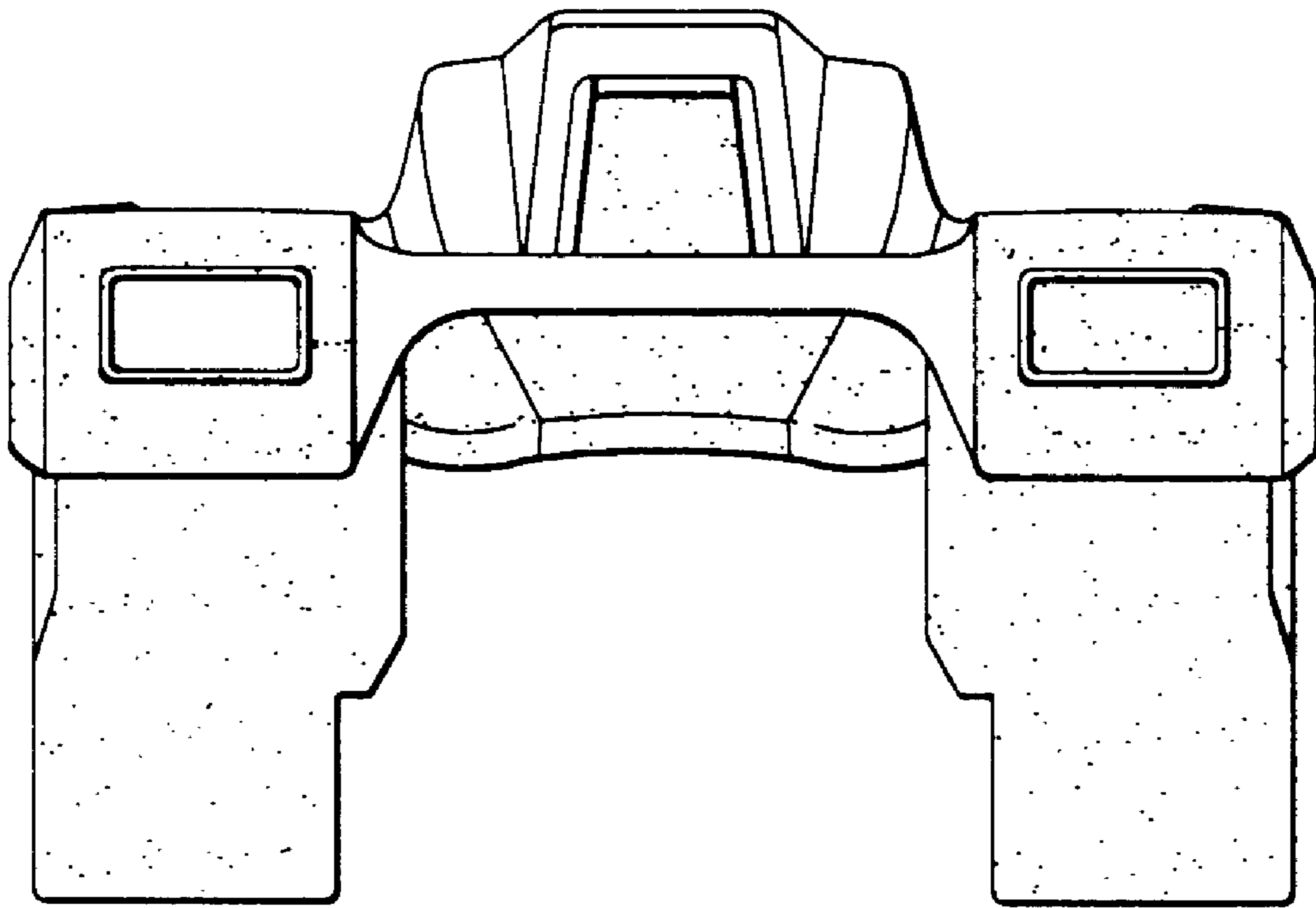


FIG. 4

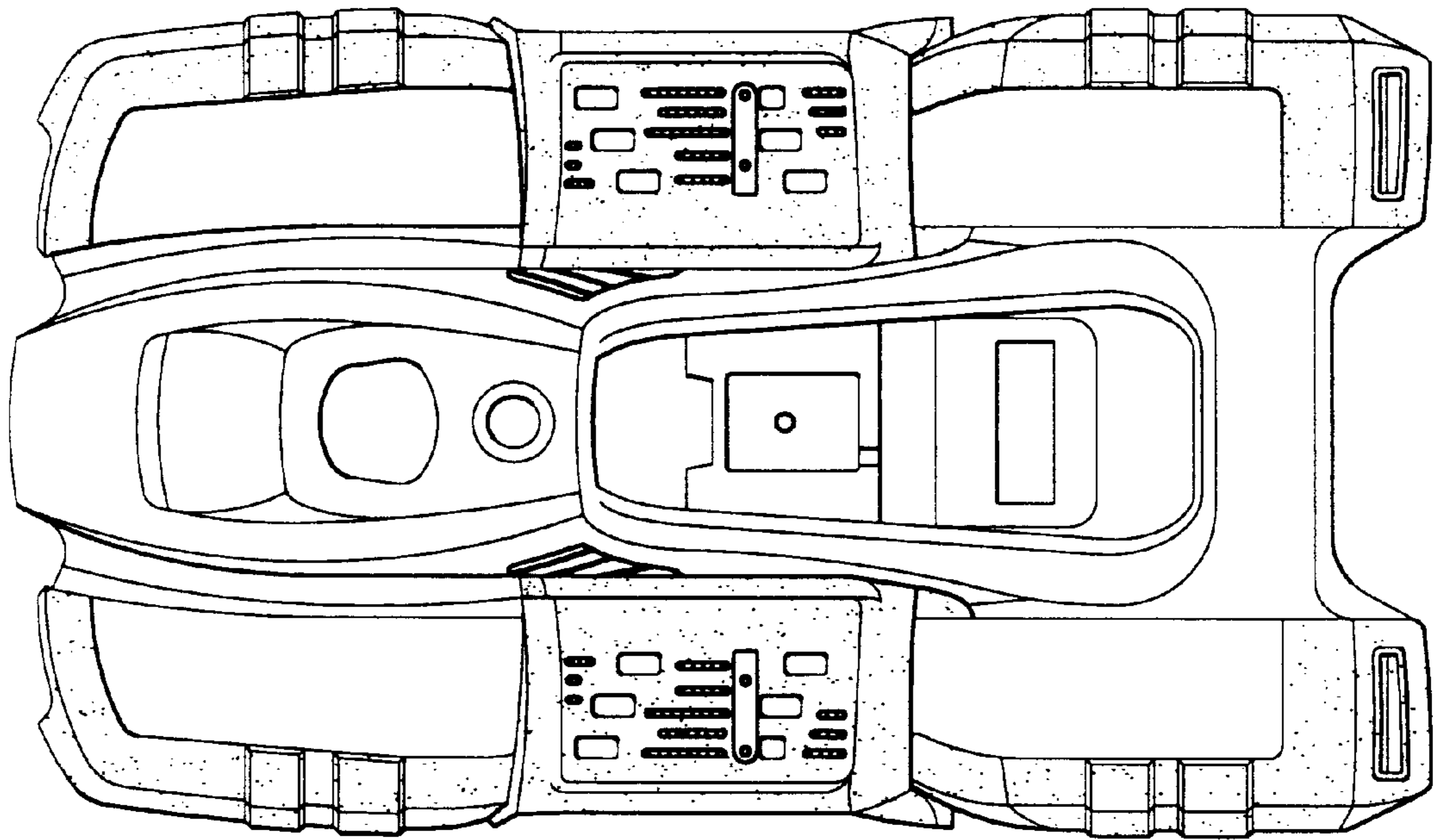


FIG. 5

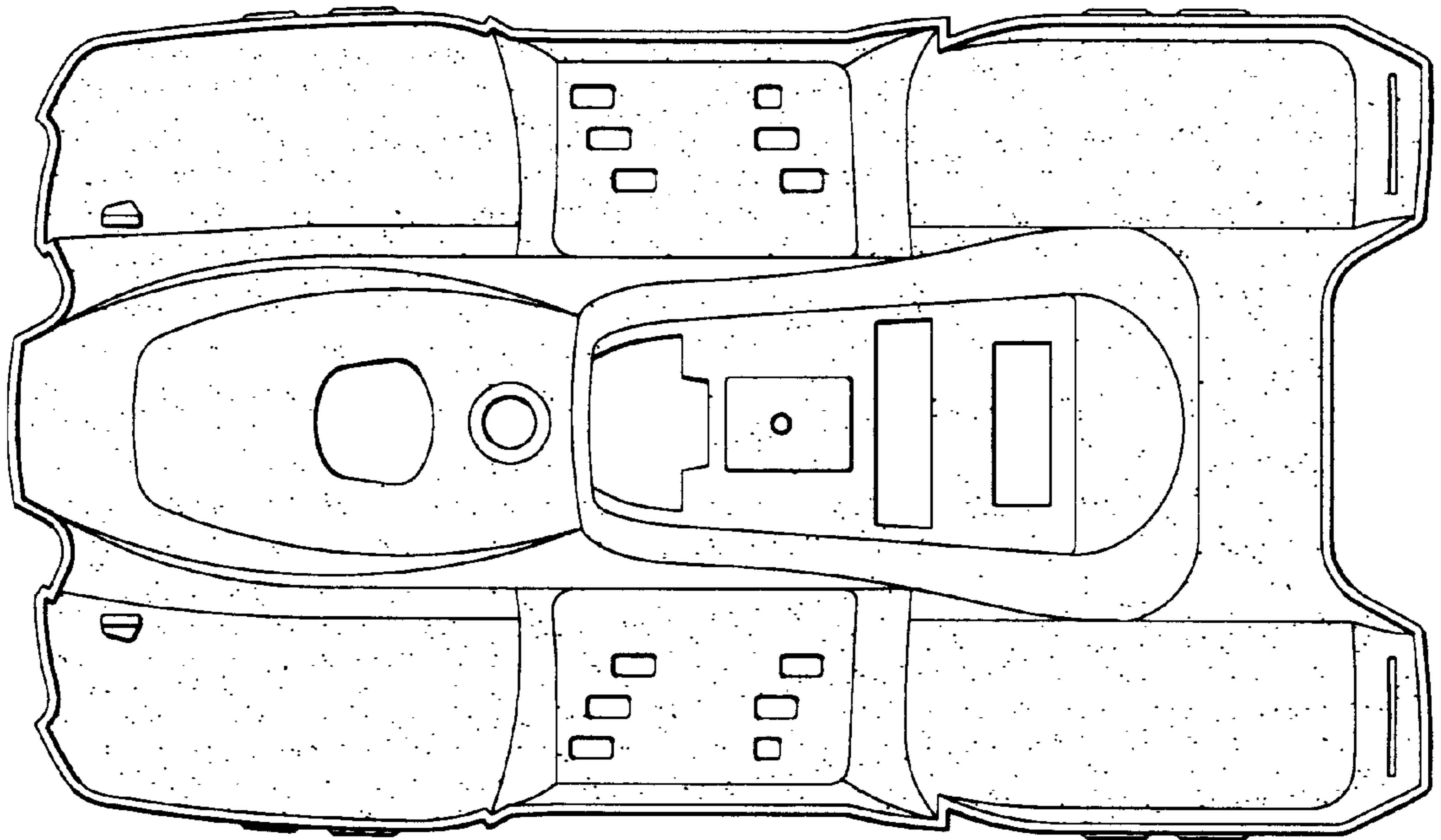


FIG. 6

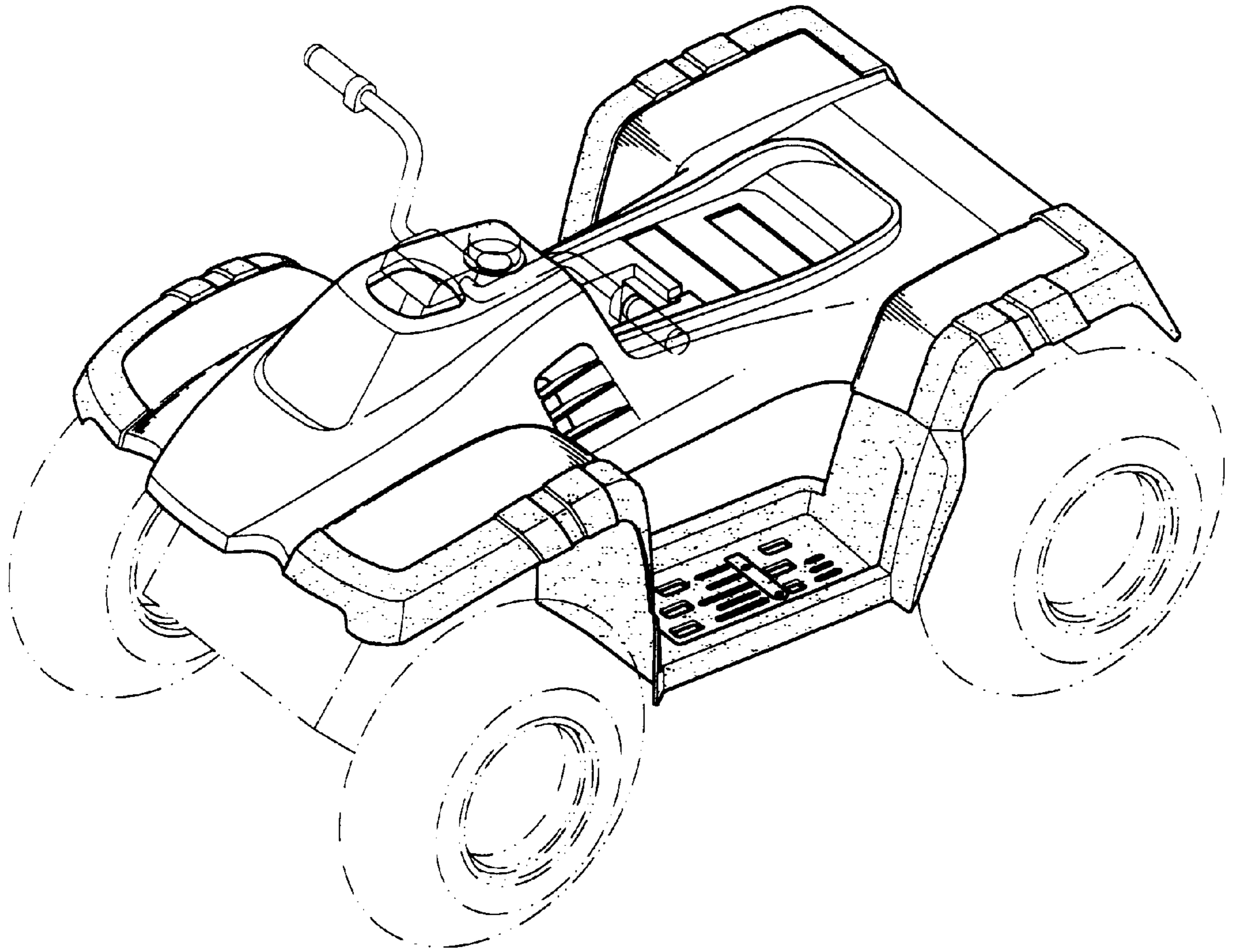


FIG. 7