



US00D440186S

(12) **United States Design Patent**
Herner et al.

(10) **Patent No.:** **US D440,186 S**

(45) **Date of Patent:** **** Apr. 10, 2001**

(54) **AUTOMOBILE BODY**

D. 432,951 * 10/2000 Pfeiffer et al. D12/92

(75) Inventors: **Donald Mark Herner**, Placentia, CA (US); **Harumi Okano**, Fujimi; **Kunihiko Tachibana**, Asaka, both of (JP)

* cited by examiner

Primary Examiner—Melody N. Brown
(74) *Attorney, Agent, or Firm*—Banner & Witcoff, Ltd.

(73) Assignee: **Honda Giken Kogyo Kabushiki Kaisha**, Tokyo (JP)

(57) **CLAIM**

The ornamental design for an automobile body, as shown and described.

(**) Term: **14 Years**

DESCRIPTION

(21) Appl. No.: **29/126,769**

FIG. 1 is a frontal perspective view of an automobile body showing our new design;

(22) Filed: **Jul. 25, 2000**

FIG. 2 is a rear perspective view thereof;

(51) **LOC (7) Cl.** **12-08**

FIG. 3 is a side elevational view of one side thereof;

(52) **U.S. Cl.** **D12/92**

FIG. 4 is a side elevational view of the other side thereof;

(58) **Field of Search** D12/90-92; 296/185

FIG. 5 is a front elevational view thereof;

FIG. 6 is a rear elevational view thereof; and,

FIG. 7 is a top plan view thereof.

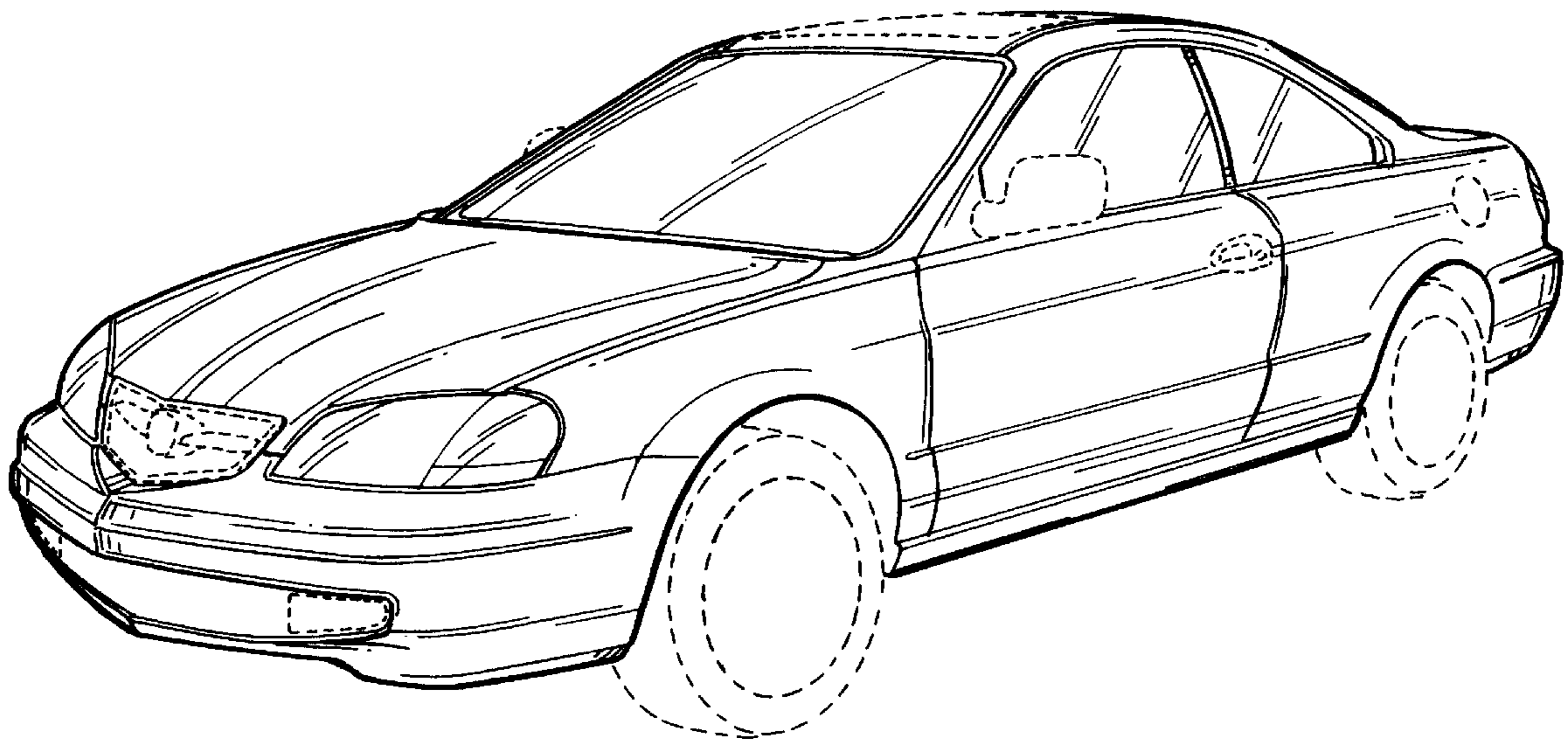
(56) **References Cited**

The broken line showing of the wheels, tires, front grille, rear-view mirrors, door handles, fuel door, exhaust pipes, sunroof and license plate mounts is for illustrative purposes only and forms no part of the claimed design.

U.S. PATENT DOCUMENTS

- D. 413,083 * 8/1999 Odette et al. D12/92
- D. 421,934 * 3/2000 Hunter et al. D12/92
- D. 425,824 * 5/2000 Hsu et al. D12/92

1 Claim, 6 Drawing Sheets



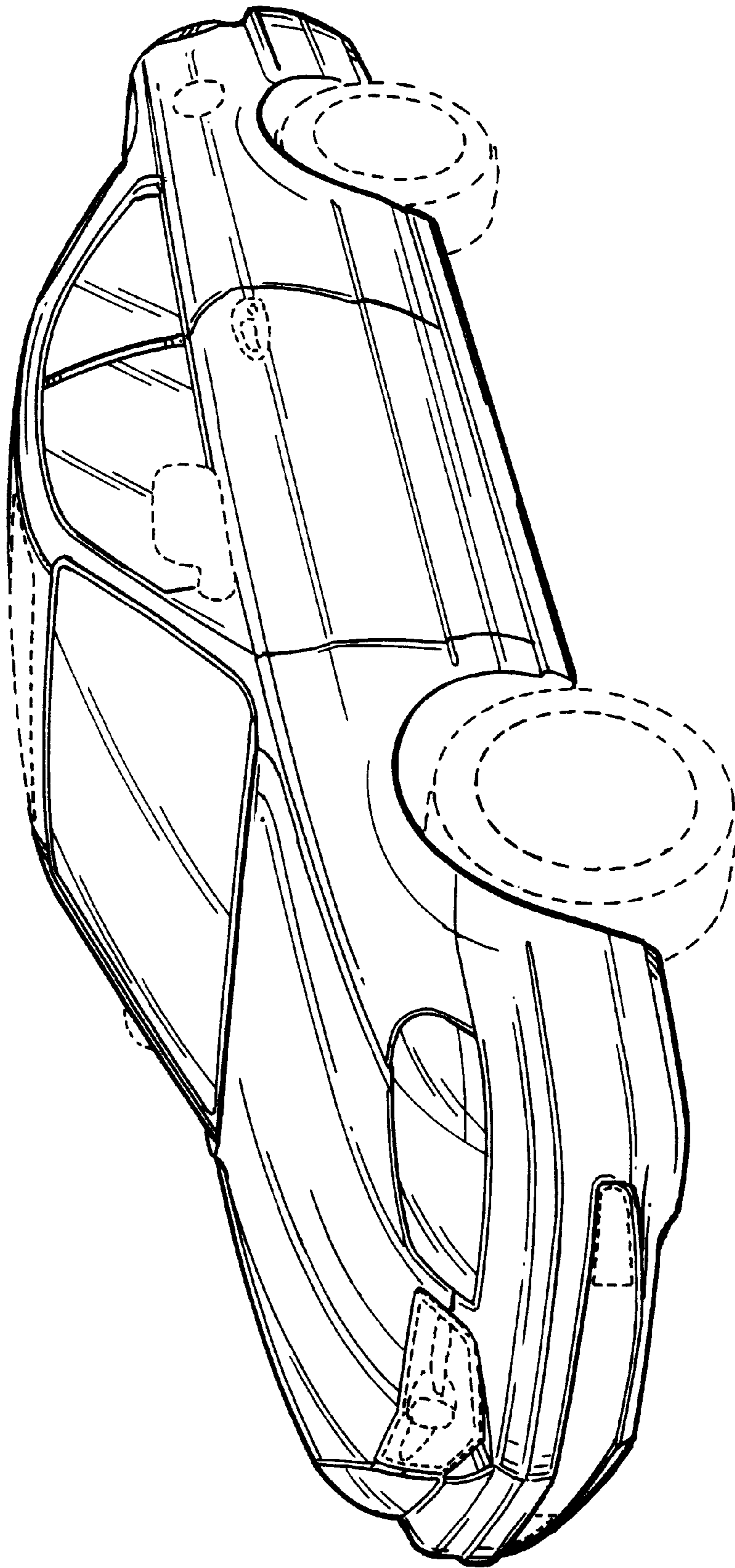


FIG. 1

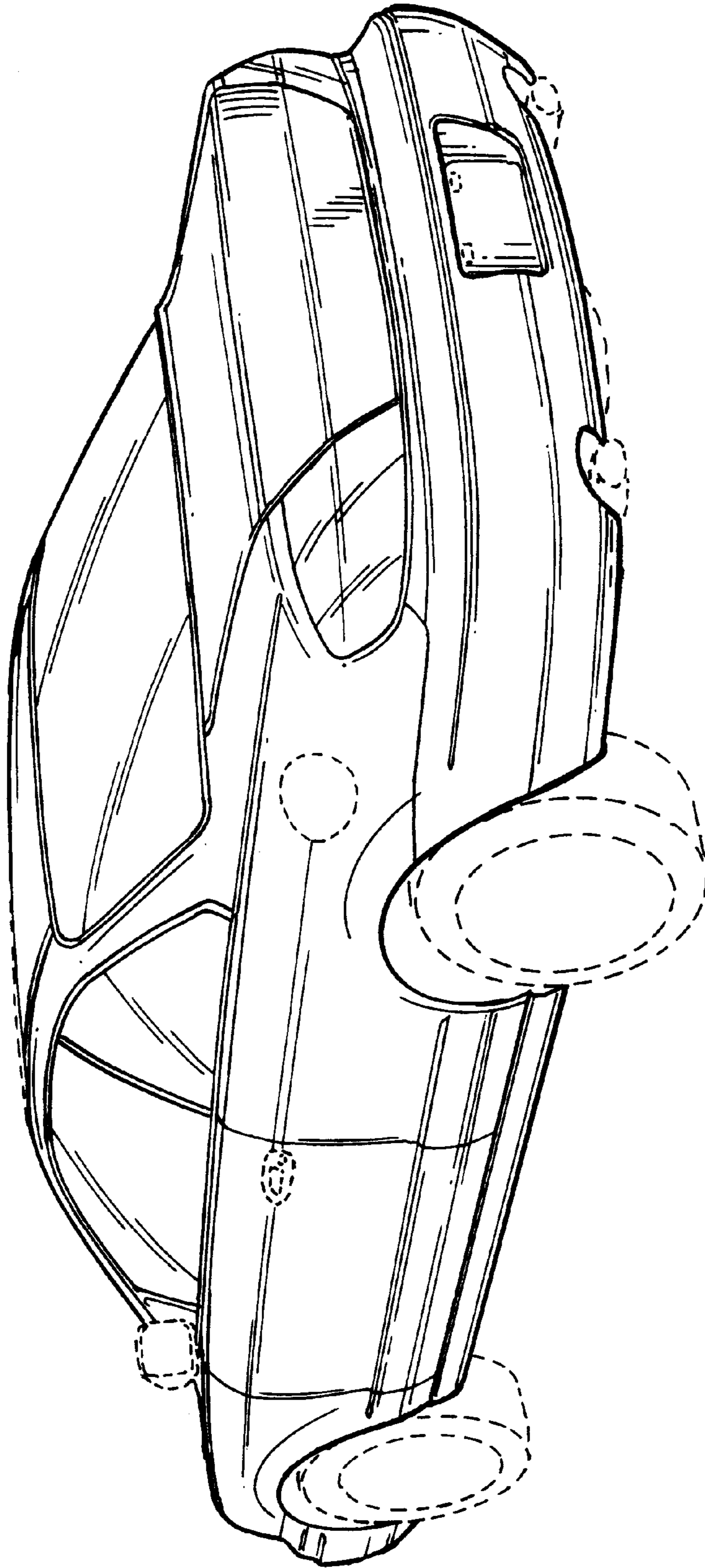


FIG. 2

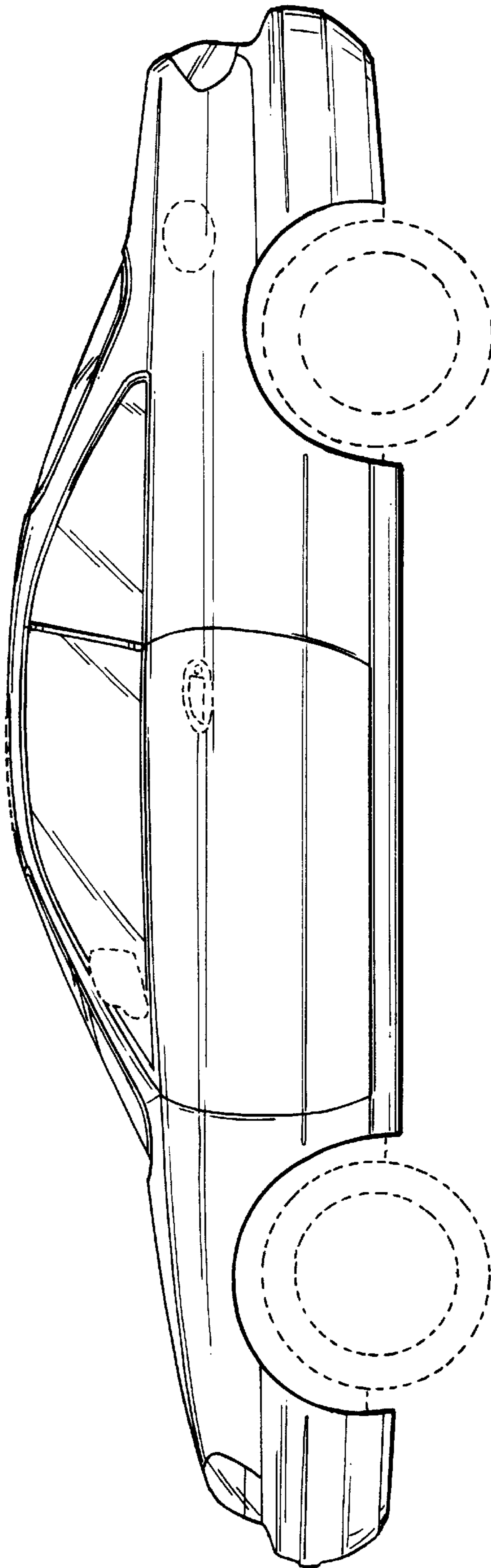


FIG. 3

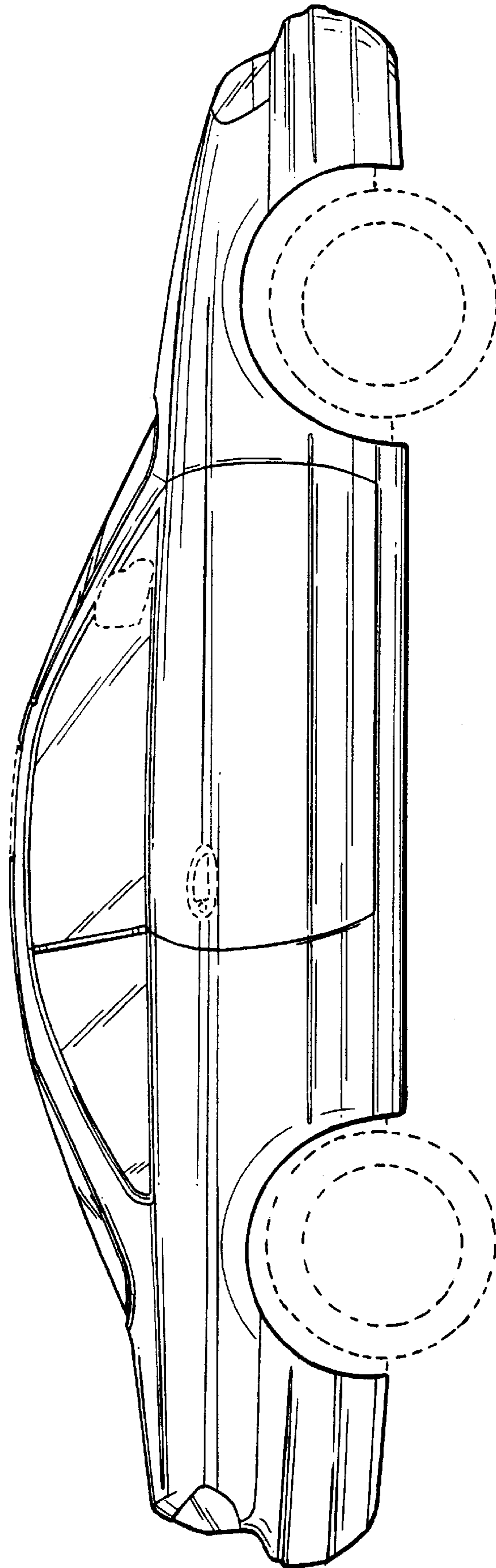


FIG. 4

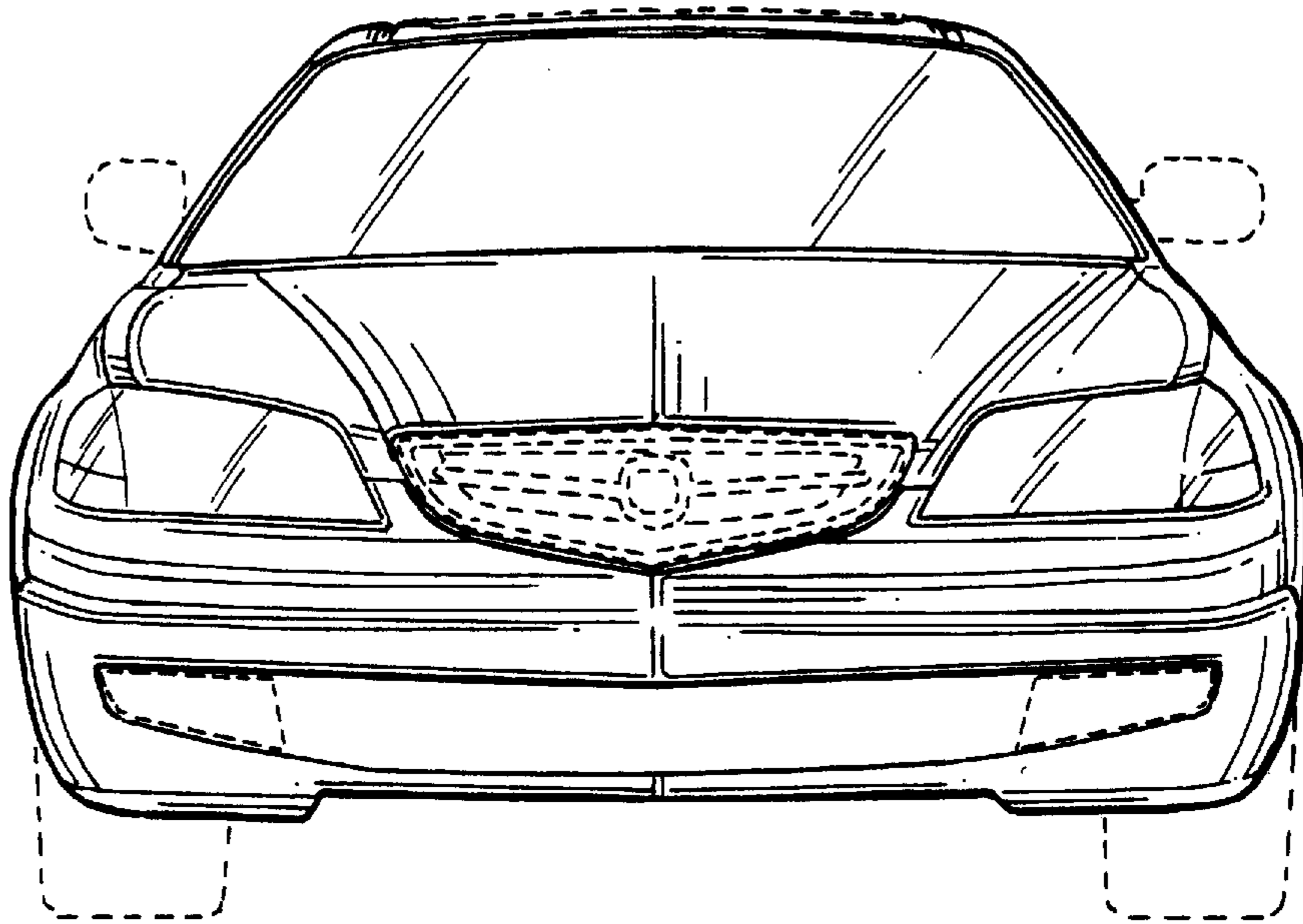


FIG. 5

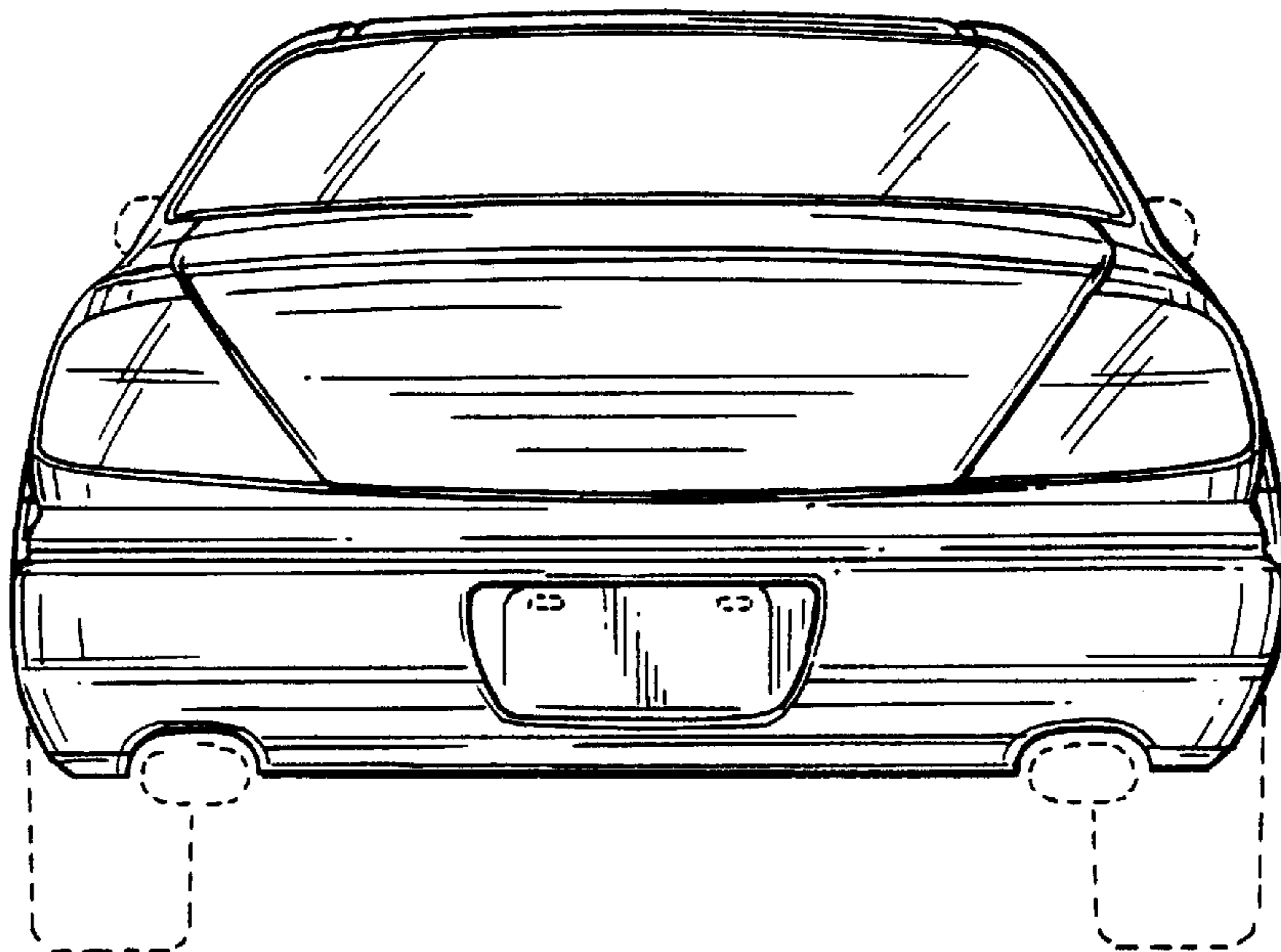


FIG. 6

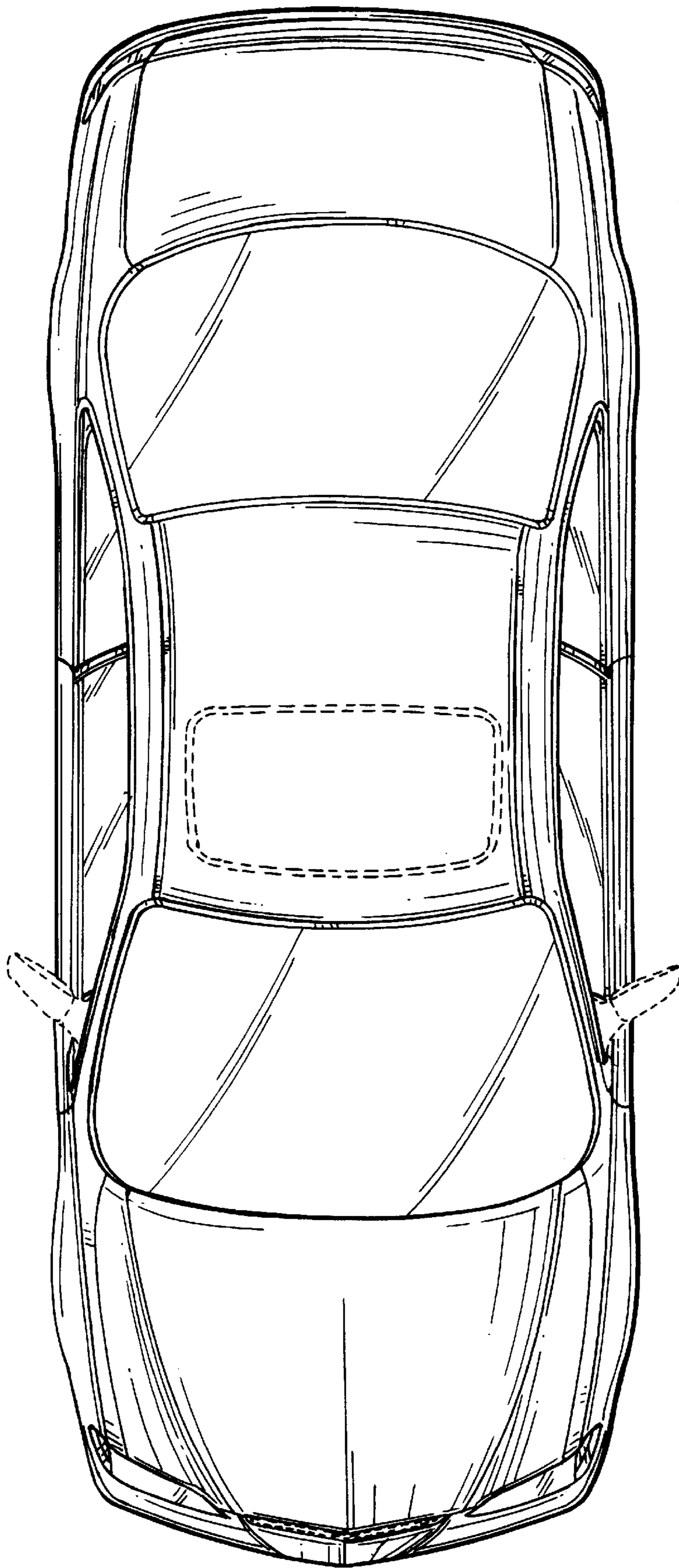


FIG.7