



US00D440181S

(12) **United States Design Patent**
Wolf

(10) **Patent No.:** **US D440,181 S**

(45) **Date of Patent:** **** Apr. 10, 2001**

(54) **JEWELRY ARRANGEMENT**

(76) **Inventor:** **Steven J. Wolf**, 161 E. 79th St., New York, NY (US) 10021

(**) **Term:** **14 Years**

(21) **Appl. No.:** **29/126,393**

(22) **Filed:** **Jul. 14, 2000**

(51) **LOC (7) Cl.** **11-01**

(52) **U.S. Cl.** **D11/90**

(58) **Field of Search** D11/1, 2, 89, 90,
D11/35, 36, 26; 63/32, 1.11, 15, 26

(56) **References Cited**

U.S. PATENT DOCUMENTS

D. 20,043	*	7/1890	Cottier	D11/90
D. 68,636	*	11/1925	Posner	D11/29
D. 250,100	*	10/1978	Flinker et al.	D11/90
D. 372,883		8/1996	Alder	.	
D. 373,971		9/1996	Katz	.	
D. 386,443		11/1997	Itzkowitz	.	
D. 387,302		12/1997	Itzkowitz	.	
D. 388,015		12/1997	Itzkowitz	.	
D. 419,480		1/2000	Wolf	.	
D. 421,930		3/2000	Wolf	.	

D. 431,011	*	9/2000	Wolf	D11/90
2,207,869		7/1940	Monnier	.	
5,533,364		7/1996	Freilich	.	

OTHER PUBLICATIONS

Eclat Paris International No. 23/ 1992. 1 page.

* cited by examiner

Primary Examiner—Ralf Seifert

(74) *Attorney, Agent, or Firm*—Akin, Gump, Strauss, Hauer & Feld, L.L.P.

(57) **CLAIM**

The ornamental design for a jewelry arrangement, as shown and described.

DESCRIPTION

FIG. 1 is a top plan view of a jewelry arrangement in accordance with my new design;

FIG. 2 is a side elevational view thereof taken along line 2—2 of FIG. 1;

FIG. 3 is a side elevational view thereof taken along line 3—3 of FIG. 1; and,

FIG. 4 is a bottom plan view thereof.

1 Claim, 2 Drawing Sheets

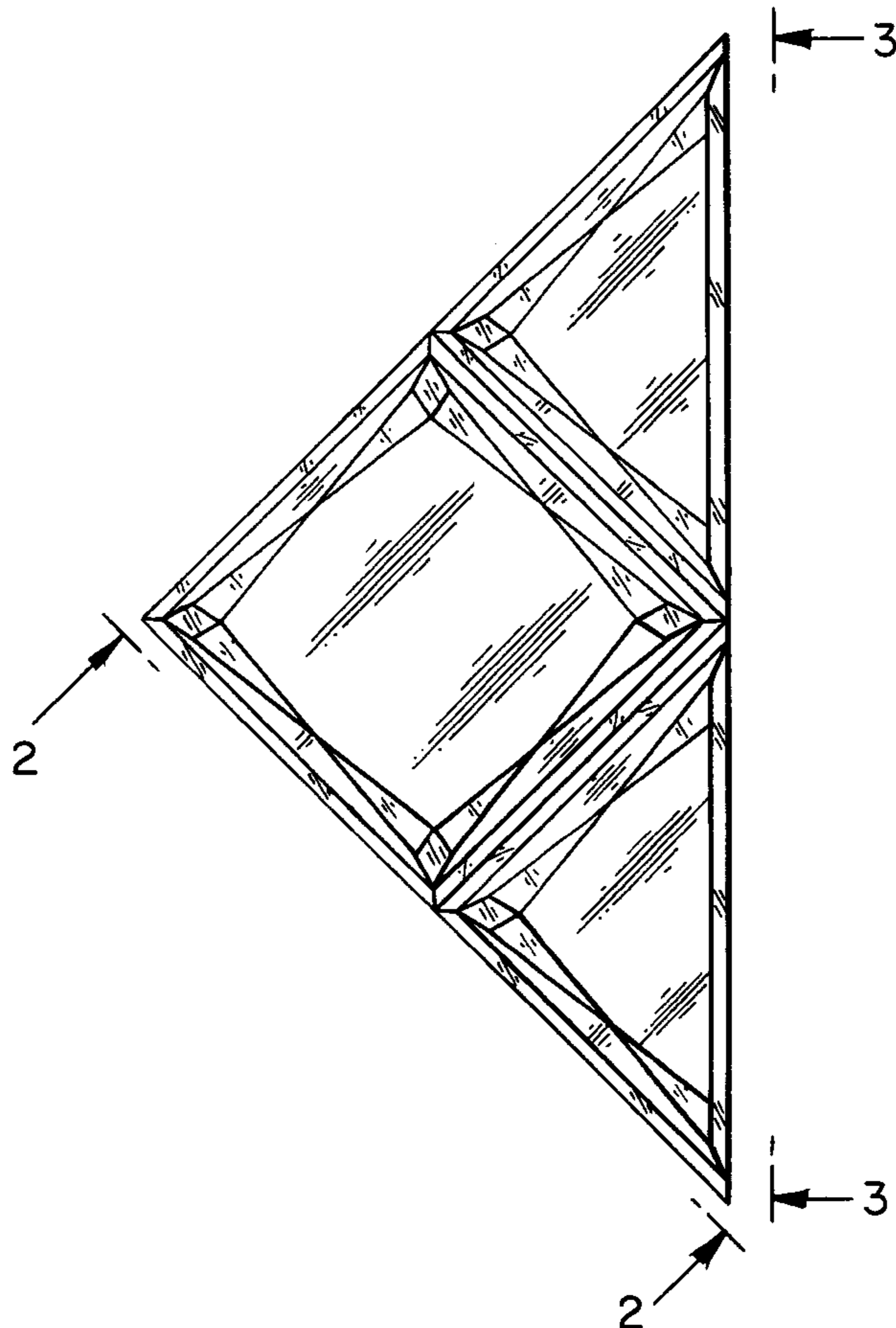


FIG. 1

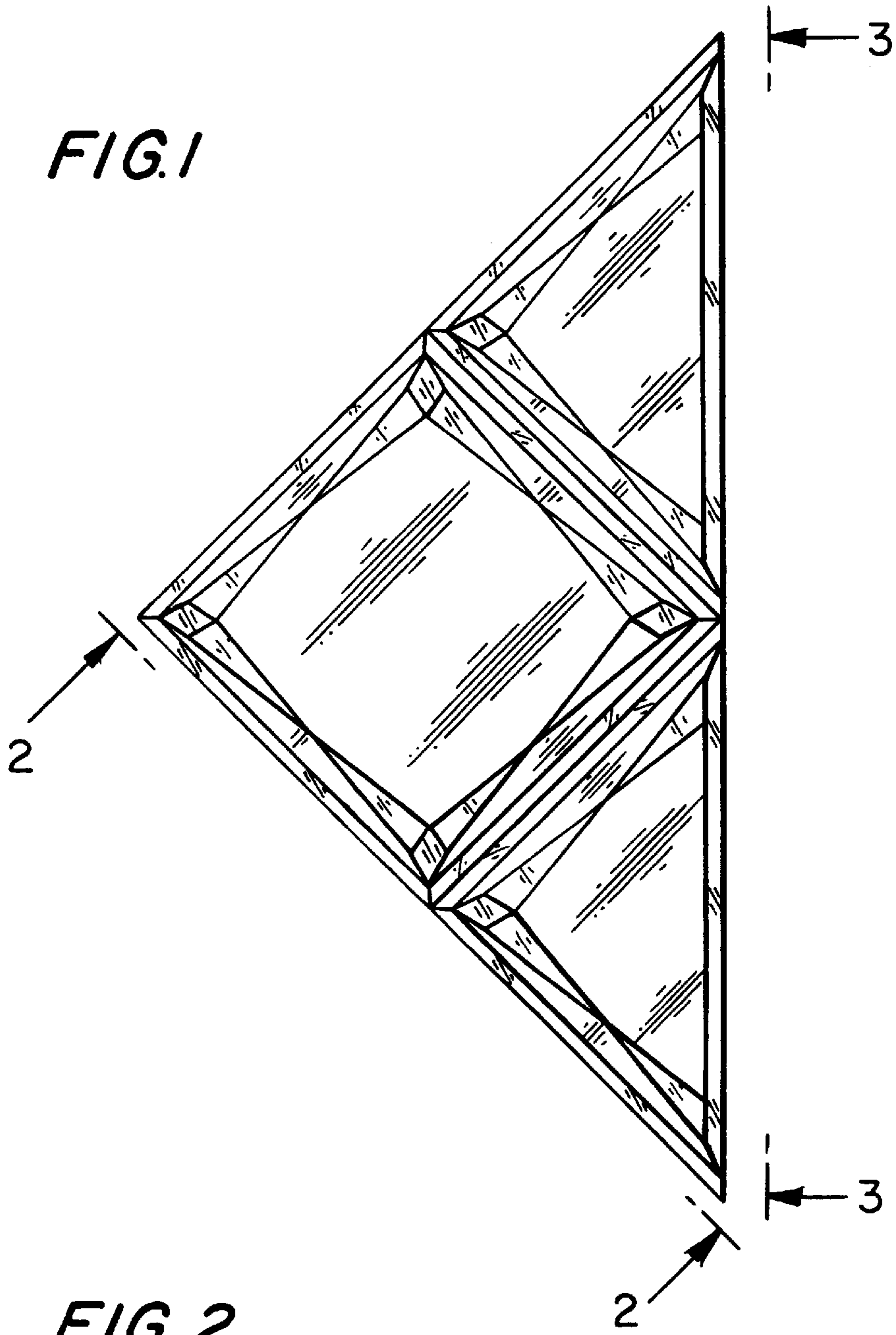


FIG. 2

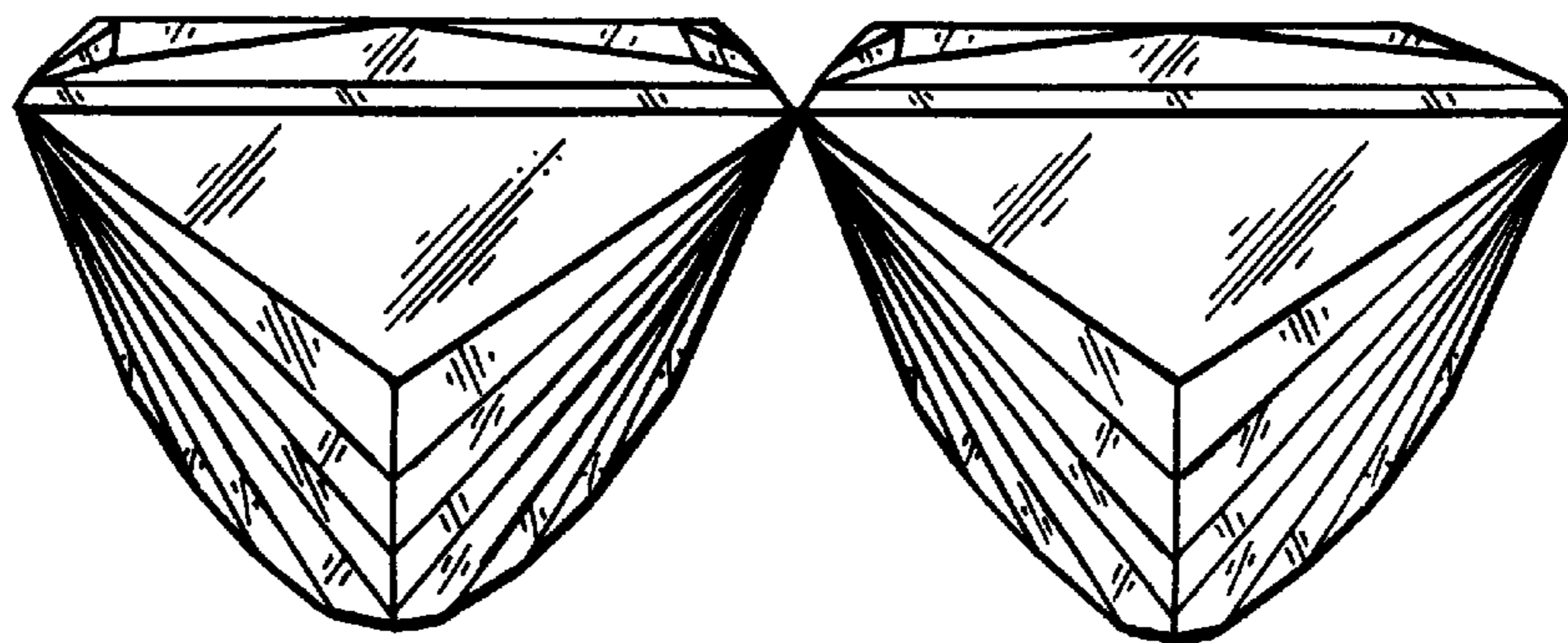


FIG. 3

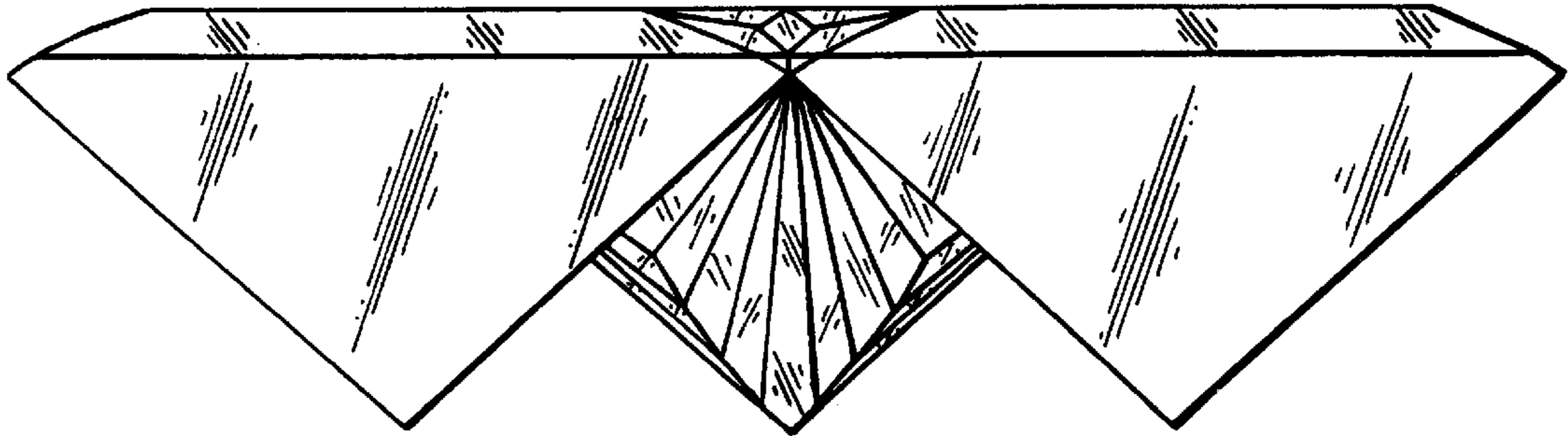


FIG. 4

