



US00D440177S

(12) **United States Design Patent**
Gruosi

(10) **Patent No.:** **US D440,177 S**

(45) **Date of Patent:** **** Apr. 10, 2001**

(54) **RING**

(76) **Inventor:** **Fawaz Gruosi**, Chemin de Trembley
30, 1197 Prangins (CH)

(**) **Term:** **14 Years**

(21) **Appl. No.:** **29/085,270**

(22) **Filed:** **Mar. 19, 1998**

(51) **LOC (7) Cl.** **11-01**

(52) **U.S. Cl.** **D11/26**

(58) **Field of Search** D11/26-39, 81,
D11/48, 99, 56, 217, 66, 103, 75, 3, 4,
5, 12; 63/1.12, 1.13, 15, 15.1-15.3, 15.45,
3

(56) **References Cited**

U.S. PATENT DOCUMENTS

D. 68,640	*	11/1925	Robbins	D11/34
D. 133,402	*	8/1942	Boucer	D11/27
D. 158,928	*	8/1950	Reising	D11/26
D. 168,769	*	2/1953	Steiner	D11/29
D. 177,384	*	4/1956	Katz	D11/34
D. 232,965	*	9/1974	Atwell	D11/27
D. 259,109	*	5/1981	Murphy	D11/75
D. 269,956	*	8/1983	Sears et al.	D11/30

D. 278,417	*	4/1985	Lewis	D11/27
D. 308,651	*	6/1990	Bulgari	D11/42
D. 315,875	*	4/1991	Bulgari	D11/43
D. 329,991	*	10/1992	Gonzalez	D11/30
D. 374,836	*	10/1996	Weiss	D11/26
D. 379,601	*	6/1997	Izkowitz	D11/40
D. 383,996	*	9/1997	Bulgari	D11/26
1,536,365	*	5/1925	Wiseman	63/1.12
5,115,648	*	5/1992	Salvucci	63/15

* cited by examiner

Primary Examiner—Cathy Anne MacCormac
(74) *Attorney, Agent, or Firm*—Marguerite Del Valle

(57) **CLAIM**

The ornamental design for a ring, as shown.

DESCRIPTION

FIG. 1 is a front elevational view of a ear-ring showing my new design;

FIG. 2 is a rear elevational view thereof;

FIG. 3 is a bottom plan view thereof;

FIG. 4 is a top plan view thereof;

FIG. 5 is a left side elevational view thereof; and,

FIG. 6 is a right side elevational view thereof.

1 Claim, 3 Drawing Sheets

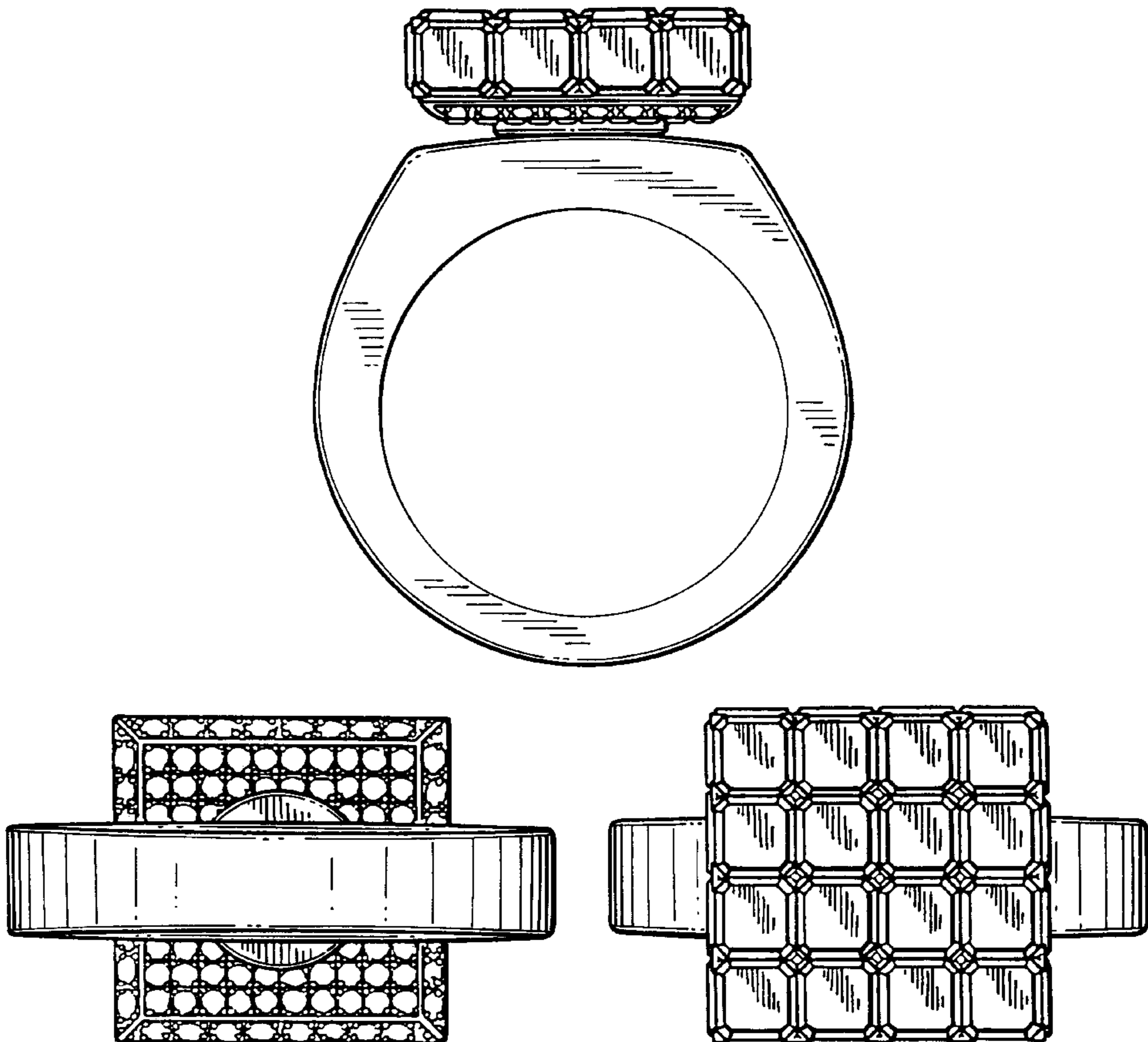


FIG. 1

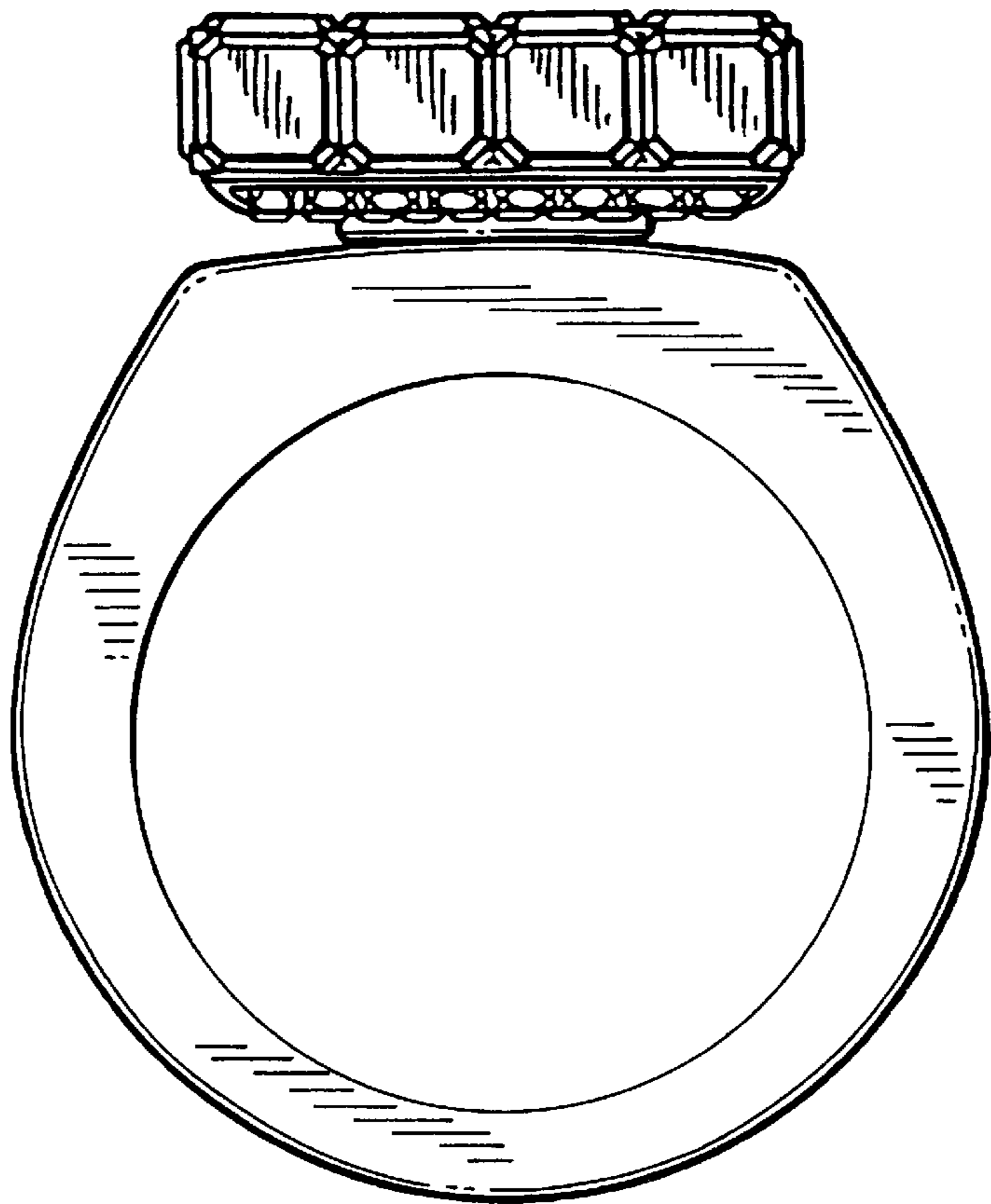


FIG. 2

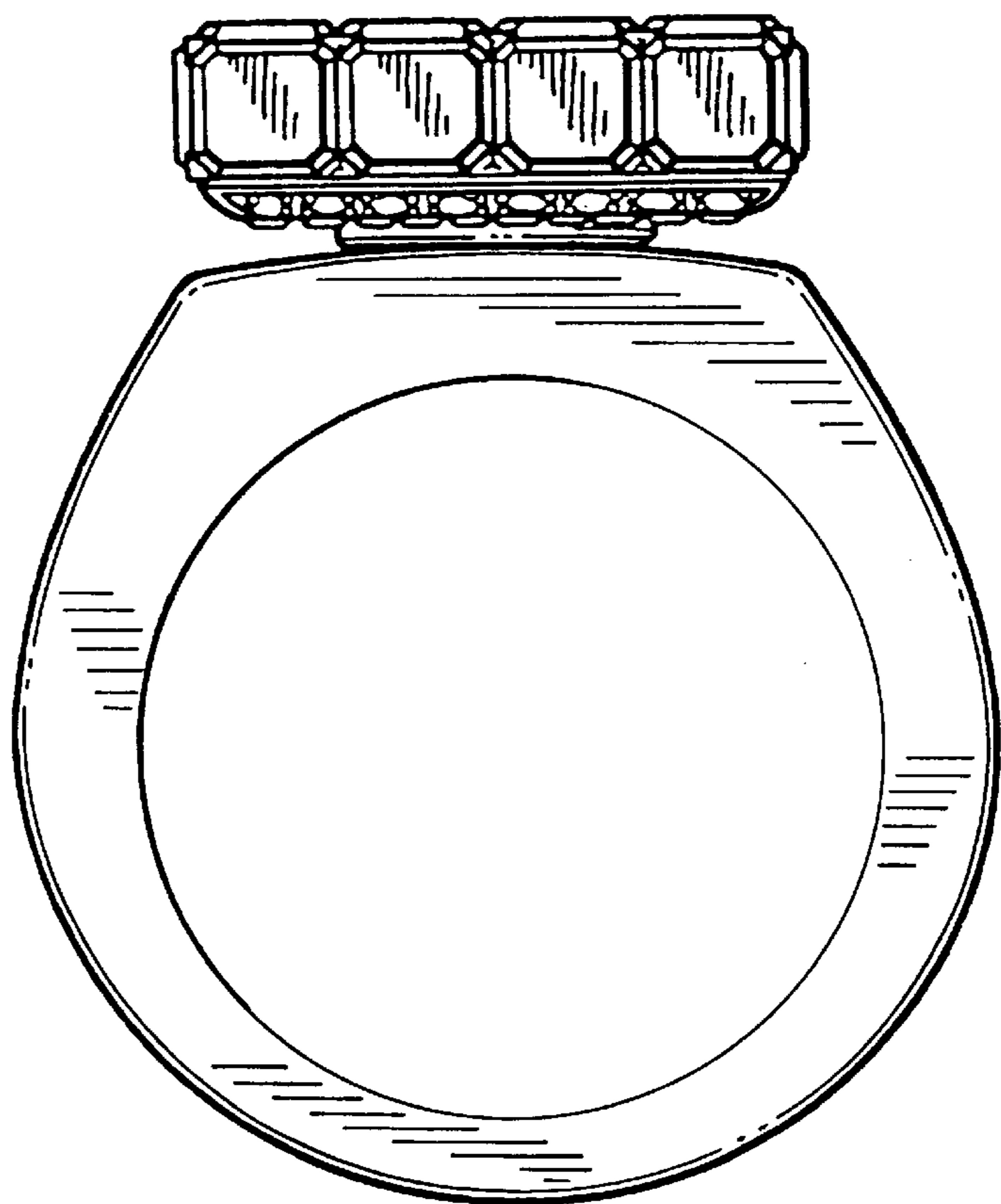


FIG. 3

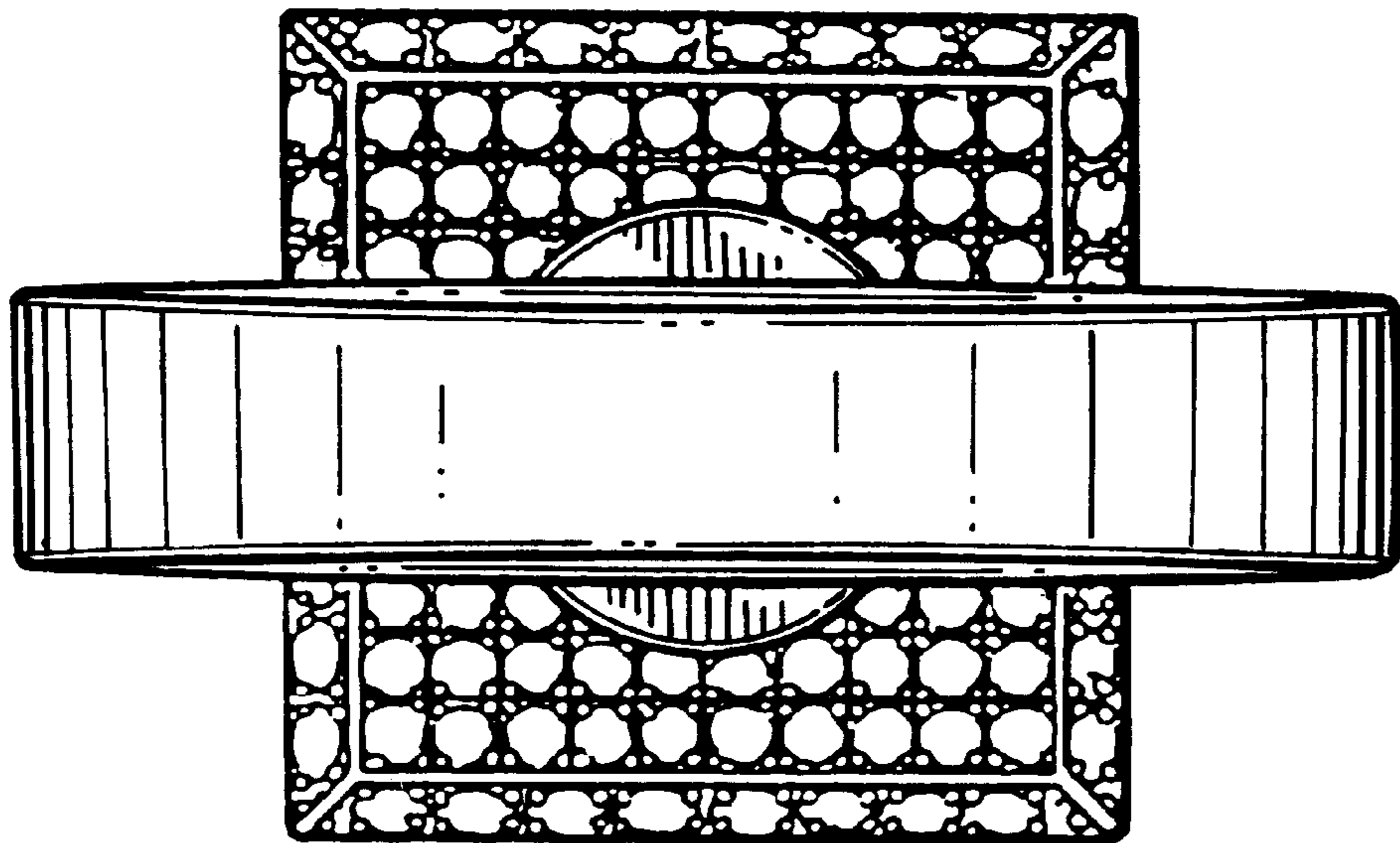
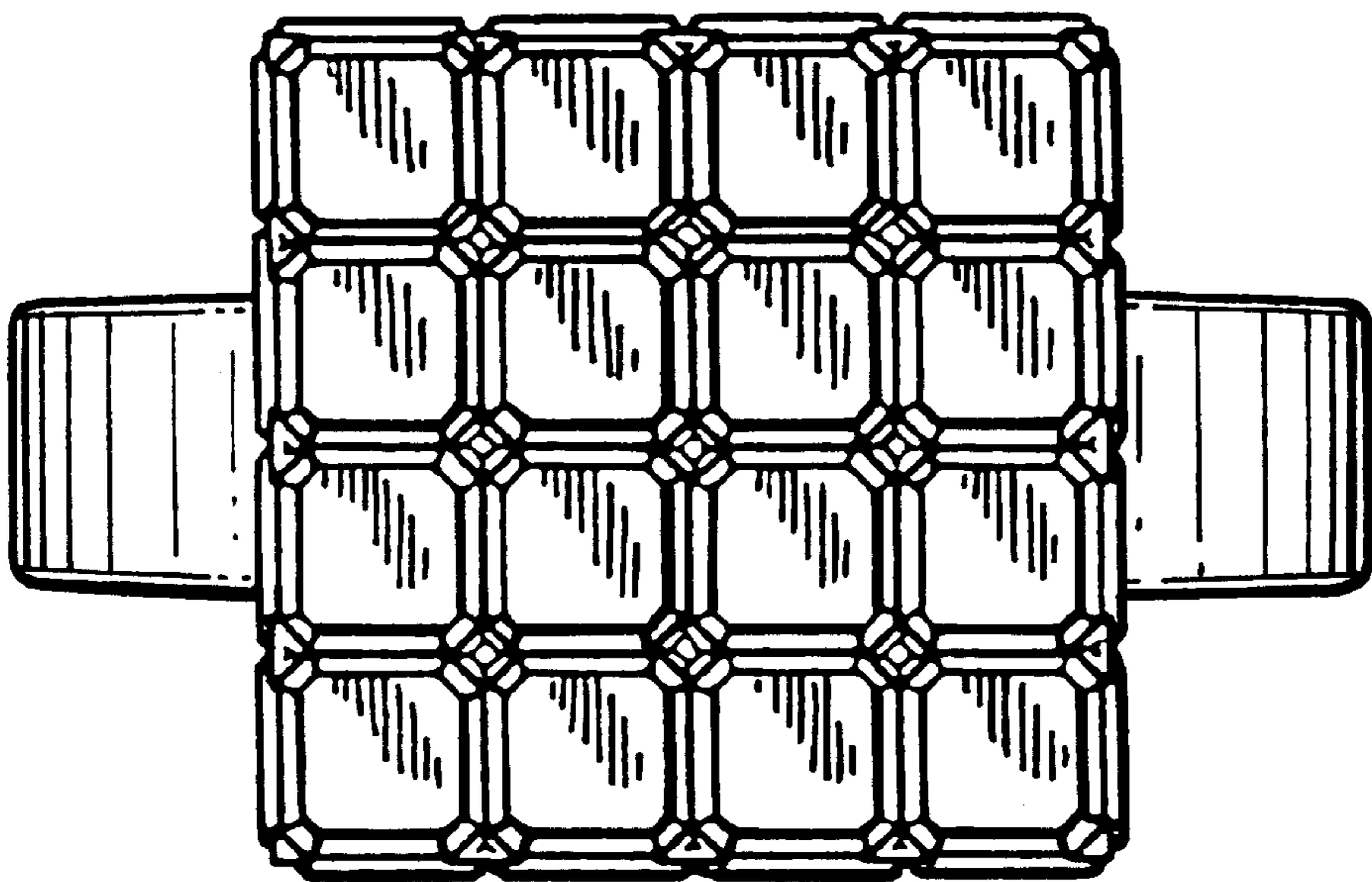


FIG. 4



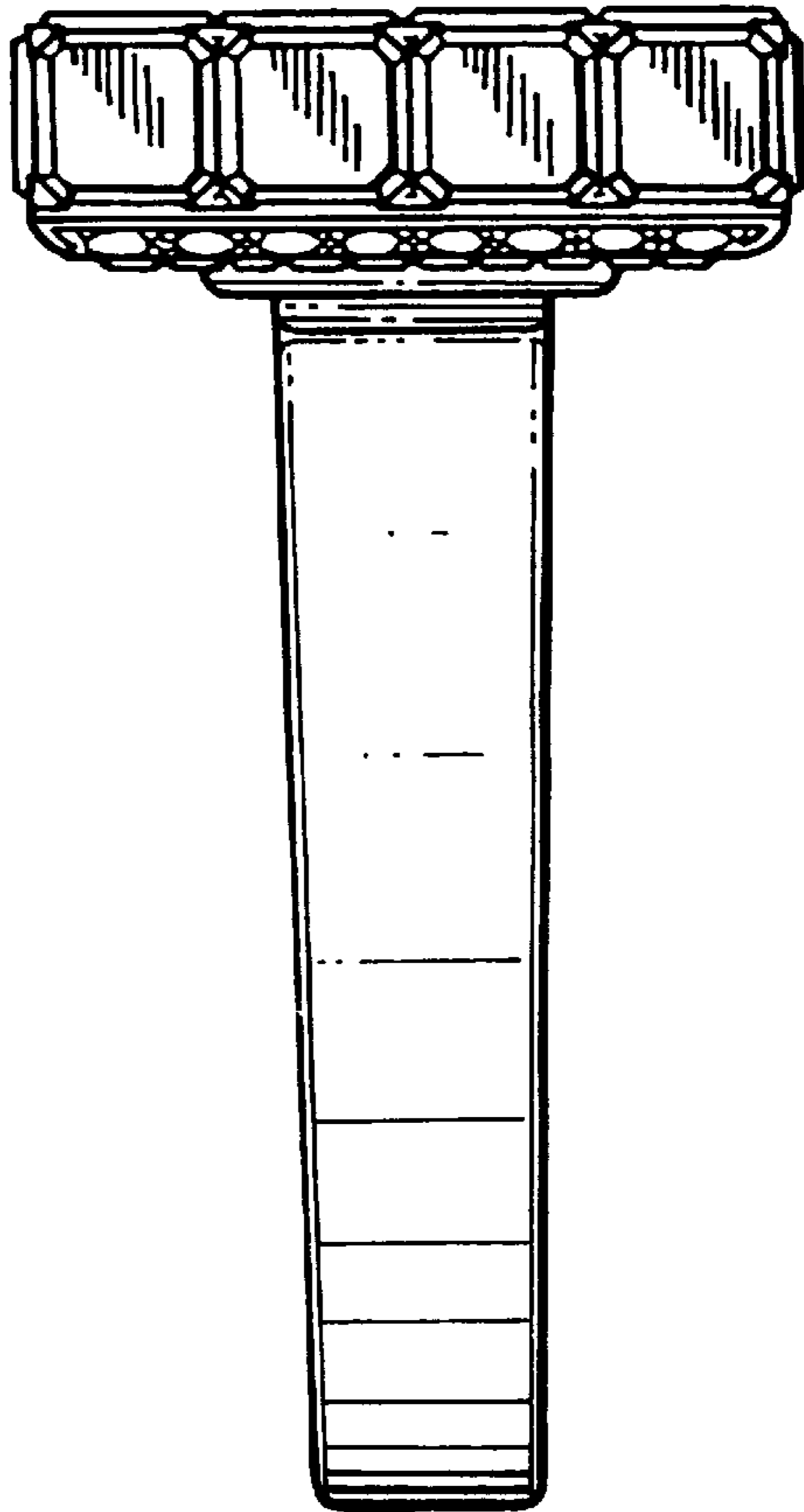


FIG. 5

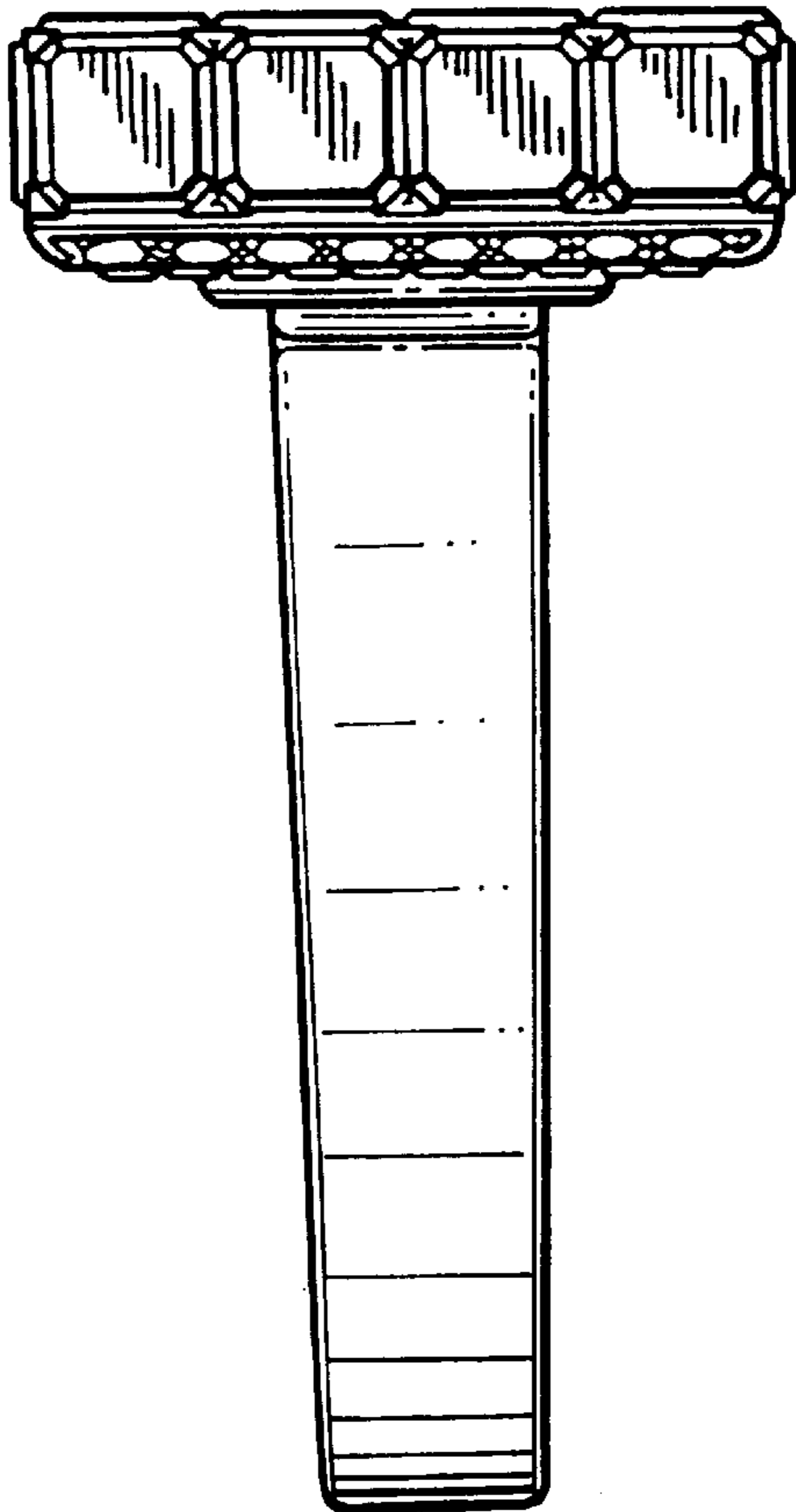


FIG. 6