



US00D440175S

(12) **United States Design Patent**  
**Hu**

(10) **Patent No.:** **US D440,175 S**

(45) **Date of Patent:** **\*\* Apr. 10, 2001**

(54) **SIREN**

(75) Inventor: **Hsin-Kai Hu**, Taipei (TW)

(73) Assignee: **Alertek Corporation**, Taipei (TW)

(\*\*) Term: **14 Years**

(21) Appl. No.: **29/114,959**

(22) Filed: **Dec. 3, 1999**

(51) **LOC (7) Cl.** ..... **10-05**

(52) **U.S. Cl.** ..... **D10/120**

(58) **Field of Search** ..... D10/104, 106,  
D10/116, 119, 120, 121; 340/384.1, 384.3,  
387.7, 388.1, 390.1, 391.1, 392.2, 392.4

(56) **References Cited**

**U.S. PATENT DOCUMENTS**

D. 279,771	*	7/1985	Hinata	.....	D10/120
D. 345,317	*	3/1994	Issa	.....	D10/120
D. 382,221	*	8/1997	Chen	.....	D10/120
D. 397,636	*	9/1998	Chu	.....	D10/120
D. 406,074	*	2/1999	Hu	.....	D10/120

\* cited by examiner

*Primary Examiner*—Marcus A. Jackson

(74) *Attorney, Agent, or Firm*—J.C. Patents; Jaiwei Huang

(57) **CLAIM**

The ornamental design for a siren, as shown and described.

**DESCRIPTION**

FIG. 1 is a perspective view of a siren for showing a new design;

FIG. 2 is a front elevational view thereof;

FIG. 3 is a left side elevational view thereof;

FIG. 4 is a right side elevational view thereof;

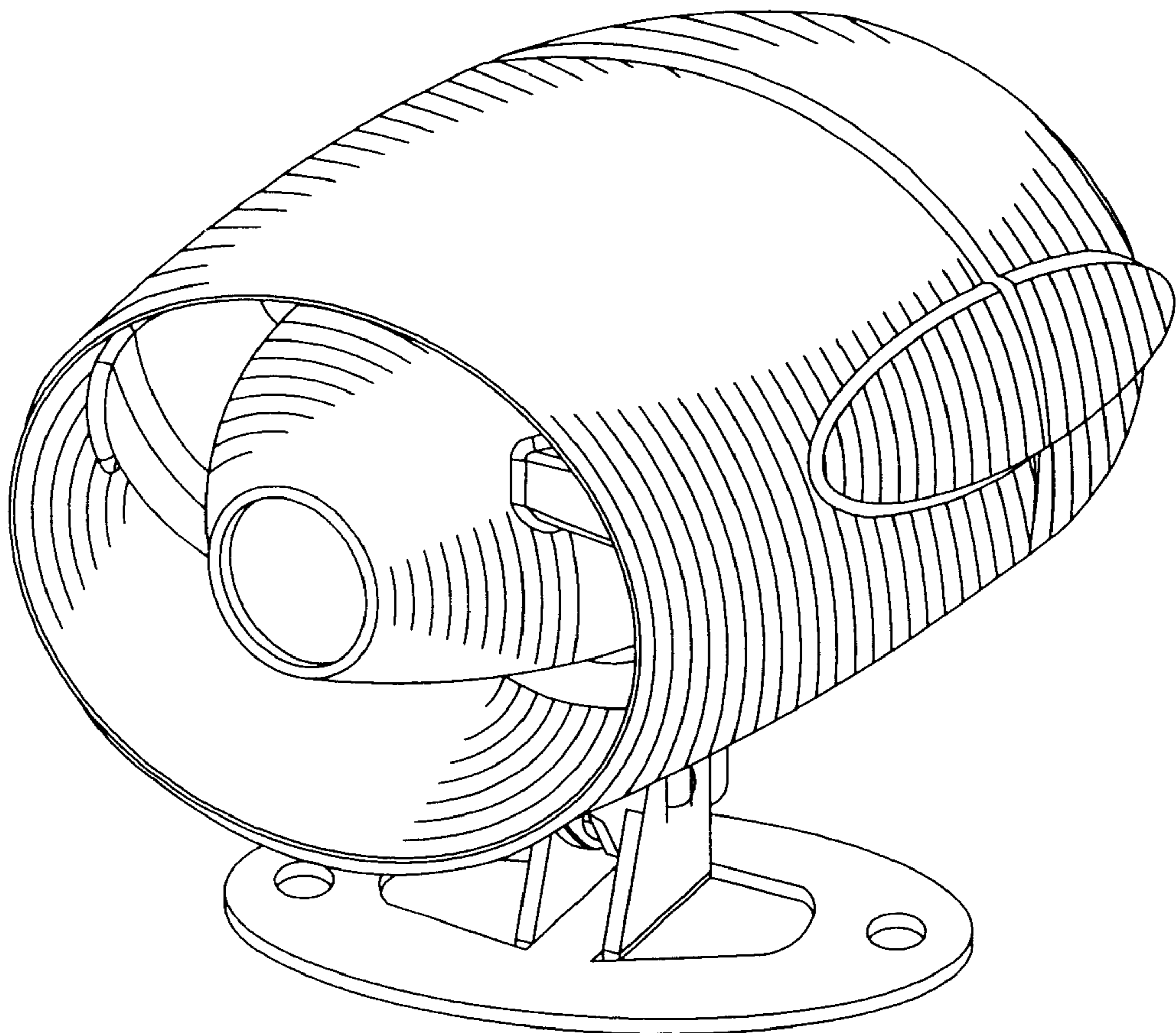
FIG. 5 is a top plan view thereof;

FIG. 6 is a bottom plan view thereof;

FIG. 7 is a rear elevational view thereof; and,

FIG. 8 is a detail view thereof, wherein the siren has a bowed shape and the siren comprises a protuberant assembly on two sides of the siren to facilitate the emplacement and disassembly of the siren, an impeller-like vocal hole is located on a front end of the siren to enlarge the sound, a metal frame is fixed on a bottom of the siren to maintain the siren on a horizontal plane, and a screw is located on the bottom of the siren to adjust an angle of elevation of the siren.

**1 Claim, 4 Drawing Sheets**



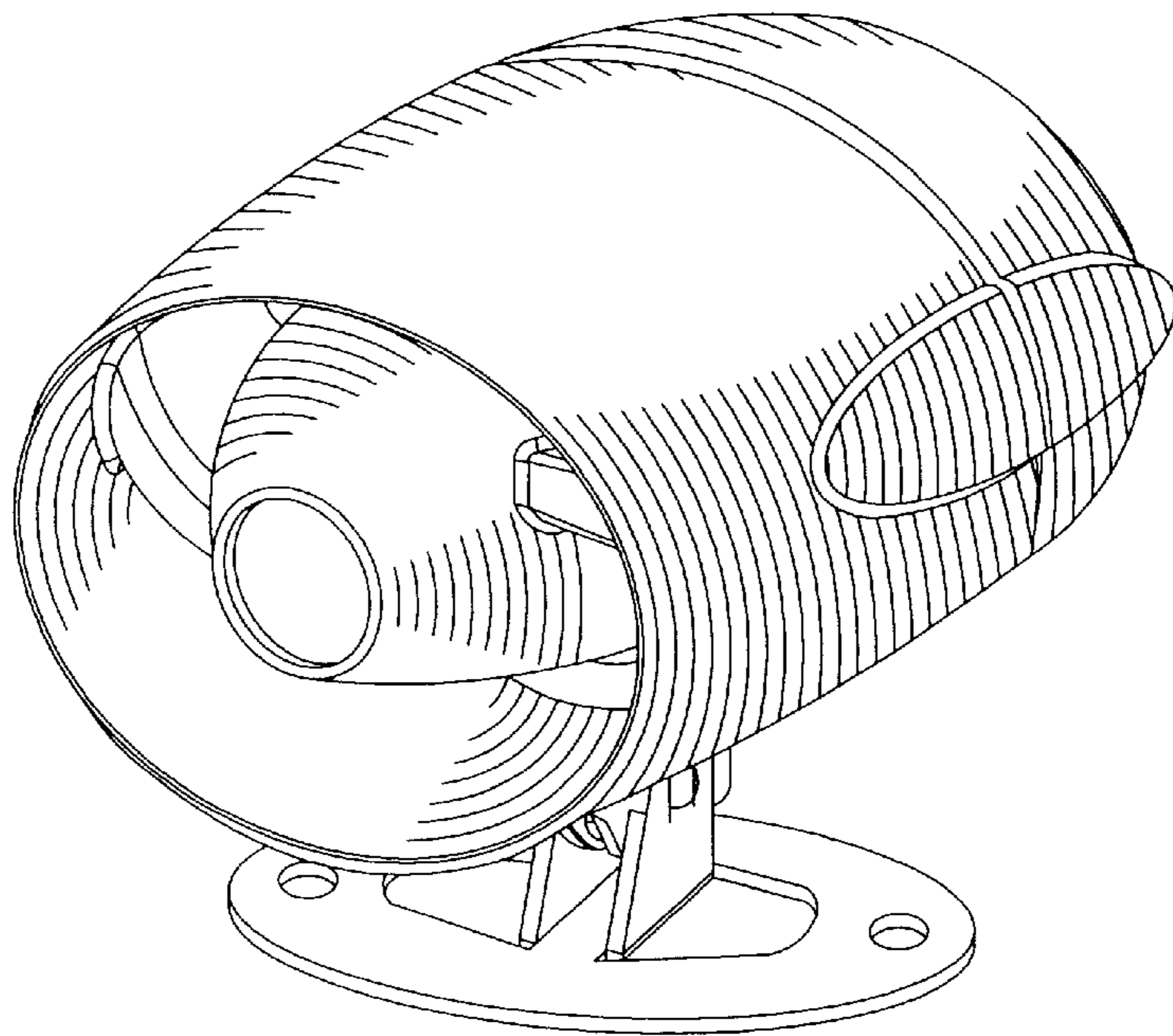


FIG. 1

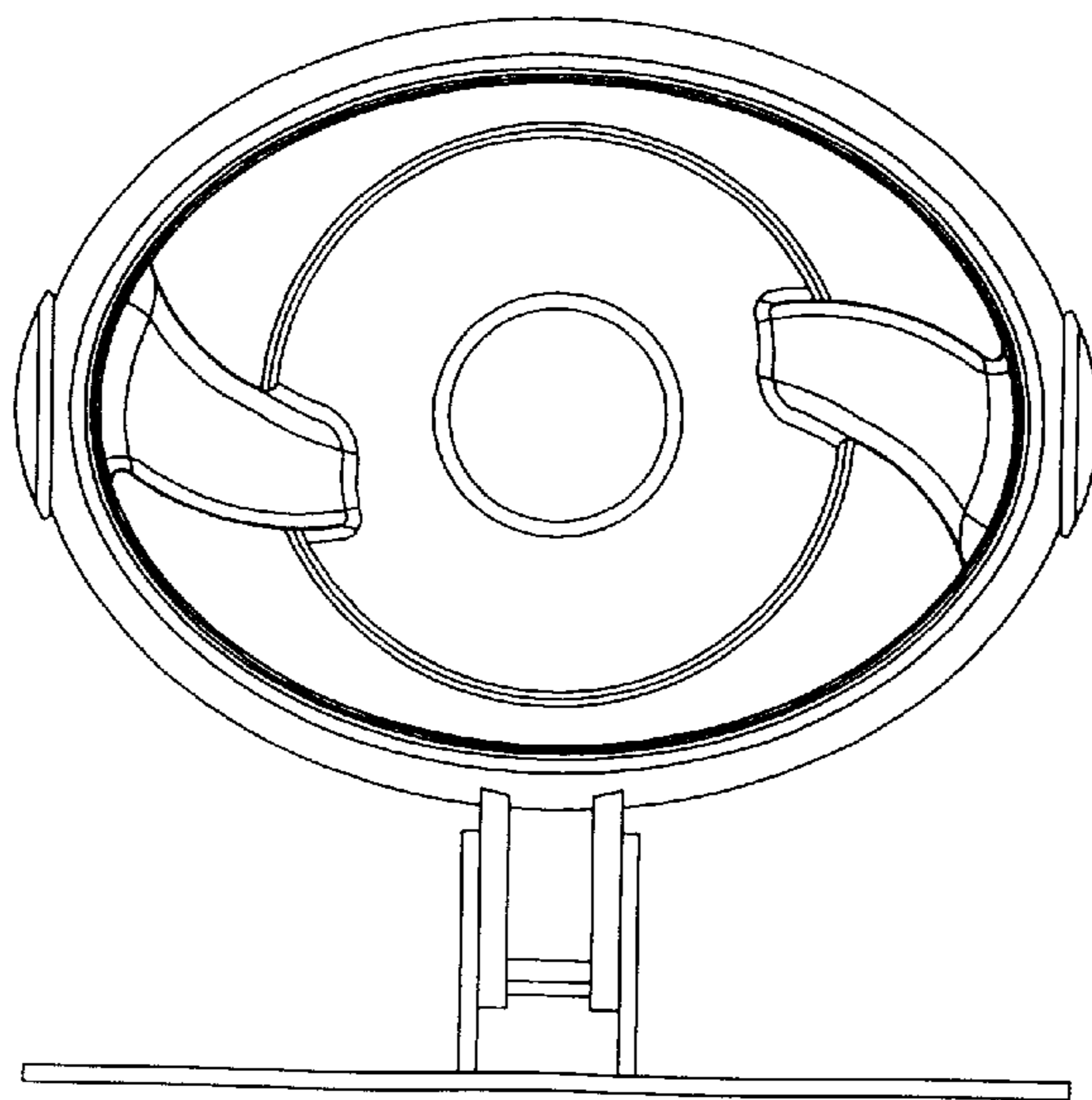


FIG. 2

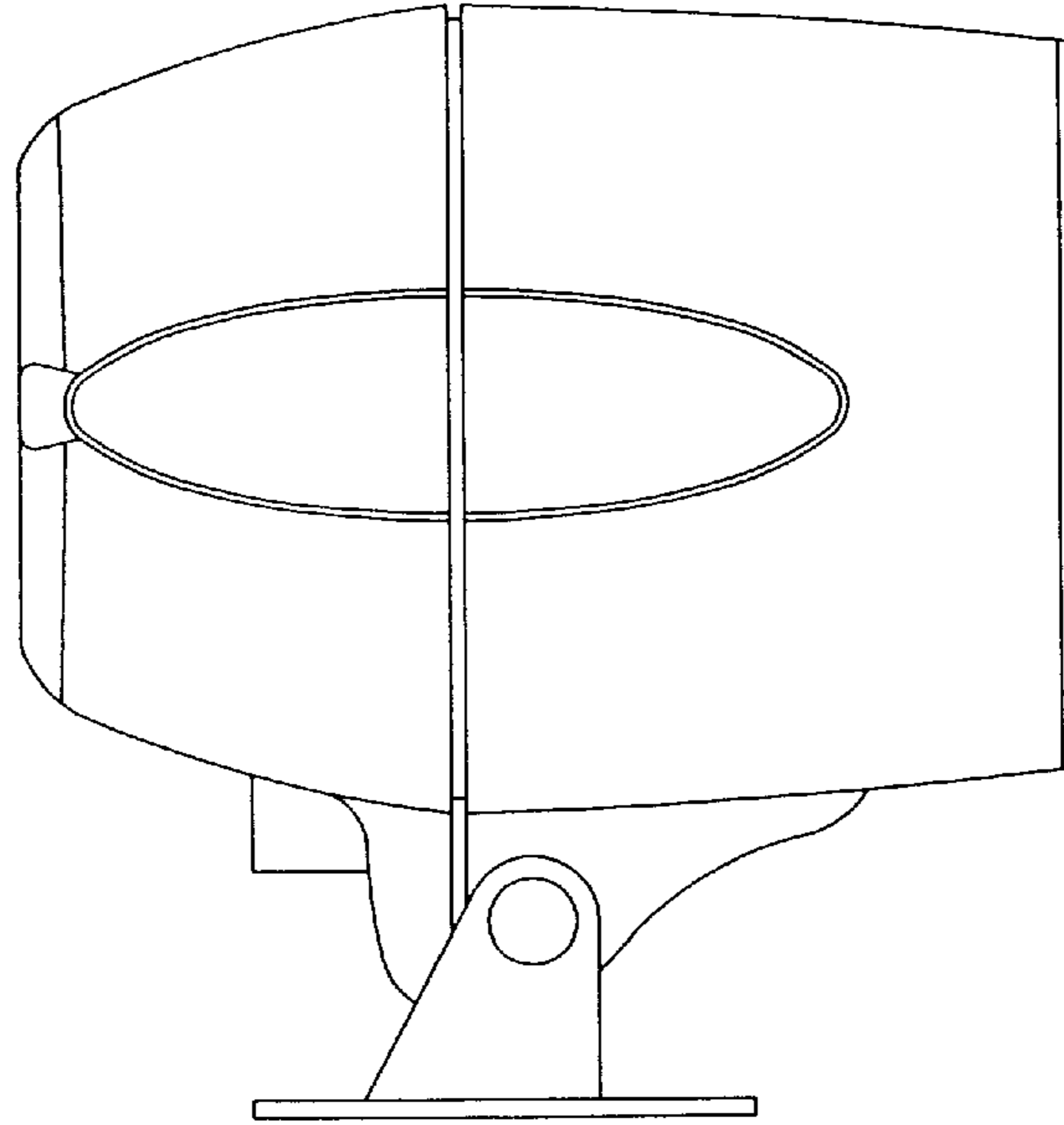


FIG. 3

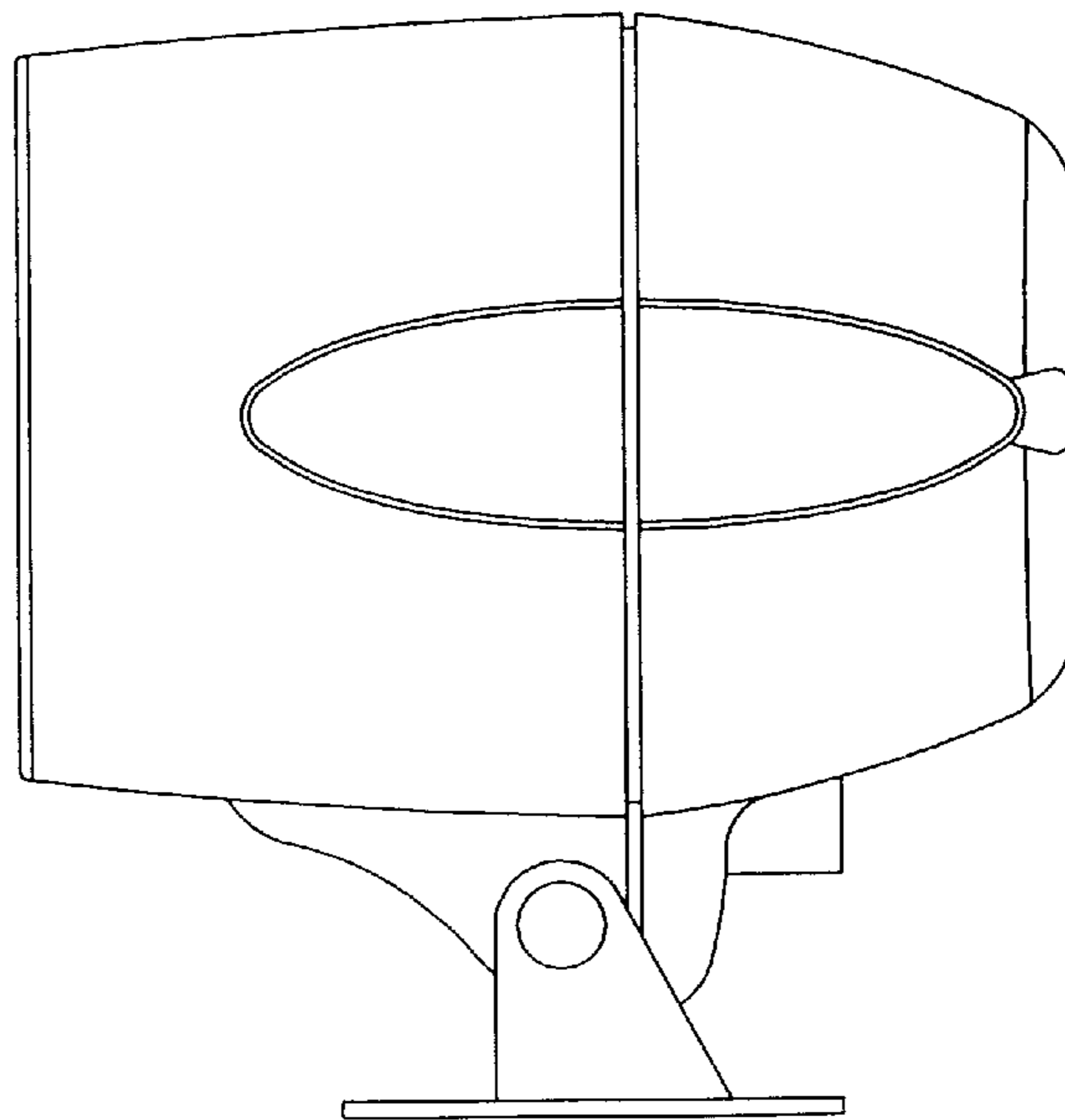


FIG. 4

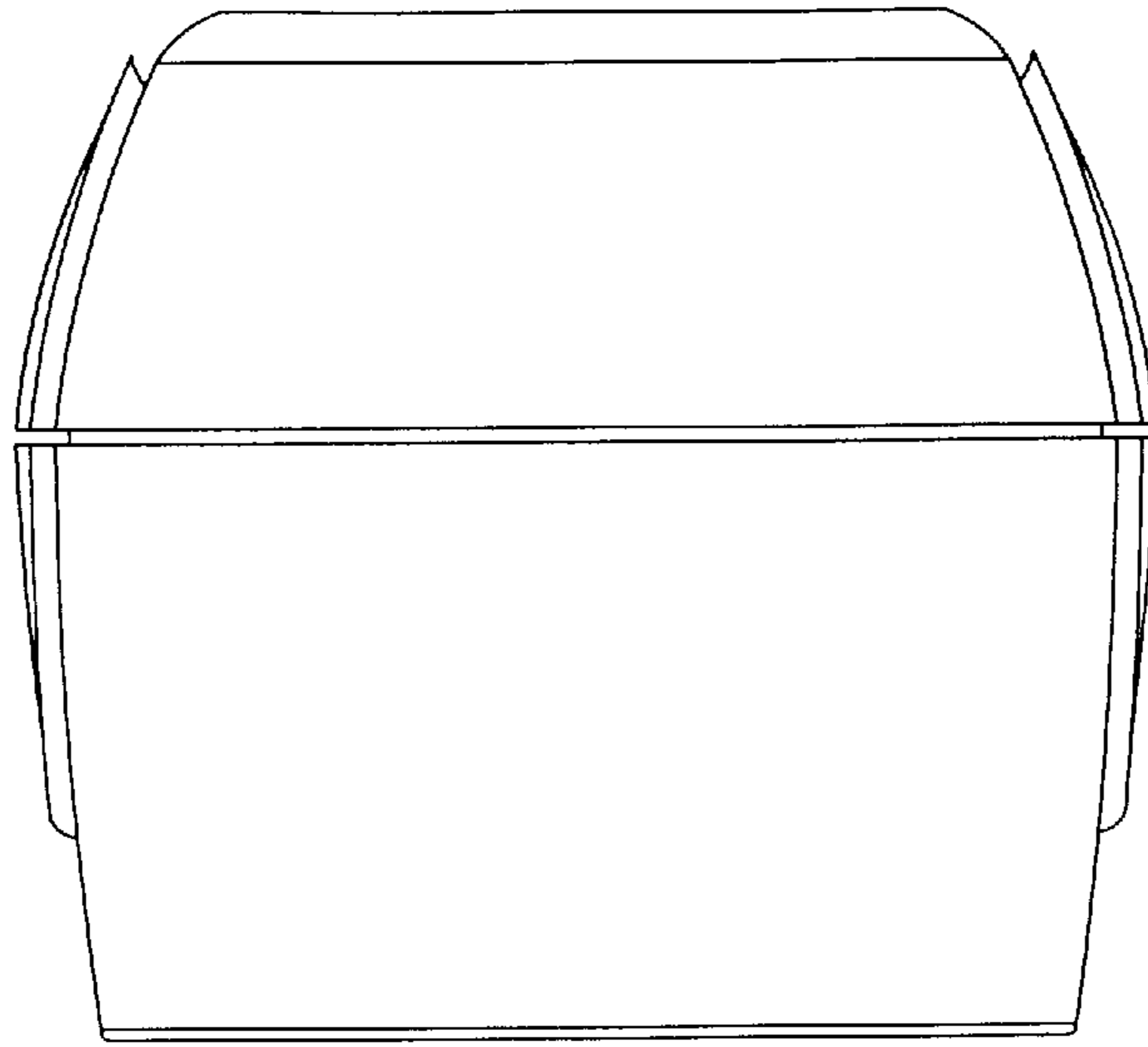


FIG. 5

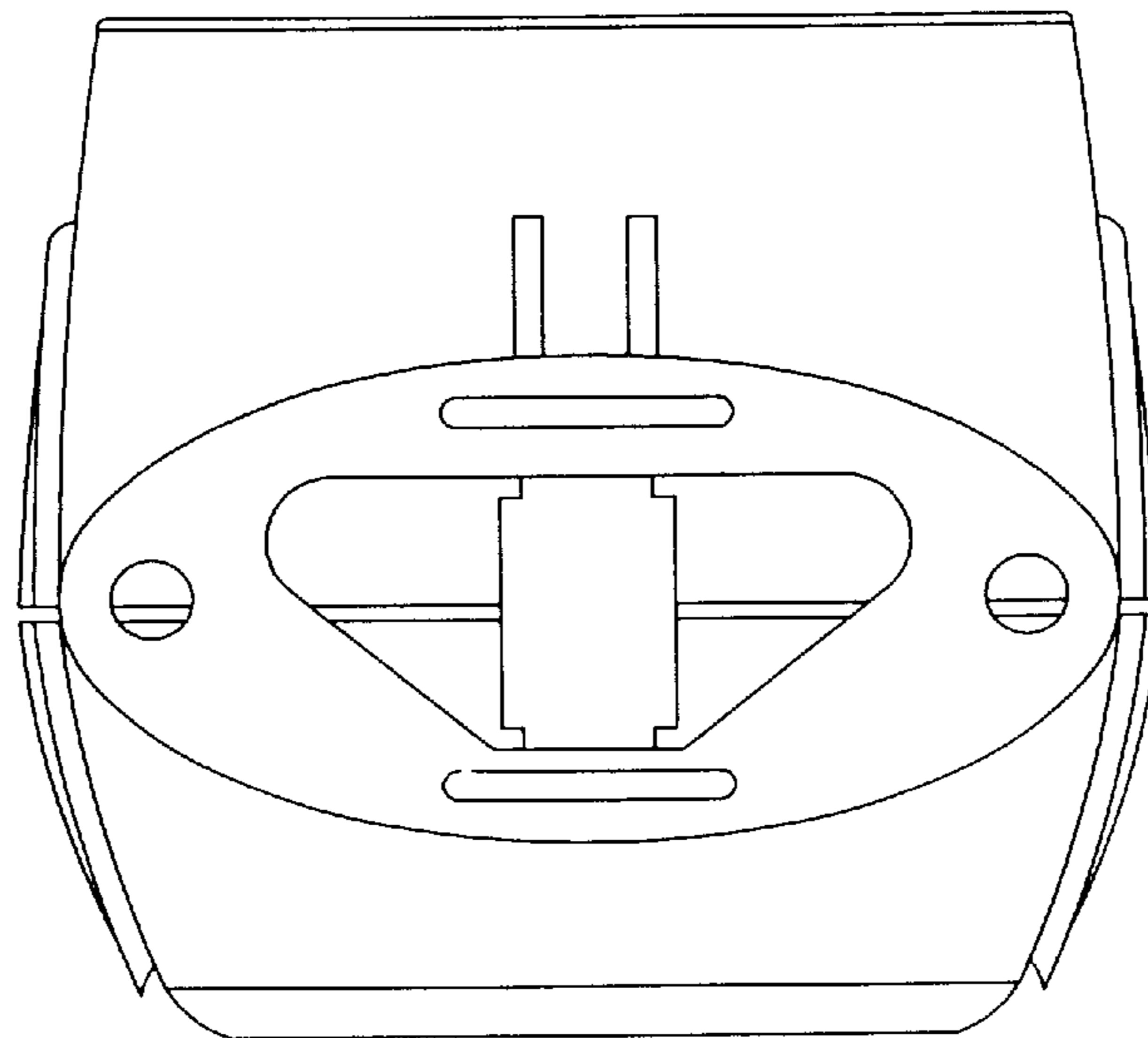


FIG. 6

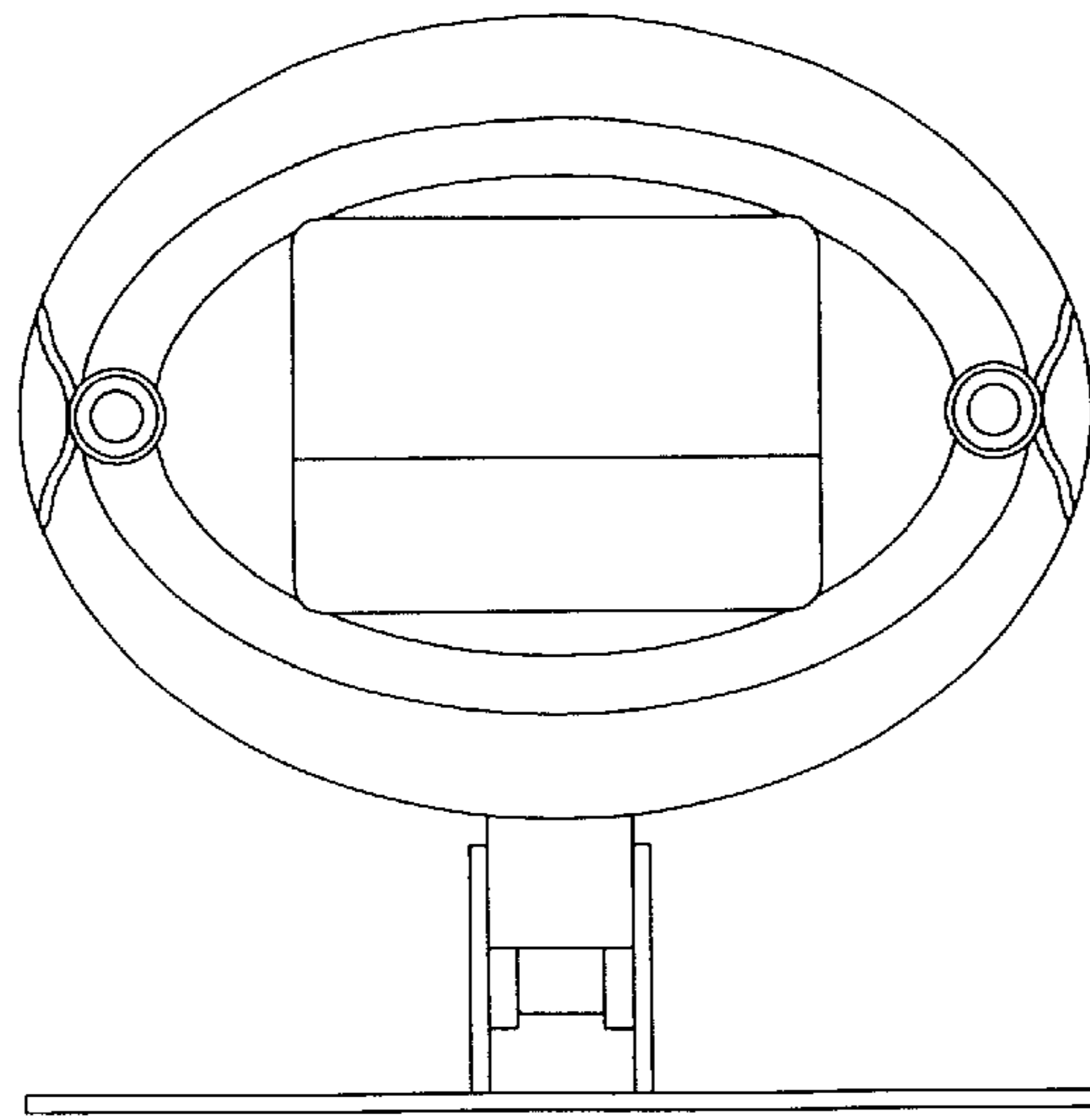


FIG. 7

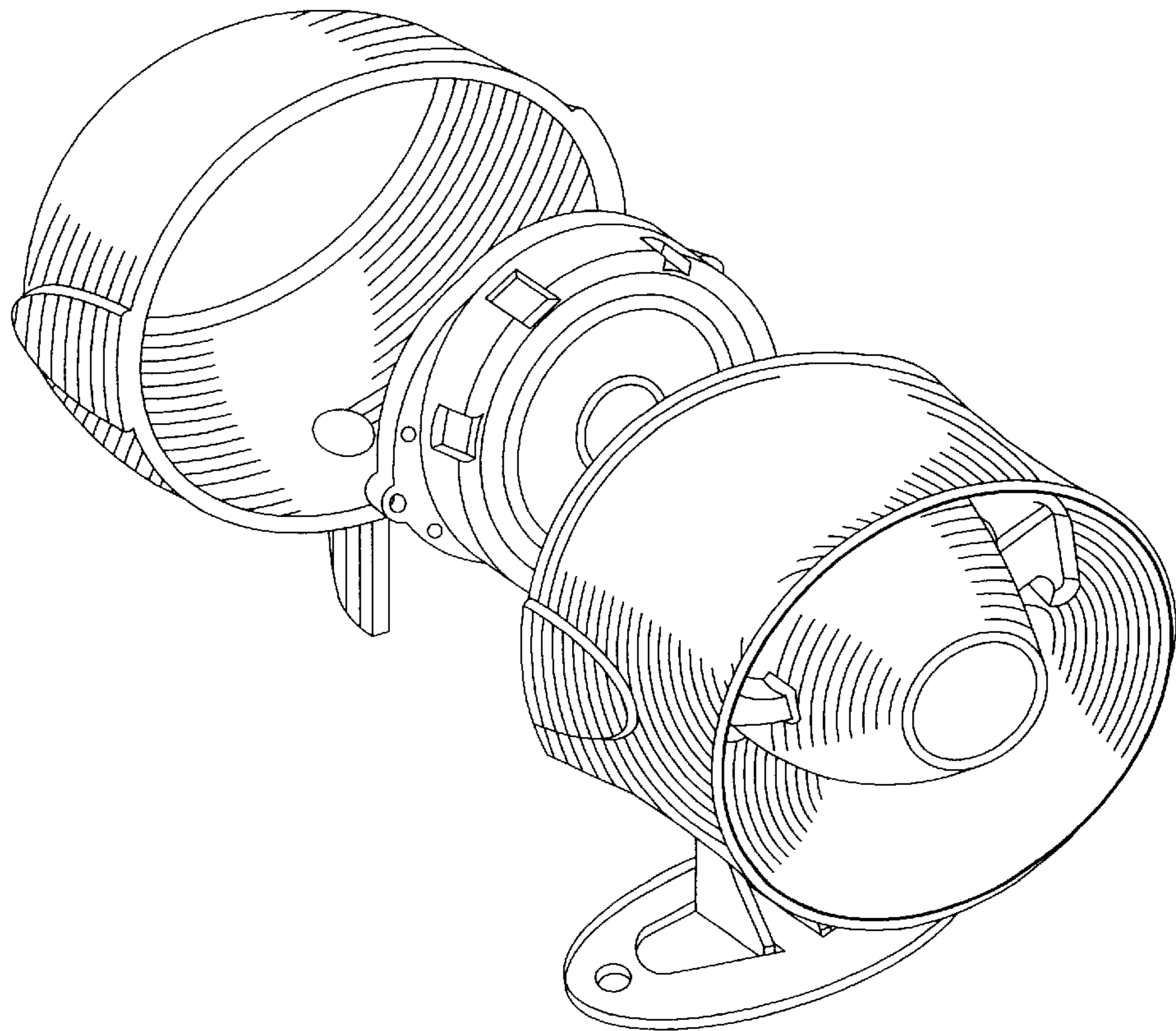


FIG. 8