



US00D440174S

(12) **United States Design Patent**
Asahina

(10) **Patent No.:** **US D440,174 S**

(45) **Date of Patent:** **** Apr. 10, 2001**

(54) **ELECTROMAGNETIC SOUND GENERATOR**

(75) Inventor: **Masato Asahina**, Yamanashi-ken (JP)

(73) Assignee: **Citizen Electronics Co., Ltd.**,
Yamanashi-ken (JP)

(**) Term: **14 Years**

(21) Appl. No.: **29/103,371**

(22) Filed: **Apr. 14, 1999**

(30) **Foreign Application Priority Data**

Oct. 14, 1998 (JP) 10-29389

(51) **LOC (7) Cl.** **10-05**

(52) **U.S. Cl.** **D10/116**

(58) **Field of Search** D10/104, 106,
D10/116, 121; D13/152, 156; 340/384.1,
384.3, 384.7, 388.1, 390.1, 391.1, 392.2,
392.4

(56) **References Cited**

U.S. PATENT DOCUMENTS

D. 408,822 * 4/1999 Tajima et al. D10/116

D. 410,211 * 5/1999 Murano D10/116

D. 411,127 * 6/1999 Kuwabaca D10/116

* cited by examiner

Primary Examiner—Marcus A. Jackson

(74) *Attorney, Agent, or Firm*—Dennison, Scheiner,
Schultz & Wakeman

(57) **CLAIM**

The ornamental design for an electromagnetic sound generator, as shown and described.

DESCRIPTION

FIG. 1 is a top view of an electromagnetic sound generator embodying our new design;

FIG. 2 is a front view thereof;

FIG. 3 is a bottom view thereof;

FIG. 4 is a rear view thereof;

FIG. 5 is a left side view thereof;

FIG. 6 is a right side view thereof;

FIG. 7 is a perspective view as viewed from the upper side thereof;

FIG. 8 is a perspective view as viewed from the lower side thereof;

FIG. 9 is an exploded perspective view as viewed from the upper side thereof;

FIG. 10 is an exploded perspective view as viewed from the lower side thereof;

FIG. 11 is a sectional view taken along a line A—A of FIG. 2;

FIG. 12 is a sectional view taken along a line B—B of FIG. 5; and,

FIG. 13 is a sectional view taken along a line C—C of FIG. 5.

1 Claim, 8 Drawing Sheets

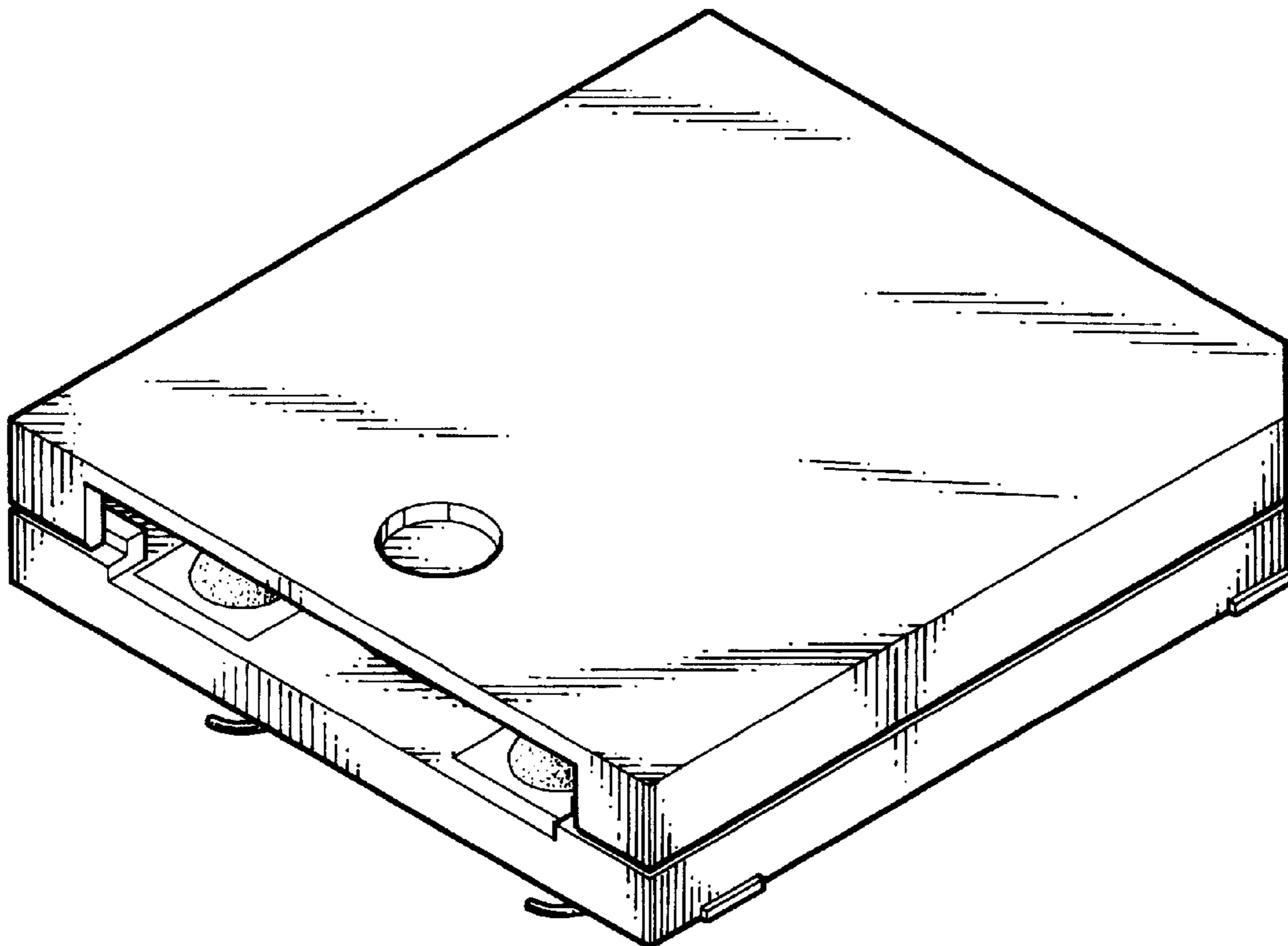


Fig . 1

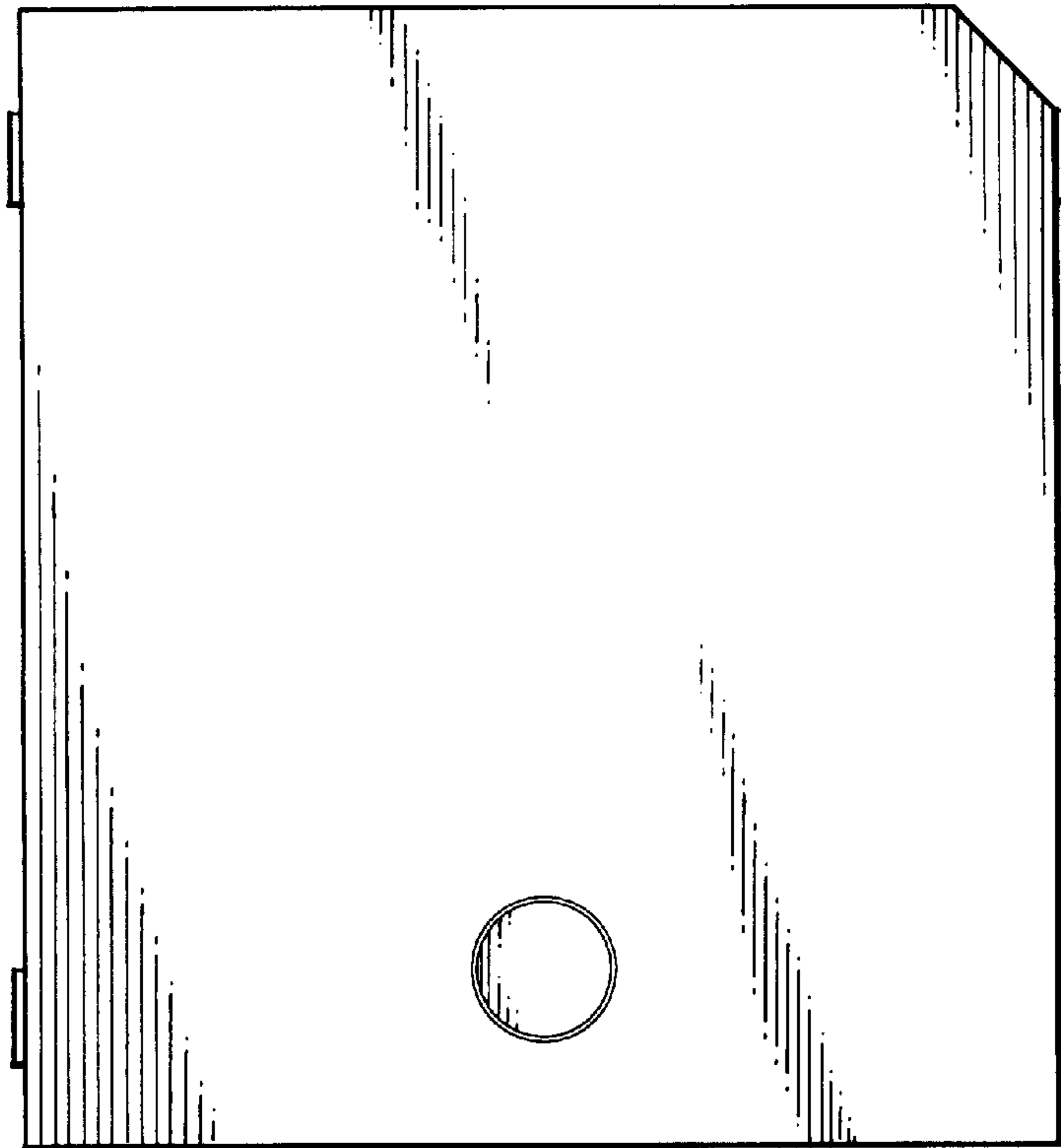


Fig . 2

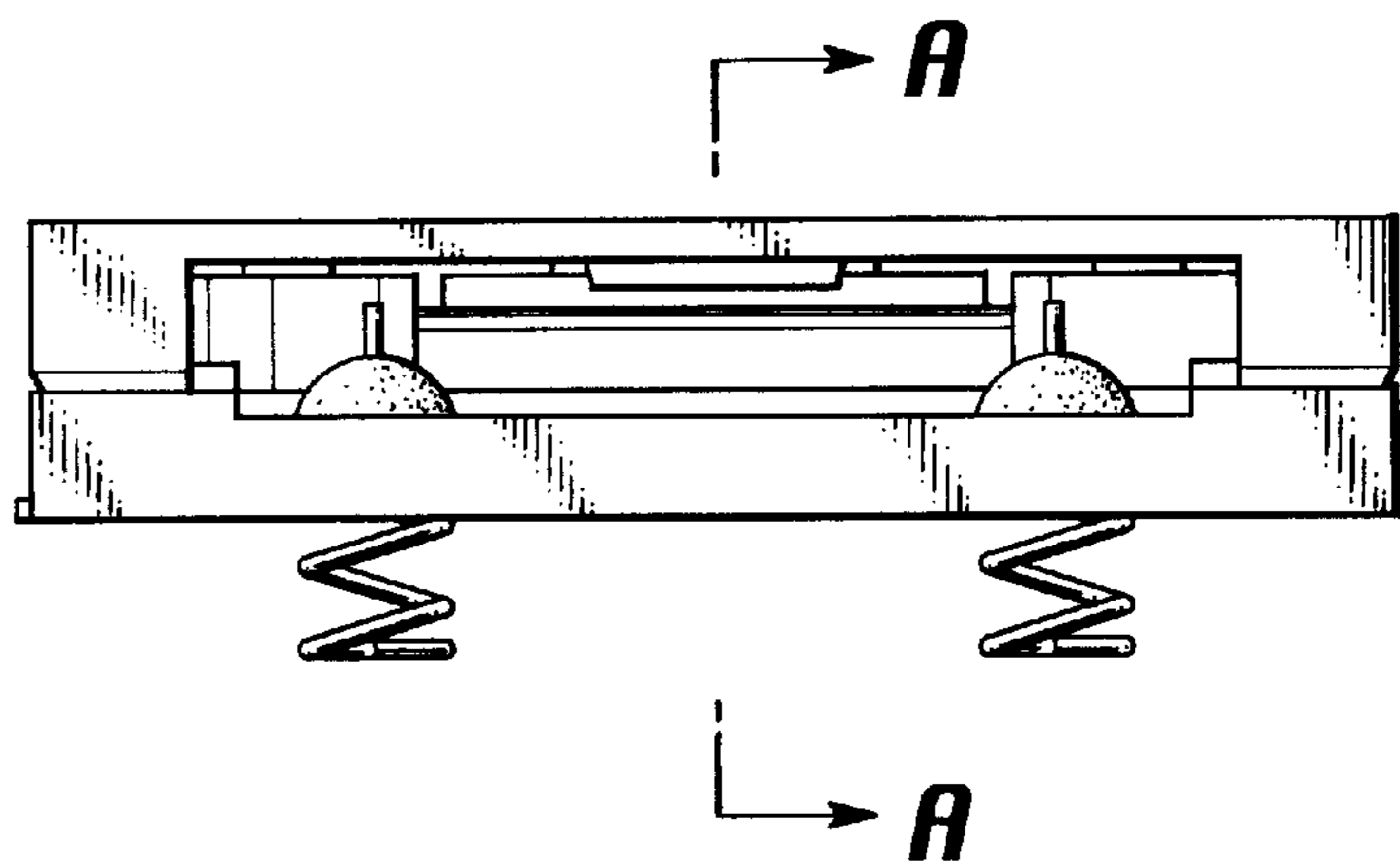


Fig . 3

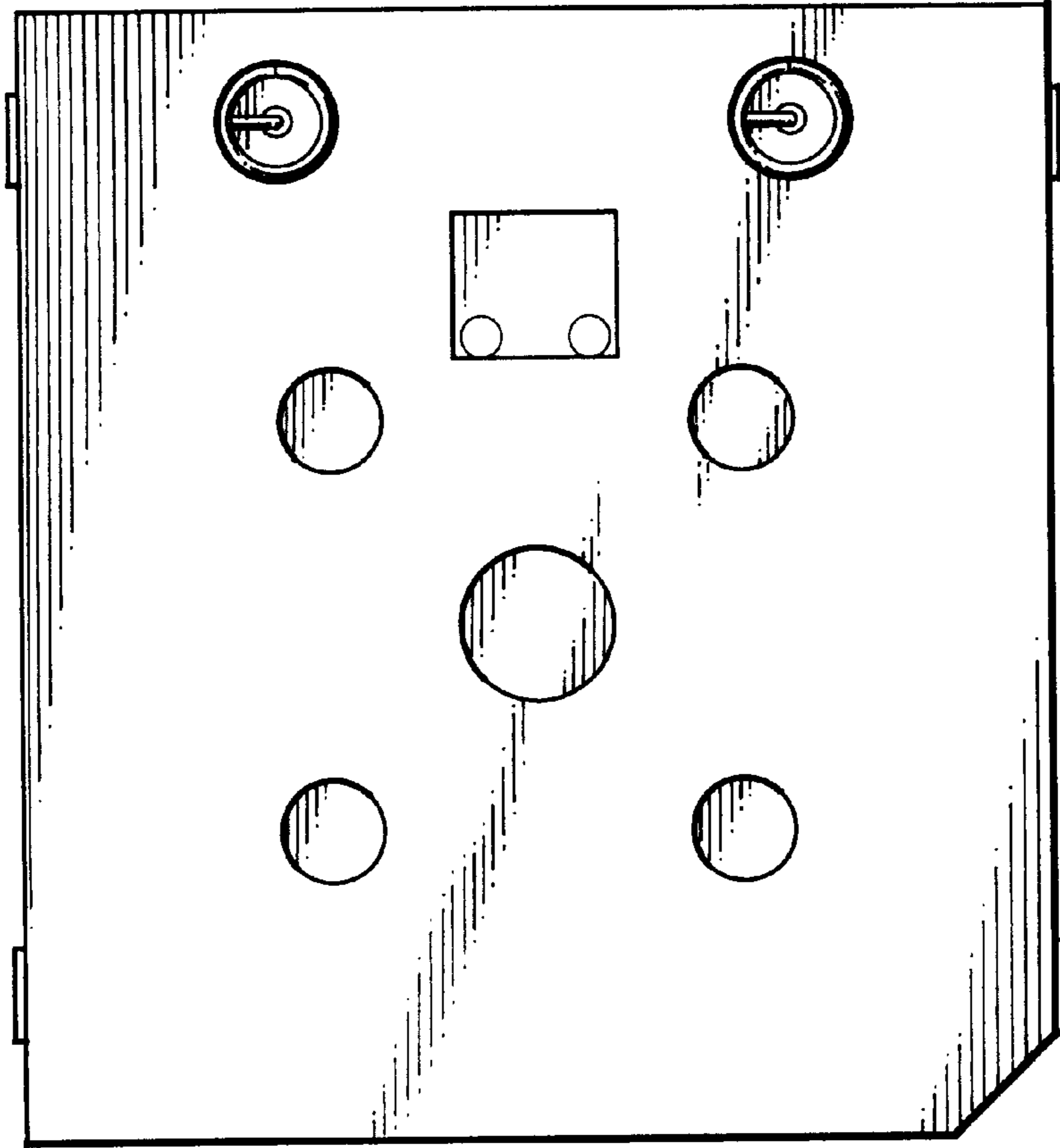


Fig . 4

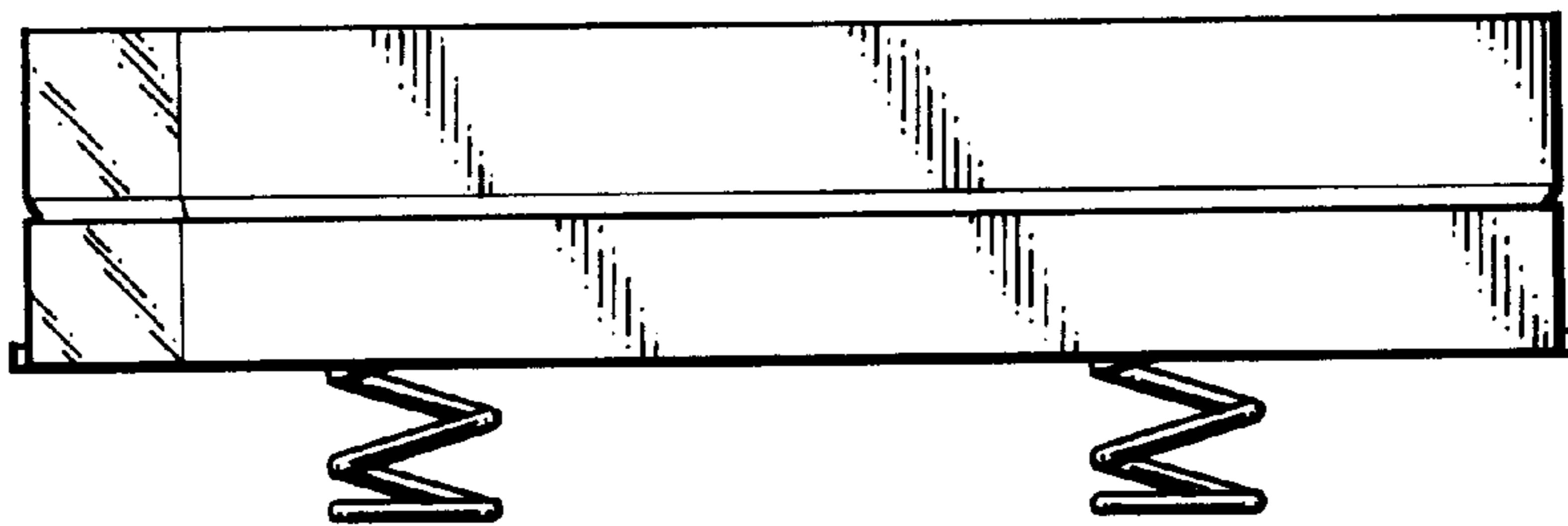


Fig . 5

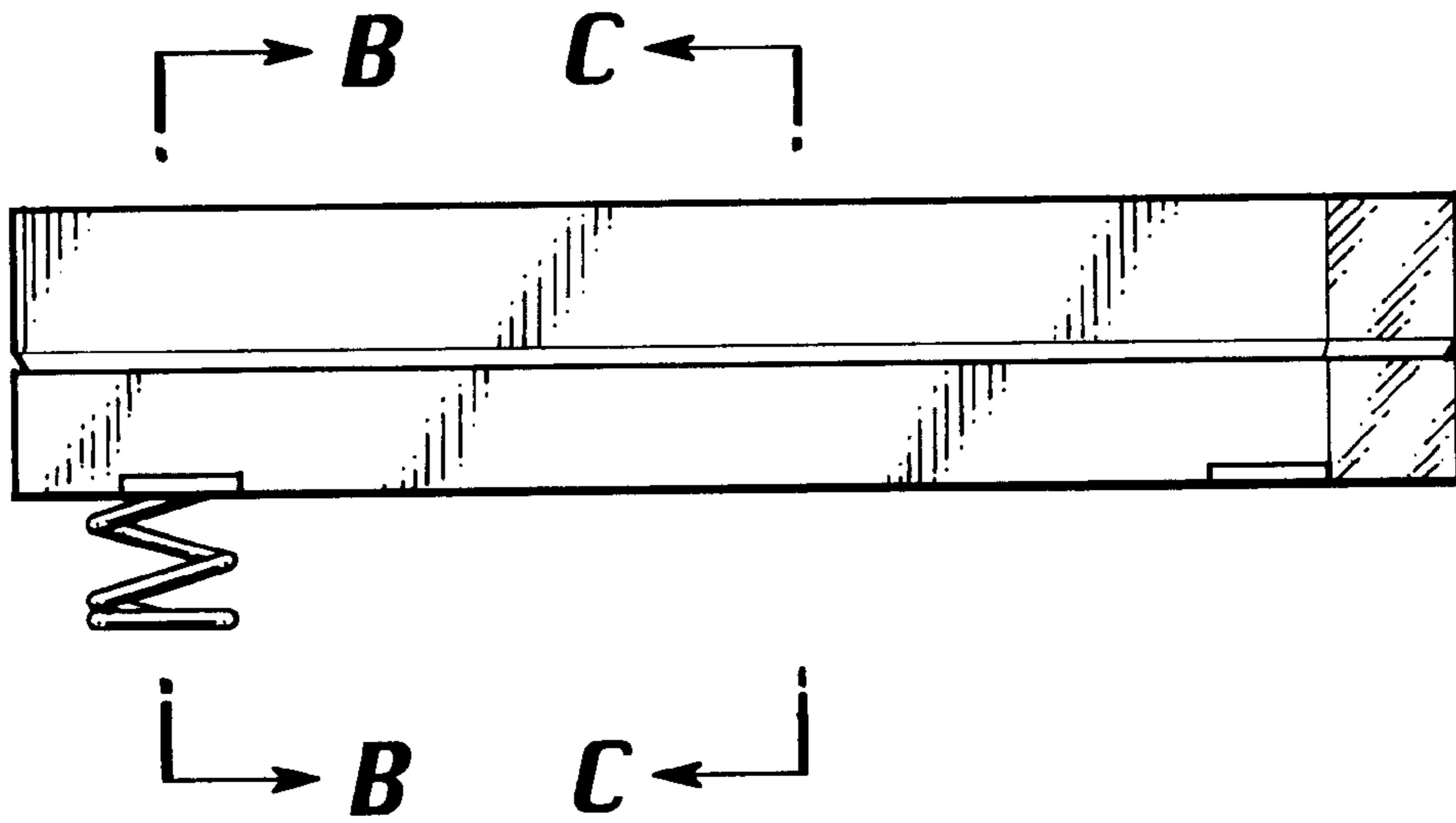


Fig . 6

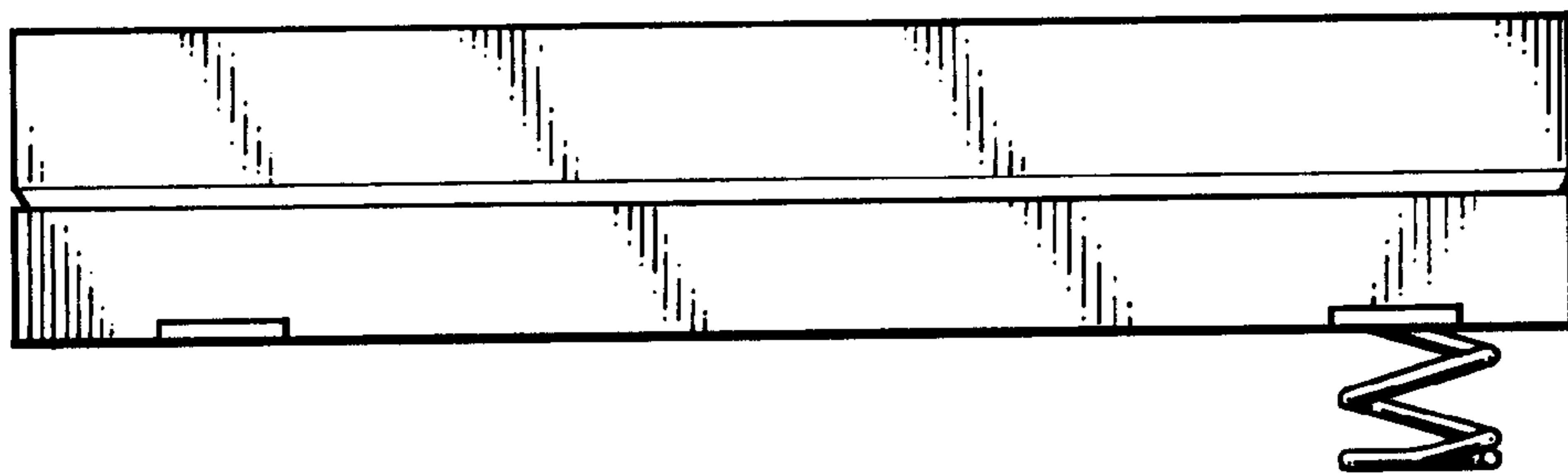


Fig. 7

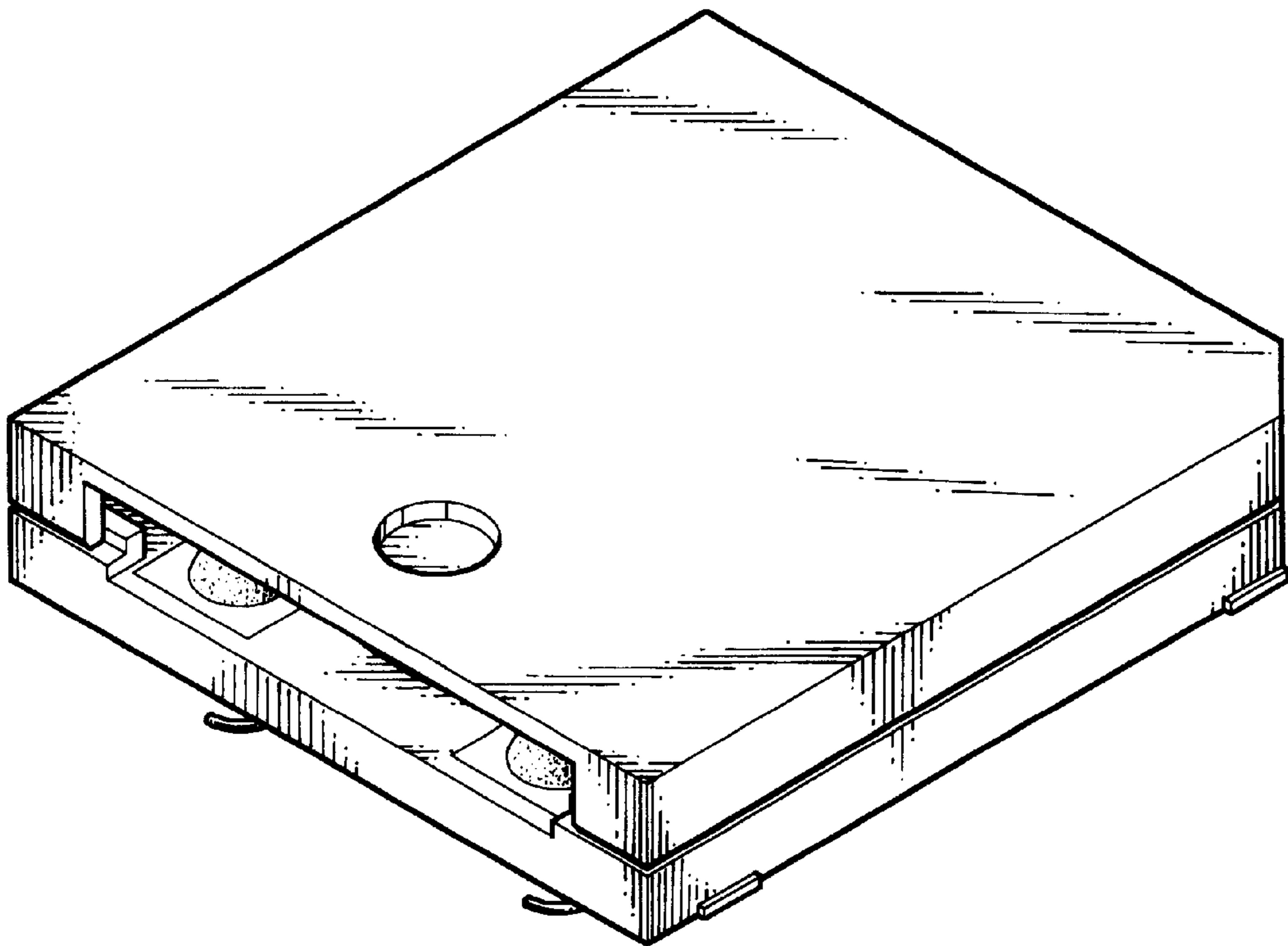


Fig. 8

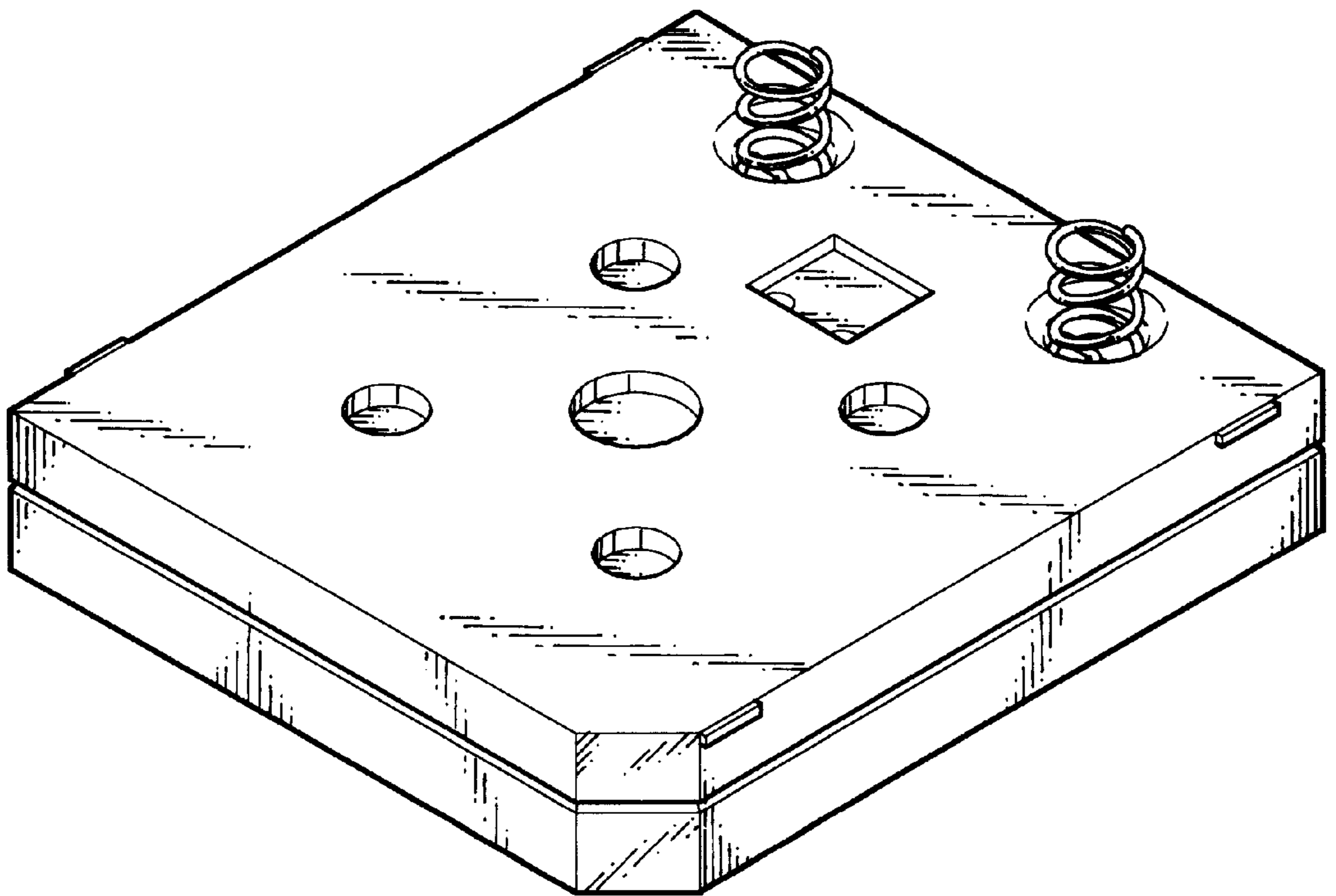


Fig. 9

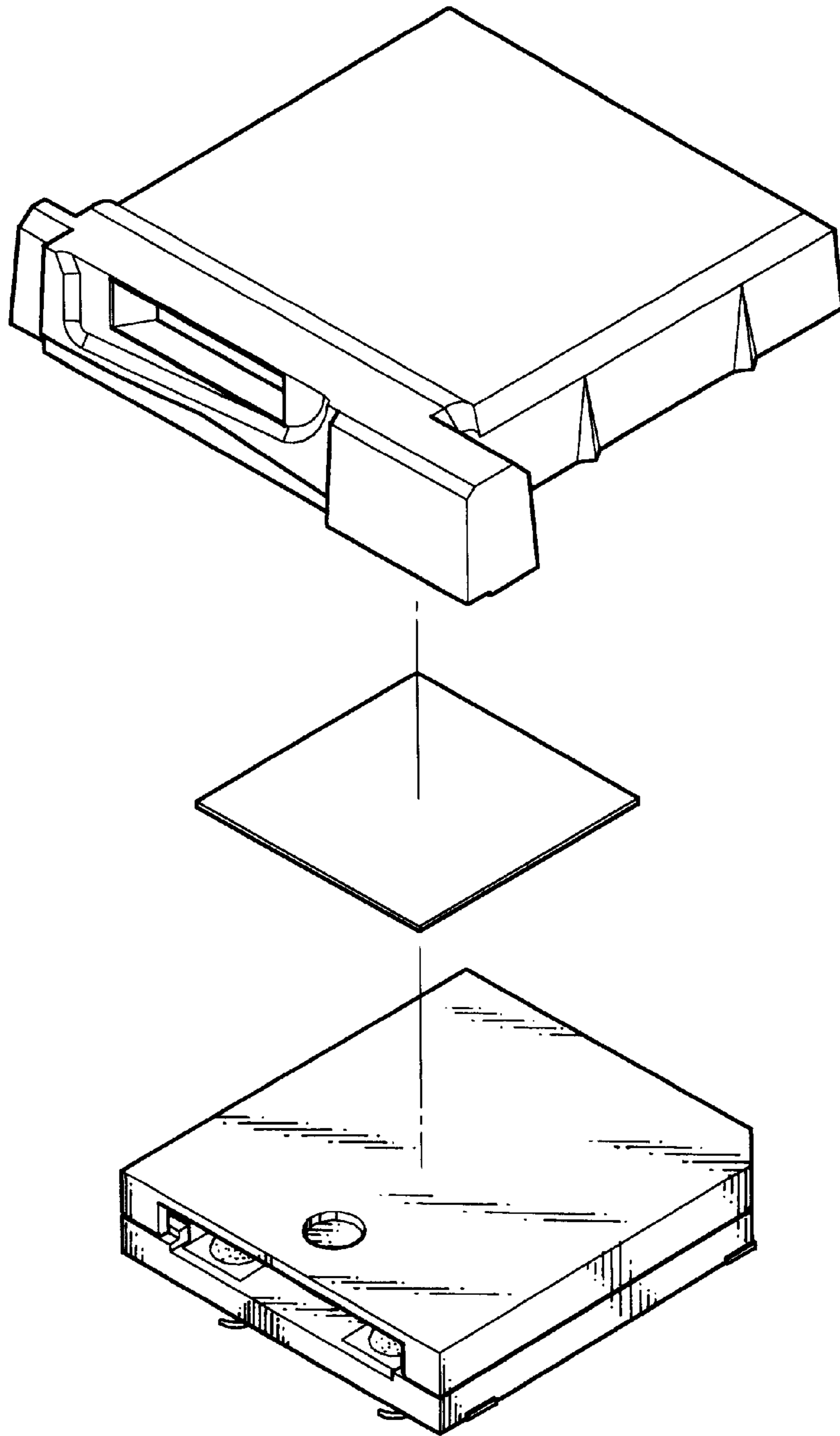


Fig. 10

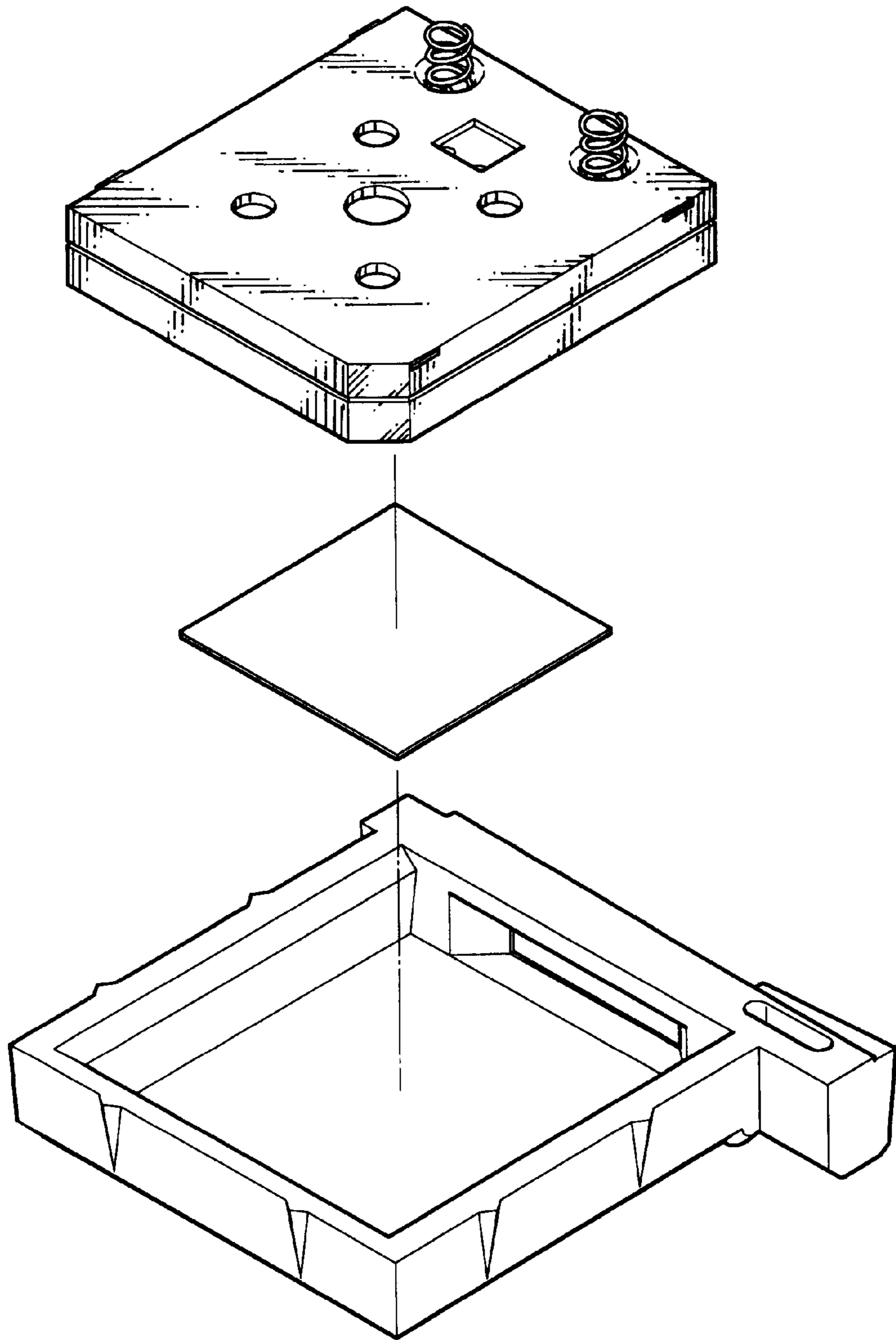


Fig. 11

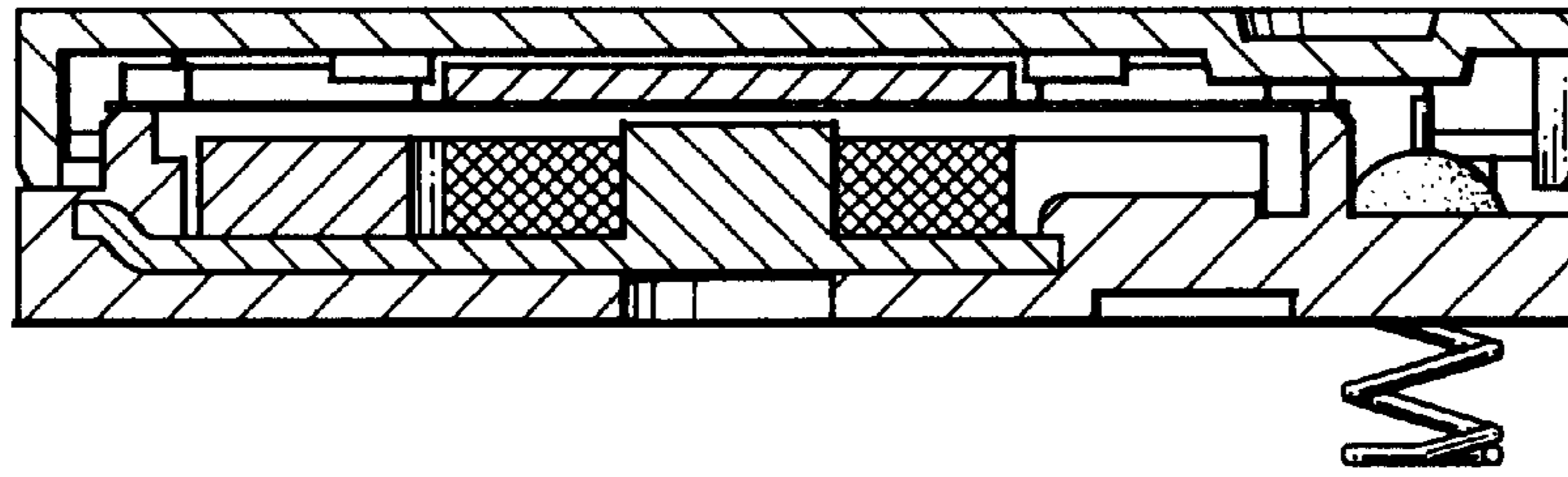


Fig. 12

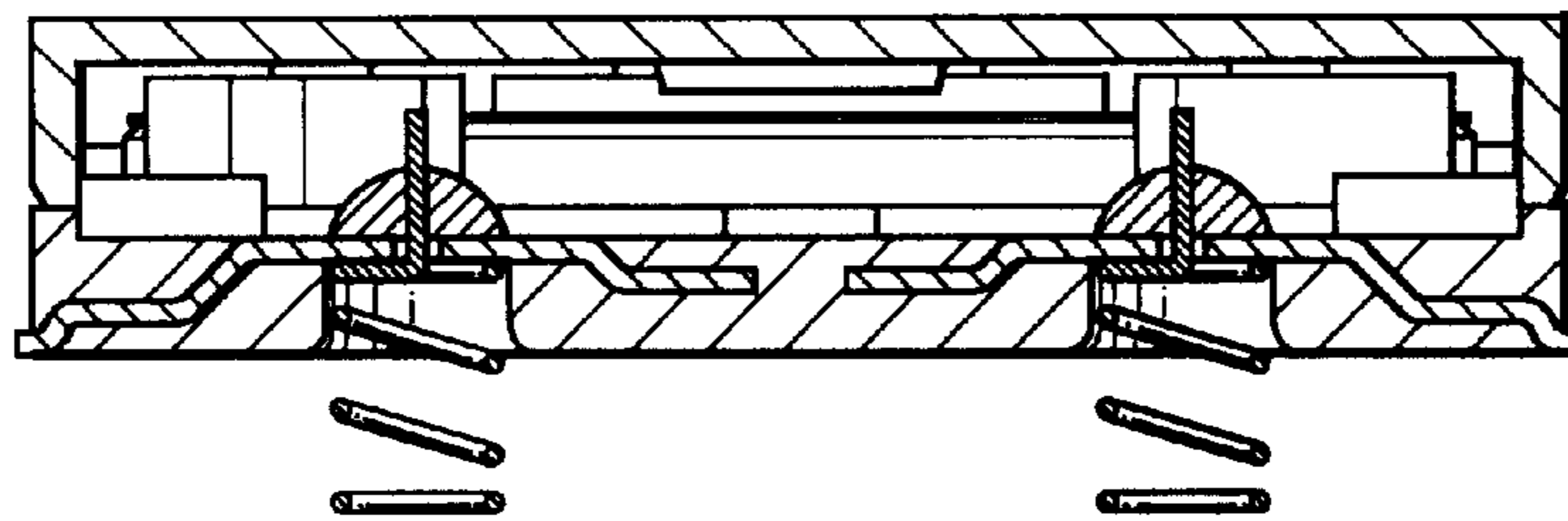


Fig. 13

