



US00D440171S

(12) **United States Design Patent**
Berger-North et al.

(10) **Patent No.:** **US D440,171 S**

(45) **Date of Patent:** **** Apr. 10, 2001**

(54) **HYDROGRAPHIC BUOY**

OTHER PUBLICATIONS

(75) Inventors: **Kent Berger-North**, Victoria; **James Mattock**, Sidney; **Reo Phillips**, Victoria, all of (CA)

Product Brochure for Smart-800 buoy manufactured by Seatex AS of Norway.
Author unknown, publication at least as early as Mar. 1996.

(73) Assignee: **AXYS Technologies, Inc.**, Sidney (CA)

* cited by examiner

(**) Term: **14 Years**

Primary Examiner—Marcus A. Jackson

(21) Appl. No.: **29/111,029**

(74) *Attorney, Agent, or Firm*—Kolisich Hartwell Dickinson McCormack & Heuser

(22) Filed: **Sep. 16, 1999**

(57) **CLAIM**

(51) **LOC (7) Cl.** **10-05**

The ornamental design for hydrographic buoy, as shown.

(52) **U.S. Cl.** **D10/107**

DESCRIPTION

(58) **Field of Search** D10/104, 107,
D10/109, 121; 441/1-34

FIG. 1 is a front perspective view of a hydrographic buoy showing the new design;

FIG. 2 is a top plan view thereof;

FIG. 3 is a front elevational view thereof;

FIG. 4 is a bottom plan view thereof;

FIG. 5 is a lefthand side elevational view thereof;

FIG. 6 is a rear elevational view thereof; and,

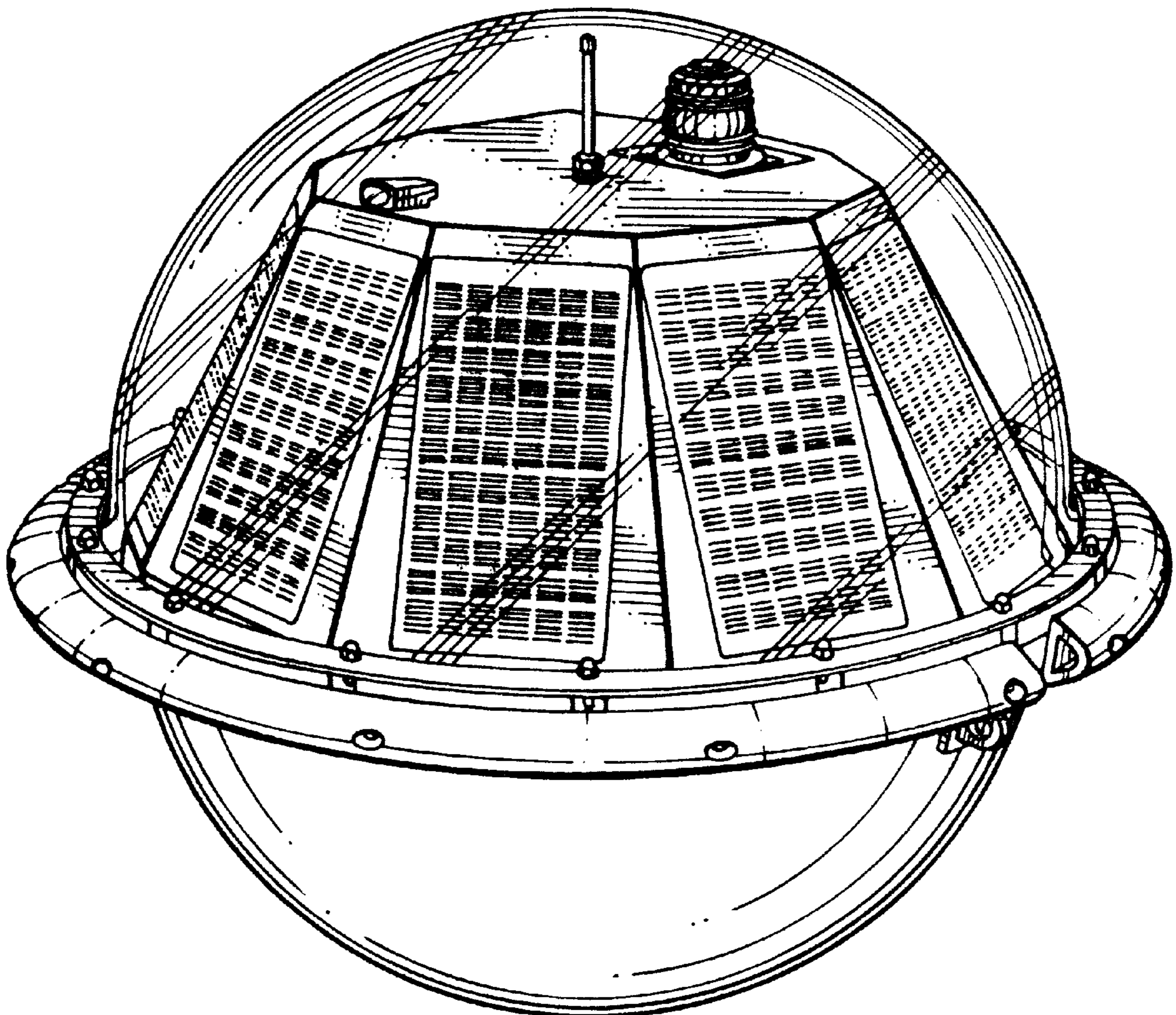
FIG. 7 is a righthand side elevational view thereof.

(56) **References Cited**

U.S. PATENT DOCUMENTS

D. 248,840	*	8/1978	Aesch, Sr. et al.	D10/107
D. 310,180	*	8/1990	Etkin	D10/107
D. 363,445	*	10/1995	Warner et al.	D10/107
4,809,458		3/1989	Tanikuro et al. .	

1 Claim, 4 Drawing Sheets



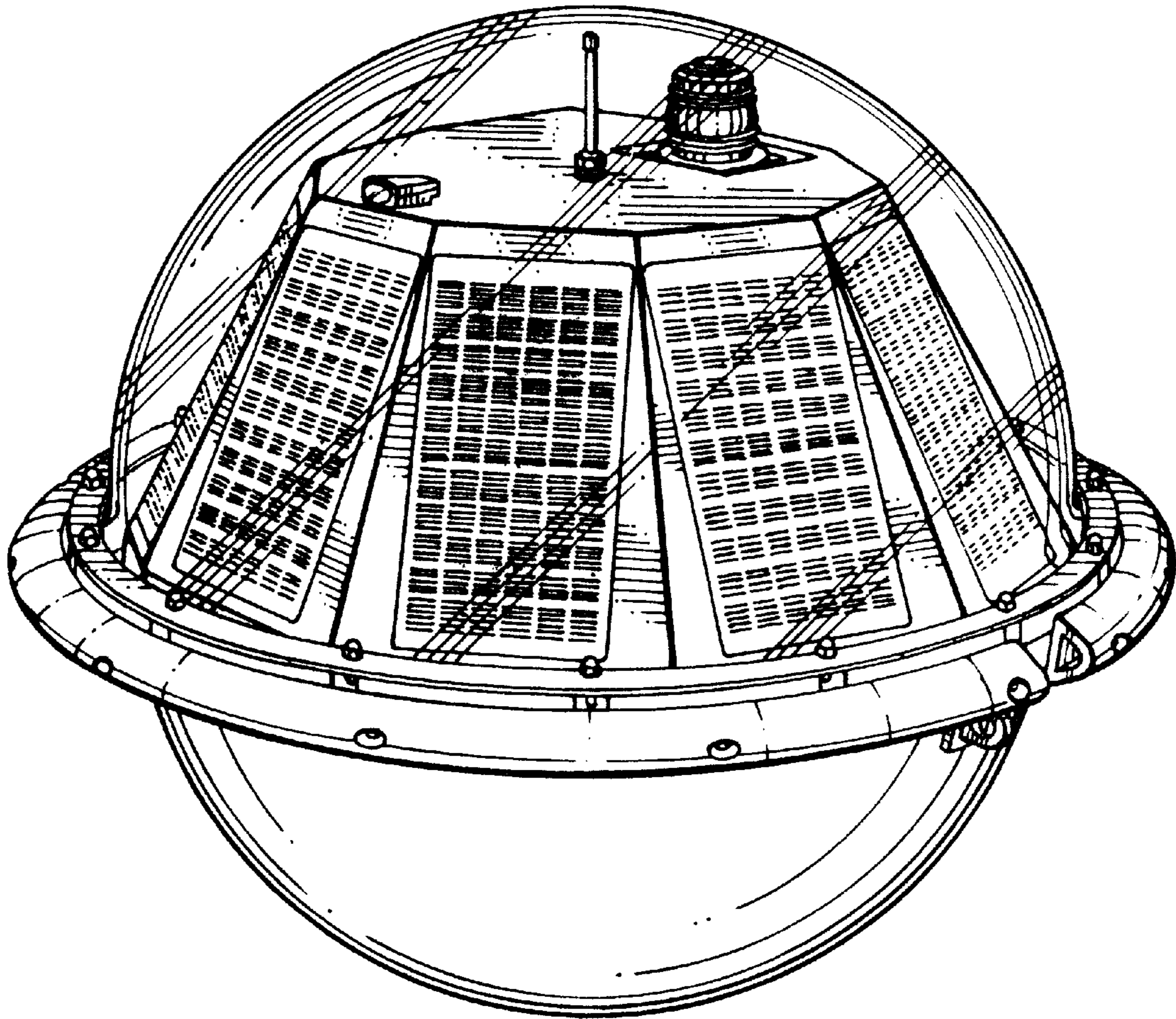


FIG. 1

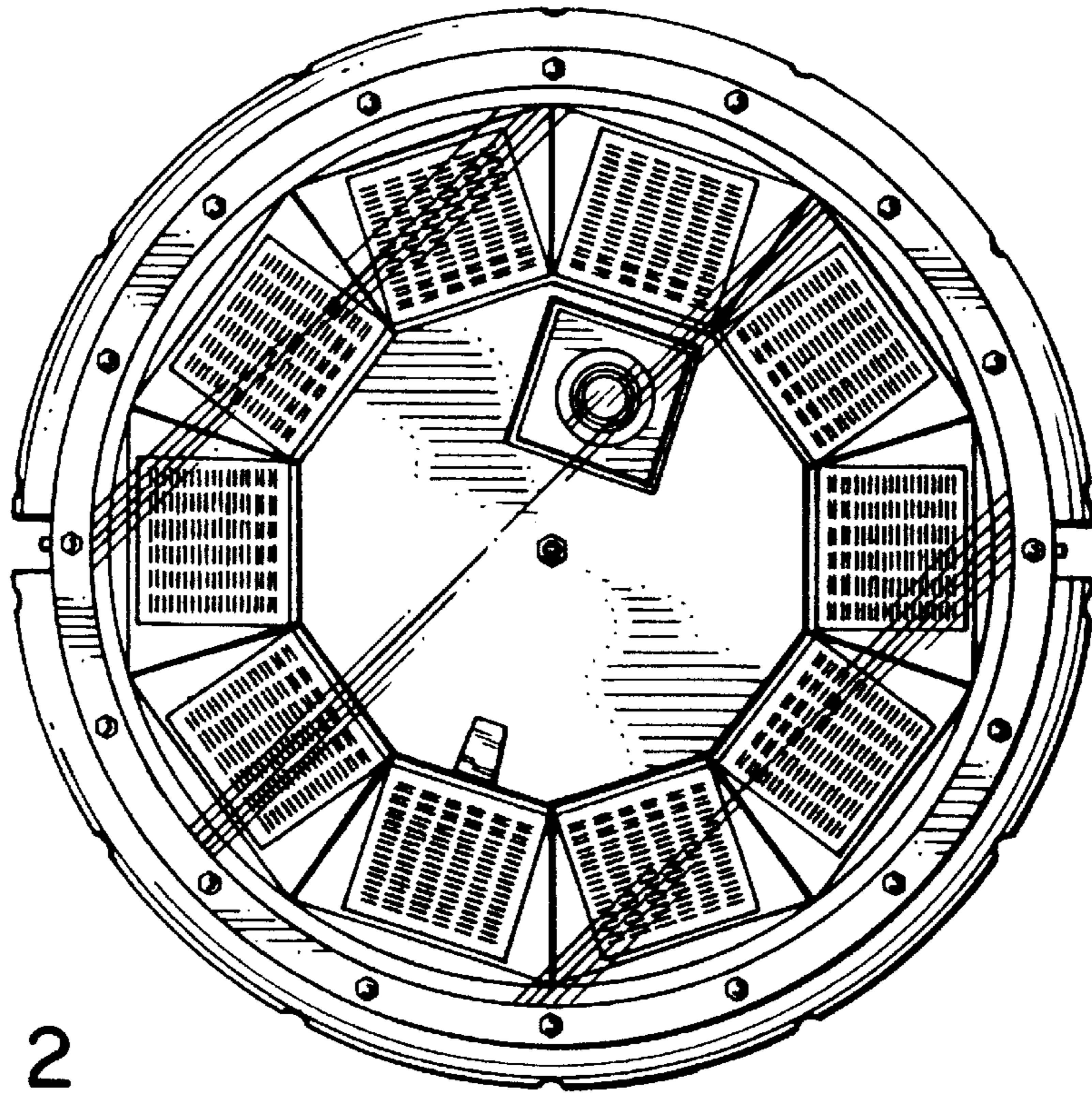


FIG. 2

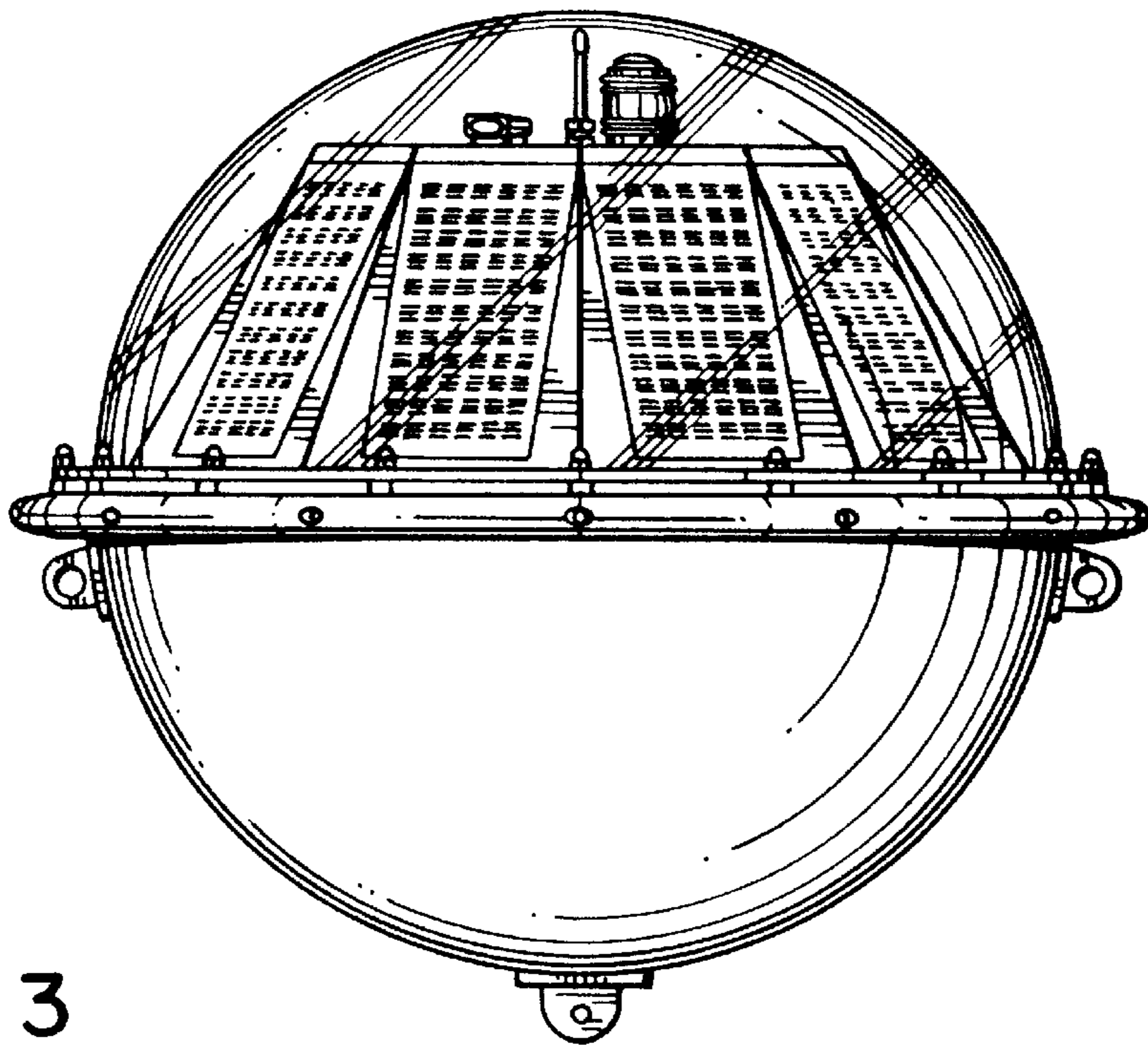


FIG. 3

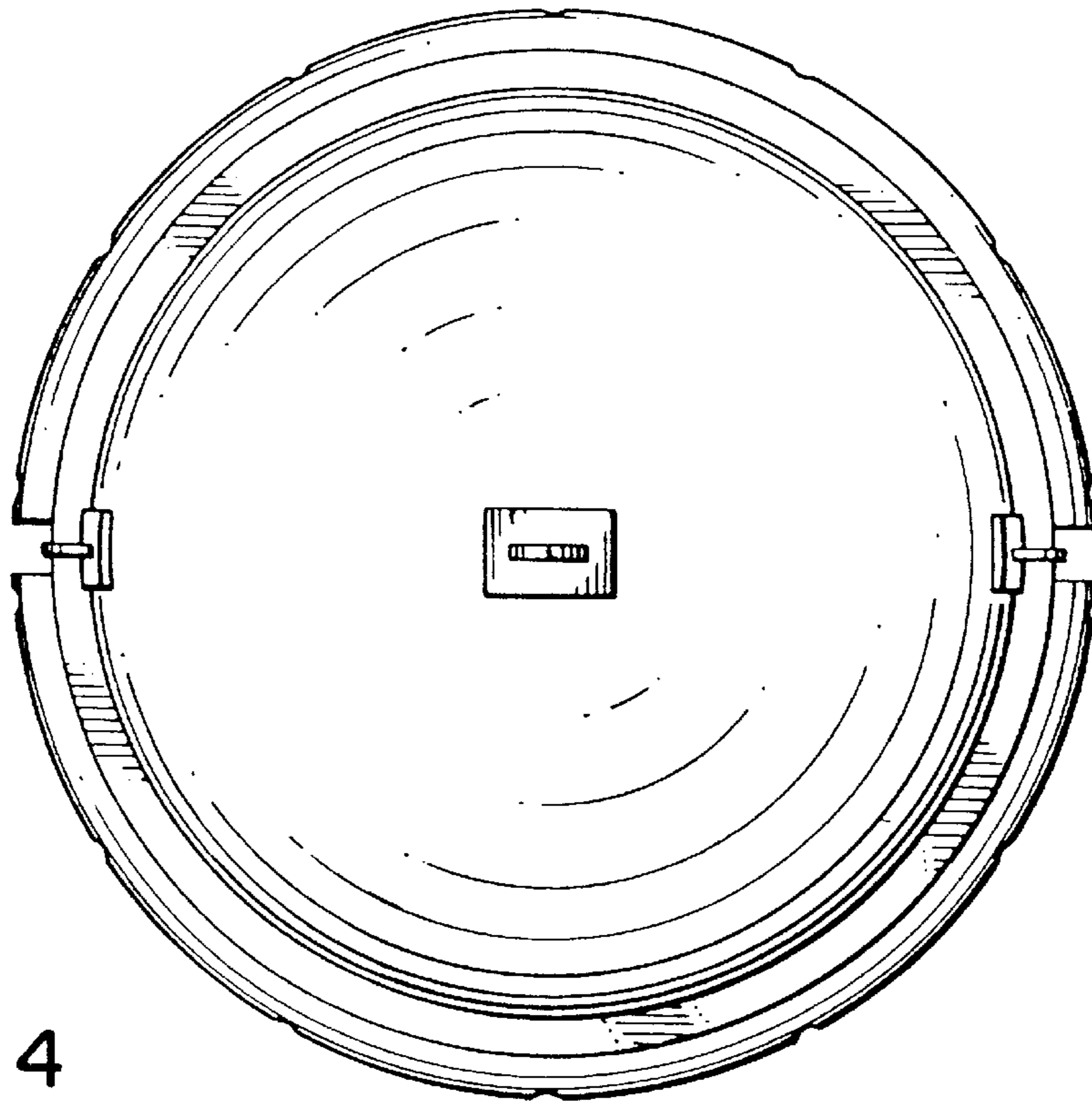


FIG. 4

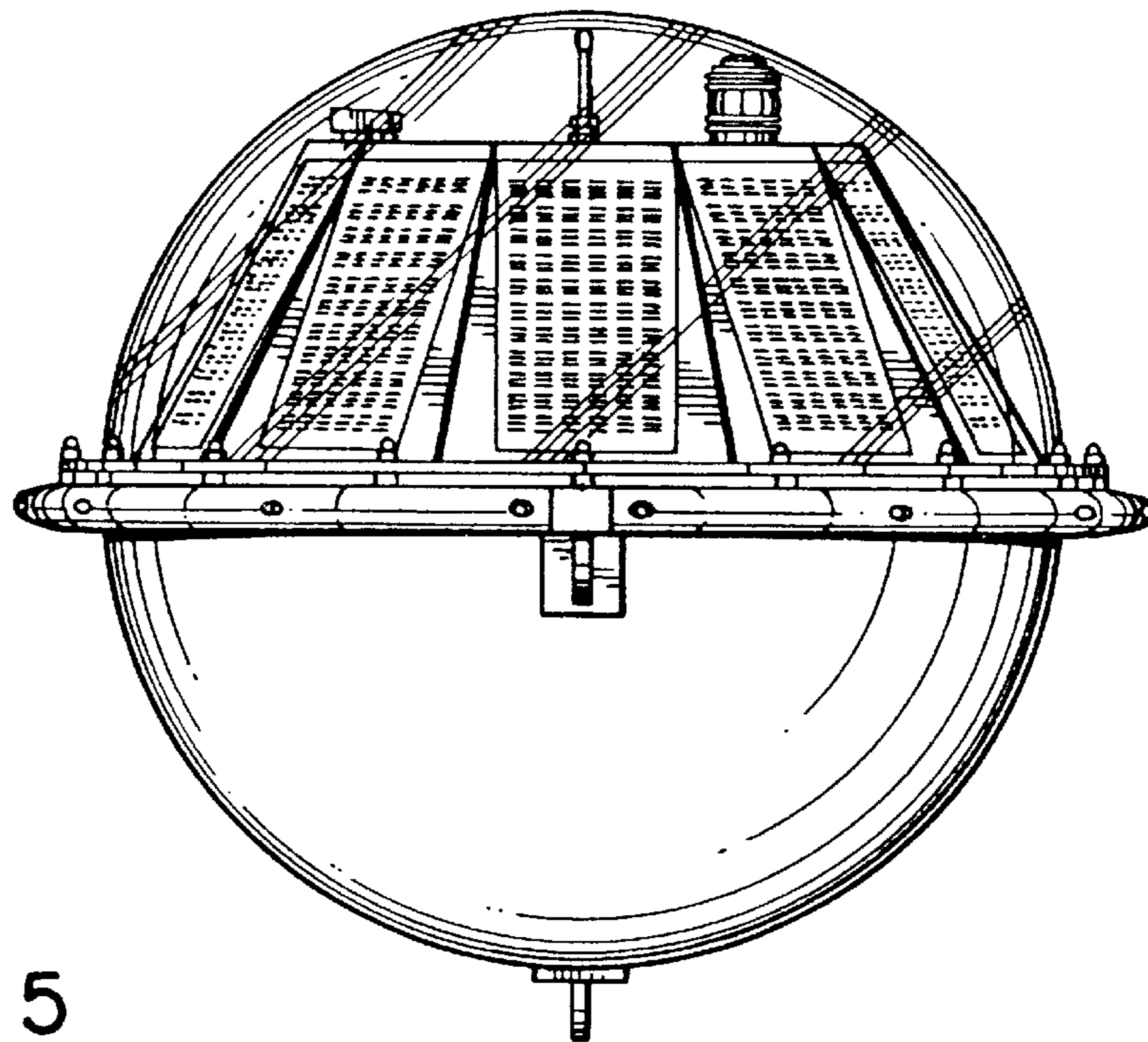


FIG. 5

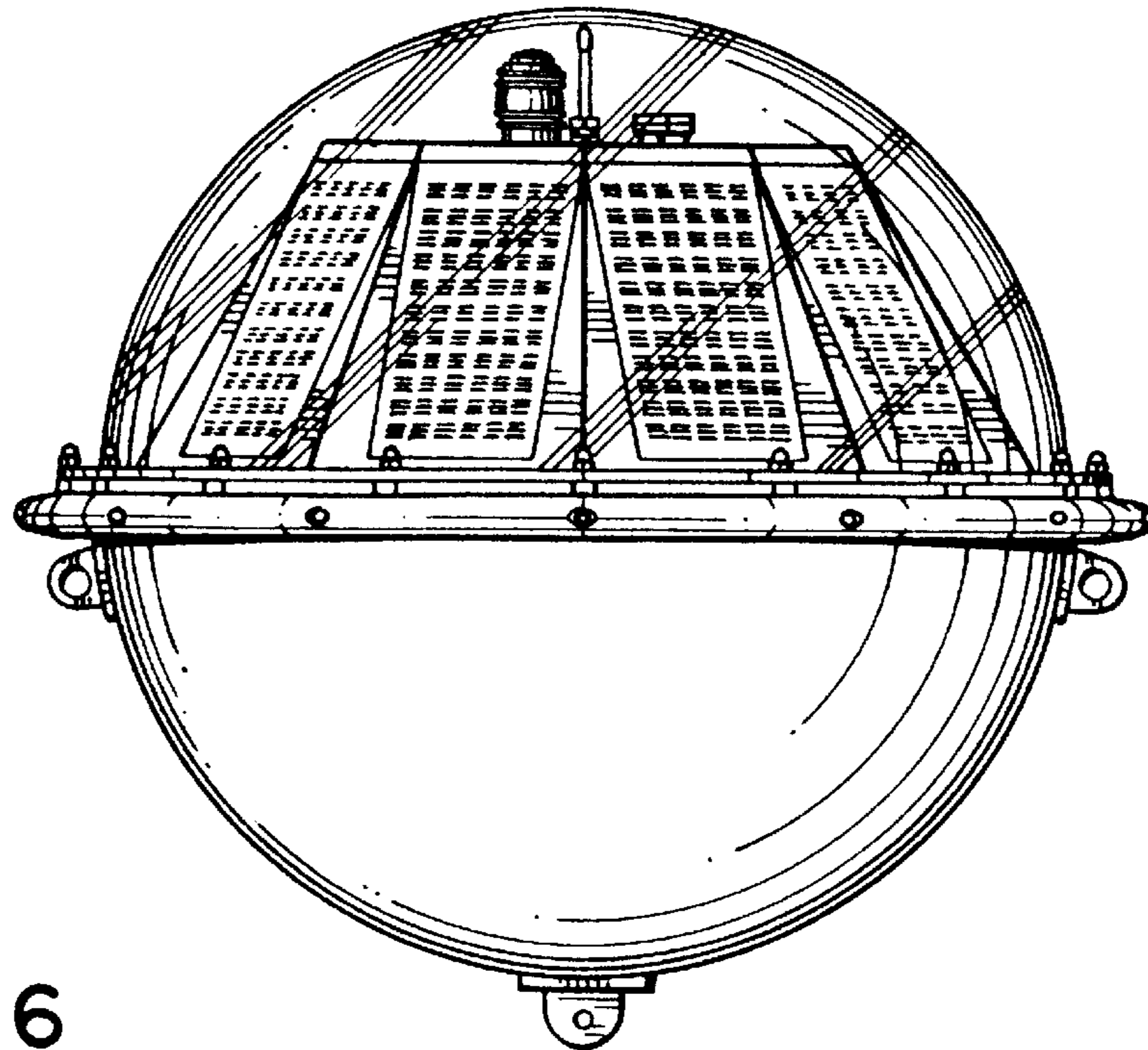


FIG. 6

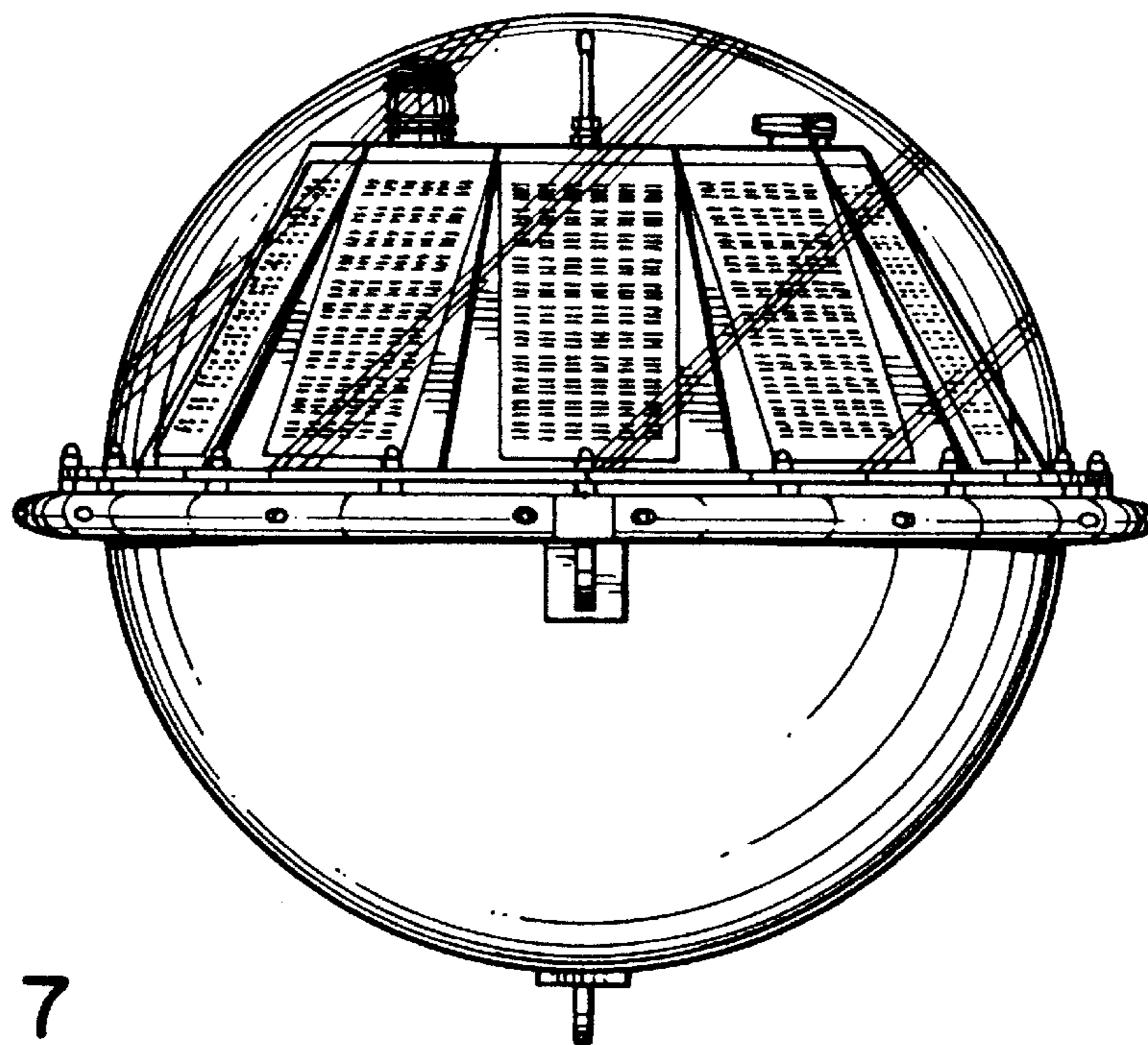


FIG. 7