



US00D440168S

(12) **United States Design Patent**  
**Lister et al.**

(10) **Patent No.: US D440,168 S**

(45) **Date of Patent: \*\* \*Apr. 10, 2001**

(54) **STRAIGHT TUBE CORIOLIS FLOWMETER HOUSING**

(75) Inventors: **Ernest Dale Lister**, Westminster;  
**Michael Leon Overfelt**, Longmont;  
**Robert Barclay Garnett**, Arvada;  
**Gregory Treat Lanham**, Longmont, all  
of CO (US)

(73) Assignee: **Micro Motion Incorporated**, Boulder,  
CO (US)

(\* ) Notice: This patent is subject to a terminal dis-  
claimer.

(\*\* ) Term: **14 Years**

(21) Appl. No.: **29/107,293**

(22) Filed: **Jun. 30, 1999**

(51) **LOC (7) Cl.** ..... **10-04**

(52) **U.S. Cl.** ..... **D10/96**

(58) **Field of Search** ..... D10/96; 73/861.355,  
73/861.357

(56) **References Cited**

**U.S. PATENT DOCUMENTS**

5,827,979 \* 10/1998 Schott et al. .... 73/861.357  
5,854,430 \* 12/1998 Drahm et al. .... 73/861.357  
5,945,609 \* 8/1999 Kashimura et al. .... 73/861.357

\* cited by examiner

*Primary Examiner*—Antoine Duval Davis

(74) *Attorney, Agent, or Firm*—Duft, Graziano & Forest,  
P.C.

(57) **CLAIM**

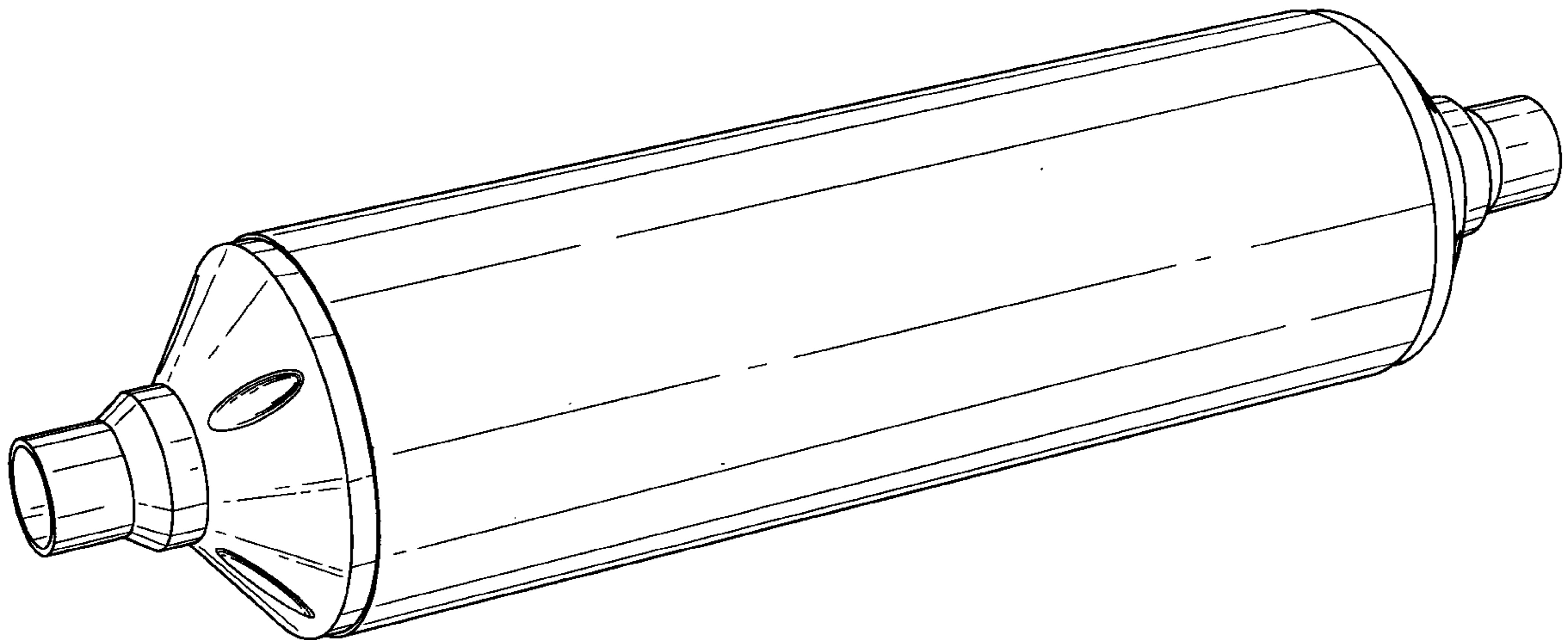
The ornamental design for a straight tube coriolis flowmeter  
housing, as shown and described.

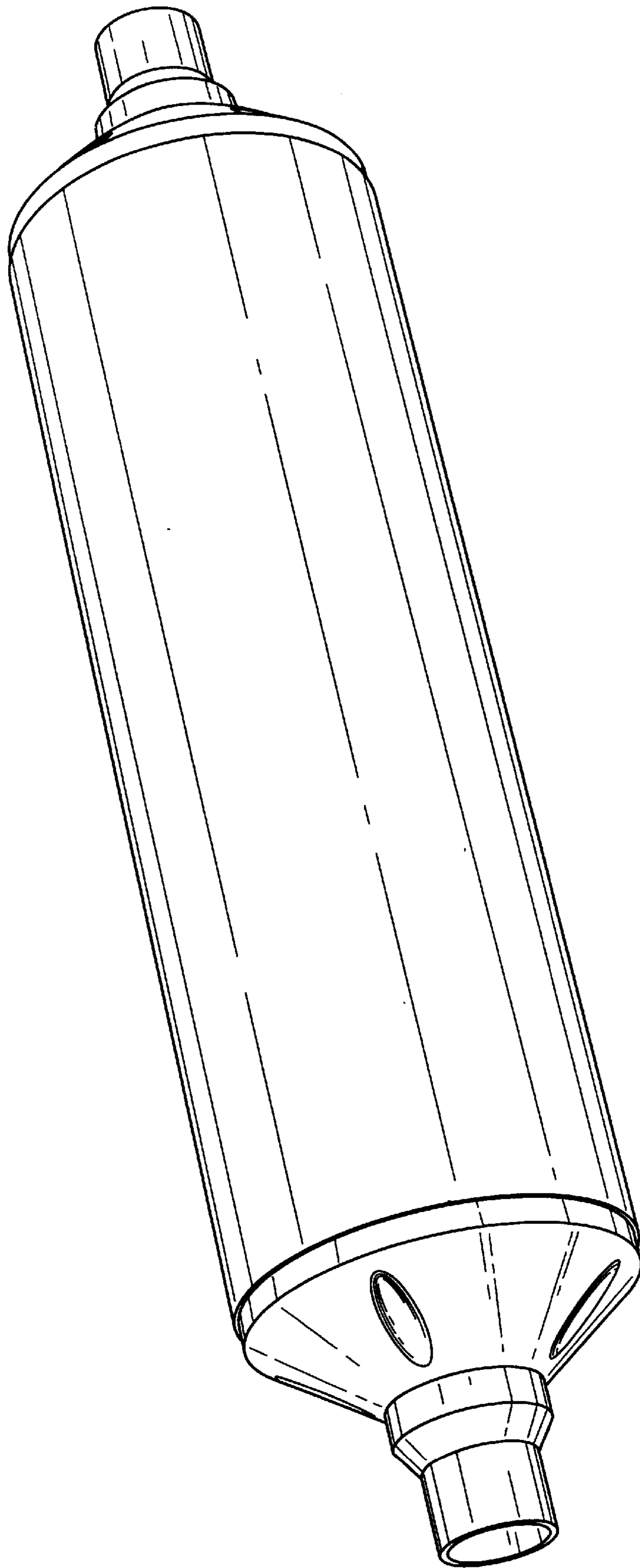
**DESCRIPTION**

FIG. 1 is a side perspective view of a casing showing a front  
end;

FIG. 2 is a side view of the casing shown in FIG. 1; and,  
FIG. 3 is a front end view the casing of FIG. 1.

**1 Claim, 2 Drawing Sheets**





**FIG. 1**

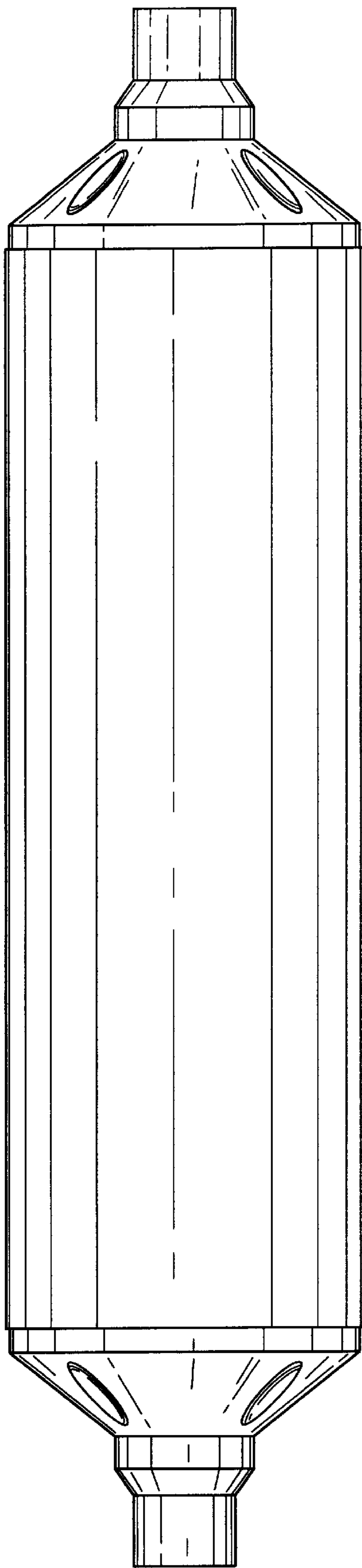


FIG. 2

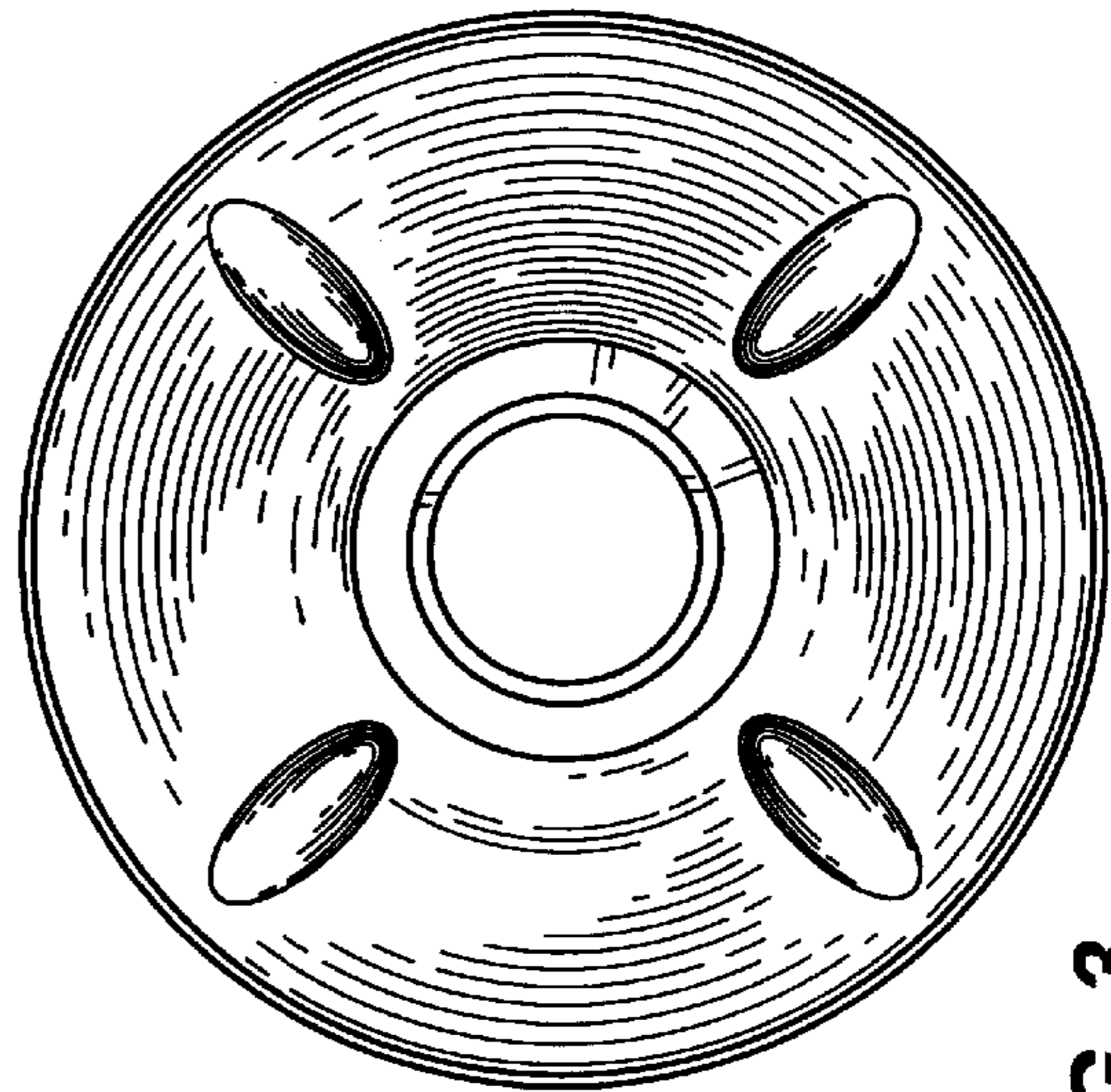


FIG. 3