



US00D440157S

(12) **United States Design Patent**
Lichtman et al.

(10) **Patent No.:** **US D440,157 S**

(45) **Date of Patent:** **** Apr. 10, 2001**

(54) **BOTTLE**

(75) Inventors: **Jeff Lichtman**, Evanston; **Dean Lindsay**, Winnetka; **Jason Martin**, Chicago, all of IL (US)

(73) Assignee: **Stokely-Van Camp, Inc.**, Chicago, IL (US)

(**) Term: **14 Years**

(21) Appl. No.: **29/102,586**

(22) Filed: **Mar. 26, 1999**

(51) **LOC (7) Cl.** **09-01**

(52) **U.S. Cl.** **D9/539; D9/551; D9/554**

(58) **Field of Search** D9/539, 540, 541, D9/538, 307, 554, 551, 553; 215/381, 382, 383, 384, 370-373

(56) **References Cited**

U.S. PATENT DOCUMENTS

D. 64,152	3/1924	Sweeney .	
D. 139,378	* 11/1944	Coleman	D9/554
D. 149,394	4/1948	Allen	D58/8
D. 154,563	7/1949	Peters	D58/8
D. 159,616	8/1950	Hoffman	D58/8
D. 166,542	4/1952	Kunett	D58/6
D. 182,540	* 4/1958	Soubier	D9/539
D. 183,040	6/1958	Du Pree	D58/8
D. 195,371	6/1963	Henry	D58/8
D. 203,707	2/1966	Piergallini	D58/8
D. 208,504	9/1967	Trombley	D58/8
D. 217,805	6/1970	Douglas	D9/117
D. 218,019	7/1970	Lattraye	D9/73
D. 220,792	* 5/1971	Benson	D9/307
D. 231,083	4/1974	Campbell	D9/44
D. 240,593	7/1976	Koenigsberg	D9/116
D. 241,713	10/1976	Plummer	D9/100
D. 269,500	6/1983	Bit	D9/350
D. 293,890	1/1988	Rogler	D9/390
D. 294,117	2/1988	Rogler et al.	D9/390
D. 294,462	3/1988	Ota et al.	D9/392
D. 294,463	3/1988	Lang	D9/392
D. 294,678	3/1988	Papa	D9/392

D. 295,381	4/1988	Papa	D9/392
D. 306,262	2/1990	Bit	D9/396
D. 315,869	4/1991	Collette	D9/392
D. 321,830	11/1991	York et al.	D9/434
D. 335,084	4/1993	Snyder	D9/502

(List continued on next page.)

FOREIGN PATENT DOCUMENTS

5553	2/1993	(PH) .
901002	11/1990	(ZA) .
910333	4/1991	(ZA) .

OTHER PUBLICATIONS

Photograph of "Isostar" bottle, Mar. 3, 1998.*
Aug. 1998, Pictures of Bottles (Exhibit A).
Apr. 1998, Pictures of Bottle (Exhibit B).
Jul. 1999, Pictures of Bottle (Exhibit C).
Sep. 1998, Pictures of Bottle (Exhibit D).

Primary Examiner—Lucy Lieberman
Assistant Examiner—Carol Rademaker
(74) *Attorney, Agent, or Firm*—Lars S. Johnson

(57) **CLAIM**

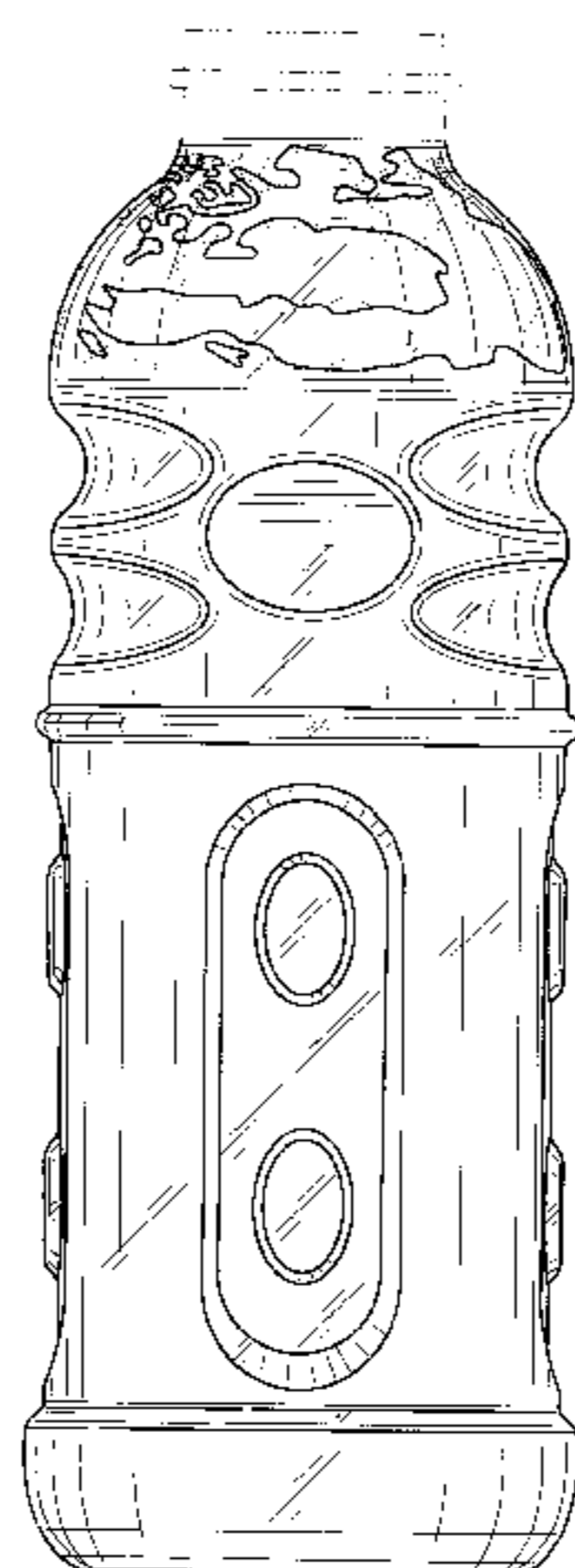
The ornamental design for a bottle, as shown and described.

DESCRIPTION

FIG. 1 is a perspective view of a bottle showing our new design;
FIG. 2 is a front elevational view of the bottle depicted in FIG. 1, the opposite rear elevational view being identical;
FIG. 3 is a side elevational view of the bottle depicted in FIG. 2, representing a partial rotation of the bottle about its vertical center axis from the front elevational view depicted in FIG. 2, the opposite side elevational view being identical;
FIG. 4 is a top plan view of the bottle depicted in FIG. 2; and,
FIG. 5 is a bottom plan view of the bottle depicted in FIG. 2.

The broken line environmental showing is for illustrative purposes only and does not form part of the claimed design.

1 Claim, 2 Drawing Sheets



US D440,157 S

Page 2

U.S. PATENT DOCUMENTS

D. 344,457	2/1994	Prevot et al.	D9/537	4,818,575	*	4/1989	Hirata et al. .	
D. 345,693	4/1994	Edstrom	D9/332	4,863,046		9/1989	Collette et al.	215/1 C
D. 348,606	7/1994	Edstrom	D9/332	4,877,141	*	10/1989	Hayashi et al. .	
D. 364,565	* 11/1995	Vaillencourt et al.	D9/551	4,907,709	*	3/1990	Abe et al. .	
D. 382,485	8/1997	Krishnakumar et al.	D9/543	5,024,341		6/1991	Dekerle	215/11.1
D. 382,799	8/1997	Darr	D9/434	5,064,081		11/1991	Hayashi et al.	215/1 C
D. 390,471	* 2/1998	Ito	D9/539	5,141,121		8/1992	Brown et al.	215/100
D. 391,160	2/1998	Lauth	D9/502	5,255,889		10/1993	Collette et al.	249/102
D. 393,802	4/1998	Collette et al.	D9/502	5,303,833		4/1994	Hayashi et al.	215/1 C
D. 395,002	* 6/1998	Monahan	D9/554	5,337,909		8/1994	Vaillencourt	215/1 C
D. 396,413	7/1998	Duboff	D9/539	5,407,086	*	4/1995	Ota et al.	215/383
D. 396,640	8/1998	Conrad et al.	D9/502	5,472,105		12/1995	Krishnakumar et al.	215/384
D. 397,297	8/1998	Yang	D9/523	5,632,397		5/1997	Fandoux et al.	215/382
D. 397,616	9/1998	Chen	D9/540	5,635,229		6/1997	Ray	426/112
D. 397,941	9/1998	Lauth	D9/502	5,735,420	*	4/1998	Nakamaki et al.	215/381
D. 398,479	9/1998	Vultaggio et al.	D7/533	5,746,339		5/1998	Petre et al.	215/383
D. 401,860	12/1998	Granelli	D9/538	5,758,790		6/1998	Ewing, Jr.	215/384
D. 404,306	1/1999	Steinke	D9/502	5,971,184	*	10/1999	Krishnakumar et al.	215/384
4,082,200	4/1978	Guest et al.	215/1 C					

* cited by examiner

FIG. 1

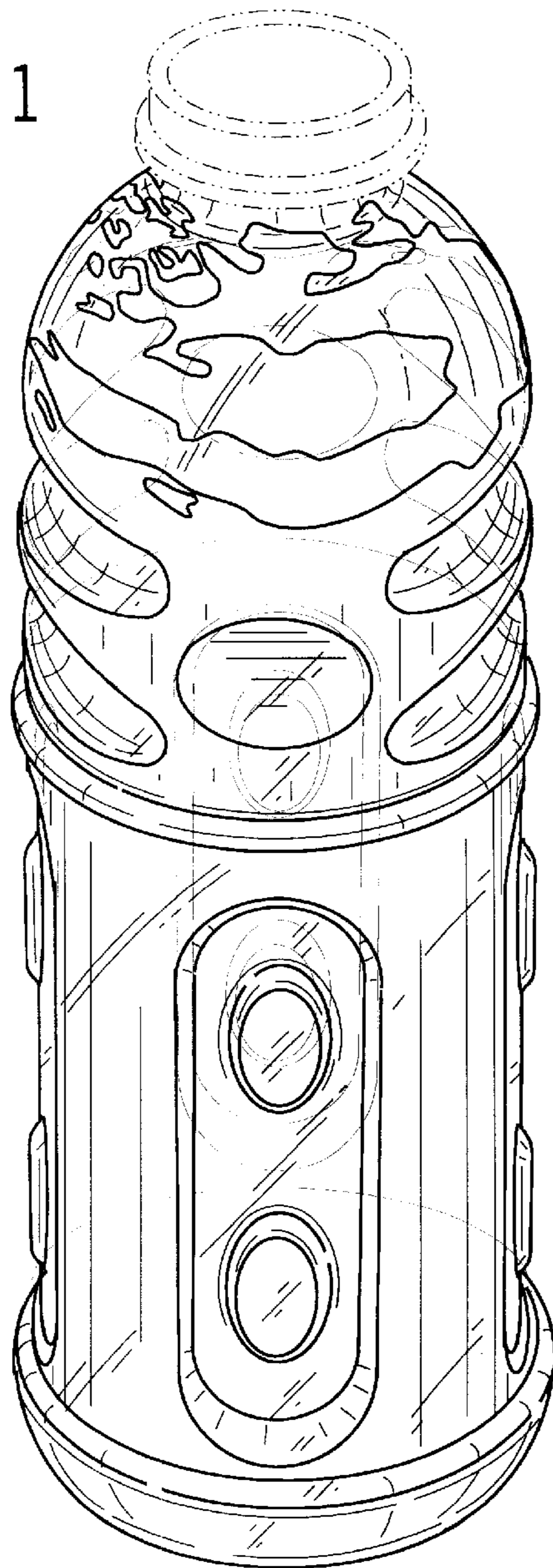


FIG. 4

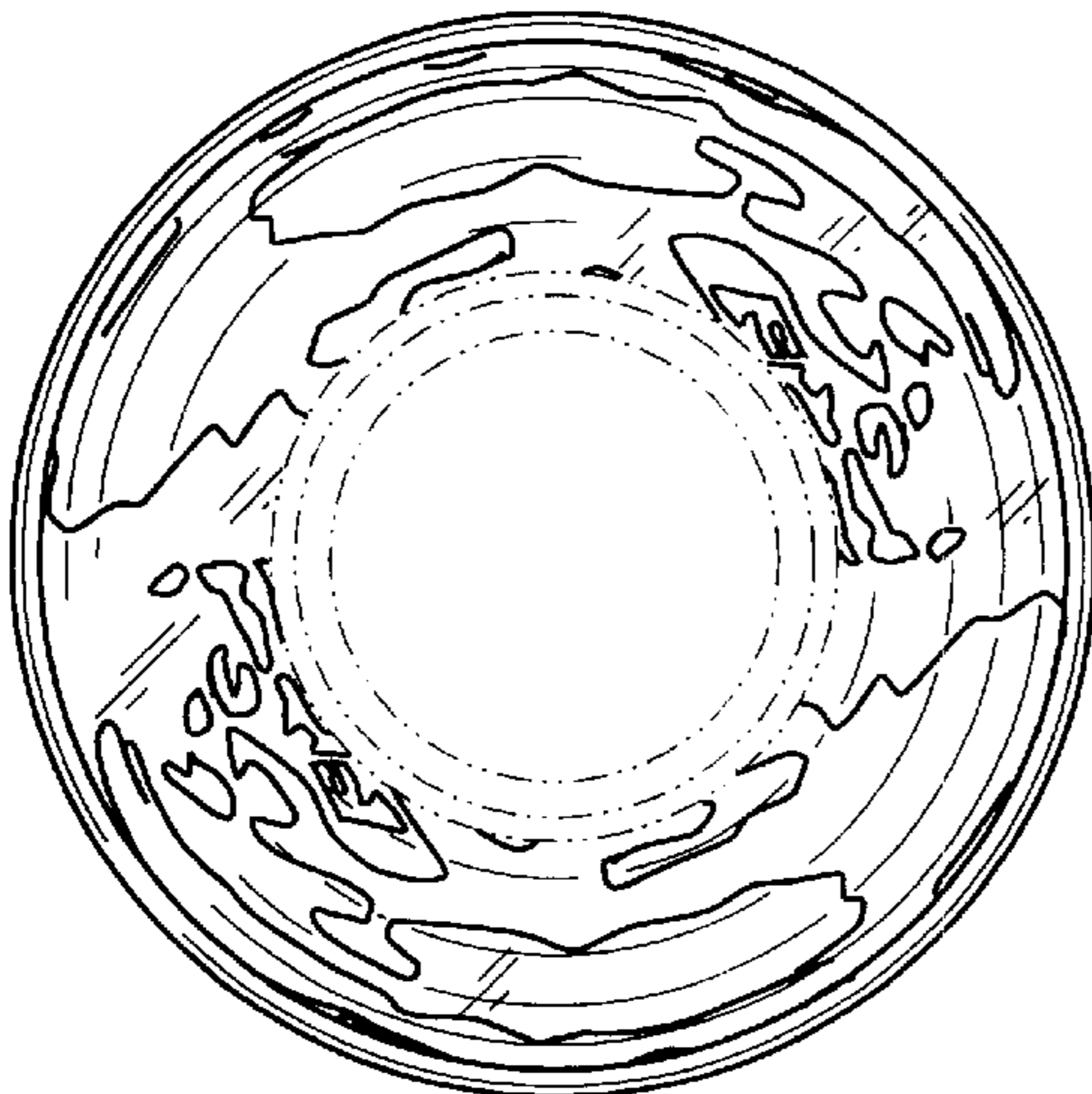


FIG. 5

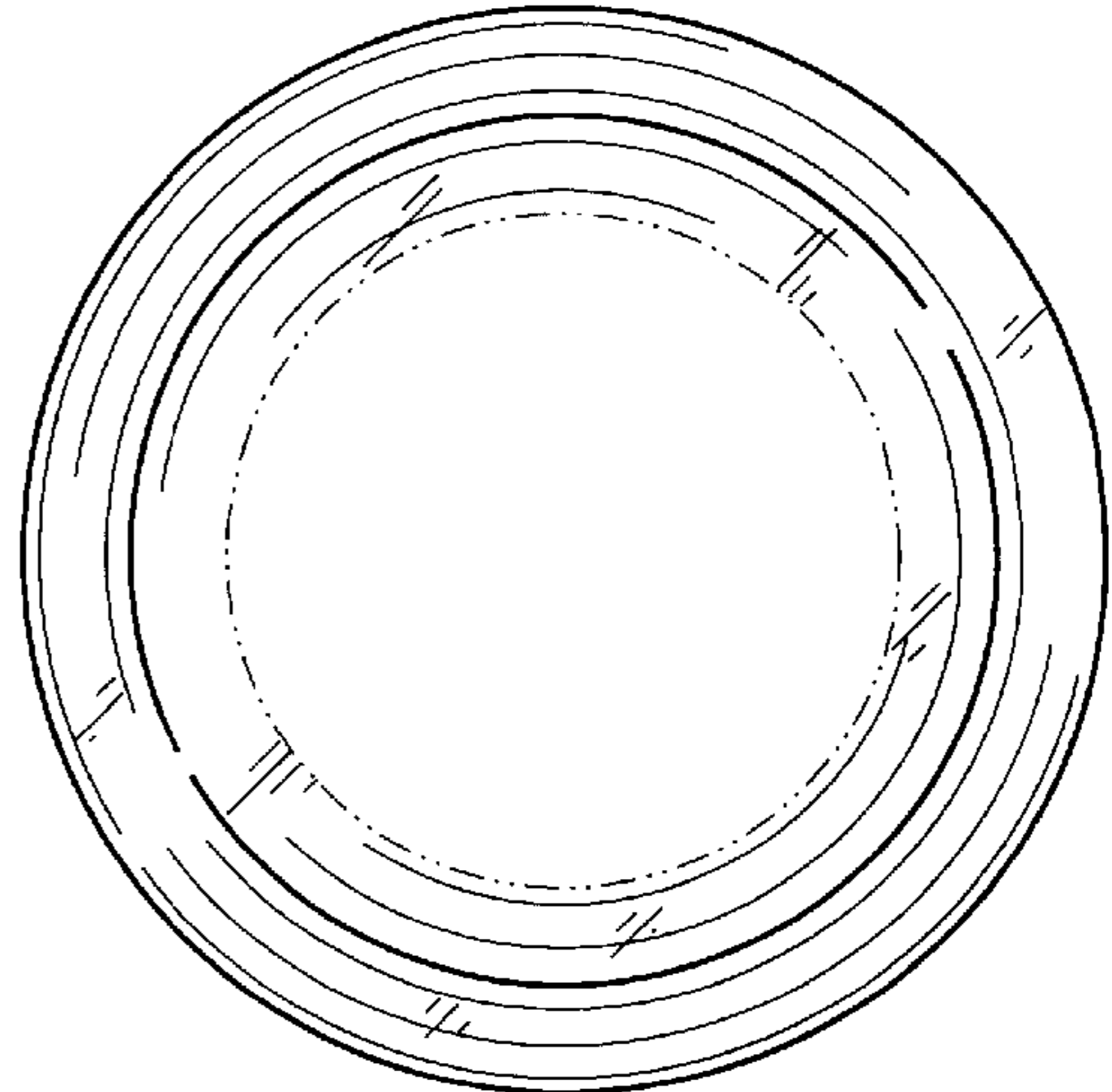


FIG. 2

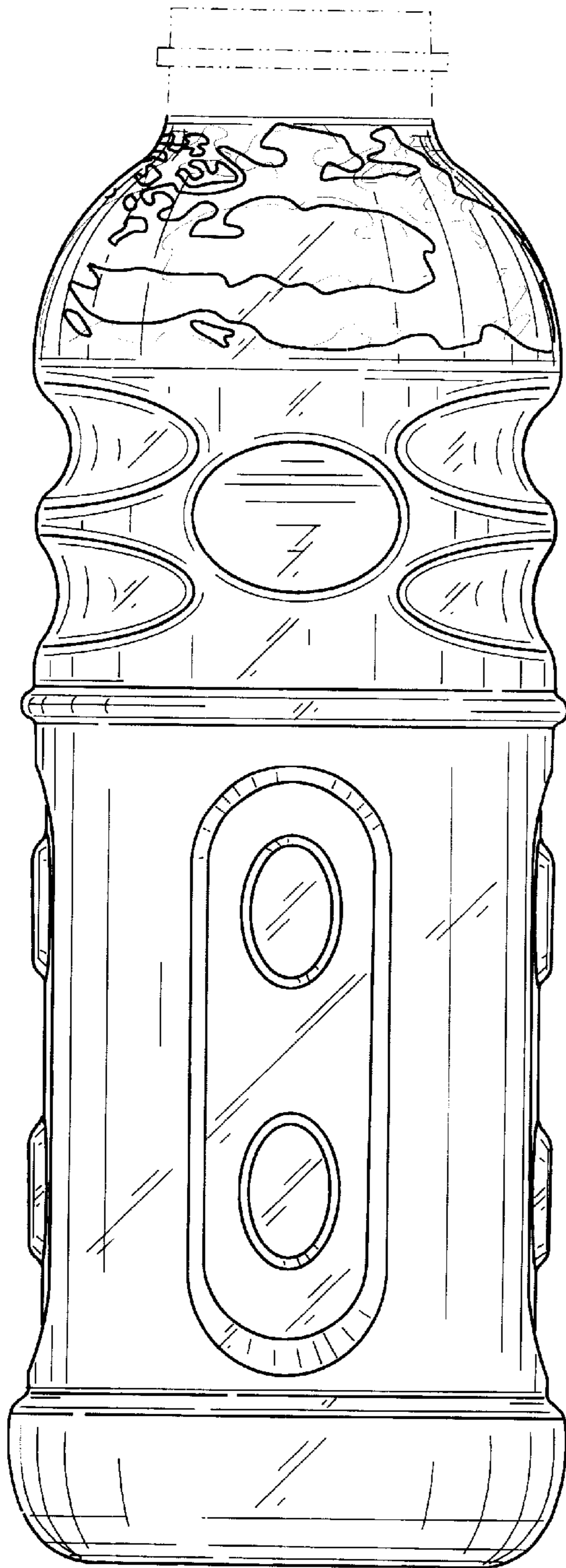


FIG. 3

