



US00D440155S

(12) **United States Design Patent**  
**Schaefer**

(10) **Patent No.:** **US D440,155 S**

(45) **Date of Patent:** **\*\* Apr. 10, 2001**

- (54) **DOMED CONTAINER LID**
- (75) Inventor: **Robert J. Schaefer**, Baltimore, MD (US)
- (73) Assignee: **Sweetheart Cup Company, Inc.**, Owings Mills, MD (US)
- (\*\*) Term: **14 Years**
- (21) Appl. No.: **29/119,996**
- (22) Filed: **Mar. 13, 2000**
- (51) **LOC (7) Cl.** ..... **09-07**
- (52) **U.S. Cl.** ..... **D9/451; D7/392.1**
- (58) **Field of Search** ..... D7/507, 509-514, D7/519, 523-528, 530-536, 602, 605, 619, 300, 305, 312, 314, 320, 392, 392.1, 396.2; D9/424, 428, 434-436, 441, 445, 447, 451, 454; 215/1.1, 200, 211, 218, 220, 230, 272; 220/705, 709, 713

- D. 358,294 \* 5/1995 Letica ..... D7/392.1
- D. 388,320 \* 12/1997 Lamb ..... D9/300
- D. 395,597 \* 6/1998 Lamb ..... D9/300
- D. 408,283 \* 4/1999 Tucker ..... D9/435
- D. 415,681 \* 10/1999 Yourist ..... D9/434
- D. 424,937 \* 5/2000 Tucker ..... D9/435
- 3,085,709 \* 4/1963 Klein ..... D9/436
- 4,448,316 \* 5/1984 Hiroshige ..... 215/388
- 4,508,235 \* 4/1985 Steele et al. .... 215/307
- 5,328,069 \* 7/1994 Cohanfard ..... 224/148.2

\* cited by examiner

*Primary Examiner*—Robert M. Spear

(74) *Attorney, Agent, or Firm*—Nixon & Vanderhye P.C.

(57) **CLAIM**

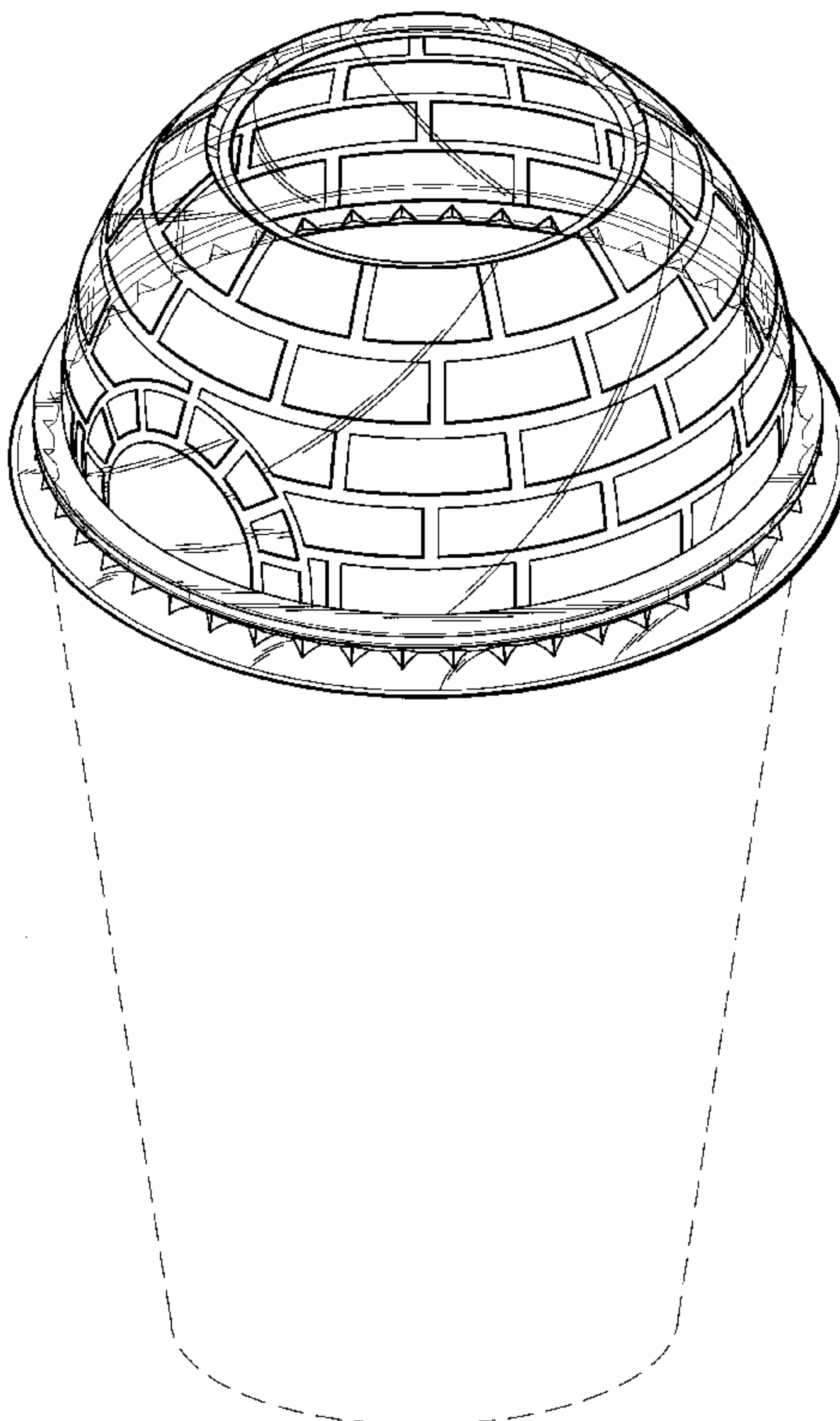
The ornamental design for a “domed container lid”, as shown and described.

**DESCRIPTION**

FIG. 1 is a perspective view of a domed container lid which embodies my new and original design therefor;  
 FIG. 2 is a top plan view of thereof;  
 FIG. 3 is a front elevational view thereof;  
 FIG. 4 is a left side elevational view thereof, the right side elevational view being substantially a mirror image thereof;  
 FIG. 5 is a rear elevational view thereof;  
 FIG. 6 is a bottom plan view thereof; and,  
 FIG. 7 is an environmental perspective view thereof, and wherein the dashed line representation of a container therein forms no part of the claimed design.

- (56) **References Cited**
- U.S. PATENT DOCUMENTS**
- D. 194,696 \* 2/1963 Kidd ..... D7/511
- D. 243,069 \* 1/1977 Igelman ..... D9/428
- D. 266,486 \* 10/1982 Lutz ..... D9/503
- D. 267,546 \* 1/1983 Manlove ..... D9/445
- D. 272,128 \* 1/1984 Parmentier ..... D9/345
- D. 276,087 \* 10/1984 Kotyuk, Jr. .... D28/79
- D. 291,779 \* 9/1987 Inaba ..... D9/445
- D. 326,796 \* 6/1992 Kawano ..... D7/510
- D. 335,082 \* 4/1993 Delorey ..... D9/447

**1 Claim, 5 Drawing Sheets**



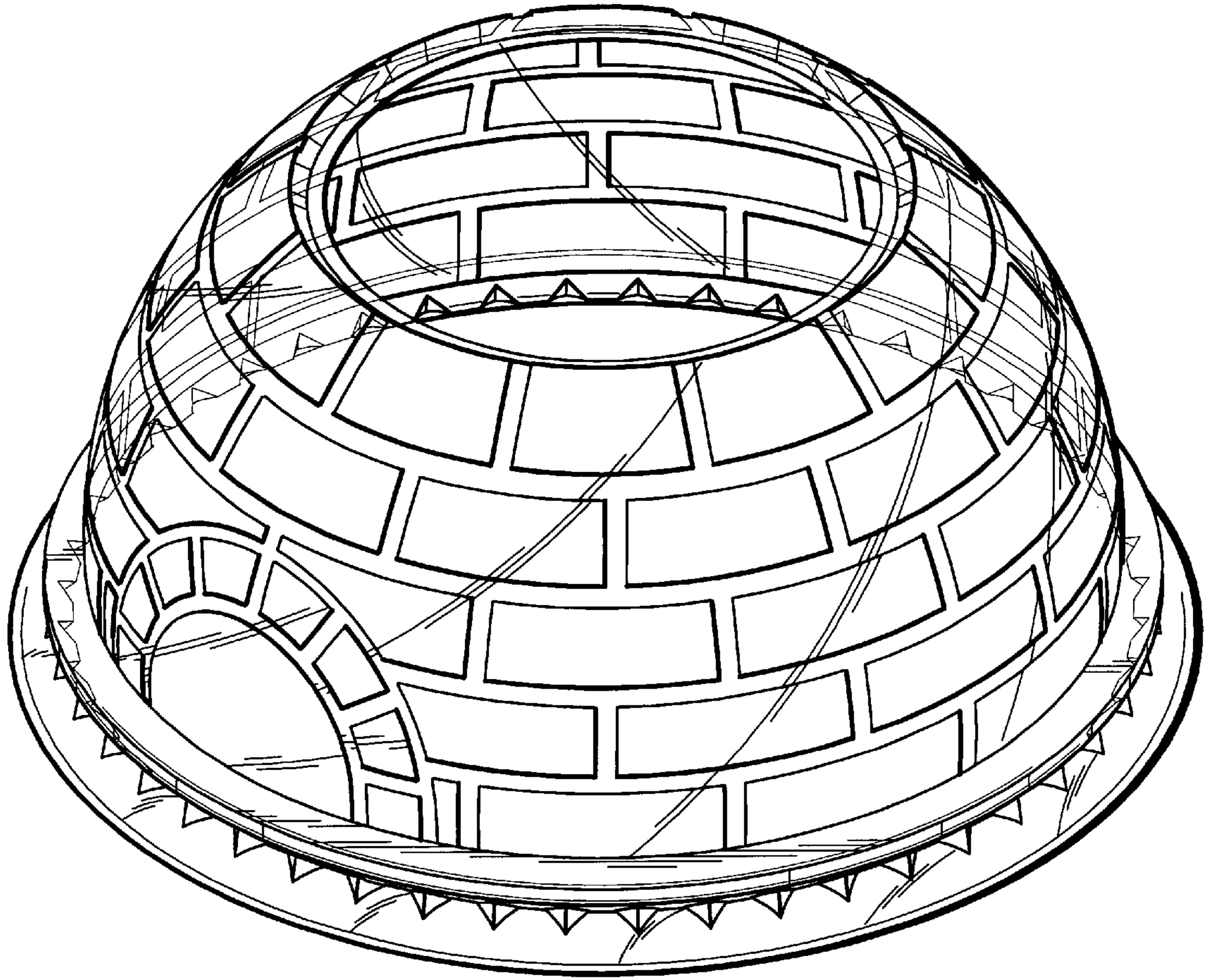


Fig.1



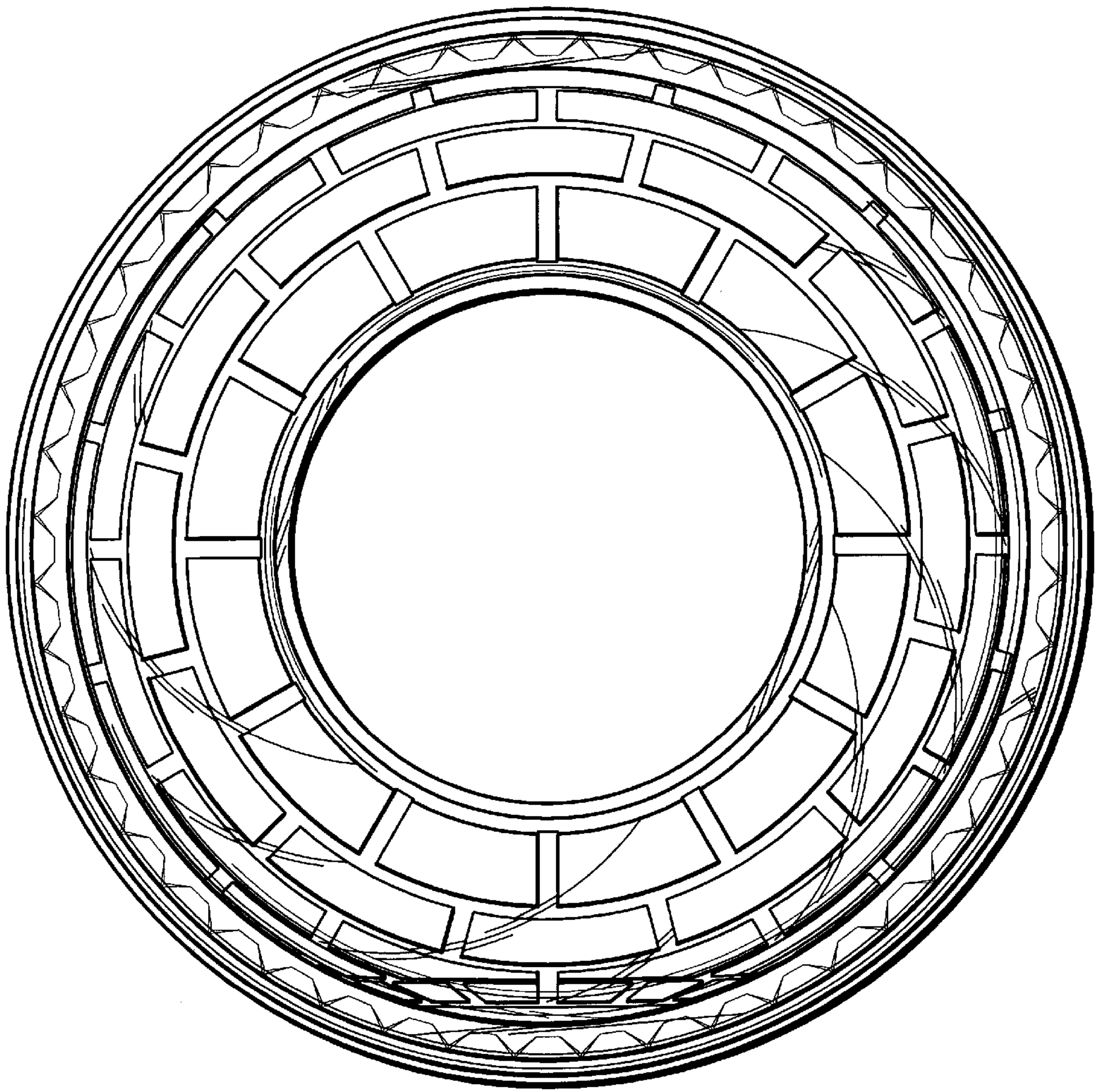


Fig.2

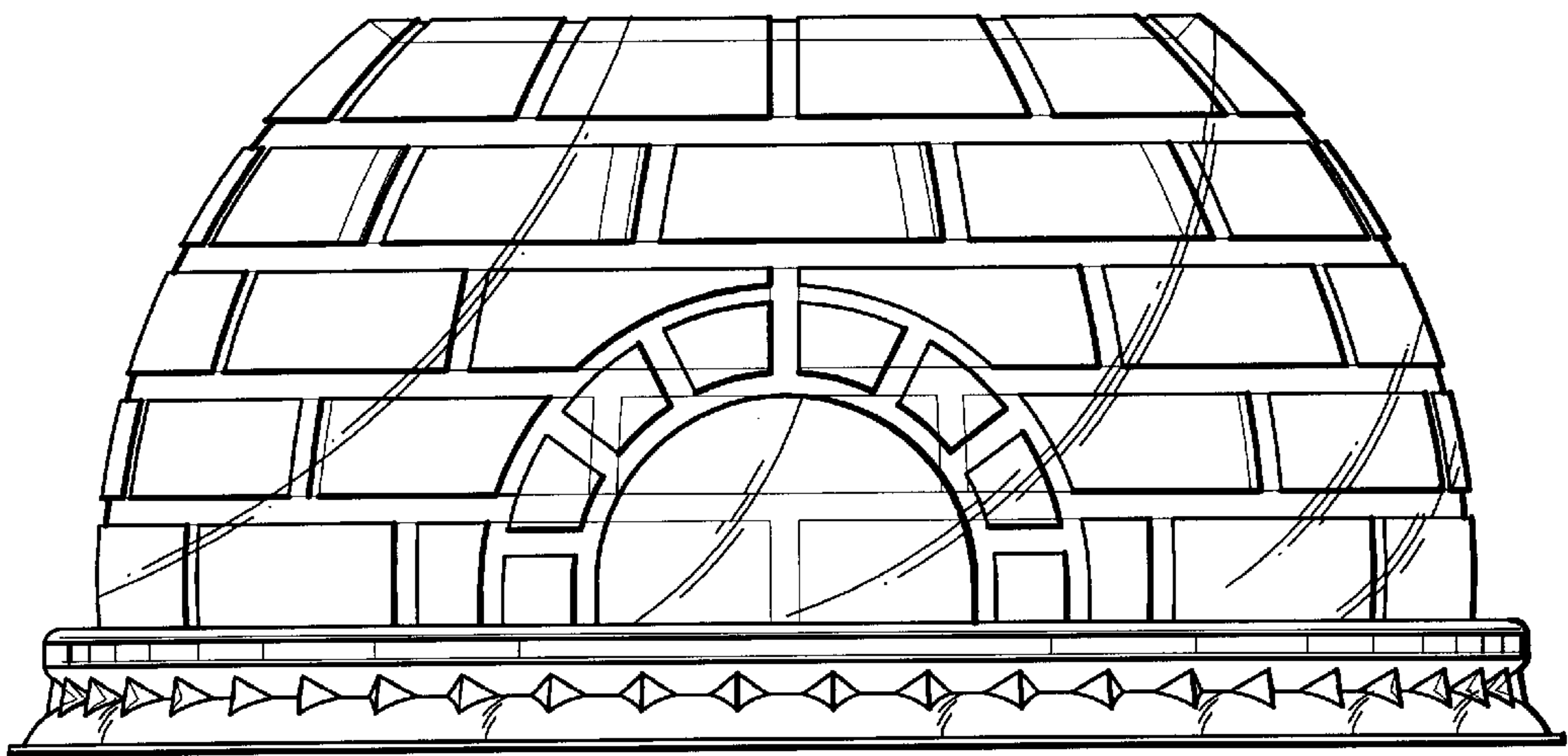


Fig.3

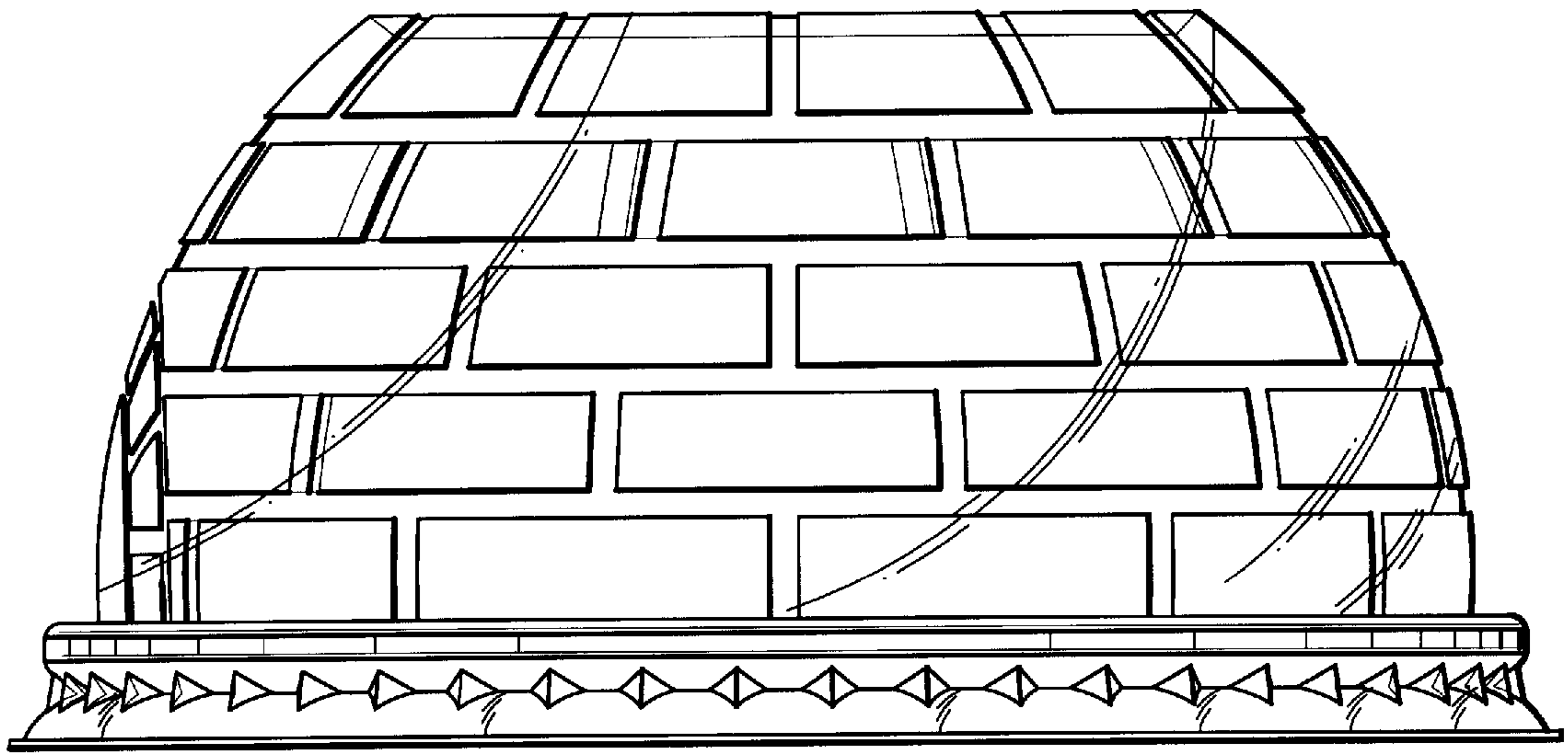


Fig.4

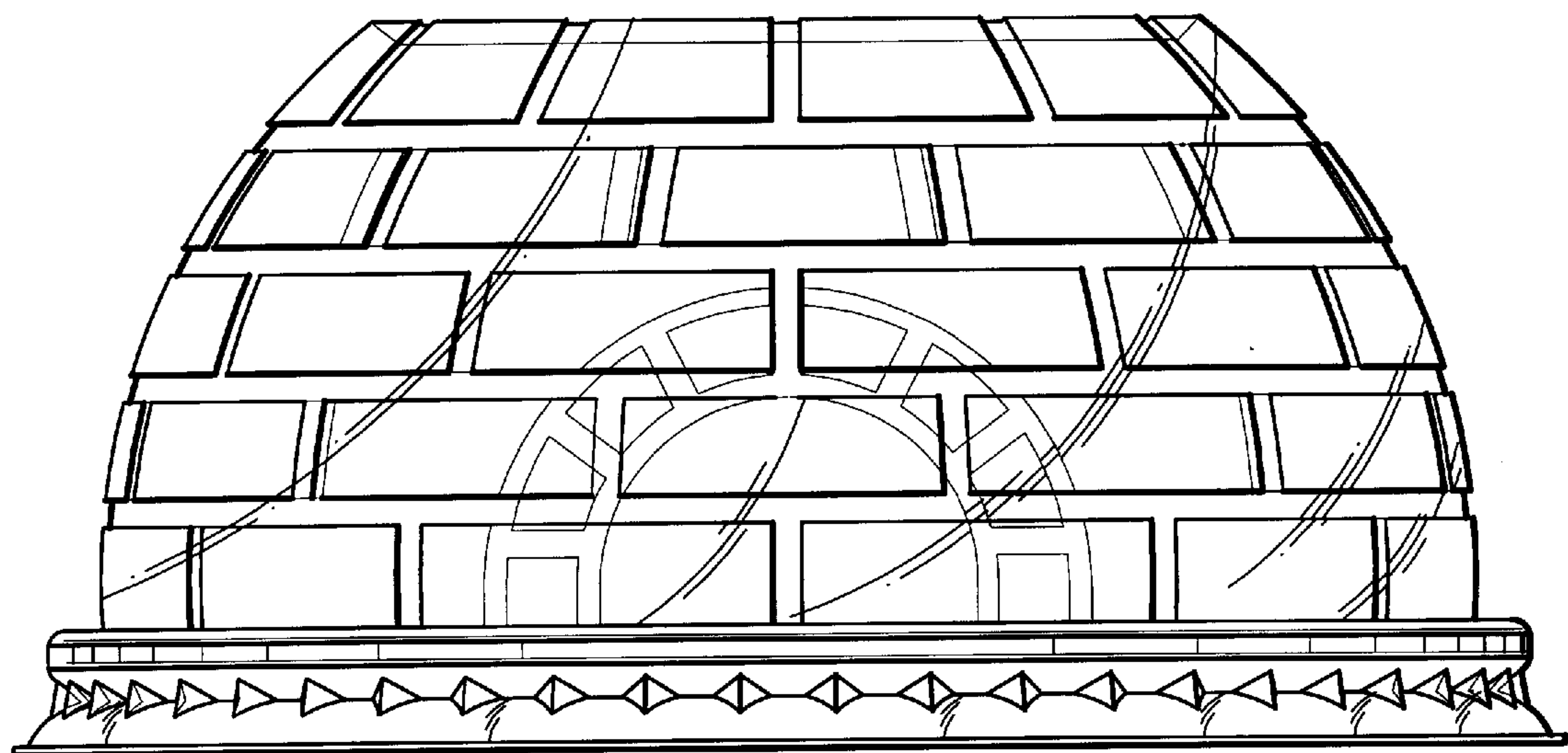


Fig.5

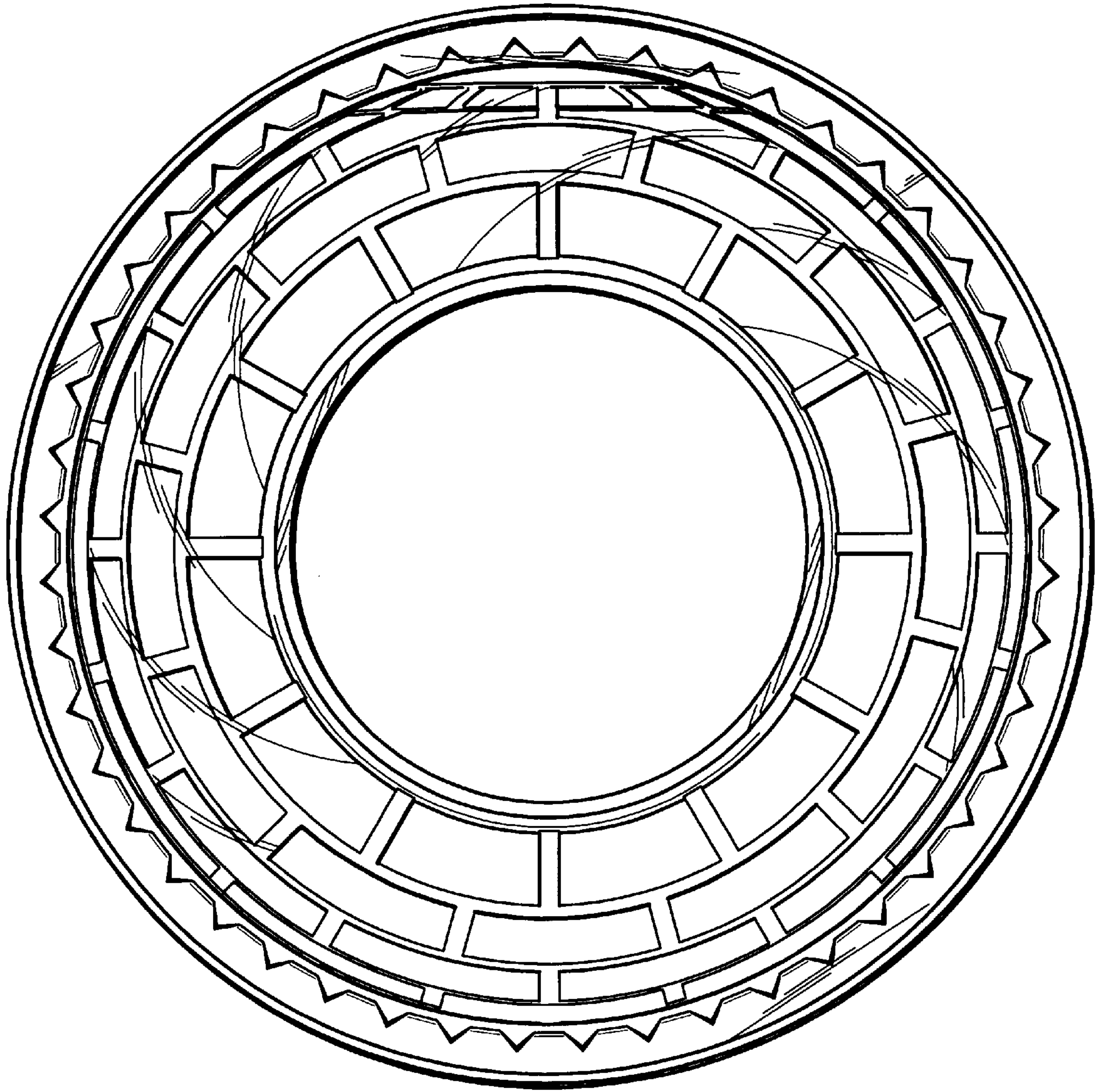


Fig.6



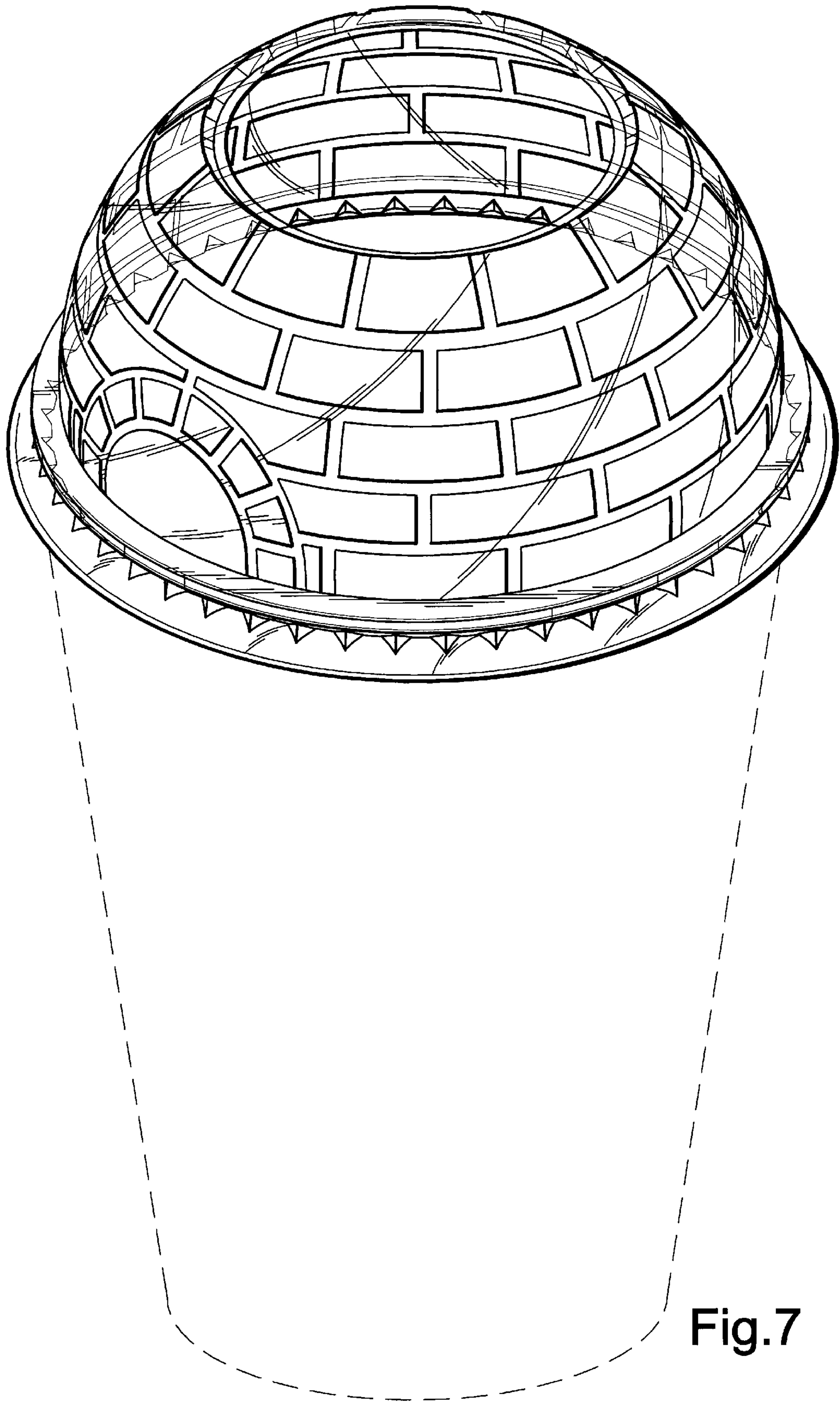


Fig. 7