



US00D440154S

(12) **United States Design Patent**
Ricard et al.

(10) **Patent No.: US D440,154 S**

(45) **Date of Patent: ** Apr. 10, 2001**

(54) **BOTTLE INVERSION CAP**
(75) Inventors: **Paul J. Ricard**, Amherst; **David Kroll**,
Westfield; **Robert Engman**,
Easthampton; **Peter A. Laird**, Whately,
all of MA (US)

4,646,944	*	3/1987	Sanderson	222/185.1	X
4,930,668		6/1990	Krall	222/212	
5,060,830	*	10/1991	Krall	222/185.1	X
5,259,534	*	11/1993	Lynd	222/185.1	X
5,292,035		3/1994	Millar	222/185	
5,337,922	*	8/1994	Salkeld	222/185.1	X

* cited by examiner

(73) Assignee: **Good Idea!, Inc.**, Northampton, MA
(US)

Primary Examiner—Cathron B. Matta

(**) Term: **14 Years**

(74) *Attorney, Agent, or Firm*—William C. Crutcher

(21) Appl. No.: **29/112,571**

(22) Filed: **Oct. 21, 1999**

(57) **CLAIM**

The ornamental design for a bottle inversion cap, as shown and described.

(51) **LOC (7) Cl.** **09-07**

DESCRIPTION

(52) **U.S. Cl.** **D9/436; D9/447; D9/449;**
D9/446

FIG. 1 is a top plan view of an improved design for a bottle inversion cap in a closed position,

(58) **Field of Search** D9/434, 436, 441,
D9/451, 454, 314, 318; D7/306, 313, 392,
392.1, 397, 398, 629; 222/81, 83.5, 88,
173, 185.1, 189.09, 464.1

FIG. 2 is a front side elevational view of the bottle inversion cap,

FIG. 3 is a perspective view of the bottle inversion cap, in a closed position; and,

FIG. 4 is a perspective view of the bottle inversion cap, in an open position.

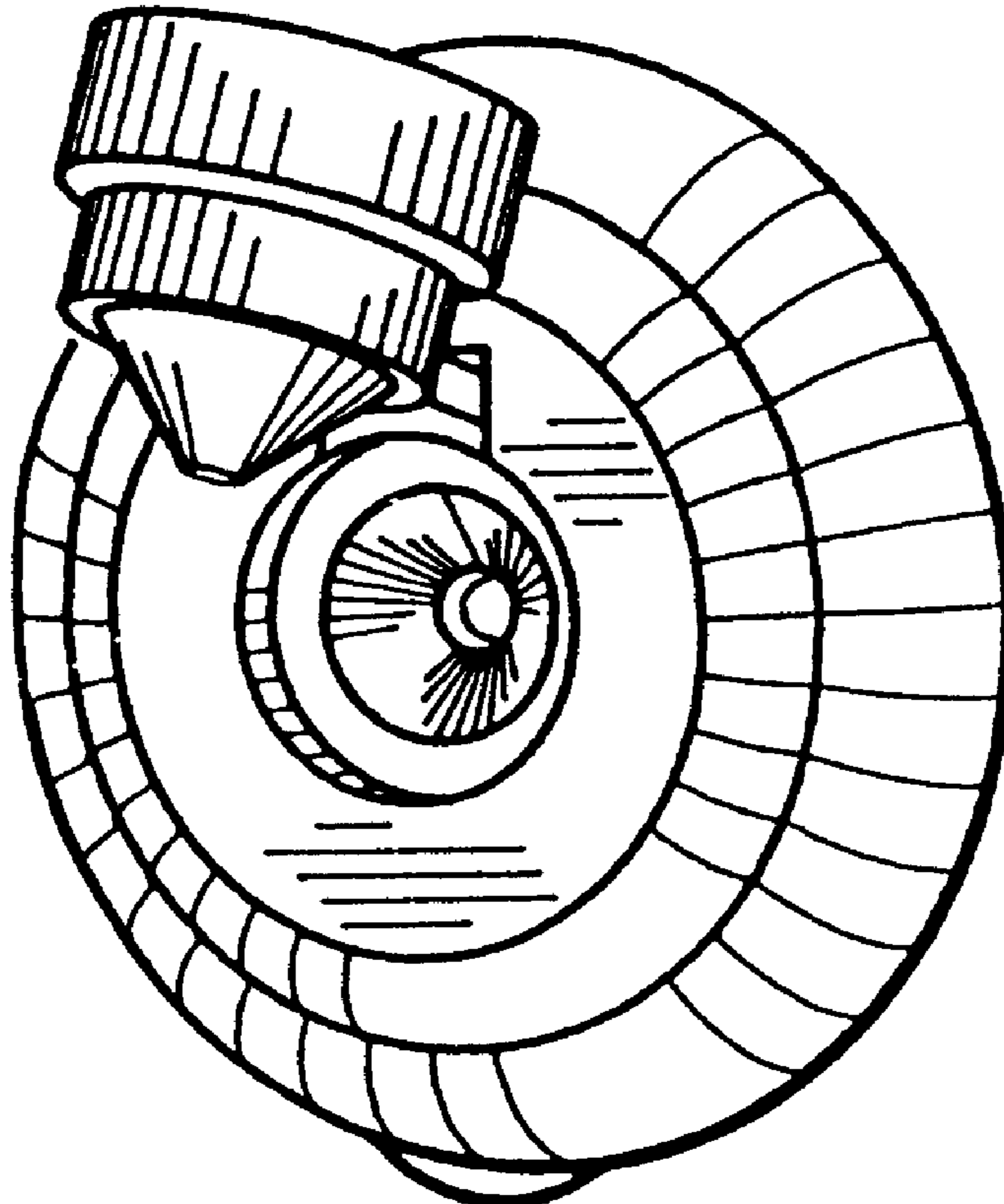
(56) **References Cited**

The surface(s) or portion(s) of the article not shown in the drawing or described in the specification form(s) no part of the claimed design.

U.S. PATENT DOCUMENTS

D. 208,172	*	7/1967	Morrison	D9/314	
D. 268,394	*	3/1983	MacEwan	D9/454	
D. 313,174	*	12/1990	Samoilovich	D9/314	

1 Claim, 1 Drawing Sheet



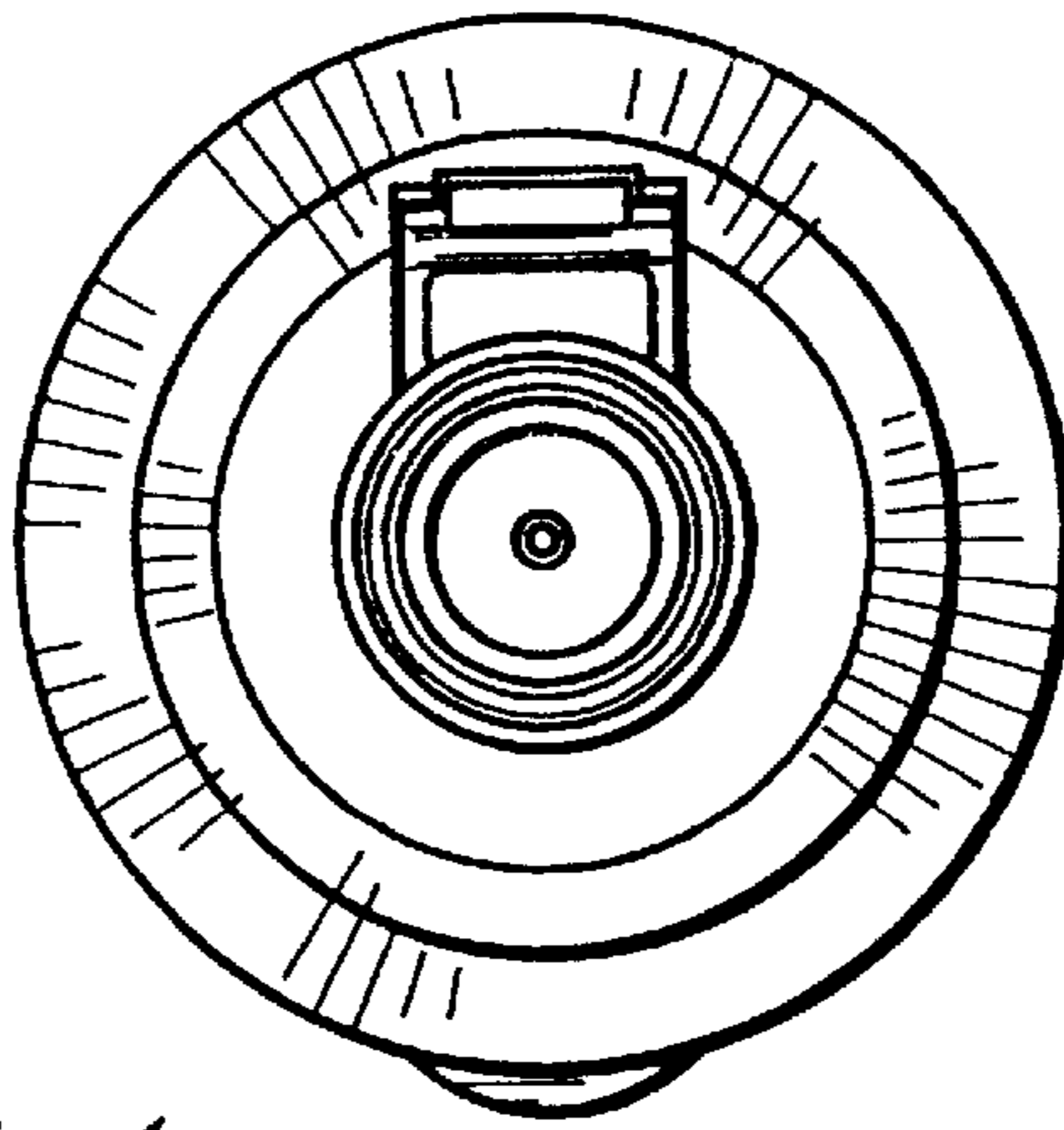


Fig. 1

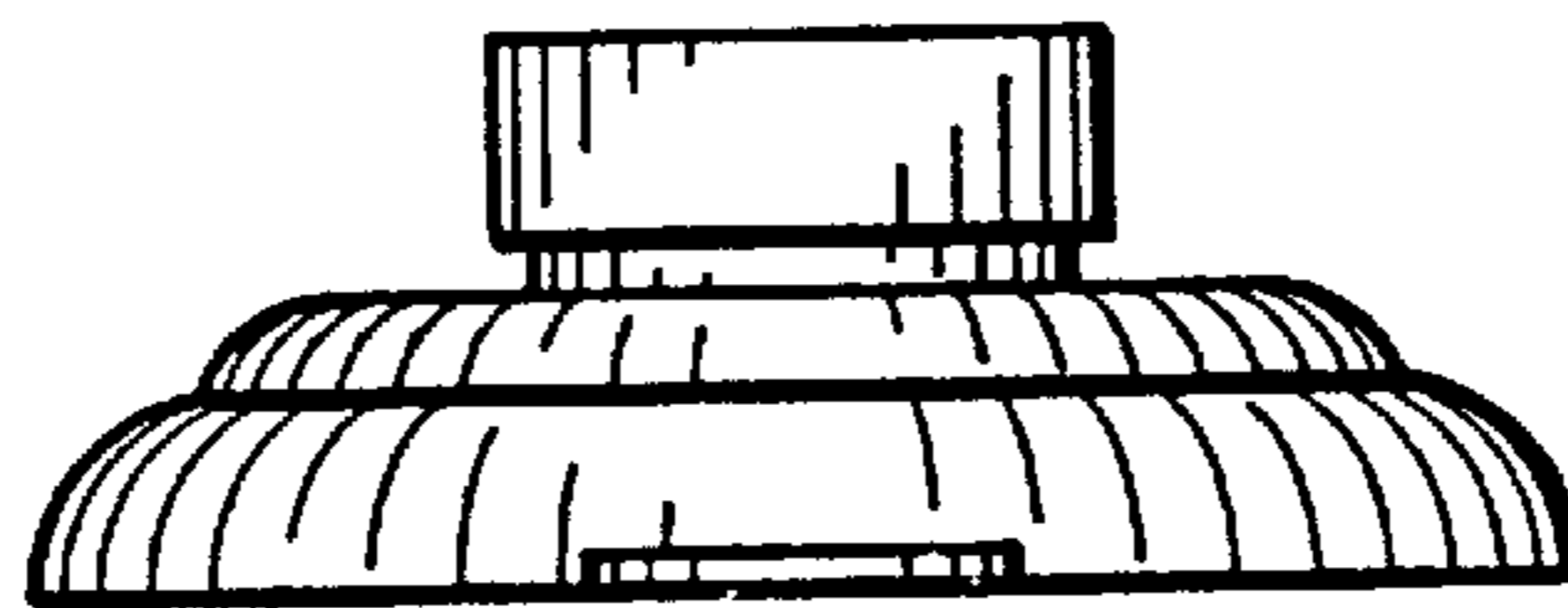


Fig. 2

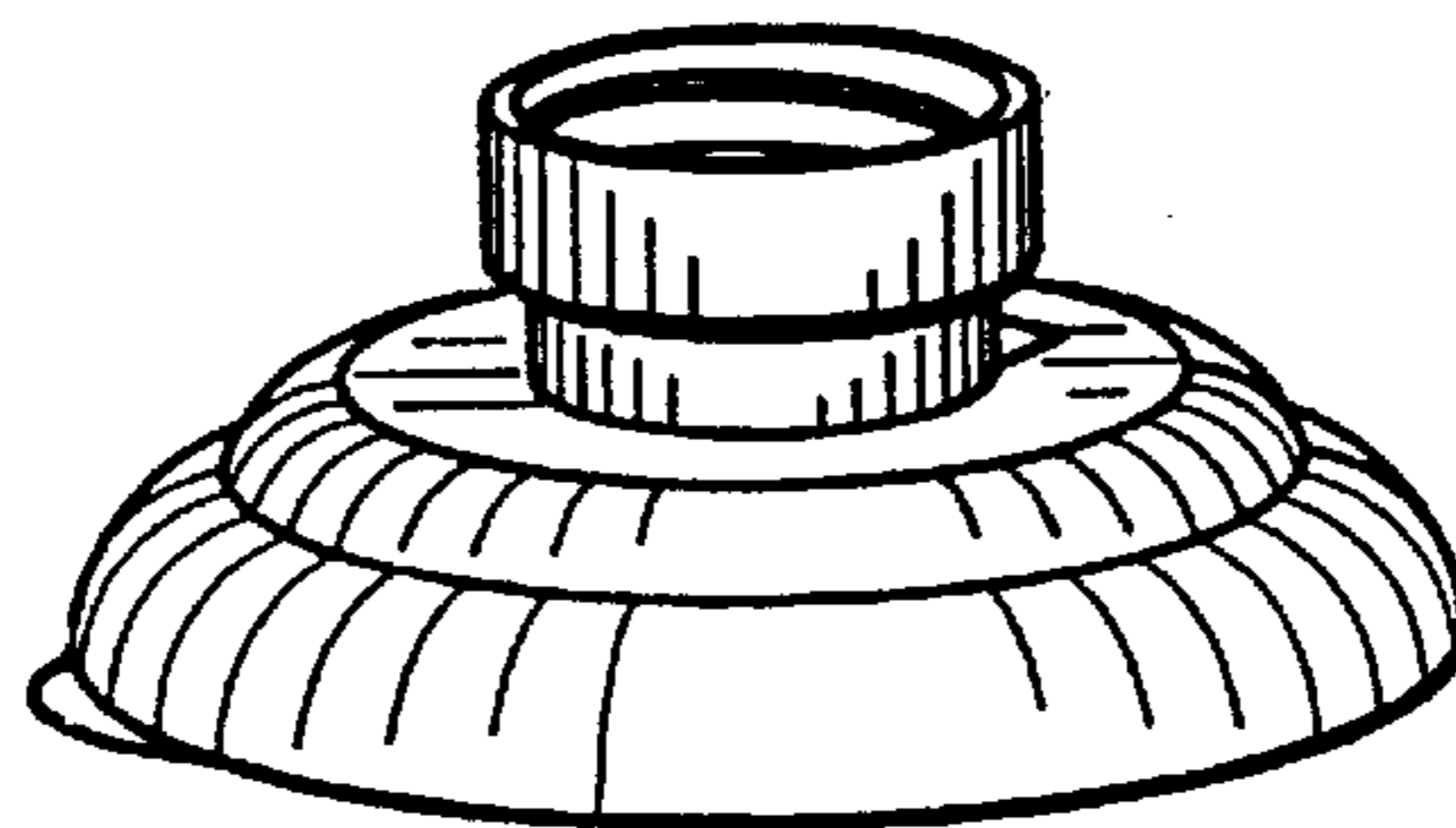


Fig. 3

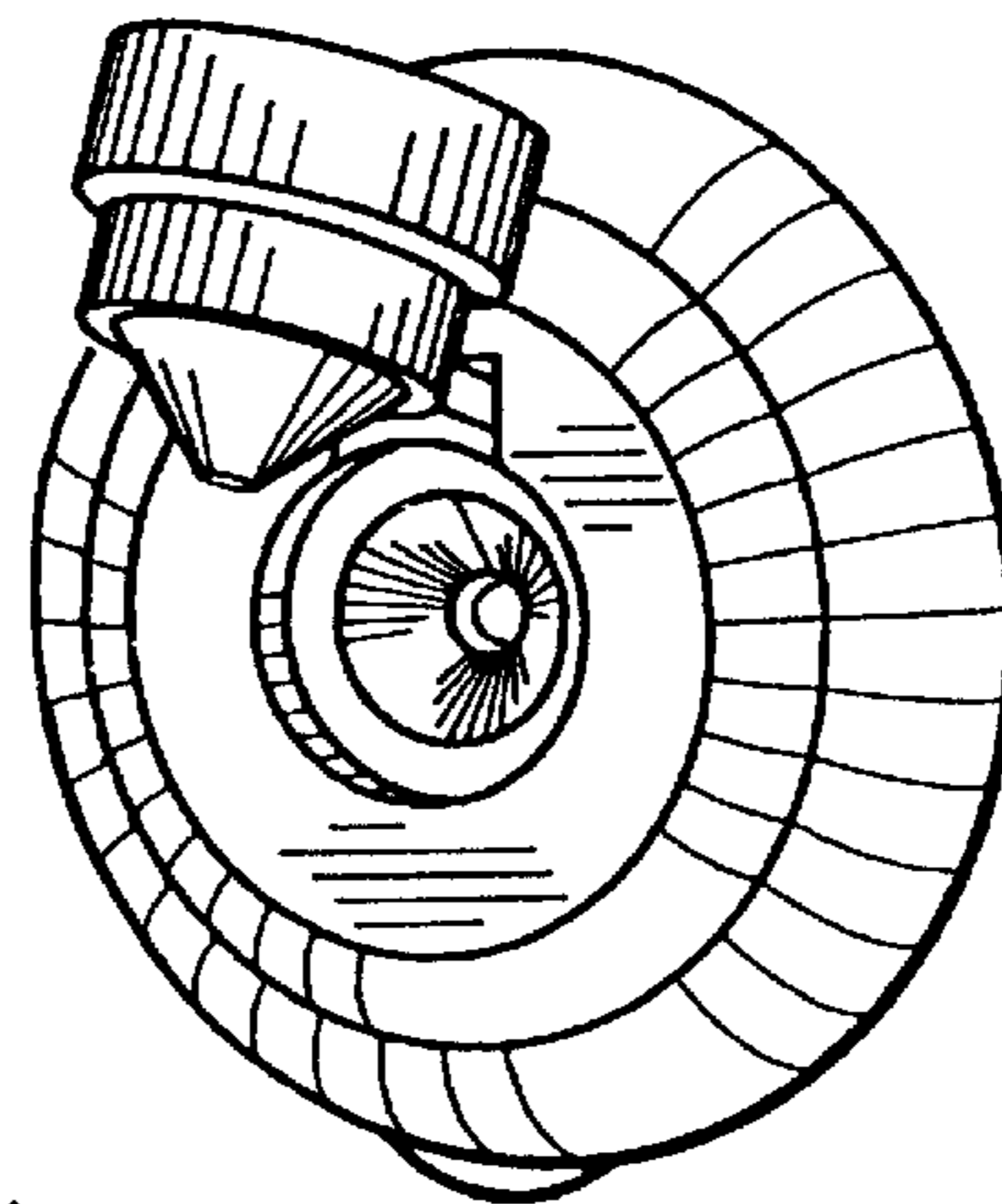


Fig. 4