



US00D440153S

(12) **United States Design Patent**
Lin

(10) **Patent No.:** **US D440,153 S**

(45) **Date of Patent:** **** Apr. 10, 2001**

(54) **COMBINED JAR AND CAPS**

DESCRIPTION

(75) Inventor: **Yi-Hung Lin**, No. 101, Hsi-Chou Rd.,
Tai-Ping City, Taichung Hsien (TW)

(73) Assignee: **Yi-Hung Lin**, Taichung-Hsien (TW)

(**) Term: **14 Years**

(21) Appl. No.: **29/118,547**

(22) Filed: **Feb. 11, 2000**

(51) **LOC (7) Cl.** **09-03**

(52) **U.S. Cl.** **D9/341**

(58) **Field of Search** D3/208, 215, 219,
D3/264; D9/337, 338, 341, 414, 424-428,
434, 435, 445, 447, 454; D28/76, 77, 82,
91; 132/293, 296, 301, 304, 316; 206/5.1,
216, 542, 581; 220/4.27, 253, 377, 796;
224/667

(56) **References Cited**

U.S. PATENT DOCUMENTS

D. 117,705	*	11/1939	Abrams	D3/264
D. 380,378	*	7/1997	Wood	D9/341
D. 382,704	*	8/1997	Petruzzi	D3/207
D. 388,602	*	1/1998	Petruzzi	D3/208
D. 406,396	*	3/1999	Granwehr	D28/76
3,108,314	*	10/1963	House	D9/435
3,378,020	*	4/1968	Grabiel	206/5.1
5,089,240	*	2/1992	Perlaky	422/300
5,542,561	*	8/1996	Slink et al.	220/291

* cited by examiner

Primary Examiner—Robert M. Spear
(74) *Attorney, Agent, or Firm*—Pepper Hamilton LLP

(57) **CLAIM**

The ornamental design for combined jar and caps, as shown and described.

FIG. 1 is a perspective view of a combined jar and caps showing my new design the opposite side perspective view being substantially identical thereto, the sole difference being the position of the aperture side tab;
 FIG. 2 is a front elevational view of FIG. 1;
 FIG. 3 is a rear elevational view of FIG. 1;
 FIG. 4 is a left side elevational view of FIG. 1;
 FIG. 5 is a right side elevational view of FIG. 1;
 FIG. 6 is a top plan view of FIG. 1;
 FIG. 7 is a bottom view of FIG. 1;
 FIG. 8 is a perspective view of the caps separated from the body of the jar in FIG. 1 the opposite side perspective view being substantially identical thereto, the sole difference being the position of the aperture side tab;
 FIG. 9 is a front elevational view of one of the caps of the jar in FIG. 1;
 FIG. 10 is a rear elevational view of one of the caps of the jar in FIG. 1;
 FIG. 11 is a top plan view of one of the caps of the jar in FIG. 1;
 FIG. 12 is a bottom view of one of the caps of the jar in FIG. 1;
 FIG. 13 is a cross-section view of one of the caps of the jar in FIG. 1;
 FIG. 14 is a front elevational view of the body of the jar in FIG. 1;
 FIG. 15 is a rear elevational view of the body of the jar in FIG. 1;
 FIG. 16 is a top plan view of the body of the jar in FIG. 1;
 FIG. 17 is a bottom view of the body of the jar in FIG. 1;
 and,
 FIG. 18 is another perspective view in use the opposite side perspective view being substantially identical thereto, the sole difference being the position of the aperture side tab. The cap in FIGS. 9 through 13 and the jar in FIGS. 14 through 17 are shown separately for clarity of illustration. The broken line showing a chain in FIG. 18 is for illustrative purposes only and forms no part of the claimed design.

1 Claim, 8 Drawing Sheets



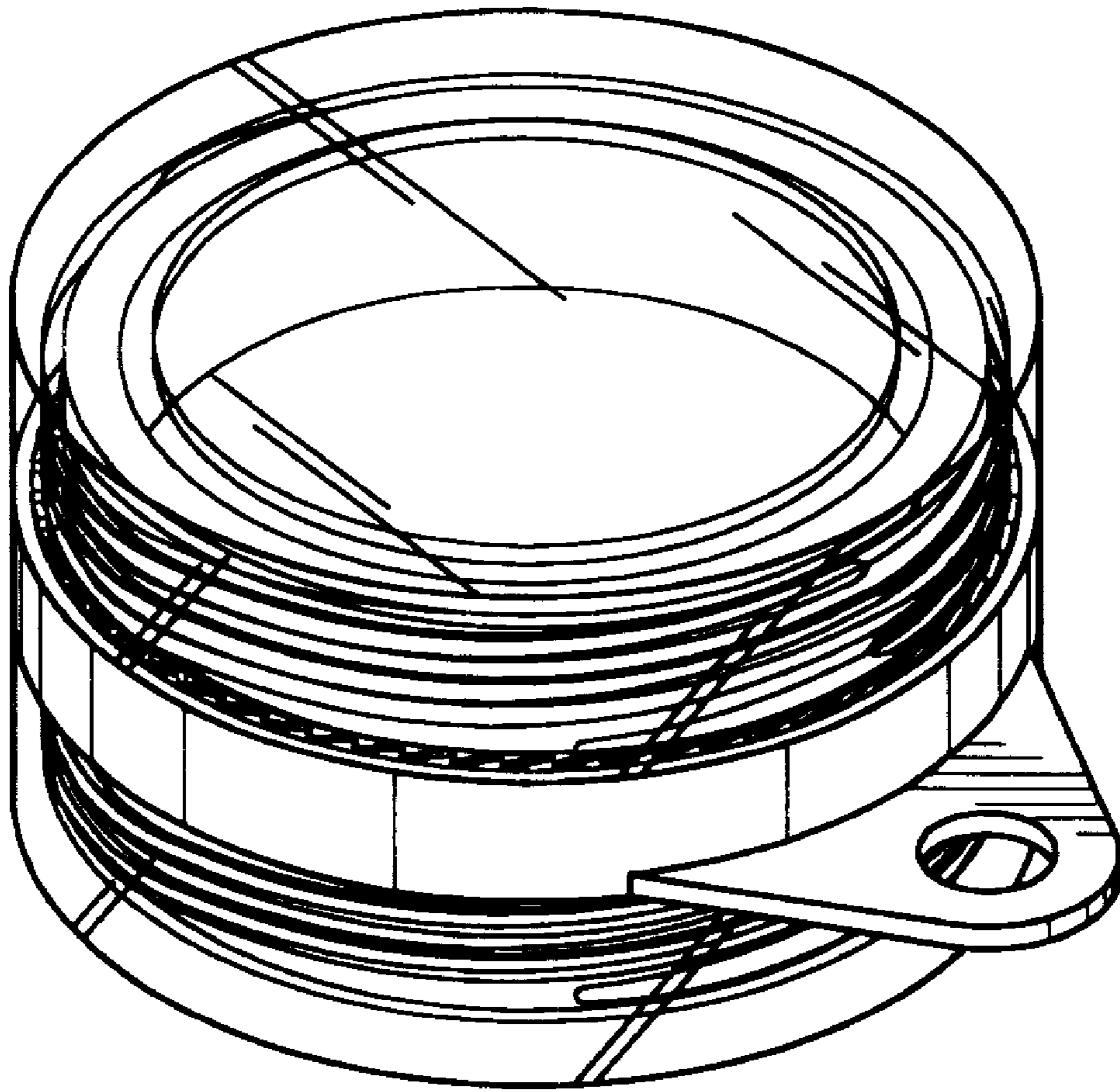


FIG. 1

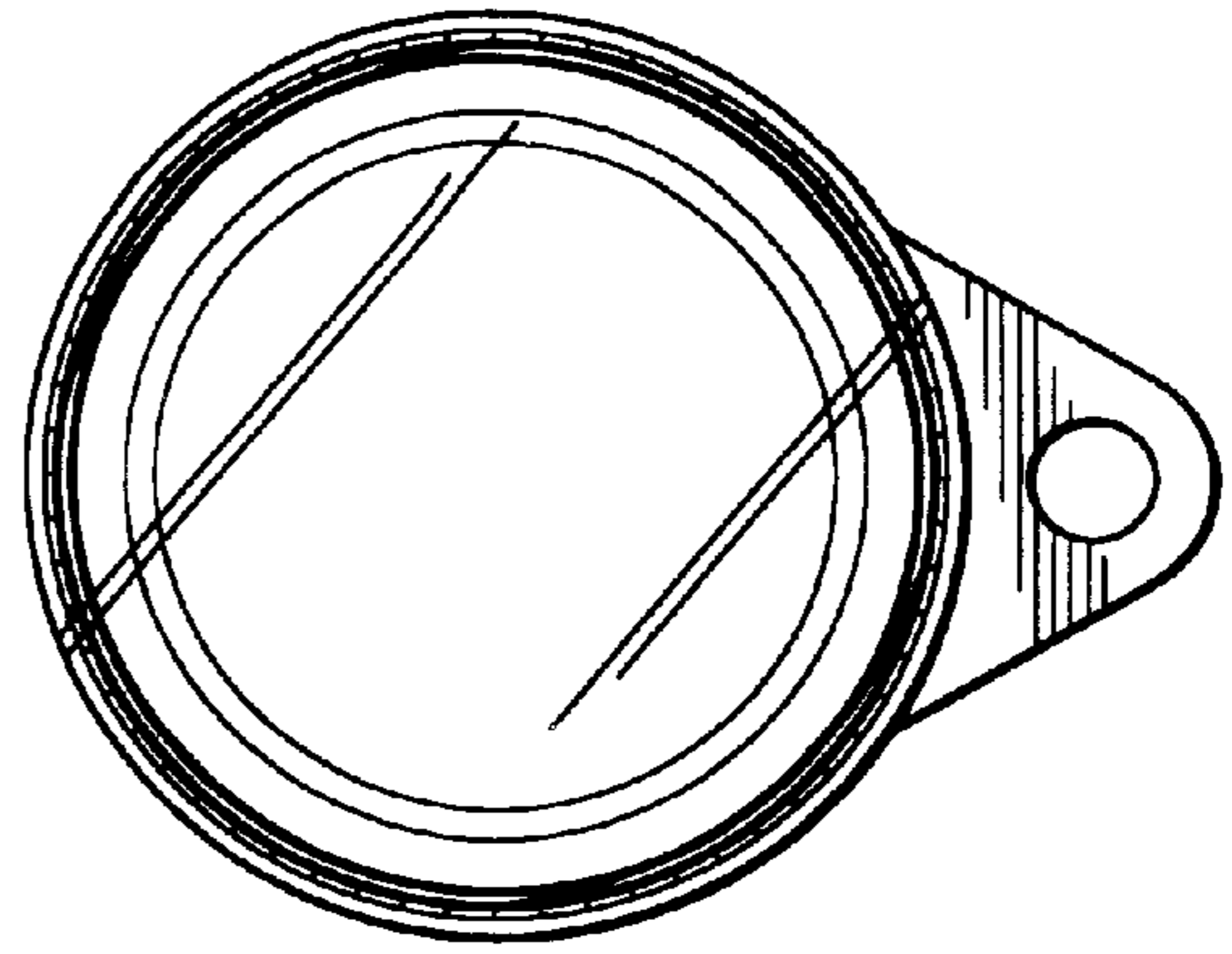


FIG. 6

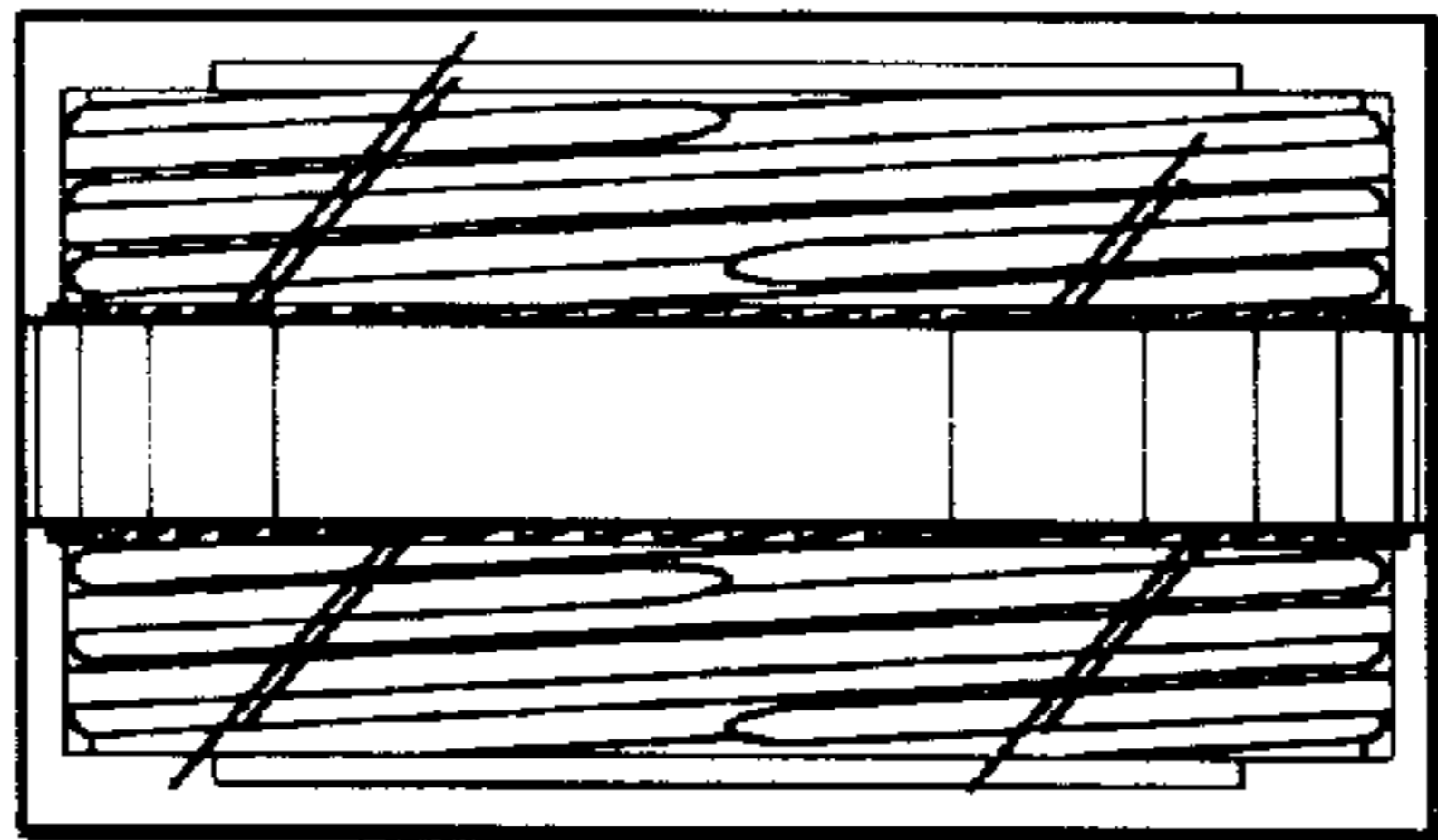


FIG. 4

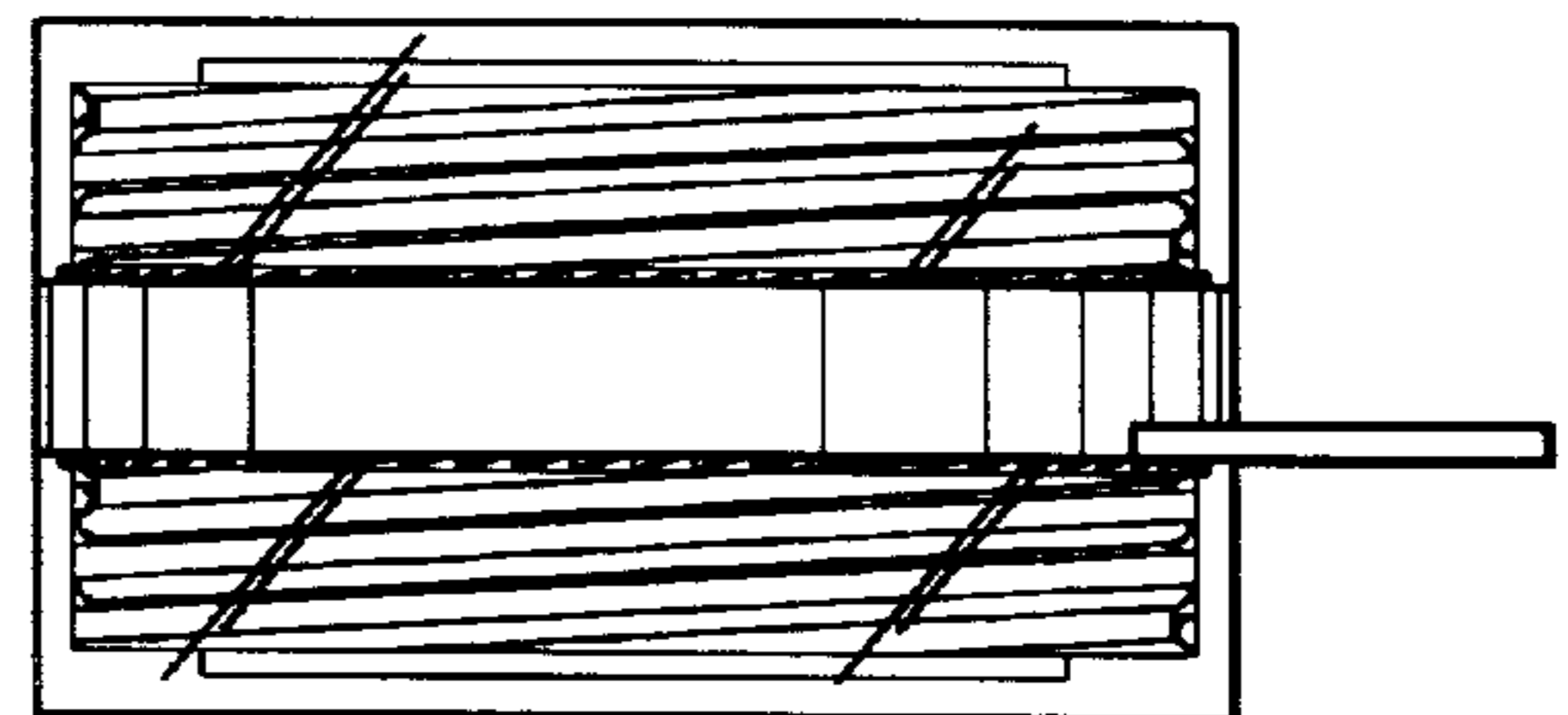


FIG. 2

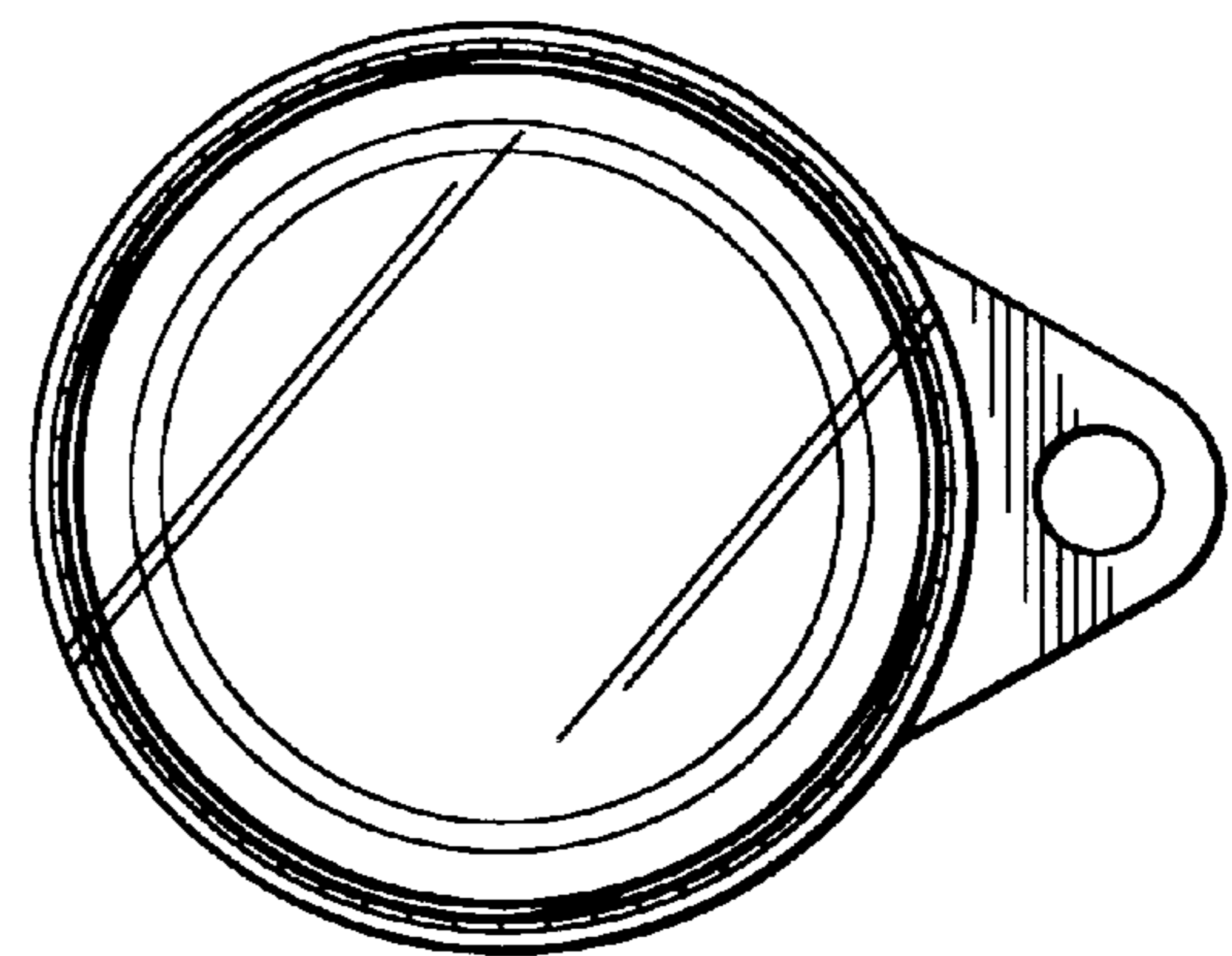


FIG. 7

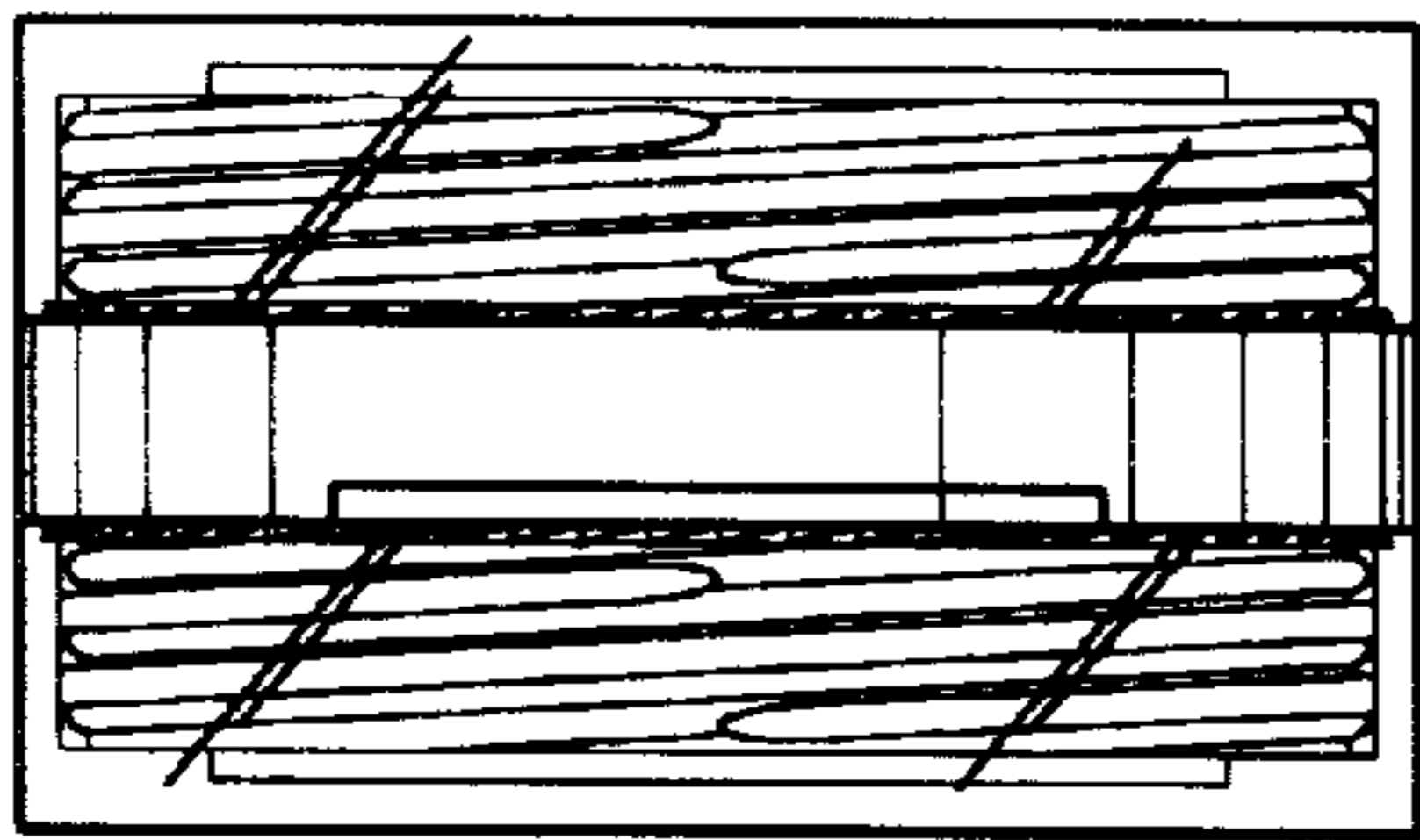


FIG. 5

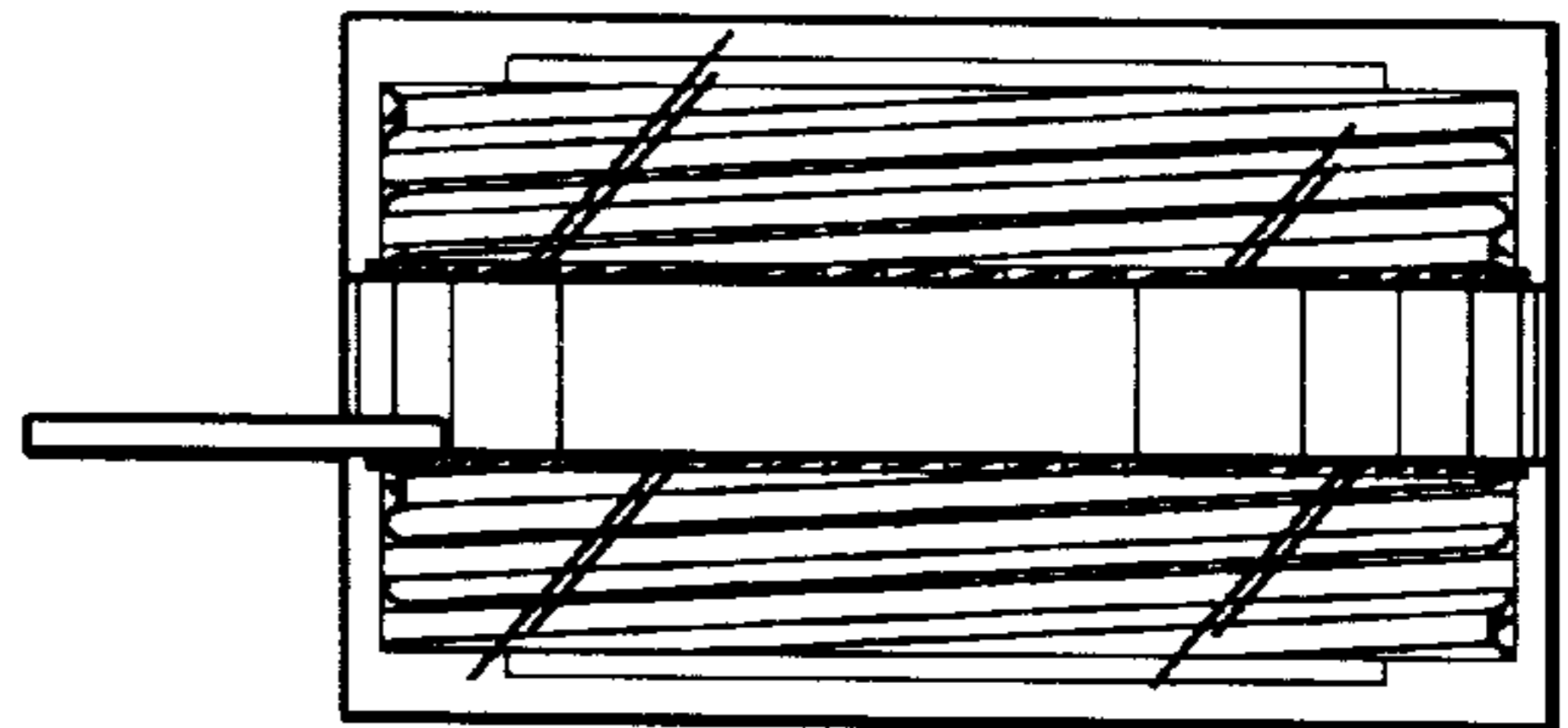


FIG. 3

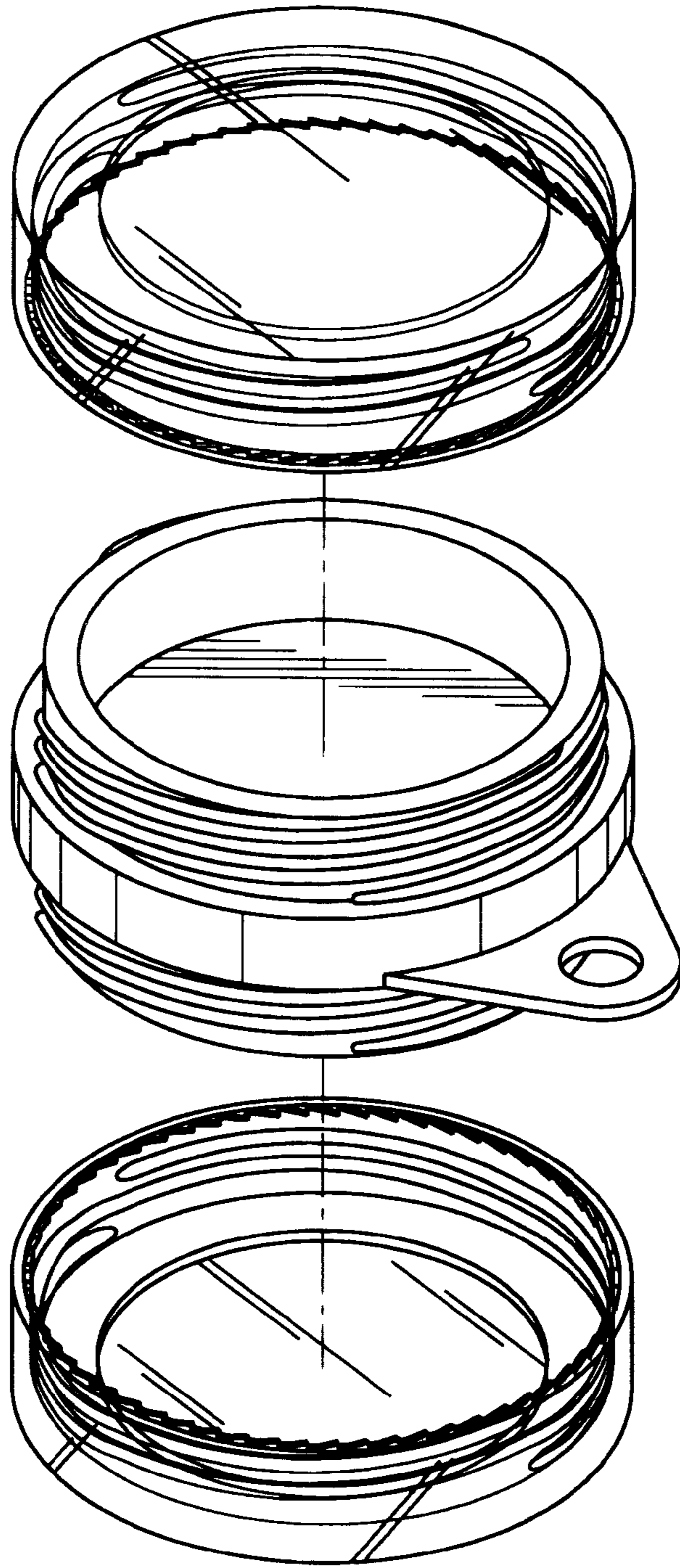


FIG. 8

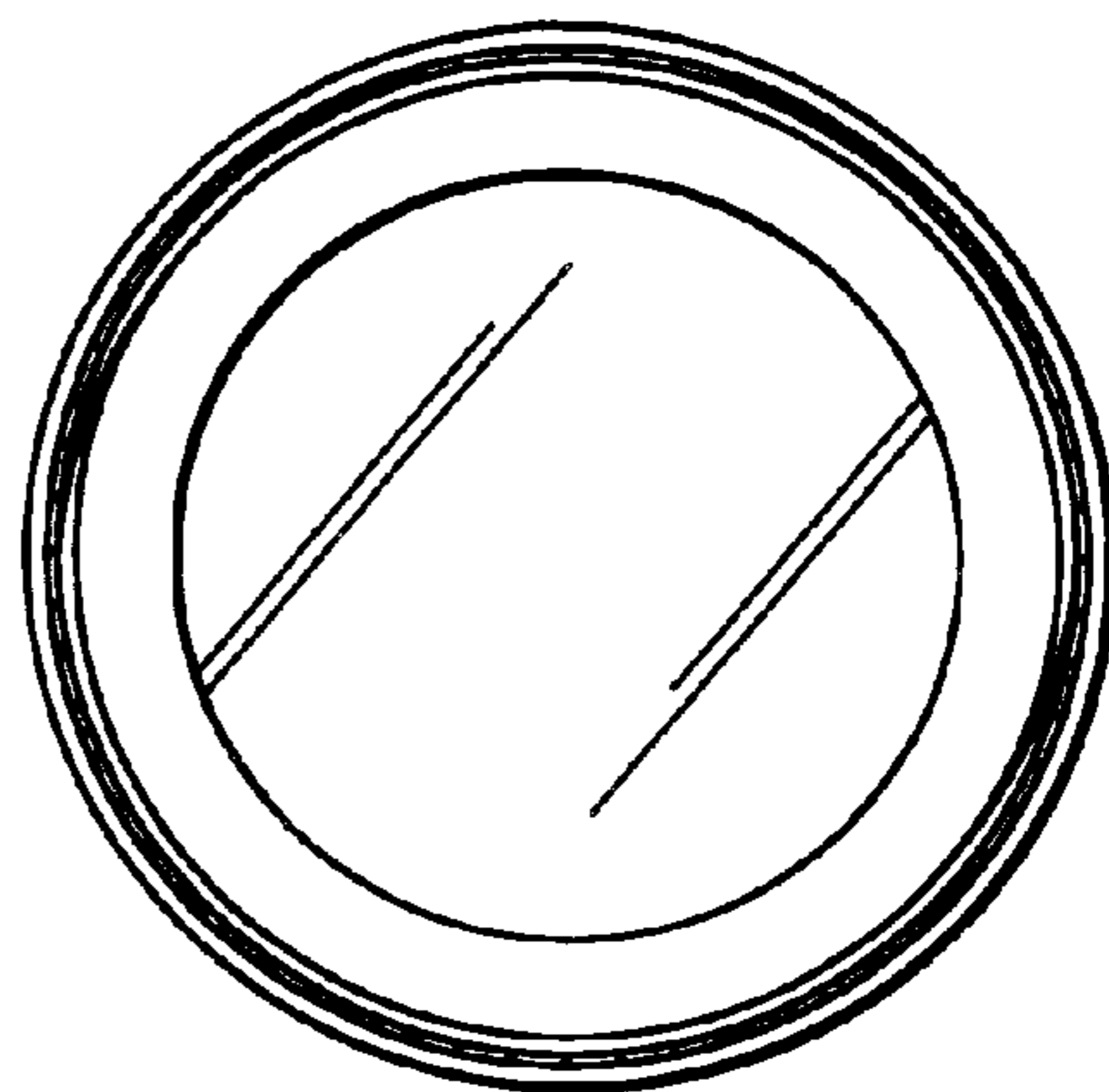


FIG. 11

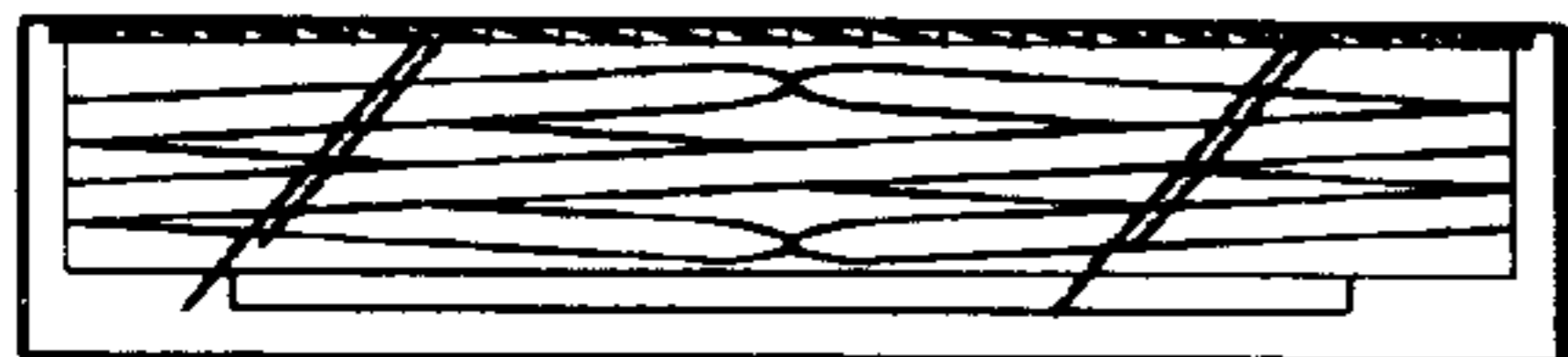


FIG. 10

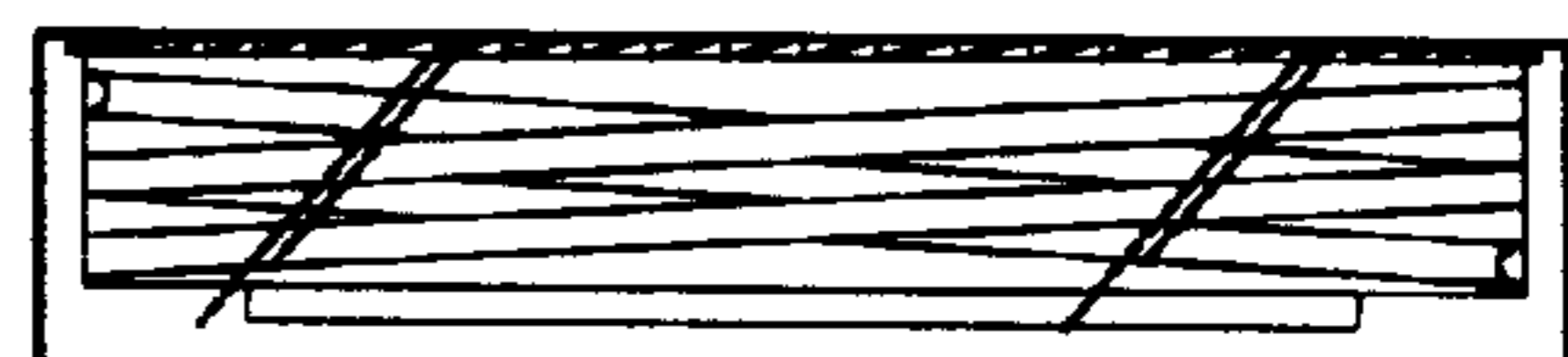


FIG. 9

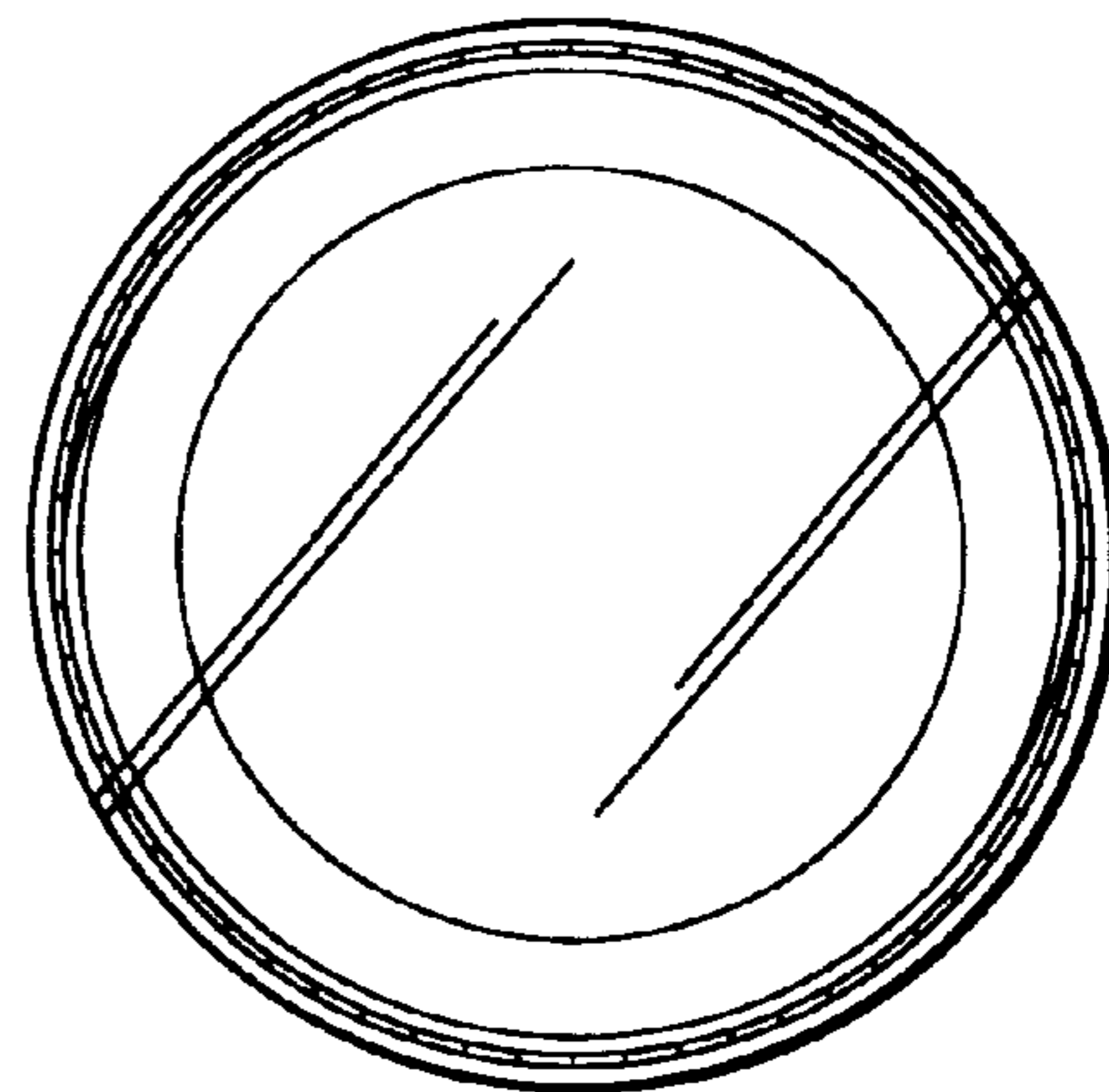


FIG. 12



FIG. 13

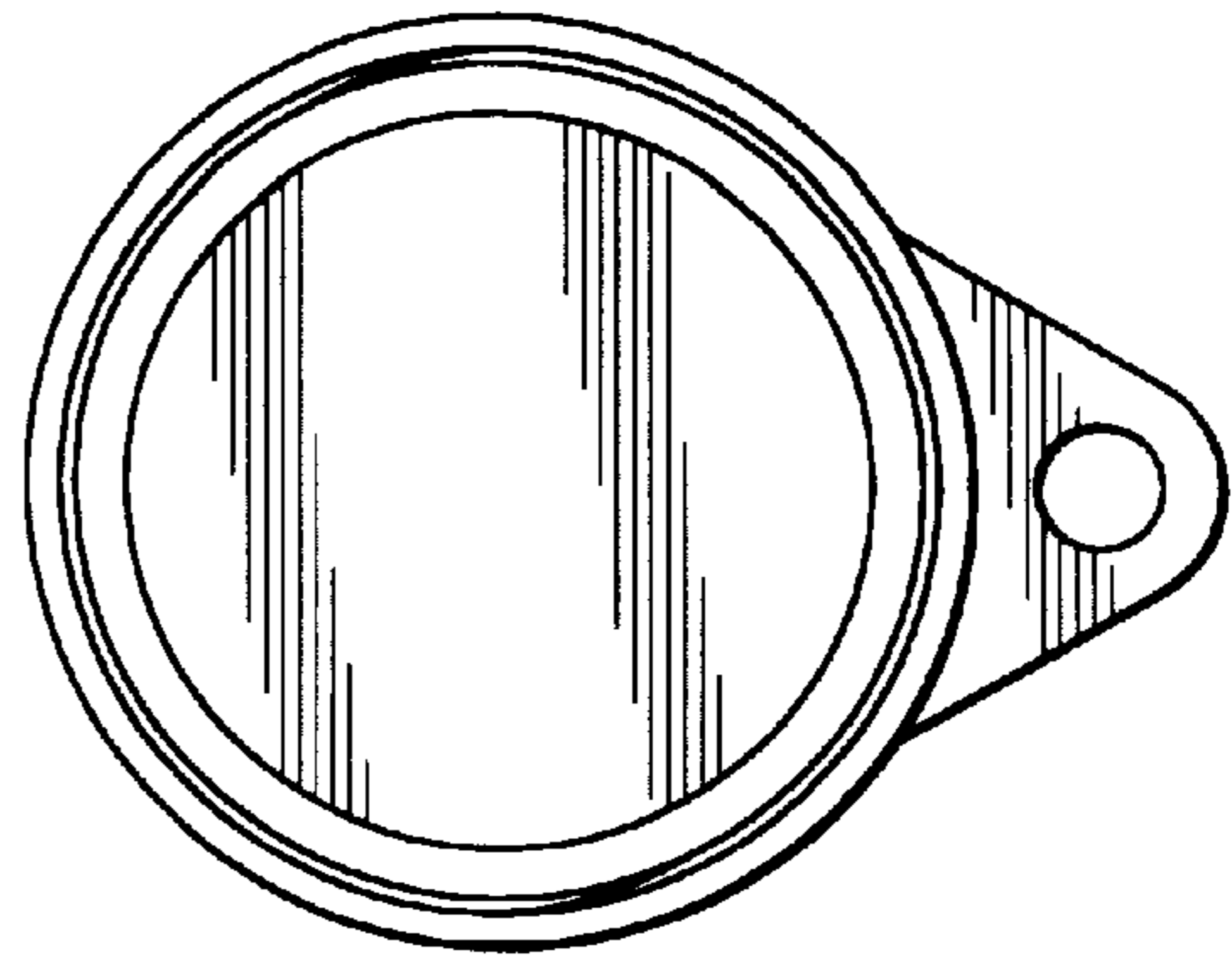


FIG. 16

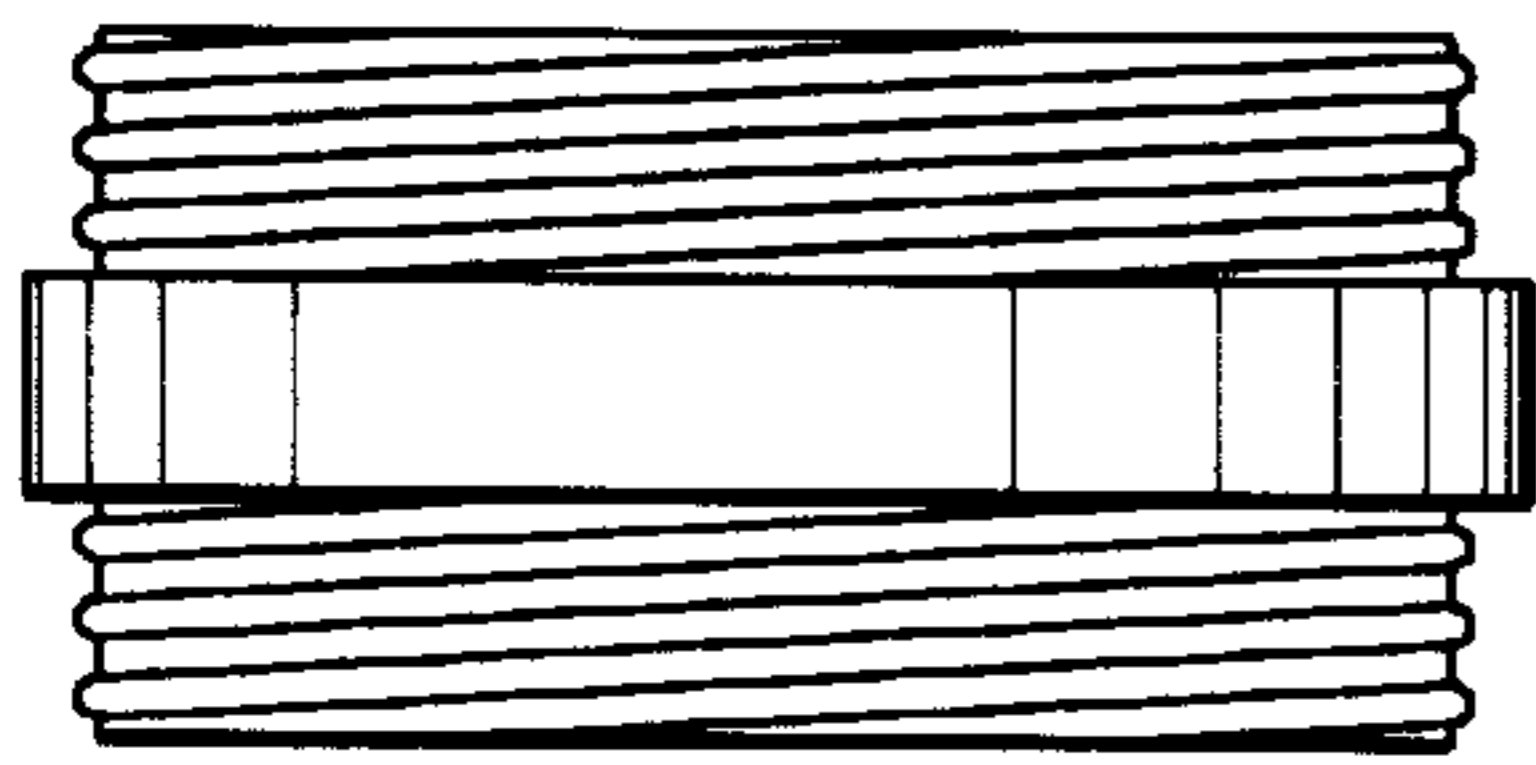


FIG. 15

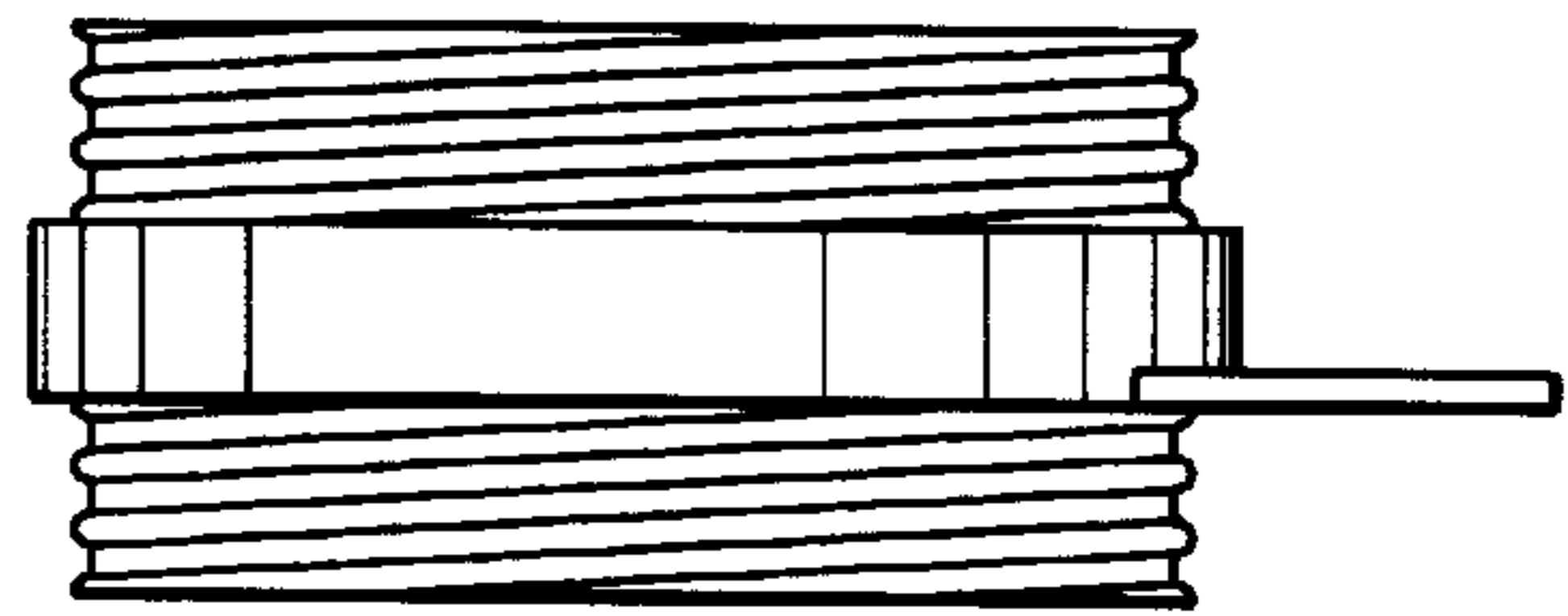


FIG. 14

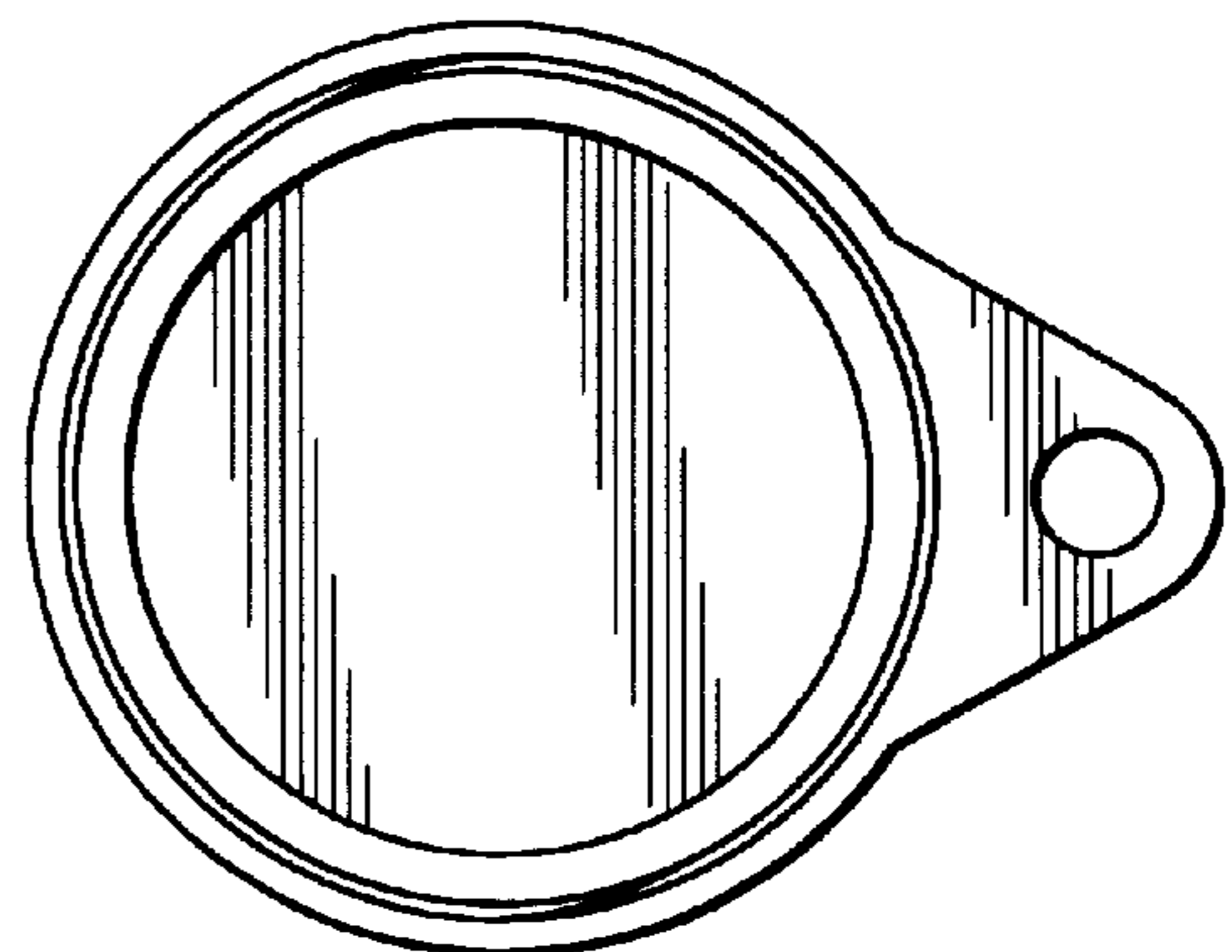


FIG. 17

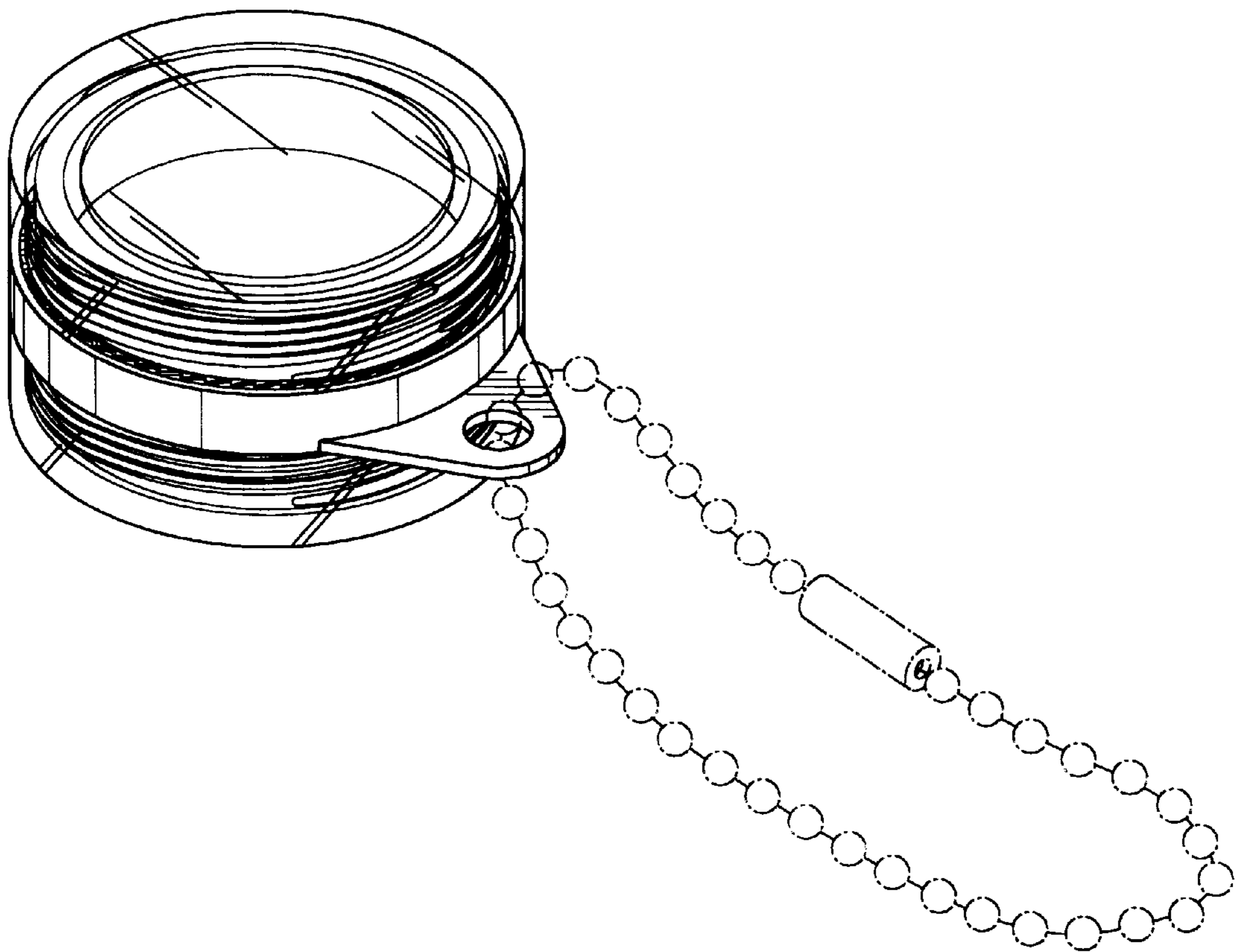


FIG. 18