



US00D440152S

(12) **United States Design Patent**  
**Legros**

(10) **Patent No.:** **US D440,152 S**

(45) **Date of Patent:** **\*\* \*Apr. 10, 2001**

(54) **PERFUME BOTTLE**

(75) **Inventor:** **Fabrice Legros, Asnieres (FR)**

(73) **Assignee:** **Prestige Fragrance Worldwide, Paris (FR)**

(\*) **Notice:** This patent is subject to a terminal disclaimer.

(\*\*) **Term:** **14 Years**

(21) **Appl. No.:** **29/099,705**

(22) **Filed:** **Jan. 27, 1999**

(30) **Foreign Application Priority Data**

Jul. 27, 1998 (FR) ..... 98 4407

(51) **LOC (7) Cl.** ..... **09-01**

(52) **U.S. Cl.** ..... **D9/320**

(58) **Field of Search** ..... D9/545, 546, 307,  
D9/320, 331, 544; 215/381-384

(56) **References Cited**

**U.S. PATENT DOCUMENTS**

D. 90,962 \* 10/1933 Soper ..... D9/307

D. 106,222 \* 9/1937 Terbey ..... D9/320

D. 124,856 \* 1/1941 Ganz ..... D9/320  
D. 154,263 \* 6/1949 Goldberg ..... D9/320  
D. 188,957 \* 10/1960 Nassour ..... D9/320  
D. 191,418 \* 9/1961 Nassour ..... D9/320  
D. 318,796 \* 8/1991 Cointreau ..... D9/320

\* cited by examiner

*Primary Examiner*—Terry A. Wallace

(74) *Attorney, Agent, or Firm*—Craig J. Lervick;  
Oppenheimer Wolff & Donnelly LLP

(57) **CLAIM**

The ornamental design for a perfume bottle, as shown and described.

**DESCRIPTION**

FIG. 1 is a perspective view of a perfume bottle showing my new design;

FIG. 2 is a front elevation view thereof;

FIG. 3 is a right side elevation view thereof;

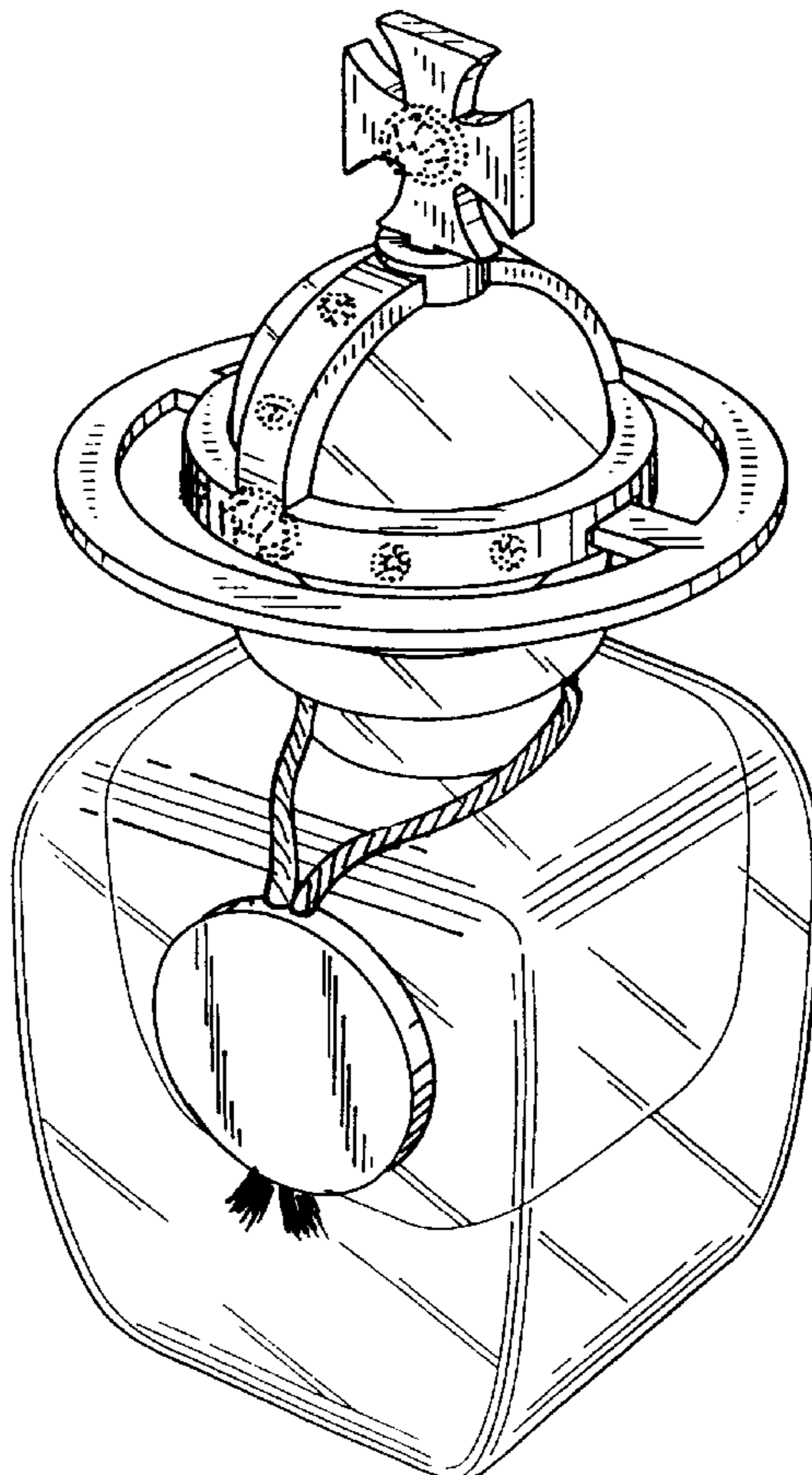
FIG. 4 is a top plan view thereof; and,

FIG. 5 is a bottom plan view thereof.

The broken lines are for illustrative purposes only and form no part of the claimed design.

The color shown on the claimed design forms no part thereof.

**1 Claim, 2 Drawing Sheets**



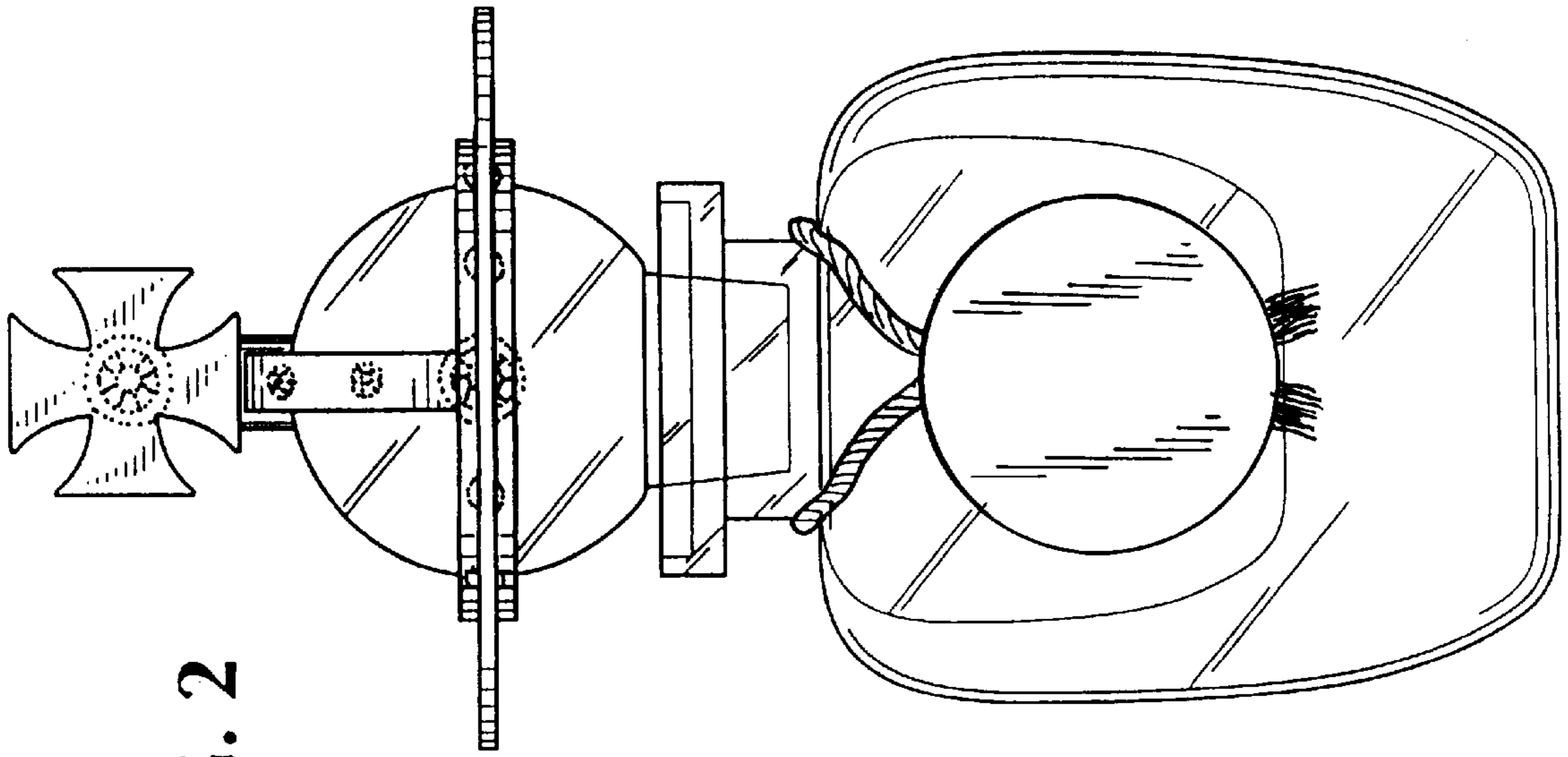


FIG. 2

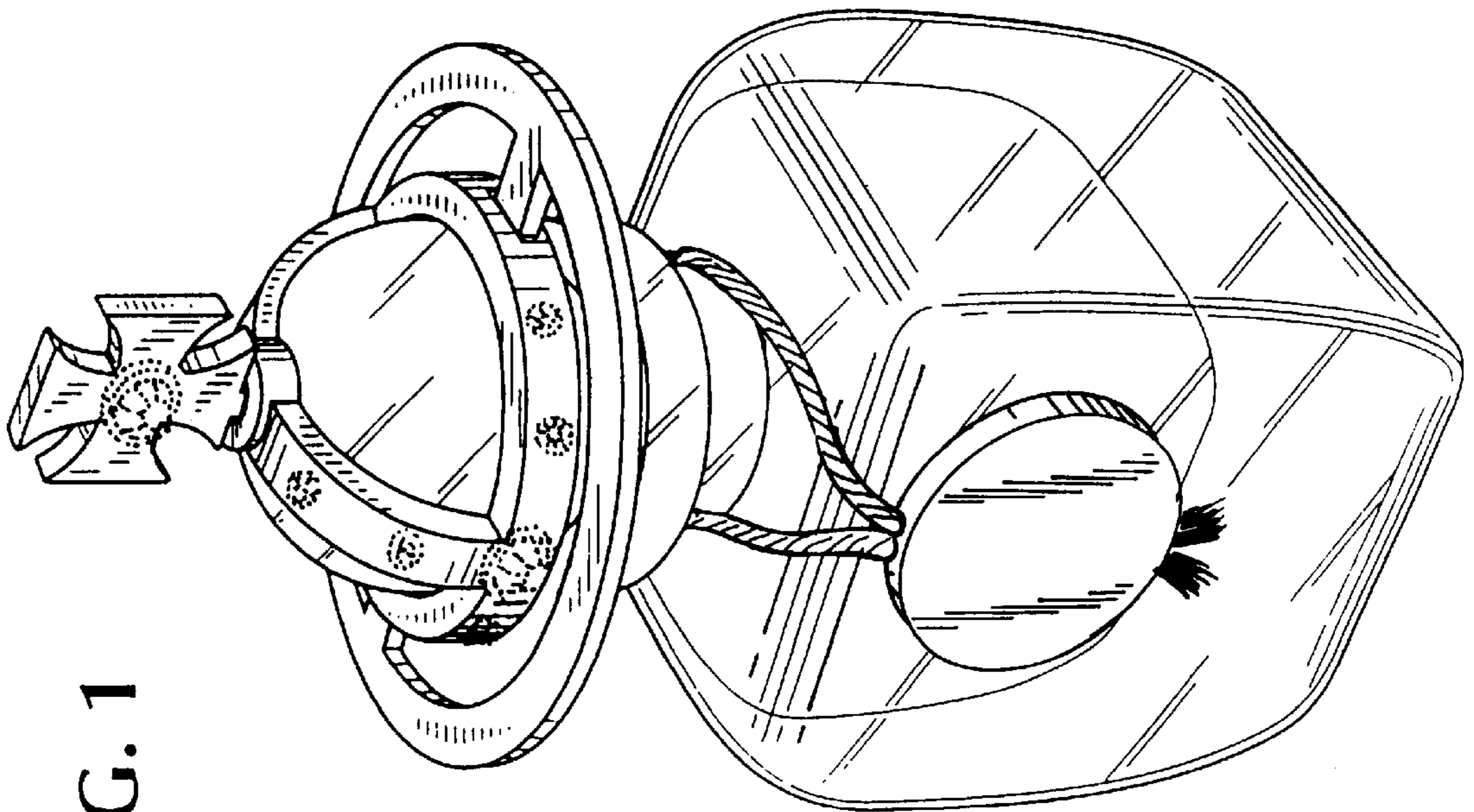


FIG. 1

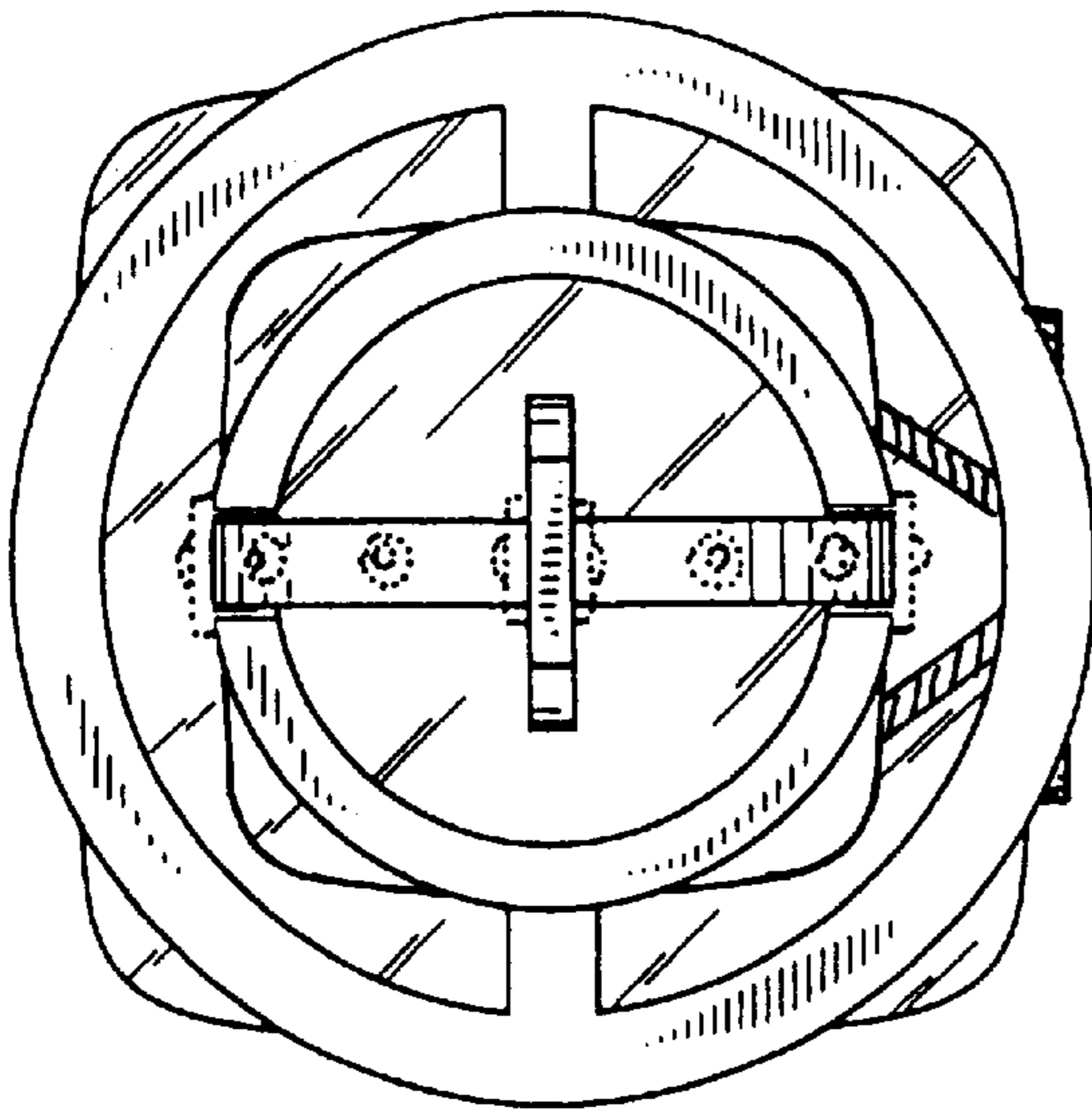


FIG. 4

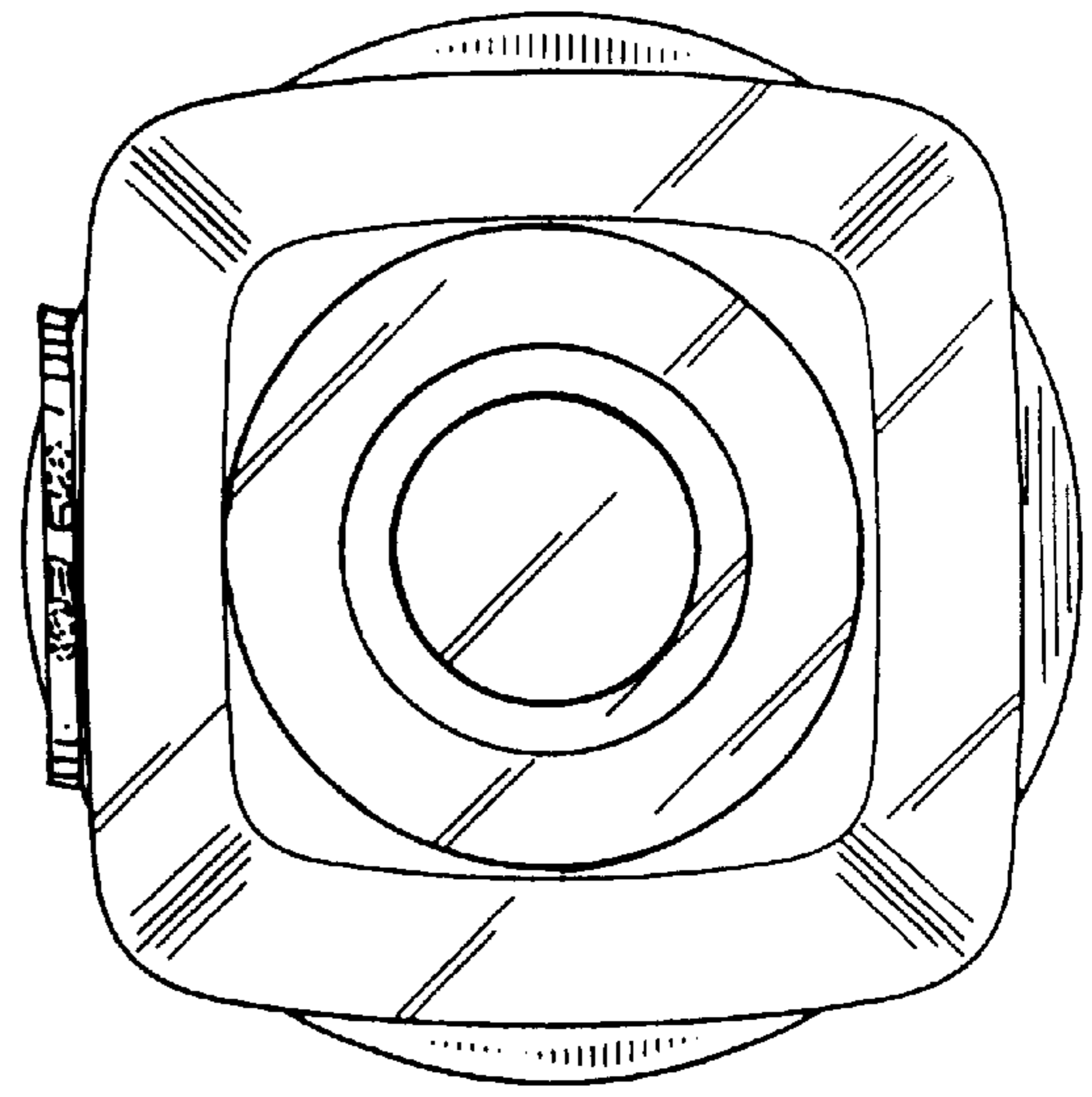


FIG. 5

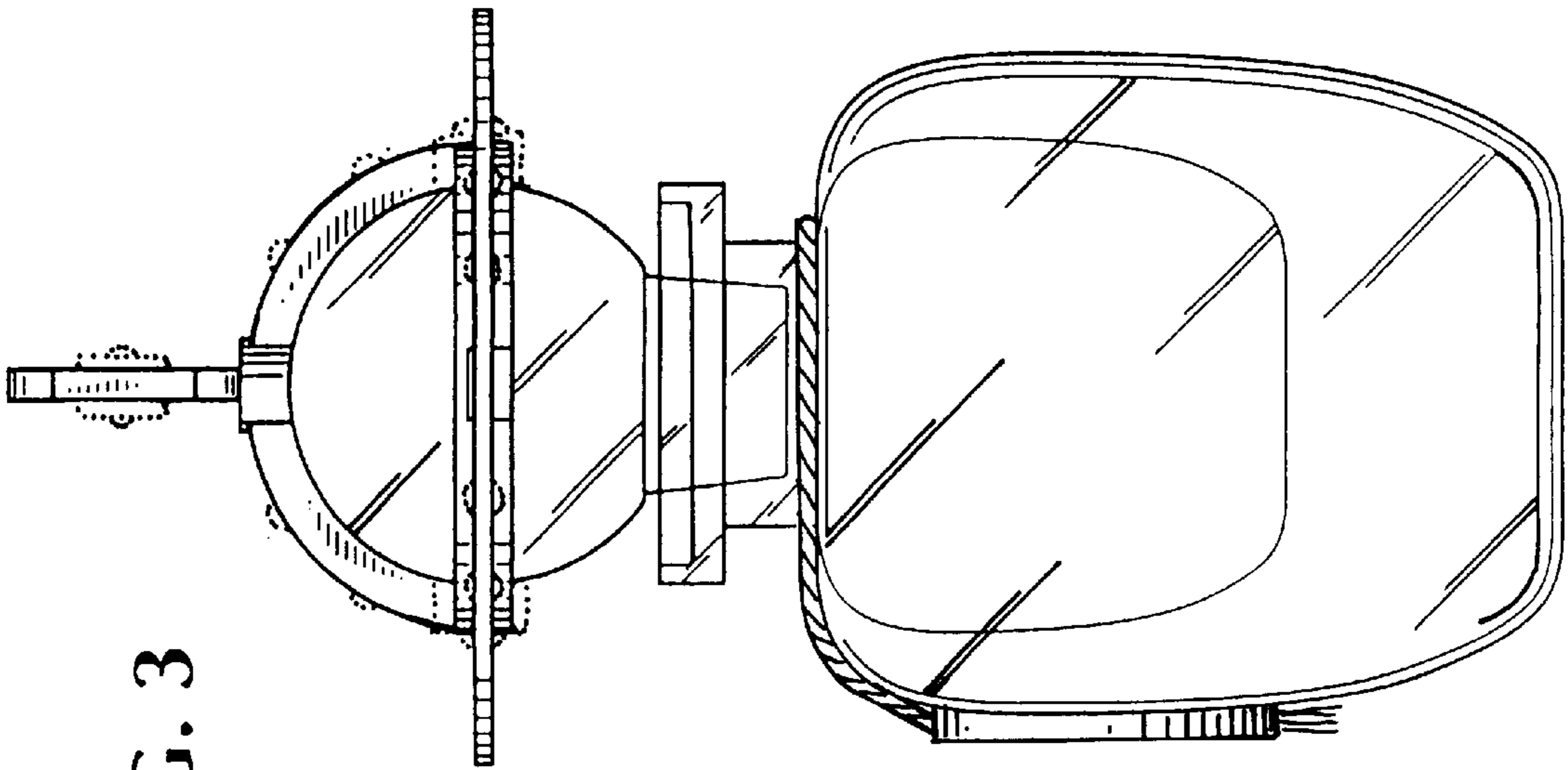


FIG. 3